



MPT3 SERIES
MPT3 MONOPOINT
INTEGRAL POWER SUPPLY
INSTALLATION INSTRUCTIONS



SCAN QR CODE FOR INSTRUCTIONS

WARNING: Read and understand these instructions completely before installation. To be installed by qualified electricians only. Products should be installed in accordance with these instructions, local electrical codes, and the National Electric Code (NEC). These products may represent a possible shock or fire hazard if improperly installed.

CAUTION: Disconnect power at circuit breaker or fuse panel before installation or servicing. Always allow LED assembly to cool before servicing. Do not connect or disconnect LED lamp module wire connector when fixture is energized as this may result in permanent damage to the LED. Do not install where insulation or ambient temperatures will exceed maximum values noted in product specifications. See www.8lighting.com for current product specifications.

NOTE: Number Eight Lighting fixtures are designed to meet the latest NEC requirements and are listed in full compliance with UL standards. Before attempting installation, check your local electrical code which sets the wiring standards and installation requirements for your locality and should be understood before starting work.

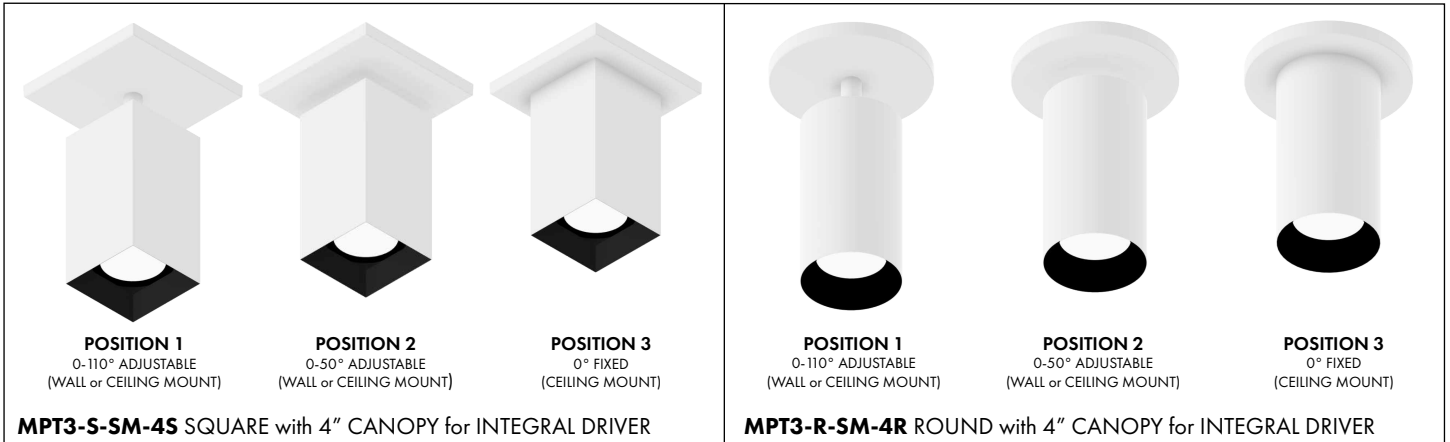
SAVE THESE INSTRUCTIONS.

TABLE OF CONTENTS

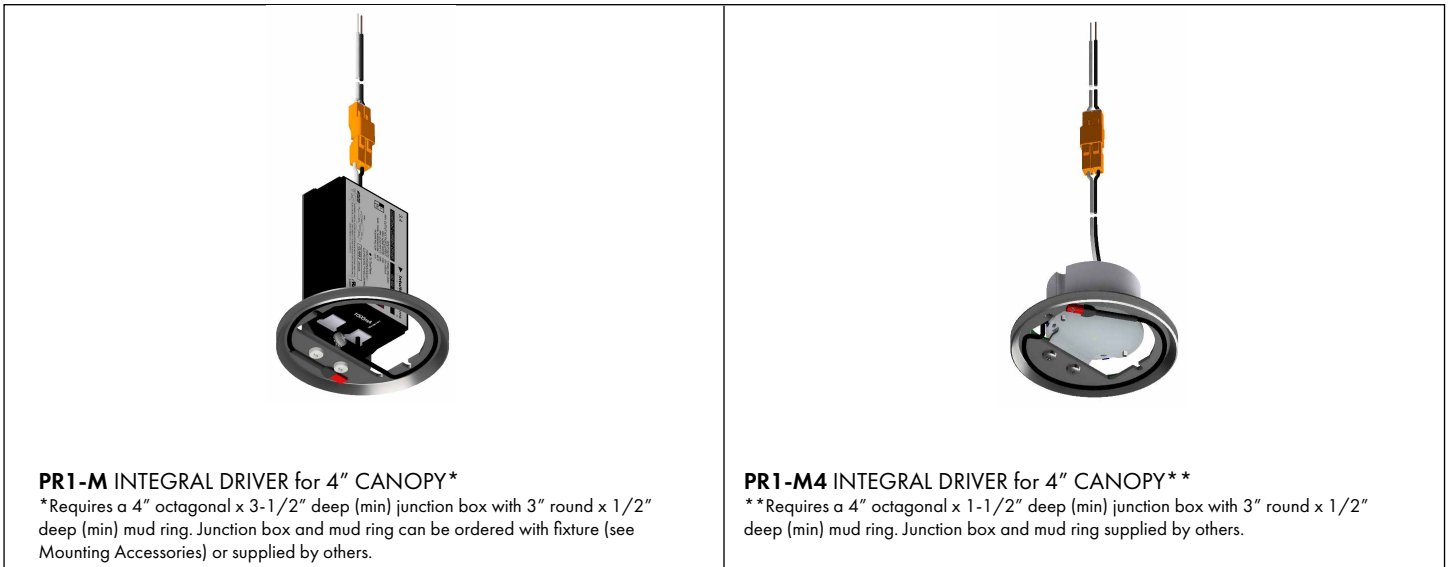
	PAGE
MPT3 SERIES COMPONENTS.....	1-2
MPT3 SERIES with 4" CANOPY INSTALLATION INSTRUCTIONS.....	3
MPT3 SERIES with 2.5" CANOPY INSTALLATION INSTRUCTIONS.....	4
MPT3 SERIES ADJUSTMENT & OPTIC/ACCESSORY REPLACEMENT.....	5
MPT3 SERIES WIRING INSTRUCTIONS - INTEGRAL POWER SUPPLY.....	6

MPT3 SERIES COMPONENTS

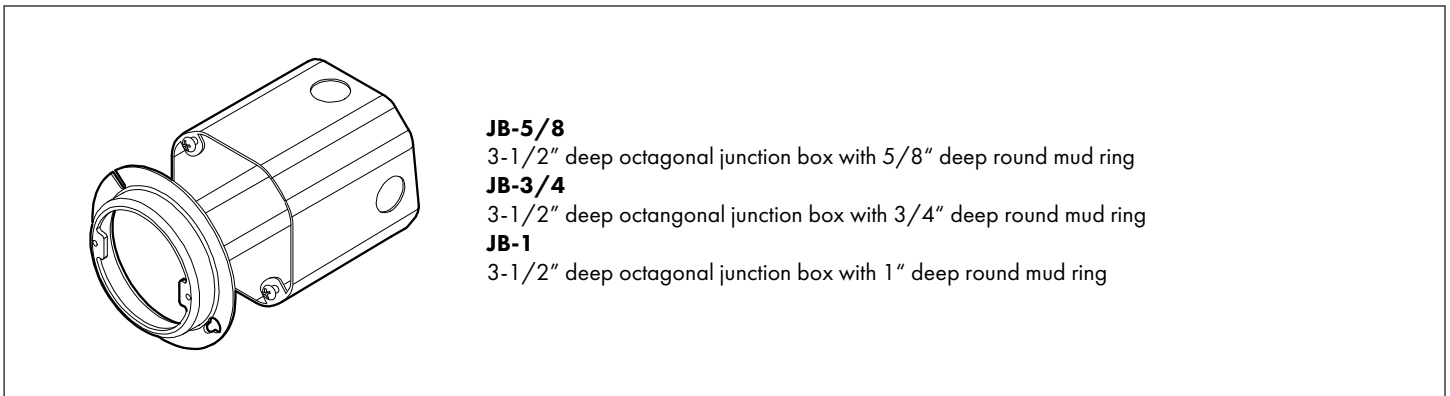
MPT3 SERIES - SURFACE MOUNT SQUARE and ROUND with 4" CANOPY for INTEGRAL DRIVER



MPT3 SERIES - INTEGRAL DRIVERS for CANOPY MODELS

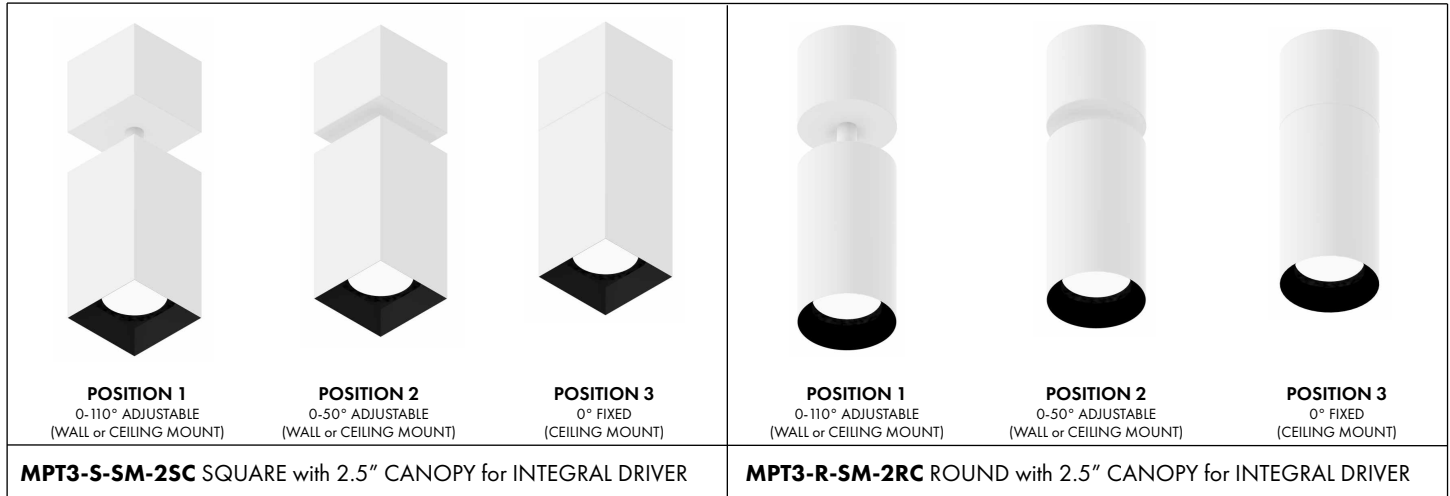


MPT3 SERIES - MOUNTING ACCESSORIES for 4" CANOPY MODELS with PR1-M DRIVER OPTION



MPT3 SERIES COMPONENTS

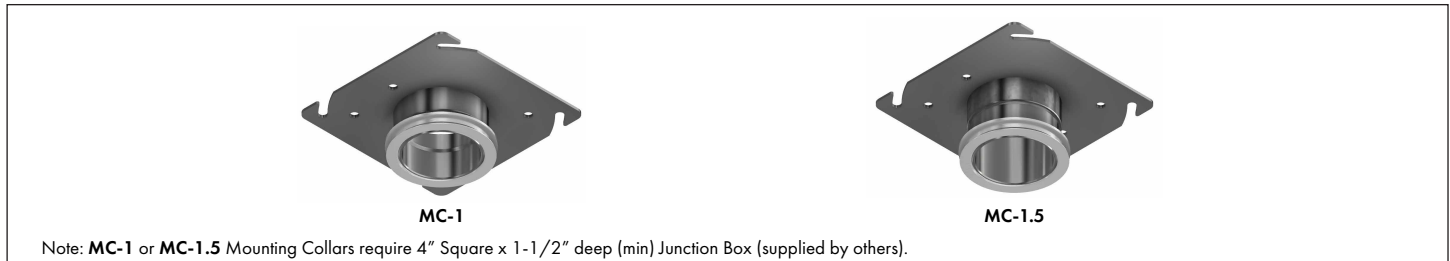
MPT3 SERIES - SURFACE MOUNT SQUARE and ROUND with 2.5" CANOPY for INTEGRAL DRIVER



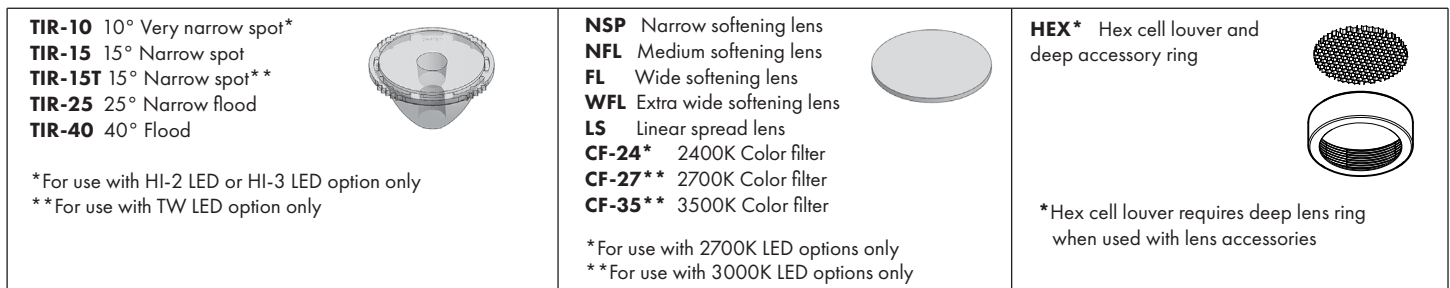
MPT3 SERIES - PR1-M2 INTEGRAL DRIVERS for 2.5" CANOPY MODELS *



MPT3 SERIES - MOUNTING ACCESSORIES for 2.5" CANOPY MODELS with **PR1-M2** DRIVER OPTION



MPT 3 SERIES - OPTIC OPTIONS + ACCESSORIES for ALL MODELS



MPT3 INTEGRAL SERIES -4" INSTALLATION INSTRUCTIONS

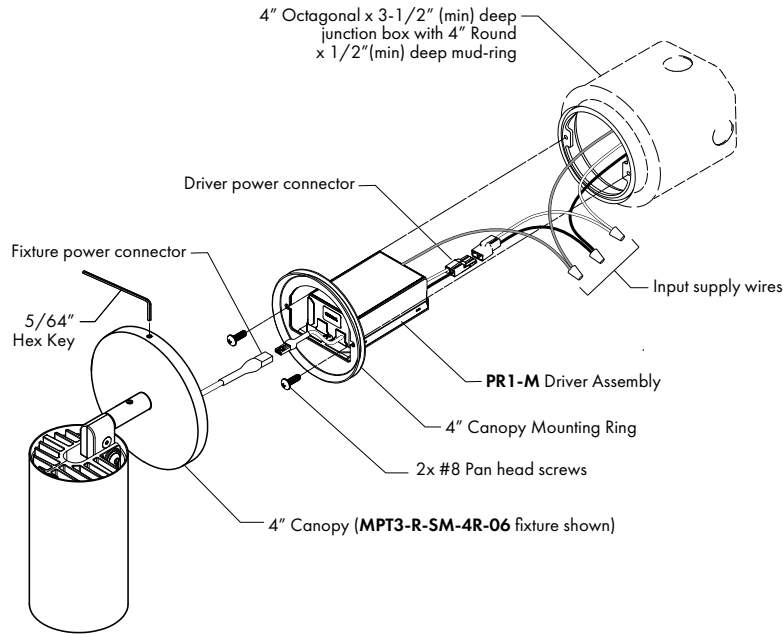
SURFACE MOUNT 4" CANOPY fo INTEGRAL DRIVER

STEP 1 Determine driver type and junction box requirements - **FIG 3.1 & FIG 3.3.**

STEP 2 After junction box installation, wire supplied female connector wires to supply wires according to wiring instructions on **Page 6.**

STEP 3 After ceiling or wall installation and wiring is complete, attach Driver power connector and install Driver Assembly to junction box mud ring - **FIG 3.3 & FIG 3.4.**

STEP 4 Connect Fixture Power Connector, position Fixture as desired and tighten set screw in Canopy - **FIG 3.2 & FIG 3.4.**



IMPORTANT: 4" Octagonal x 3-1/2" deep junction box with 4" Round x 1/2" (min) deep mud-ring required for **PR1-M** INTEGRAL Driver.

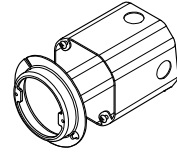
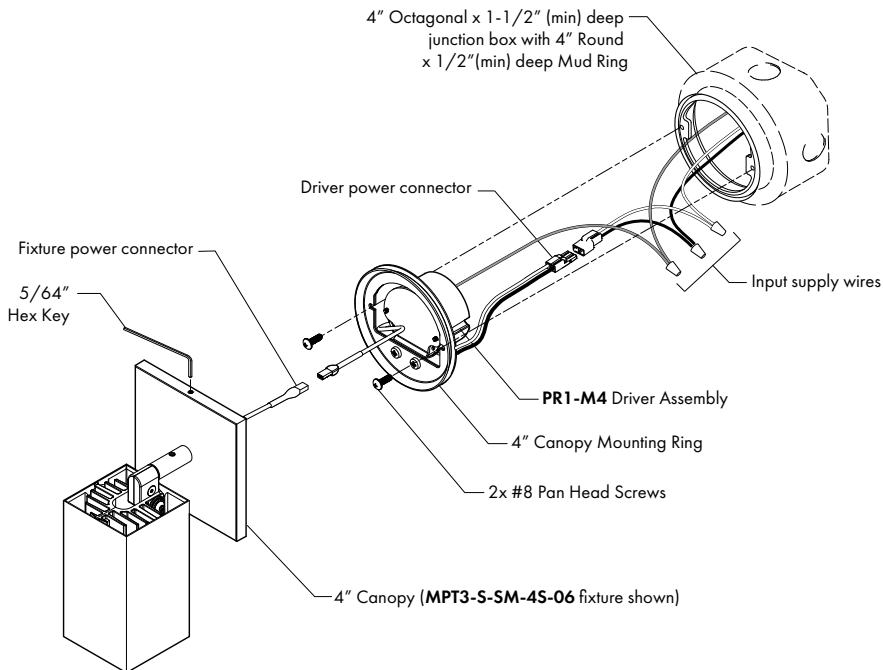


FIG 3.1 Junction Box Type Required

FIG 3.2 MPT3-S/R-4R/S Wire & Install Fixture with **PR1-M** Driver



IMPORTANT: 4" Octagonal x 1-1/2" (min) deep junction box with 4" Round x 1/2" (min) deep Mud Ring required for **PR1-M4** INTEGRAL Driver.

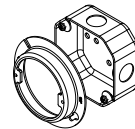


FIG 3.3 Junction Box Type Required

FIG 3.4 MPT3-S/R-4R/S Wire & Install Fixture with **PR1-M4** Driver

MPT3 SERIES - INSTALLATION INSTRUCTIONS

SURFACE MOUNT 2.5" CANOPY for INTEGRAL DRIVER

IMPORTANT:

- Installation must be by a qualified electrician only.
- Verify correct dimming system, LED type, power supply type and input supply requirements.
- Always allow LED assembly to cool before servicing.
- Do not install where insulation or ambient temperature will exceed maximum values noted in product specifications.
- See www.8lighting.com for current product specifications.

- STEP 1** Determine driver type & junction box requirements - **FIG 4.1**.
STEP 2 After junction box installation, wire supplied Female Connector wires to supply wires according to wiring instructions on **Page 6**.
STEP 3 Remove Mounting Collar from **MC Kit**, install Cover Plate to junction box and pull Female Connector through Cover Plate aperture - **FIG 4.2 & FIG 4.3**.
STEP 4 Make $\varnothing 2"$ hole in mounting surface & install mounting material centered over flange - **FIG 4.4**.
STEP 5 Install Mounting Collar to threaded Flange until tight against mounting surface and tighten thumb knob - **FIG 4.2**.
STEP 6 Attach Driver power connector and install Fixture while moving wiring into junction box - **FIG 4.5**.
STEP 7 Position Fixture Canopy over Mounting Collar as desired & tighten set screw in Canopy - **FIG 4.6**.

IMPORTANT: 1-1/2" (min) deep x 4" square junction box required for **PR1-M2 INTEGRAL Driver** with **MC1** or **MC1.5** mounting accessories.

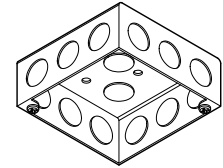


FIG 4.1 Junction Box Type Required

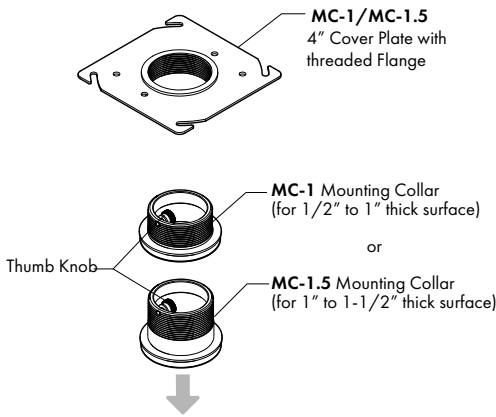


FIG 4.2 Remove Mounting Collar

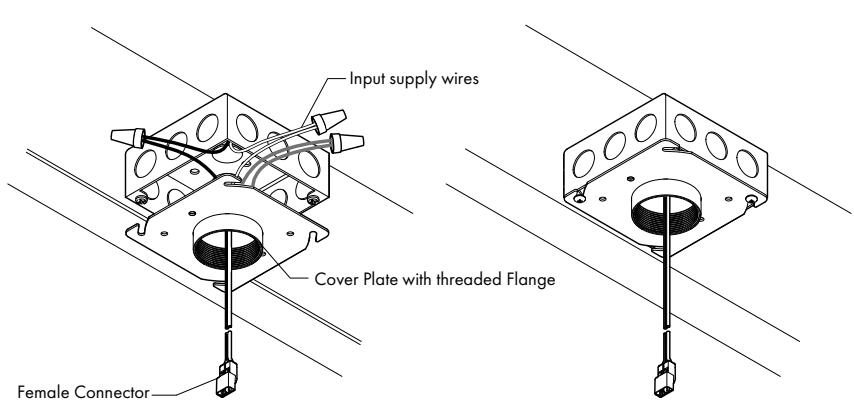


FIG 4.3 Wire Connector & Install Cover to Junction Box

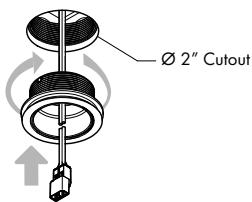


FIG 4.4 Install & Secure Mounting Collar

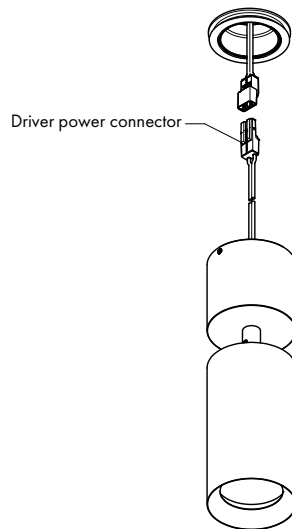


FIG 4.5 Make Fixture Wire Connection

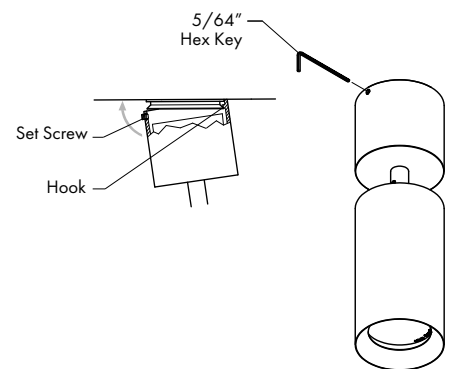
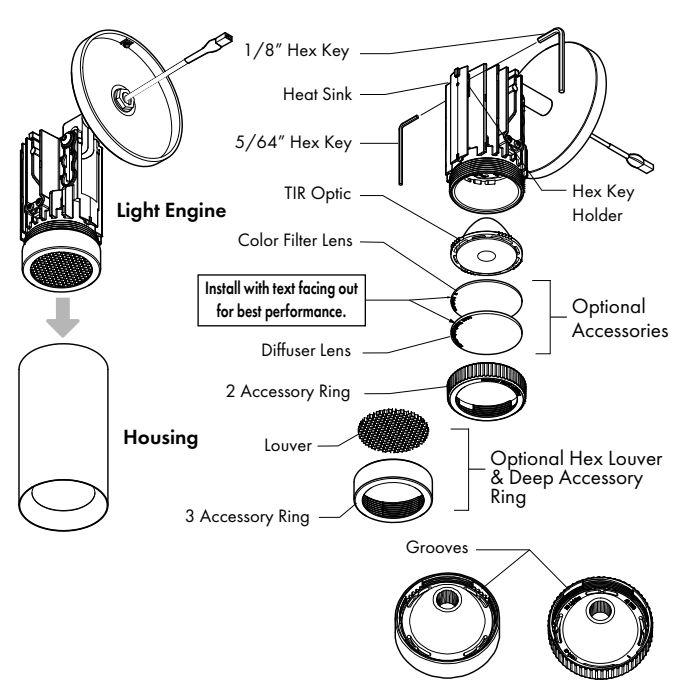
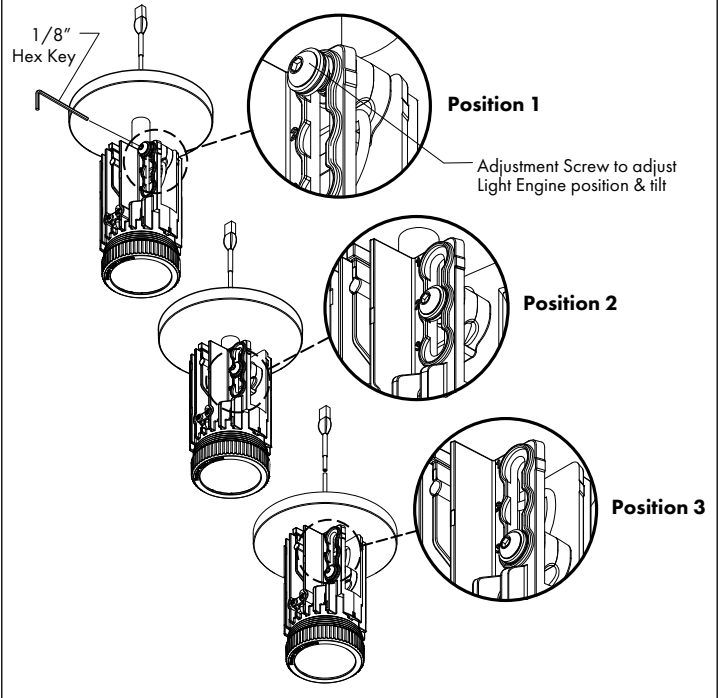
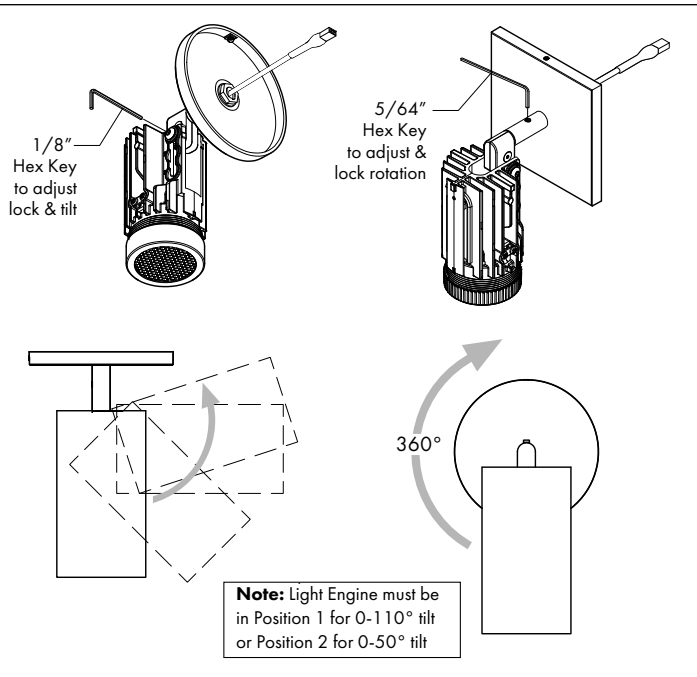
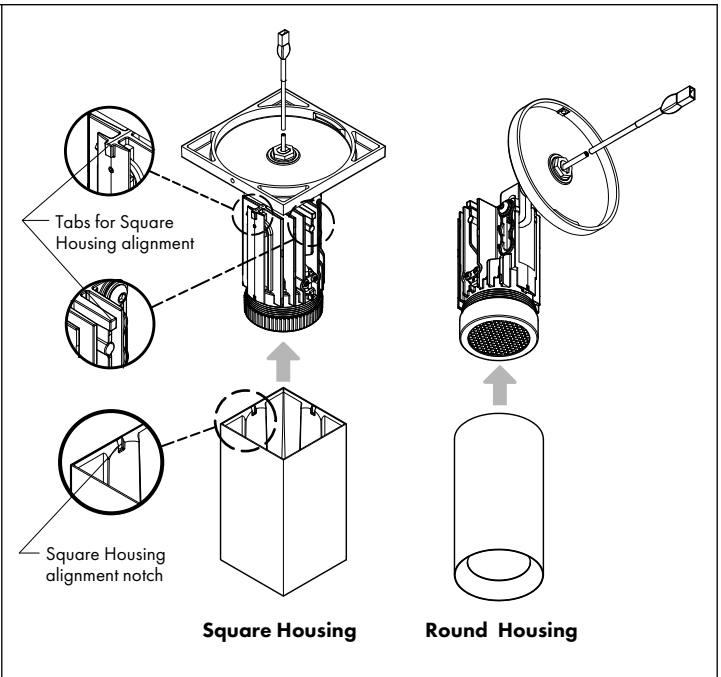


FIG 4.6 Secure Fixture to Mounting Surface

MPT3 INTEGRAL SERIES - ADJUSTMENT & OPTIC/ACCESSORY REPLACEMENT

MPT3 SERIES Install Accessories and Adjust	
 <p>Light Engine</p> <ul style="list-style-type: none"> 1/8" Hex Key Heat Sink 5/64" Hex Key TIR Optic Color Filter Lens Diffuser Lens 2 Accessory Ring Louver 3 Accessory Ring Grooves <p>Housing</p> <ul style="list-style-type: none"> Optional Accessories Optional Hex Louver & Deep Accessory Ring <p>Install with text facing out for best performance.</p>	 <p>Position 1</p> <p>Adjustment Screw to adjust Light Engine position & tilt</p> <p>Position 2</p> <p>Position 3</p>
<p>FIG 5.1 Replace Optic & Accessory Assembly</p> <ol style="list-style-type: none"> Slide Housing away from Light Engine to expose Accessory Ring. Rotate & remove Accessory Ring from Light Engine to access Optic and accessories. Remove optic and accessories from Accessory Ring by pressing Optic upward. Re-install accessories and Optic into Accessory Ring by aligning optic teeth with Accessory Ring grooves and fully pressing Optic teeth into grooves. Rotate and re-install accessory Ring onto Light Engine. Re-install housing as shown in FIG 5.4. 	<p>FIG 5.2 Adjust Light Engine and Housing Position</p> <ol style="list-style-type: none"> Slide Housing away from Light Engine to expose Hex Keys as shown in - FIG 5.1. Use 1/8" Hex Key to loosen Light Engine Adjustment Screw - do not remove. Move Light Engine into the desired position. Tighten Light Engine adjustment screw and replace 1/8" Hex Key into Holder. Re-install Housing as shown in FIG 5.4.
 <p>1/8" Hex Key to adjust lock & tilt</p> <p>5/64" Hex Key to adjust & lock rotation</p> <p>360°</p> <p>Note: Light Engine must be in Position 1 for 0-110° tilt or Position 2 for 0-50° tilt</p>	 <p>Tabs for Square Housing alignment</p> <p>Square Housing alignment notch</p> <p>Square Housing</p> <p>Round Housing</p>
<p>FIG 5.3 Tilt & Rotation Adjustment</p> <ol style="list-style-type: none"> Slide Housing away from Light Engine to expose Hex Keys as shown in FIG 5.1. Use 1/8" Hex Key to adjust and lock tilt. Replace after use. Use 5/64" Hex Key to adjust and lock rotation. Replace after use. Re-install housing as shown in FIG 5.4. 	<p>FIG 5.4 Install Housing</p> <ol style="list-style-type: none"> Square Housing: Ensure housing alignment notches align with light engine alignment tabs and slide Housing onto Light Engine until Housing clicks into place. Round Housing: Slide Housing onto Light Engine until housing clicks into place.

WIRING INSTRUCTIONS

For PR1-M-350/1000/1400 and PR1-M2/M4-350/1000 Driver Options

CAUTION: TO AVOID RISK OF FIRE OR ELECTRIC SHOCK

Turn off power at circuit breaker or fuse panel and read instructions completely before proceeding.
Failure to follow instructions may void warranty. Save these instructions.

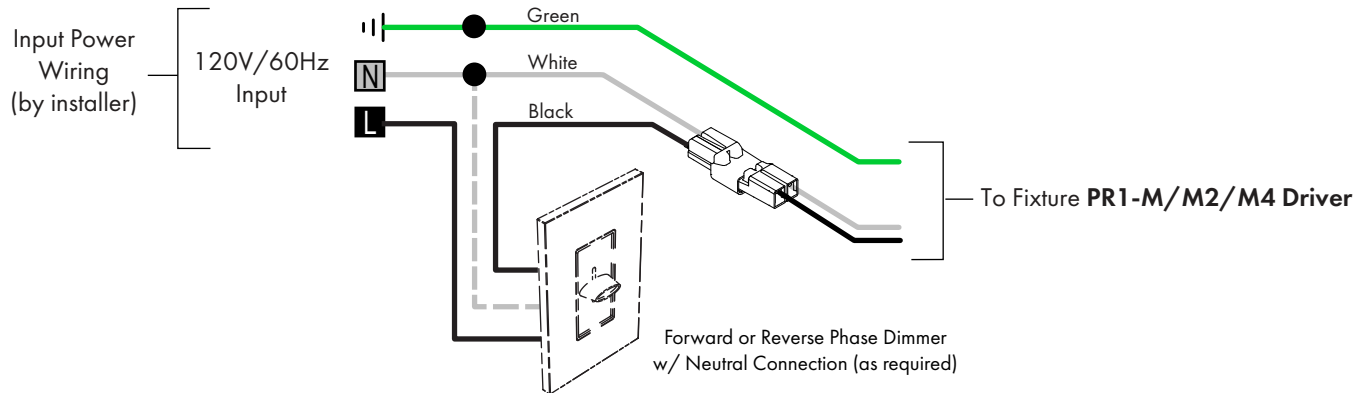
- Installation must be by a qualified electrician only and must conform to National Electric code and local regulations.
- Verify correct dimming system, lamp module, power supply type, and input supply requirements.
- Always allow LED assembly to cool before servicing.
- Do not install where insulation or ambient temperatures will exceed maximum values noted in product specifications.
See www.8lighting.com for current product specifications.

STEP 1 Verify correct power supply model (see label on cover plate), LED type (see label on fixture) and input requirements (see label on driver).

STEP 2 Connect supply & ground wires following Wiring Diagram - **FIG 6.1**.

STEP 3 Push all wires & connections completely inside junction box.

PR1-M/M2/M4 - PHASE CONTROL



Phase Control Notes:

PR1 drivers are Forward or Reverse Phase dimmable.

NOTE: For compatible dimmers for use with PR1 drivers, refer to www.8lighting.com/resources-downloads.

FIG 6.1 Wiring Diagram



www.8lighting.com

Number Eight Lighting Company

526 Portal Street, Cotati, CA 94931

Phone (707) 794-0888 • Email customerservice@8lighting.com