


**200-HD-S NEW CONSTRUCTION ADJUSTABLE LED  
FLS-2/FLS-2-BV/FLS-2-WW TRIMS  
NON-IC/IC-CP RATED HOUSINGS**

Project Name	
Date	Type
Prepared By	
Comments	
Catalog # <b>200-HD-</b> -    -    -    /    -    /	
-    -    -    /    -	




**eight**  
LIGHTING

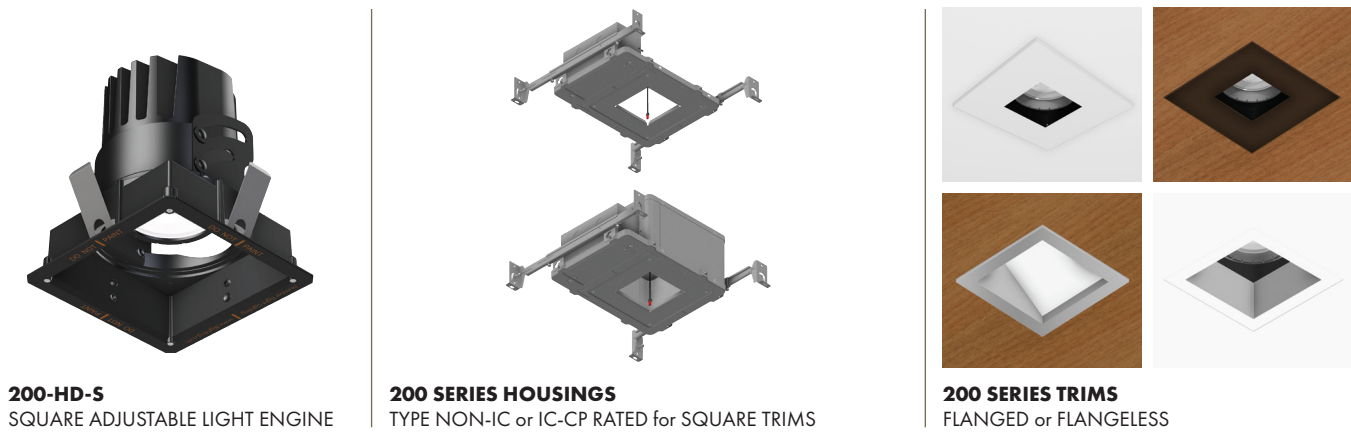
526 Portal Street  
Cotati, CA 94931  
USA  
P 707.794.0888  
www.8lighting.com

All No. 8 Lighting fixtures and components are UL Listed to both U.S. and Canadian requirements. No. 8 Lighting trims and lamp modules are protected by one or more U.S. Patents. No. 8 Lighting reserves the right to change details of design, materials, and finish.

© 2026 No. 8 Lighting  
Doc # 91414-13.8



**PRODUCT FEATURES**




**200-HD-S SPECIFICATION SUMMARY**

	Static White				Warm Dimming		
	HI-2700	HI-3000	HI-3500	HI-4000	WD	WD-2	WD-4
LED Option	HI-2700	HI-3000	HI-3500	HI-4000	WD	WD-2	WD-4
Delivered Lumens	1597/1942	1666/2026	1698/2065	1751/2130	747	738	855
System Wattage	19.5/26	19.5/26	19.5/26	19.5/26	14.5	14.5	14.5
Efficacy	82/75	85/79	87/80	90/83	51	50	59
CRI	94	94	94	94	97	97	95
R9	62	64	67	71	81	78	69
CCT	2700K	3000K	3500K	4000K	3000-1800K	2800-2200K	3000-2200K
Color Consistency	2-Step				3-Step		
Optical Options	15, 25, 40, 60				15-NFL, 25-NFL, 40-NFL, 60-NFL		
Optical Accessories	Narrow, Medium, Wide, Extra Wide, Linear Spread				N/A		
Adjustability	0-30° Tilt, 360° Rotation, Lockable						
Driver Options	1% Forward/Reverse Phase (120v), 0.1/1/5% 0-10v (120-277v), 0.1/1% DALI (120-277v), 0.1/1% EcoSystem (120 or 277v)						
Trim Options	Square Flat, Square Bevel, Square Wall-Wash						
Finish Options	White, Oil-Rubbed Bronze, Satin Aluminum, Satin Aluminum w/ White Flange						
Trim Mounting Options	Flanged, Flangeless Sheetrock, Flangeless Wood/Stone						
Trim Accessories	UL Wet Listed Lens Options - Clear, Soft Focus						
Housing Options	New Construction: Type Non-IC, Type IC-CP Rated CCEA Approved Air-Tight						

Performance data shown with FLS-2-BV Trim.  
Warm Dimming data shown for 3000K and 2800K.  
See Performance Summaries for additional information.

PRODUCT SPECIFIER/PRODUCT ORDER NUMBER

**200-HD-**

LIGHT ENGINE OPTIONS	LED OPTIONS	OPTIC OPTIONS	OPTICAL ACCESSORIES / (Optional)*	DRIVER OPTIONS	OUTPUT
 <p>Adjustable NEW CONSTRUCTION Light Engine with 0-30° tilt and 360° rotation for SQUARE BEVEL, FLAT, or WALL WASH trim</p> <p><b>200-HD-S</b> For use with HI LED Options and NIC Housing Options</p> <p><b>200-HD-IC-S</b> For use with HI LED Options and IC-CP Housing Options</p> <p><b>200-HD-WD-S</b> For use with WD LED Options and NIC or IC-CP Housing Options</p>	<p><b>HI-2700</b> 2700K 94 CRI White</p> <p><b>HI-3000</b> 3000K 94 CRI White</p> <p><b>HI-3500</b> 3500K 94 CRI White</p> <p><b>HI-4000</b> 4000K 94 CRI White</p> <p><b>WD</b> 3000-1800K 97 CRI Warm Dim</p> <p><b>WD-2</b> 2800-2200K 97 CRI Warm Dim</p> <p><b>WD-4</b> 3000-2200K 95 CRI Warm Dim</p>	<p><b>15*</b> Narrow Spot</p> <p><b>25*</b> Narrow Flood</p> <p><b>40*††</b> Flood</p> <p><b>60*††</b> Wide Flood</p> <p><b>15-NFL-WD†</b> Spot</p> <p><b>25-NFL-WD†</b> Narrow Flood</p> <p><b>40-NFL-WD†</b> Flood</p> <p><b>60-NFL-WD†</b> Wide Flood</p> <p>*For use with HI LED options and FLAT or BEVEL trim. ††For use with HI or WD LED options and WALL WASH trim. †For use with WD LED options and FLAT or BEVEL trim.</p>	<p><b>NSP</b> Narrow Softening Lens</p> <p><b>NFL</b> Medium Softening Lens</p> <p><b>FL</b> Wide Softening Lens</p> <p><b>WFL</b> Extra Wide Softening Lens</p> <p><b>LS</b> Linear Spread Softening Lens</p> <p>*For use with HI LED options and FLAT or BEVEL trim.</p>	<p><b>DIM1-2</b> Forward or Reverse-Phase 1% Dimming</p> <p><b>DIM2-2*</b> 0-10v 5% Dimming</p> <p><b>EL1-2</b> EldoLED 0-10v 1% Dimming</p> <p><b>EL1-01-2</b> EldoLED 0-10v 0.1% Dimming</p> <p><b>EL2-2</b> EldoLED DALI 1% Dimming</p> <p><b>EL2-01-2</b> EldoLED DALI 0.1% Dimming</p> <p><b>LU2-2</b> Lutron Hi-Lume LDE1 EcoSystem 1% Dimming</p> <p><b>LU4-2**</b> Lutron Hi-Lume PEQ0E EcoSystem 0.1% Dimming</p> <p>*Not available with 350 output option. **Not available with 650 output option.</p>	<p><b>350</b> Standard output for WD LED Options and NIC or IC-CP Housing Options</p> <p><b>500</b> High output for HI LED and IC-CP Housing Options</p> <p><b>650</b> High output for HI LED and NIC Housing Options</p>

TRIM OPTIONS	TRIM FINISH	TRIM MOUNTING ACCESSORIES (Optional)	TRIM ACCESSORIES / (Optional)	HOUSING OPTIONS	MOUNTING OPTIONS
<p><b>FLS-2</b> 4-1/4" SQUARE FLAT trim with 1-7/8" aperture</p> <p><b>FLS-2-BV</b> 4-1/4" SQUARE BEVEL trim with 2-1/4" aperture</p> <p><b>FLS-2-WW*</b> 4-1/4" SQUARE WALL WASH trim with 2-3/4" angle-cut aperture and wall wash lens</p> <p>*UL Wet listed. Use with 40° or 60° optic option.</p>	<p><b>WH</b> WHITE</p> <p><b>OB*</b> OIL-RUBBED BRONZE</p> <p><b>SA*†</b> SATIN ALUMINUM</p> <p><b>SAWH*†</b> SATIN ALUMINUM with WHITE flange</p> <p>*Specialty finish †Not available with FLAT trim option.</p>	<p><b>FS-2*</b> SQUARE FLANGELESS trim accessory for flush mounting FLS-2, FLS-2-BV, or FLS-2-WW trims in sheetrock ceiling applications</p> <p>*For use with NIC-FS or IC-CP-FS housing options only.</p>	<p><b>CL2*</b> CLEAR lens</p> <p><b>SF2*</b> SOFT FOCUS lens</p> <p>*UL Wet listed. Not for use with FLR-2-WW trim options.</p>	<p><b>NIC-S*</b> Type Non-IC for SQUARE flanged trim applications</p> <p><b>NIC-FS*†</b> Type Non-IC for SQUARE flangeless trim in sheetrock applications</p> <p><b>NIC-FS-W*</b> Type Non-IC for SQUARE flangeless trim in wood/stone applications</p> <p><b>IC-CP-S**</b> Type IC Chicago Plenum Rated for SQUARE flanged trim applications</p> <p><b>IC-CP-FS**†</b> Type IC Chicago Plenum Rated for SQUARE flangeless trim in sheetrock applications</p> <p><b>IC-CP-FS-W**</b> Type IC Chicago Plenum Rated for SQUARE flangeless trim in wood/stone applications</p> <p>*For use with 350 or 650 output options only. **For use with 350 or 500 output options only. †Requires FS-2 flangeless trim accessory.</p>	<p><b>BH</b> Bar Hangers for joist mounting</p> <p><b>BB</b> Butterfly Brackets for c-channel or bar mounting</p> <p><b>TBC-BH</b> T-Bar Mounting Clips + Bar Hangers for T-Bar mounting</p> <p><b>PMB</b> Panel Mounting Brackets (set of two) for direct mounting to wood panels</p>

**Light Engine, LED, Optic Option, and Accessory Notes**

200-HD-S Adjustable NEW CONSTRUCTION light engine with 0-30° tilt and 360° rotation for SQUARE BEVEL, FLAT, or WALL WASH trim. Use for adjustable accent, wall wash, and general lighting applications. To ensure fixture to fixture color consistency, use of the same LED option with adjacent fixtures is recommended. One field interchangeable optic option included standard. Up to one additional optical accessory can be accommodated.

**Driver and Output Option Notes**

0-10v driver options are configured for linear control. DALI driver options are configured for logarithmic control. No.8 Lighting conducts extensive testing to establish compatibility with many dimmer types. For a complete list of compatible dimmers, see [8lighting.com/resources-downloads](http://8lighting.com/resources-downloads). Outputs vary depending on LED type, trim type, and optical accessories used. For photometric files in PDF and IES formats, see: [8lighting.com/200-series-photometry](http://8lighting.com/200-series-photometry).

**Trim Finish and Accessory Notes**

White trim finish is field paintable to match ceiling color. Lot variations may occur with specialty finishes. Ordering ALL trim kits at the same time is recommended to minimize finish variations. Trim lens accessories are factory installed into trim plates and are UL WET LISTED and rated for use in DRY, DAMP, or WET locations (covered ceiling applications only). Approved for use in residential steam applications. Not for use in commercial steam applications.

**Housing and Installation Notes**

Type Non-IC housings are rated for installations where insulation is held back a minimum of 3" away from sides and top. Type IC-CP housings are rated for direct contact with standard or spray-foam thermal insulation with a max combined R-Value of R42. Type IC-CP housings meet Washington State Airtight Standard WAC 51-11-0502 and in accordance with ASTM E283 to reduce energy loss and are CCEA plenum rated for City of Chicago environmental air spaces. For installations in direct contact with thermal insulation, ambient temperatures in ceiling space should not exceed 25°C (77°F) during normal operation. For installations where insulation is held back a minimum of 3" from sides and top, ambient temperatures in ceiling space should not exceed 40°C (104°F) during normal operation.

**Warranty**

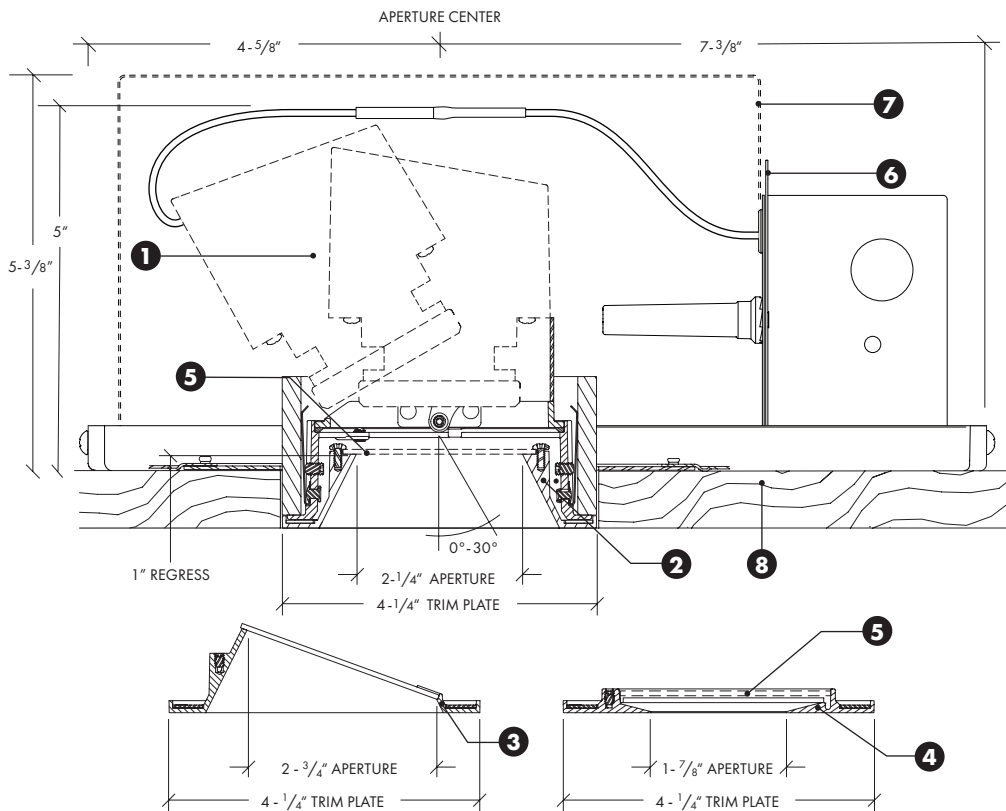
All No. 8 Lighting products are covered by a 5 year limited warranty. Products installed in residential steam applications are covered by a 2 year limited warranty. For specific warranty details and limitations, see: [8lighting.com/resources-downloads](http://8lighting.com/resources-downloads).

**JAB-2025 CA Title 24 Compliant** except with Type Non-IC housing options: **NIC-S, NIC-FS, and NIC-FS-W.**



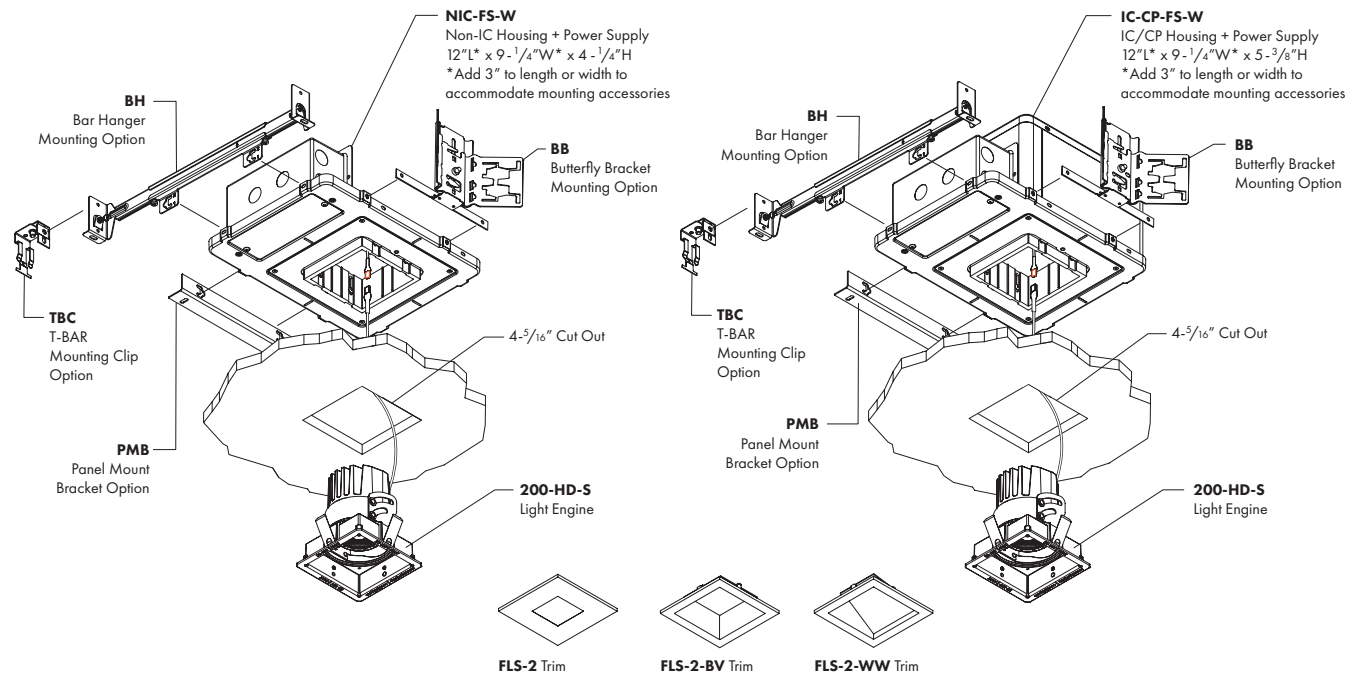


**200-HD-S + NIC-FS-W and IC-CP-FS-W with FLANGELESS TRIM INSTALLATION for WOOD/STONE CEILINGS**



- 1) **200-HD-S** Adjustable SQUARE Light Engine
- 2) **FLS-2-BV** Flanged SQUARE BEVEL Trim
- 3) **FLS-2-WW** Flanged SQUARE WALL WASH Trim
- 4) **FLS-2** Flanged SQUARE FLAT Trim
- 5) **CL2/SF2** (Optional) Clear or Soft Focus lens rated for use in DRY, DAMP, or WET locations (covered ceiling applications only)
- 6) **NIC-FS-W** Type Non-IC housing and power supply for SQUARE light engine and FLANGELESS trim in wood/stone ceiling applications
- 7) **IC-CP-FS-W** (shown dashed) Type IC Rated/Air-tight/CCEA approved housing and power supply for SQUARE light engine and FLANGELESS trim in wood/stone ceiling applications
- 8) **Ceiling Material** (Wood/Stone) Accommodates ceiling thicknesses from 1/2" (min) to 1-1/2" (max) without affecting aiming or rotation

**200-HD-S + NIC-FS-W and IC-CP-FS-W with FLANGELESS TRIM INSTALLATION for WOOD/STONE CEILINGS**



**CEILING TYPES:** Wood/Stone | **CEILING THICKNESS:** 1/2" Min to 1-1/2" Max | **CUT-OUT:** 4-5/16" x 4-5/16"

## 200-HD-S w/ FLS-2-BV TRIM - PERFORMANCE SUMMARY

LED	OUTPUT	CCT	CRI	R9	Delivered Lumens	System Wattage	Delivered LPW
HI-2700	650	2700K	94	62	1630 - 1942	26	62 - 75
HI-2700	500	2700K	94	62	1322 - 1597	19.5	68 - 82
HI-3000	650	3000K	94	64	1701 - 2026	26	65 - 79
HI-3000	500	3000K	94	64	1379 - 1666	19.5	71 - 85
HI-3500	650	3500K	94	67	1733 - 2065	26	66 - 80
HI-3500	500	3500K	94	67	1405 - 1698	19.5	72 - 87
HI-4000	650	4000K	94	71	1787 - 2130	26	68 - 83
HI-4000	500	4000K	94	71	1449 - 1751	19.5	74 - 90
WD	350	3000-1800K	97	81	665 - 747	14.5	46 - 51
WD-2	350	2800-2200K	97	78	662 - 738	14.5	45 - 50
WD-4	350	3000-2200K	95	69	709 - 855	14.5	49 - 59

Performance range for HI LED with 15°, 25°, 40°, and 60° optic options.

Performance range for WD and WD-4 LED at 3000K and WD-2 LED at 2800K with 15-NFL-WD, 25-NFL-WD, 40-NFL-WD, and 60-NFL-WD optic options.

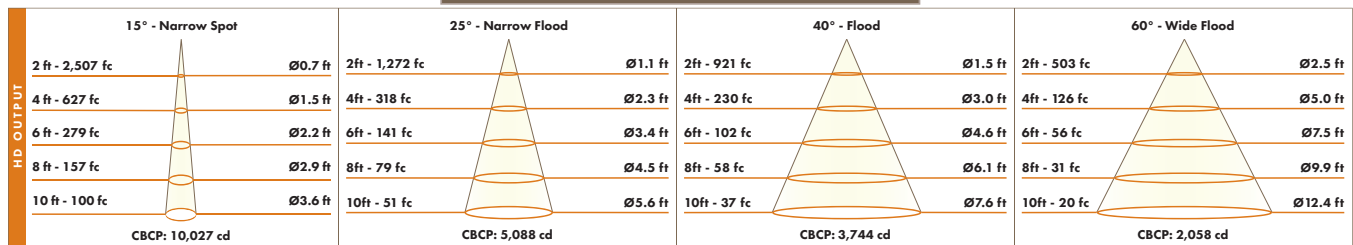
## 200-HD-S w/ FLS-2-BV TRIM - OPTICAL OPTIONS AND ACCESSORY PERFORMANCE SUMMARY

HI-2700, HI-3000, HI-3500, & HI-4000 LED							WD, WD-2, & WD-4 LED	
OPTIC OPTIONS	BEAM ANGLE	BEAM ENHANCING LENS (OPTIONAL)*					OPTIC OPTIONS	BEAM ANGLE
		+ NSP	+ NFL	+ FL	+ WFL	+ LS		
15 Narrow Spot	19°	21°	29°	50°	63°	20 x 49°	15-NFL-WD Spot	29°
25 Narrow Flood	30°	32°	36°	58°	71°	30 x 55°	25-NFL-WD Narrow Flood	37°
40 Flood	38°	39°	42°	n/a	n/a	n/a	40-NFL-WD Flood	44°
60 Wide Flood	61°	61°	61°	n/a	n/a	n/a	60-NFL-WD Wide Flood	62°

\*Beam enhancing lens used in combination with HI LED option and 15°, 25°, 40°, or 60° optic to achieve desired beam spread.

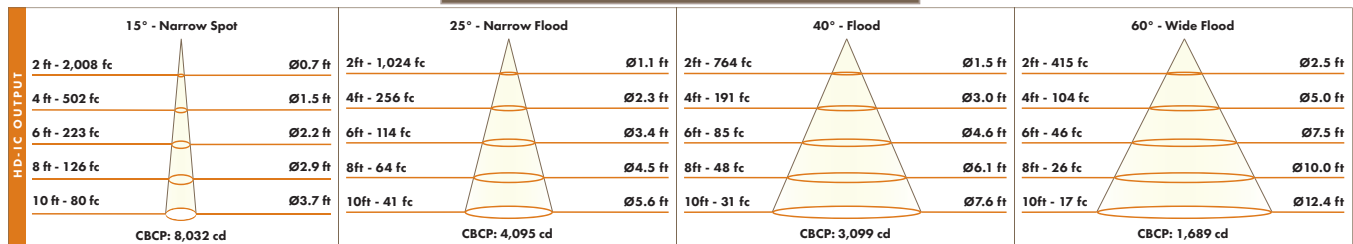
## 200-HD-S w/ FLS-2-BV TRIM - CONE OF LIGHT DIAGRAMS

### 200-HD-S-HI-3500/650/FLS-2-BV-WH



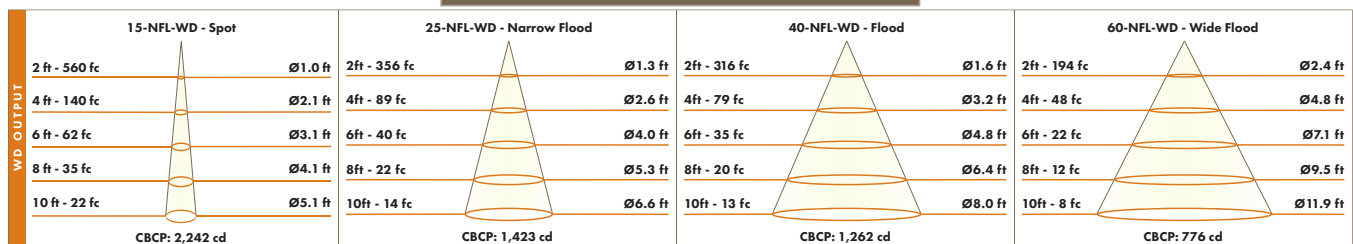
Performance shown for 3500K. Output varies by CCT.

### 200-HD-IC-S-HI-3500/500/FLS-2-BV-WH



Performance shown for 3500K. Output varies by CCT.

### 200-HD-WD-S-WD/350/FLS-2-BV-WH



Performance shown for 3000K. Output varies by CCT.

## 200-HD-S w/ FLS-2 TRIM - PERFORMANCE SUMMARY

LED	OUTPUT	CCT	CRI	R9	Delivered Lumens	System Wattage	Delivered LPW
HI-2700	650	2700K	94	62	1330 - 1555	26	51 - 59
HI-2700	500	2700K	94	62	1079 - 1265	19.5	55 - 65
HI-3000	650	3000K	94	64	1387 - 1622	26	53 - 62
HI-3000	500	3000K	94	64	1125 - 1320	19.5	58 - 68
HI-3500	650	3500K	94	67	1414 - 1653	26	54 - 63
HI-3500	500	3500K	94	67	1147 - 1345	19.5	59 - 69
HI-4000	650	4000K	94	71	1458 - 1705	26	56 - 69
HI-4000	500	4000K	94	71	1183 - 1387	19.5	61 - 71
WD	350	3000-1800K	97	81	442 - 593	14.5	30 - 41
WD-2	350	2800-2200K	97	78	431 - 562	14.5	29 - 39
WD-4	350	3000-2200K	95	69	508 - 638	14.5	35 - 44

Performance range for HI LED with 15°, 25°, 40°, and 60° optic options.

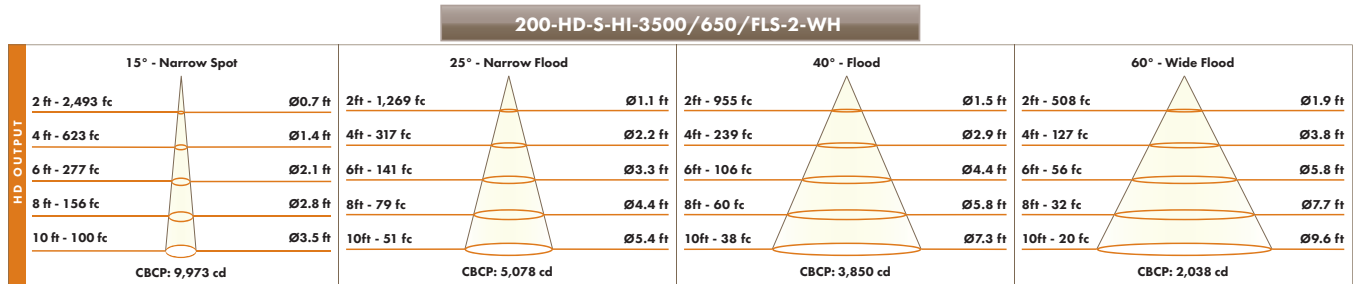
Performance range for WD LED at 3000K and WD-2 LED at 2800K with 15-NFL-WD, 25-NFL-WD, 40-NFL-WD, and 60-NFL-WD optic options.

## 200-HD-S w/ FLS-2 TRIM - OPTICAL OPTIONS AND ACCESSORY PERFORMANCE SUMMARY

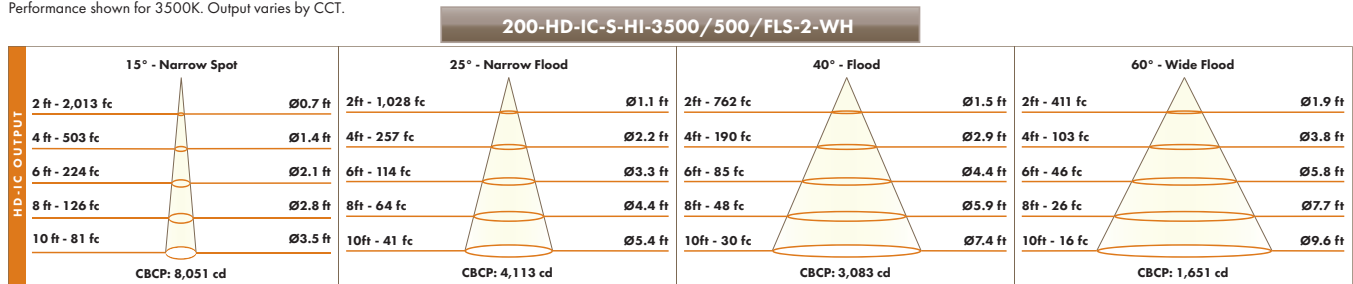
HI-2700, HI-3000, HI-3500, & HI-4000 LED							WD, WD-2, & WD-4 LED	
OPTIC OPTIONS	BEAM ANGLE	BEAM ENHANCING LENS (OPTIONAL)*					OPTIC OPTIONS	BEAM ANGLE
		+ NSP	+ NFL	+ FL	+ WFL	+ LS		
15 Narrow Spot	18°	20°	27°	n/a	n/a	21 x 31°	15-NFL-WD Spot	27°
25 Narrow Flood	29°	30°	33°	n/a	n/a	29 x 43°	25-NFL-WD Narrow Flood	34°
40 Flood	37°	38°	39°	n/a	n/a	n/a	40-NFL-WD Flood	40°
60 Wide Flood	46°	46°	45°	n/a	n/a	n/a	60-NFL-WD Wide Flood	45°

\*Beam enhancing lens used in combination with HI LED option and 15°, 25°, 40°, or 60° optic to achieve desired beam spread.

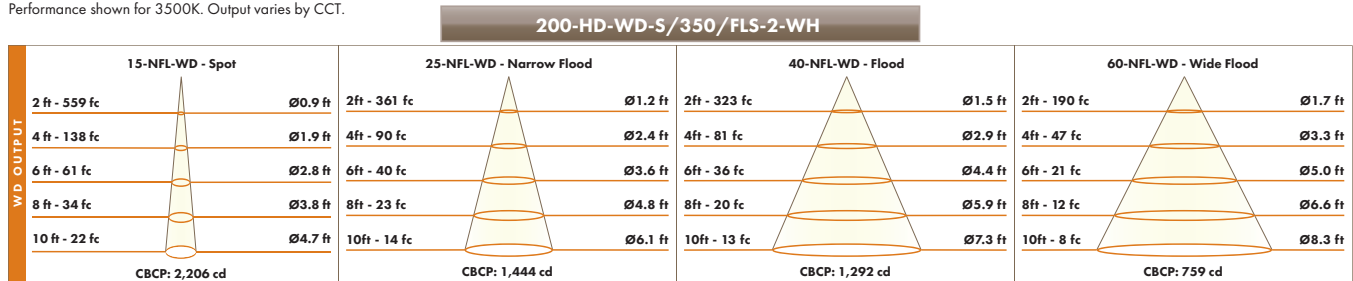
## 200-HD-S w/ FLS-2 TRIM - CONE OF LIGHT DIAGRAMS



Performance shown for 3500K. Output varies by CCT.



Performance shown for 3500K. Output varies by CCT.



Performance shown for 3000K. Output varies by CCT.

**200-HD-S w/ FLS-2-WW TRIM - PERFORMANCE SUMMARY**

LED	OUTPUT	CCT	CRI	R9	Delivered Lumens	System Wattage	Delivered LPW
HI-2700	650	2700K	94	62	1493 - 1530	26	56 - 58
HI-2700	500	2700K	94	62	1210 - 1251	19.5	62 - 64
HI-3000	650	3000K	94	64	1557 - 1596	26	59 - 61
HI-3000	500	3000K	94	64	1262 - 1305	19.5	65 - 67
HI-3500	650	3500K	94	67	1587 - 1627	26	60 - 62
HI-3500	500	3500K	94	67	1286 - 1330	19.5	66 - 68
HI-4000	650	4000K	94	71	1637 - 1678	26	62 - 64
HI-4000	500	4000K	94	71	1326 - 1372	19.5	68 - 70
WD	350	3000-1800K	97	81	682 - 690	14.5	47 - 48
WD-2	350	2800-2200K	97	78	659 - 685	14.5	45 - 47
WD-4	350	3000-2200K	95	69	665 - 709	14.5	46 - 49

Performance range for HI LED with 40° and 60° optic options.

Performance range for WD and WD-4 LED at 3000K and WD-2 LED at 2800K with 40° and 60° optic options.

**200-HD-S-HI-3500/650 w/ FLS-2-WW-WH TRIM - FOOTCANDLES ON WALL**

OPTIC OPTION		40°						60°					
DISTANCE FROM WALL		2.0 ft			2.5 ft			2.0 ft			2.5 ft		
ON CENTER SPACING			2.5 ft			3.0 ft			2.5 ft			3.0 ft	
DISTANCE FROM CEILING	0.5 ft	1.0	1.2	1.0	0.5	0.6	0.5	1.5	1.8	1.5	0.8	1.0	0.8
	1.5 ft	37.0	37.3	37.0	9.5	10.4	9.5	29.4	32.7	29.4	8.0	9.5	8.0
	2.5 ft	81.4	89.4	81.4	46.8	50.9	46.8	63.3	73.3	63.3	36.5	42.3	36.5
	3.5 ft	62.1	69.5	62.1	51.2	57.3	51.2	47.6	54.0	47.6	39.8	45.8	39.8
	4.5 ft	40.1	44.5	40.1	38.9	43.6	38.9	30.7	33.9	30.7	29.8	33.6	29.8
	5.5 ft	25.7	28.0	25.7	27.3	30.3	27.3	19.9	21.5	19.9	20.9	23.0	20.9
	6.5 ft	16.8	18.1	16.8	19.0	20.8	19.0	13.2	14.1	13.2	14.6	15.9	14.6
	7.5 ft	11.4	12.1	11.4	13.4	14.5	13.4	9.1	9.6	9.1	10.4	11.2	10.4
	8.5 ft	8.0	8.3	8.0	9.7	10.3	9.7	6.5	6.8	6.5	7.6	8.1	7.6
	9.5 ft	5.7	6.0	5.7	7.1	7.5	7.1	4.7	4.9	4.7	5.7	6.0	5.7

Performance shown for 3500K. Output varies by CCT.

**200-HD-WD-S/350 w/ FLS-2-WW-WH TRIM - FOOTCANDLES ON WALL**

OPTIC OPTION		40°						60°					
DISTANCE FROM WALL		2.0 ft			2.5 ft			2.0 ft			2.5 ft		
ON CENTER SPACING			2.5 ft			3.0 ft			2.5 ft			3.0 ft	
DISTANCE FROM CEILING	0.5 ft	0.4	0.5	0.4	0.2	0.3	0.2	0.8	0.9	0.8	0.4	0.5	0.4
	1.5 ft	6.2	6.3	6.2	1.8	1.9	1.8	8.4	8.9	8.4	2.5	2.7	2.5
	2.5 ft	18.1	20.0	18.1	8.9	9.4	8.9	20.1	23.2	20.1	10.5	11.8	10.5
	3.5 ft	17.2	19.9	17.2	12.2	14.0	12.2	16.7	19.5	16.7	13.0	15.4	13.0
	4.5 ft	12.8	14.7	12.8	11.0	12.7	11.0	11.4	12.8	11.4	10.5	12.2	10.5
	5.5 ft	9.0	10.2	9.0	8.7	9.9	8.7	7.6	8.3	7.6	7.7	8.7	7.7
	6.5 ft	6.4	7.0	6.4	6.5	7.4	6.5	5.1	5.5	5.1	5.5	6.1	5.5
	7.5 ft	4.6	4.9	4.6	4.9	5.4	4.9	3.6	3.8	3.6	4.0	4.4	4.0
	8.5 ft	3.3	3.6	3.3	3.7	4.1	3.7	2.6	2.7	2.6	3.0	3.2	3.0
	9.5 ft	2.5	2.6	2.5	2.8	3.1	2.8	1.9	2.0	1.9	2.2	2.4	2.2

Performance shown for 3000K. Output varies by CCT.