



**200-HD-R NEW CONSTRUCTION ADJUSTABLE LED
FLR-2/FLR-2-BV/FLR-2-WW TRIMS
NON-IC/IC-CP RATED HOUSINGS**



526 Portal Street
Cotati, CA 94931
USA
P 707.794.0888
www.8lighting.com

All No. 8 Lighting fixtures and components are UL Listed to both U.S. and Canadian requirements. No. 8 Lighting trims and lamp modules are protected by one or more U.S. Patents. No. 8 Lighting reserves the right to change details of design, materials, and finish.

© 2026 No. 8 Lighting
Doc # 91413-13.8

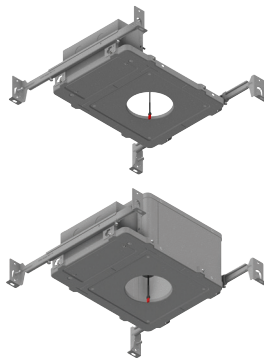


Project Name	
Date	Type
Prepared By	
Comments	
Catalog # 200-HD- - - - / - /	
- - - / -	

PRODUCT FEATURES



200-HD-R
ROUND ADJUSTABLE LIGHT ENGINE



200 SERIES HOUSINGS
TYPE NON-IC or IC-CP RATED for ROUND TRIMS



200 SERIES TRIMS
FLANGED or FLANGELESS

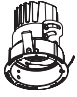
200-HD-R SPECIFICATION SUMMARY

LED Option	Static White				Warm Dimming		
	HI-2700	HI-3000	HI-3500	HI-4000	WD	WD-2	WD-4
Delivered Lumens	1557/1872	1624/1953	1665/1990	1707/2052	753	742	802
System Wattage	19.5/26	19.5/26	19.5/26	19.5/26	14.5	14.5	14.5
Efficacy	79/71	82/75	84/76	87/78	52	51	55
CRI	94	94	94	94	97	97	95
R9	62	64	67	71	81	78	69
CCT	2700K	3000K	3500K	4000K	3000-1800K	2800-2200K	3000-2200K
Color Consistency	2-Step				3-Step		
Optical Options	15, 25, 40, 60				15-NFL, 25-NFL, 40-NFL, 60-NFL		
Optical Accessories	Narrow, Medium, Wide, Extra Wide, Linear Spread				N/A		
Adjustability	0-30° Tilt, 360° Rotation, Lockable						
Driver Options	1% Forward/Reverse Phase (120v), 0.1/1/5% 0-10v (120-277v), 0.1/1% DALI (120-277v), 0.1/1% EcoSystem (120 or 277v)						
Trim Options	Round Flat, Round Bevel, Round Wall-Wash						
Finish Options	White, Oil-Rubbed Bronze, Satin Aluminum, Satin Aluminum w/ White Flange						
Trim Mounting Options	Flanged, Flangeless Sheetrock, Flangeless Wood/Stone						
Trim Accessories	UL Wet Listed Lens Options - Clear, Soft Focus						
Housing Options	New Construction: Type Non-IC, Type IC-CP Rated CCEA Approved Air-Tight						

Performance data shown with FLR-2-BV Trim.
Warm Dimming data shown for 3000K and 2800K.
See Performance Summaries for additional information.

PRODUCT SPECIFIER/PRODUCT ORDER NUMBER

200-HD-

LIGHT ENGINE OPTIONS	LED OPTIONS	OPTIC OPTIONS	OPTICAL ACCESSORIES / (Optional)*	DRIVER OPTIONS	OUTPUT
 <p>Adjustable NEW CONSTRUCTION Light Engine with 0-30° tilt and 360° rotation for ROUND BEVEL, FLAT, or WALL WASH trim</p> <p>200-HD-R For use with HI LED Options and NIC Housing Options</p> <p>200-HD-IC-R For use with HI LED Options and IC-CP Housing Options</p> <p>200-HD-WD-R For use with WD Options and NIC or IC-CP Housing Options</p>	<p>HI-2700 2700K 94 CRI White</p> <p>HI-3000 3000K 94 CRI White</p> <p>HI-3500 3500K 94 CRI White</p> <p>HI-4000 4000K 94 CRI White</p> <p>WD 3000-1800K 97 CRI Warm Dim</p> <p>WD-2 2800-2200K 97 CRI Warm Dim</p> <p>WD-4 3000-2200K 95 CRI Warm Dim</p>	<p>15* Narrow Spot</p> <p>25* Narrow Flood</p> <p>40*†† Flood</p> <p>60*†† Wide Flood</p> <p>15-NFL-WD† Spot</p> <p>25-NFL-WD† Narrow Flood</p> <p>40-NFL-WD† Flood</p> <p>60-NFL-WD† Wide Flood</p> <p>* For use with HI LED options and FLAT or BEVEL trim.</p> <p>†† For use with HI or WD LED options and WALL WASH trim.</p> <p>† For use with WD LED options and FLAT or BEVEL trim.</p>	<p>NSP Narrow Softening Lens</p> <p>NFL Medium Softening Lens</p> <p>FL Wide Softening Lens</p> <p>WFL Extra Wide Softening Lens</p> <p>LS Linear Spread Softening Lens</p> <p>* For use with HI LED options and FLAT or BEVEL trim.</p>	<p>DIM1-2 Forward or Reverse-Phase 1% Dimming</p> <p>DIM2-2* 0-10v 5% Dimming</p> <p>EL1-2 EldoLED 0-10v 1% Dimming</p> <p>EL1-01-2 EldoLED 0-10v 0.1% Dimming</p> <p>EL2-2 EldoLED DALI 1% Dimming</p> <p>EL2-01-2 EldoLED DALI 0.1% Dimming</p> <p>LU2-2 Lutron Hi-Lume LDE1 EcoSystem 1% Dimming</p> <p>LU4-2** Lutron Hi-Lume PEQ0E EcoSystem 0.1% Dimming</p> <p>* Not available with 350 output option.</p> <p>** Not available with 650 output option.</p>	<p>350 Standard output for WD LED Options and NIC or IC-CP Housing Options</p> <p>500 High output for HI LED and IC-CP Housing Options</p> <p>650 High output for HI LED and NIC Housing Options</p>

TRIM OPTIONS	TRIM FINISH	TRIM MOUNTING ACCESSORIES (Optional)	TRIM ACCESSORIES / (Optional)	HOUSING OPTIONS	MOUNTING OPTIONS
<p>FLR-2 4-1/4" ROUND FLAT trim with 1-7/8" aperture</p> <p>FLR-2-BV 4-1/4" ROUND BEVEL trim with 2-1/4" aperture</p> <p>FLR-2-WW* 4-1/4" ROUND WALL WASH trim with 2-3/4" angle-cut aperture and wall wash lens</p> <p>*UL Wet listed. Use with 40° or 60° optic option.</p>	<p>WH WHITE</p> <p>OB* OIL-RUBBED BRONZE</p> <p>SA*† SATIN ALUMINUM</p> <p>SAWH*† SATIN ALUMINUM with WHITE flange</p> <p>* Specialty finish.</p> <p>† Not available with FLAT trim option.</p>	<p>FR-2* ROUND FLANGELESS trim accessory for flush mounting FLR-2, FLR-2-BV, or FLR-2-WW trims in sheetrock ceiling applications</p> <p>* For use with NIC-FR or IC-CP-FR housing options only.</p>	<p>CL2* CLEAR lens</p> <p>SF2* SOFT FOCUS lens</p> <p>* UL Wet listed.</p> <p>Not for use with FLR-2-WW trim options.</p>	<p>NIC-R* Type Non-IC for ROUND flanged trim applications</p> <p>NIC-FR*† Type Non-IC for ROUND flangeless trim in sheetrock applications</p> <p>NIC-FR-W* Type Non-IC for ROUND flangeless trim in wood/stone applications</p> <p>IC-CP-R** Type IC Chicago Plenum Rated for ROUND flanged trim applications</p> <p>IC-CP-FR**† Type IC Chicago Plenum Rated for ROUND flangeless trim in sheetrock applications</p> <p>IC-CP-FR-W** Type IC Chicago Plenum Rated for ROUND flangeless trim in wood/stone applications</p> <p>* For use with 350 or 650 output options only.</p> <p>** For use with 350 or 500 output options only.</p> <p>† Requires FR-2 flangeless trim accessory.</p>	<p>BH Bar Hangers for joist mounting</p> <p>BB Butterfly Brackets for c-channel or bar mounting</p> <p>TBC-BH T-Bar Mounting Clips + Bar Hangers for T-Bar mounting</p> <p>PMB Panel Mounting Brackets (set of two) for direct mounting to wood panels</p>

Light Engine, LED, Optic Option, and Accessory Notes

200-HD-R Adjustable NEW CONSTRUCTION light engine with 0-30° tilt and 360° rotation for ROUND BEVEL, FLAT, or WALL WASH trim. Use for adjustable accent, wall wash, and general lighting applications. To ensure fixture to fixture color consistency, use of the same LED option with adjacent fixtures is recommended. One field interchangeable optic option included standard. Up to one additional optical accessory can be accommodated.

Driver and Output Option Notes

0-10v driver options are configured for linear control. DALI driver options are configured for logarithmic control. No.8 Lighting conducts extensive testing to establish compatibility with many dimmer types. For a complete list of compatible dimmers, see 8lighting.com/resources-downloads. Outputs vary depending on LED type, trim type, and optical accessories used. For photometric files in PDF and IES formats, see: 8lighting.com/200-series-photometry.

Trim Finish and Accessory Notes

White trim finish is field paintable to match ceiling color. Lot variations may occur with specialty finishes. Ordering ALL trim kits at the same time is recommended to minimize finish variations. Trim lens accessories are factory installed into trim plates and are UL WET LISTED and rated for use in DRY, DAMP, or WET locations (covered ceiling applications only). Approved for use in residential steam applications. Not for use in commercial steam applications.

Housing and Installation Notes

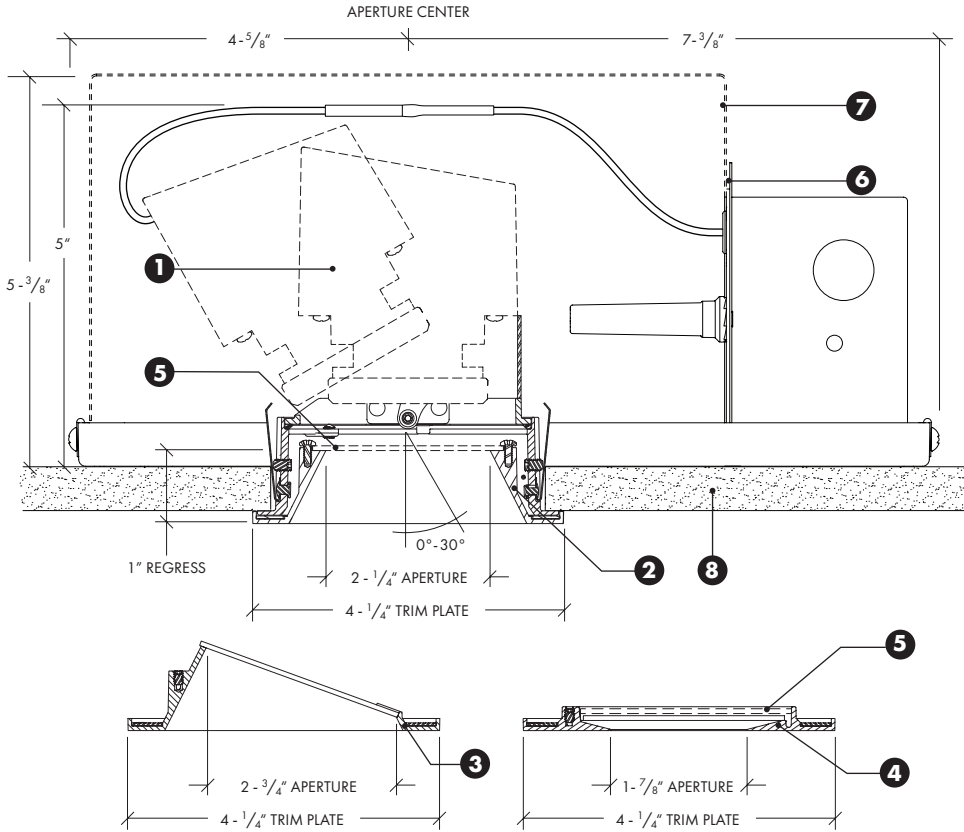
Type Non-IC housings are rated for installations where insulation is held back a minimum of 3" away from sides and top. Type IC-CP housings are rated for direct contact with standard or spray-foam thermal insulation with a max combined R-Value of R42. Type IC-CP housings meet Washington State Airtight Standard WAC 51-11-0502 and in accordance with ASTM E283 to reduce energy loss and are CCEA plenum rated for City of Chicago environmental air spaces. For installations in direct contact with thermal insulation, ambient temperatures in ceiling space should not exceed 25°C (77°F) during normal operation. For installations where insulation is held back a minimum of 3" from sides and top, ambient temperatures in ceiling space should not exceed 40°C (104°F) during normal operation.

Warranty

All No. 8 Lighting products are covered by a 5 year limited warranty. Products installed in residential steam applications are covered by a 2 year limited warranty. For specific warranty details and limitations, see: 8lighting.com/resources-downloads.

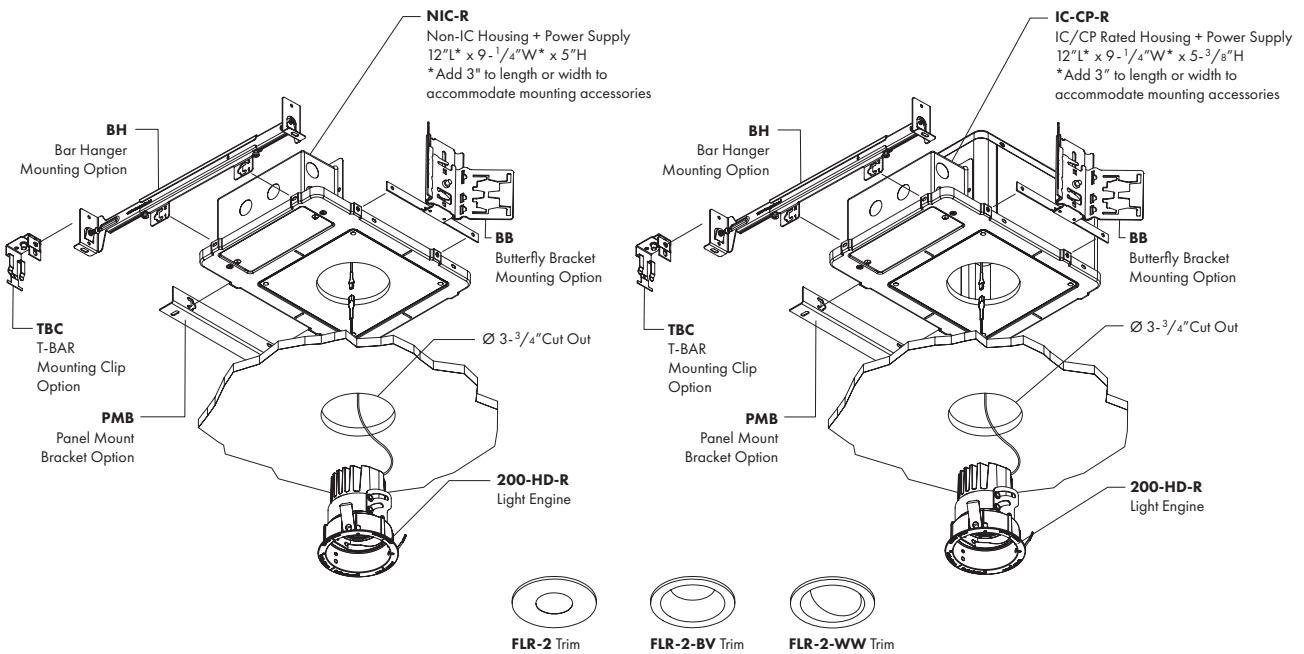
JAB-2025 CA Title 24 Compliant except with Type Non-IC housing options: **NIC-R, NIC-FR, and NIC-FR-W.**

200-HD-R + NIC-R and IC-CP-R NEW CONSTRUCTION HOUSINGS with FLANGED TRIM INSTALLATION



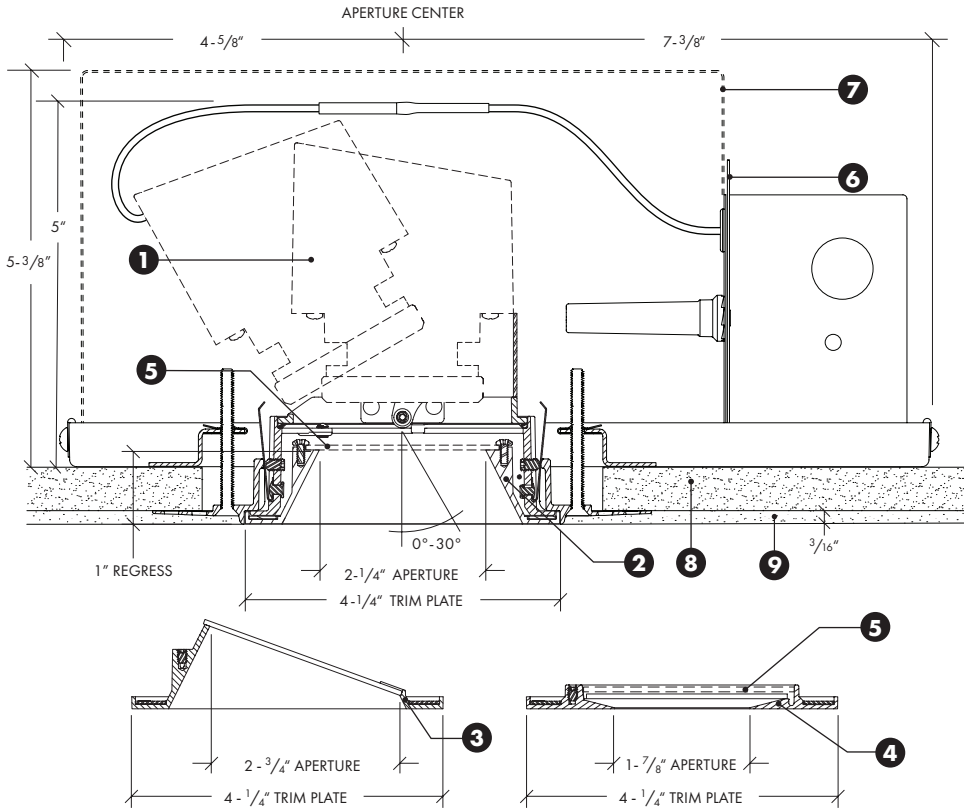
- 1) **200-HD-R** Adjustable ROUND Light Engine
- 2) **FLR-2-BV** Flanged ROUND BEVEL Trim
- 3) **FLR-2-WW** Flanged ROUND WALL WASH Trim
- 4) **FLR-2** Flanged ROUND FLAT Trim
- 5) **CL2/SF2** (Optional) Clear or Soft Focus lens rated for use in DRY, DAMP, or WET locations (covered ceiling applications only)
- 6) **NIC-R** Type Non-IC housing and power supply for ROUND light engine and FLANGED trim
- 7) **IC-CP-R** (shown dashed) Type IC Rated/Air-tight/CCEA approved housing and power supply for ROUND light engine and FLANGED trim
- 8) **Ceiling Material** (Sheetrock/Wood/Stone/Acoustic Tile) Accommodates ceiling thicknesses from 1/2" (min) to 1-1/4" (max) without affecting aiming or rotation

200-HD-R + NIC-R and IC-CP-R NEW CONSTRUCTION HOUSINGS with FLANGED TRIM INSTALLATION



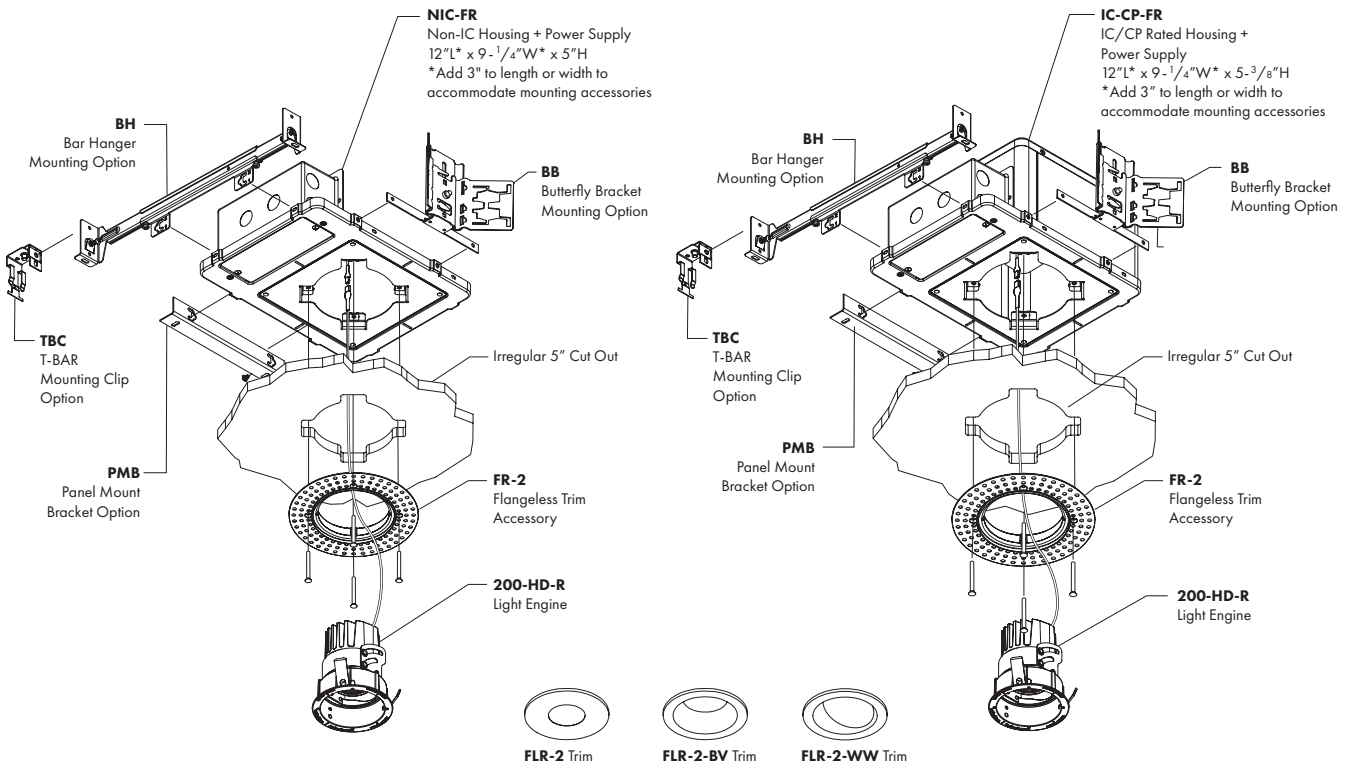
CEILING TYPES: Sheetrock, Wood, Stone & Acoustic Tile | **CEILING THICKNESS:** 1/2" Min to 1-1/4" Max | **CUT-OUT:** Ø 3-3/4"

200-HD-R + NIC-FR and IC-CP-FR with FLANGELESS TRIM INSTALLATION for SHEETROCK CEILINGS



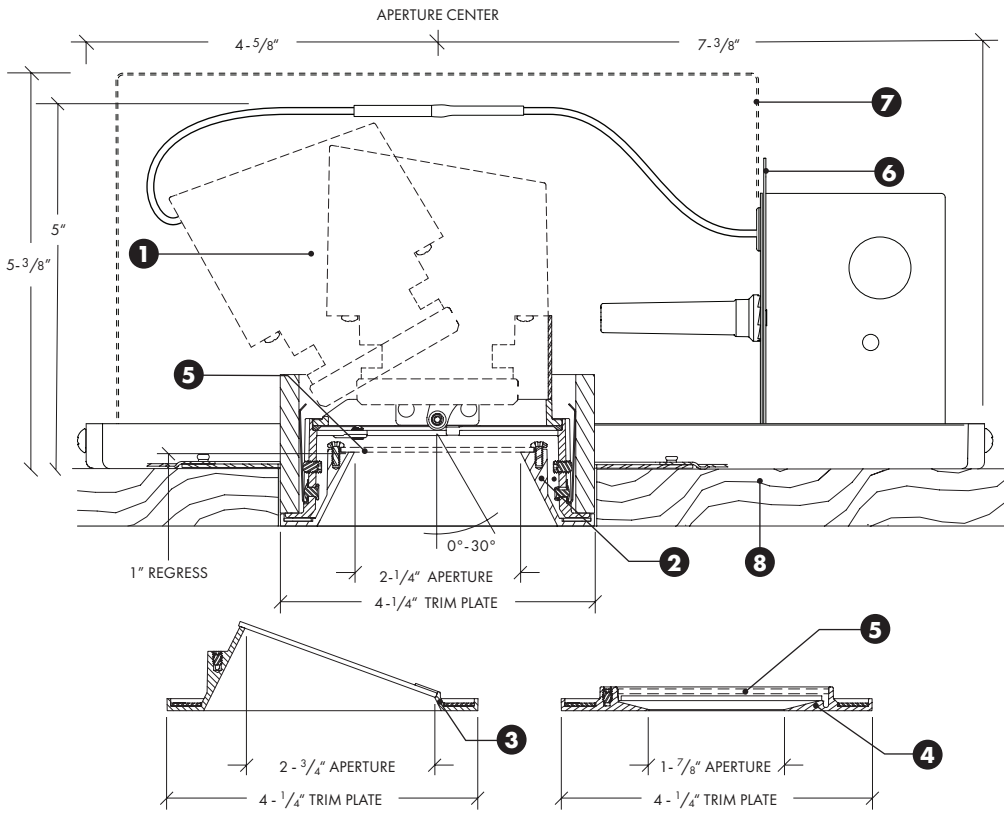
- 1) **200-HD-R** Adjustable ROUND Light Engine.
- 2) **FLR-2-BV** Flanged ROUND BEVEL Trim + **FR-2** ROUND FLANGELESS trim accessory.
- 3) **FLR-2-WW** Flanged ROUND WALL WASH Trim (**FR-2** ROUND FLANGELESS trim accessory not shown).
- 4) **FLR-2** Flanged ROUND FLAT Trim (**FR-2** ROUND FLANGELESS trim accessory not shown).
- 5) **CL2/SF2** (Optional) Clear or Soft Focus lens rated for use in DRY, DAMP, or WET locations (covered ceiling applications only).
- 6) **NIC-FR** Type Non-IC housing and power supply for ROUND light engine and FLANGELESS trim in sheetrock ceiling applications.
- 7) **IC-CP-FR** (shown dashed) Type IC Rated/Air-tight/CCEA approved housing and power supply for ROUND light engine and FLANGELESS trim in sheetrock ceiling applications.
- 8) **Ceiling Material** (Sheetrock) Accommodates ceiling thicknesses from 1/2" (min) to 1-1/2" (max) without affecting aiming or rotation.
- 9) **Ceiling Finish** (Drywall Compound or Plaster) Accommodates 3/16" finish thickness. Minimum level 4 or 5 finish recommended.

200-HD-R + NIC-FR and IC-CP-FR with FLANGELESS TRIM INSTALLATION for SHEETROCK CEILINGS



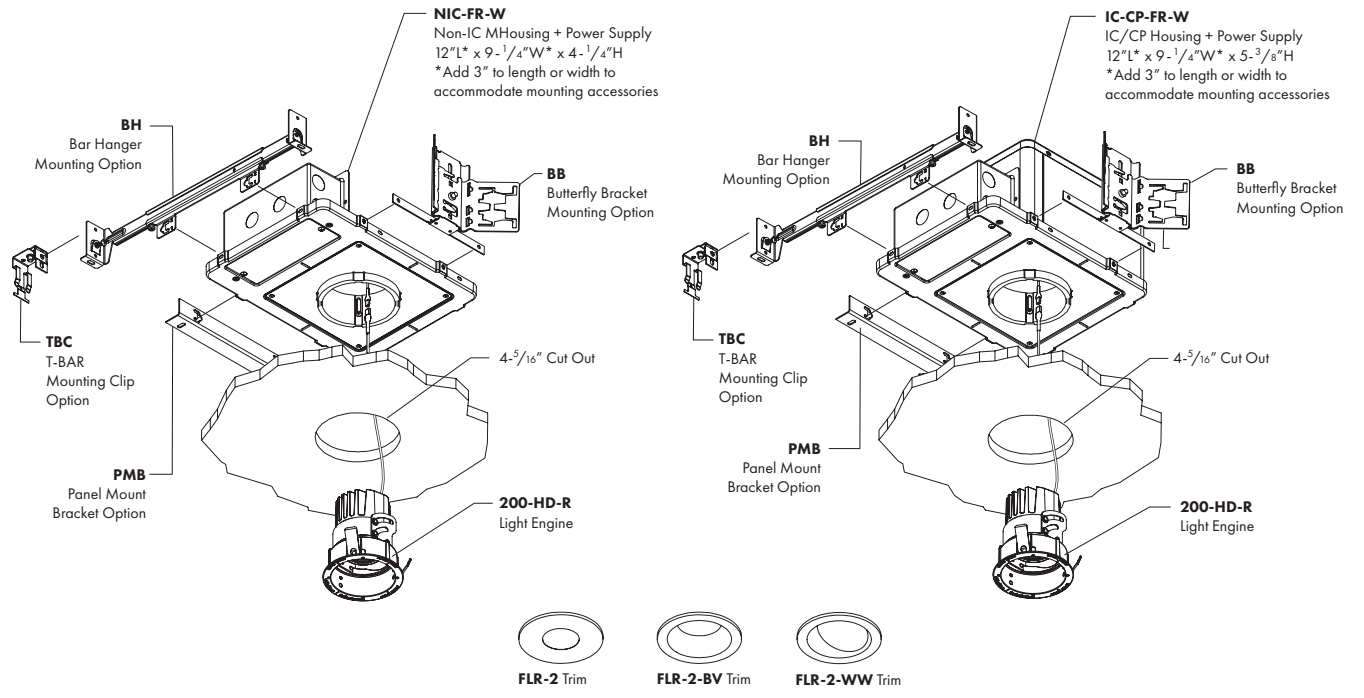
CEILING TYPES: Sheetrock | CEILING THICKNESS: 1/2" Min to 1-1/2" Max | CUT-OUT: 5" Irregular

200-HD-R + NIC-FR-W and IC-CP-FR-W with FLANGELESS TRIM INSTALLATION for WOOD/STONE CEILINGS



- 1) **200-HD-R** Adjustable ROUND Light Engine
- 2) **FLR-2-BV** Flanged ROUND BEVEL Trim
- 3) **FLR-2-WW** Flanged ROUND WALL WASH Trim
- 4) **FLR-2** Flanged ROUND FLAT Trim
- 5) **CL2/SF2** (Optional) Clear or Soft Focus lens rated for use in DRY, DAMP, or WET locations (covered ceiling applications only)
- 6) **NIC-FR-W** Type Non-IC housing and power supply for ROUND light engine and FLANGELESS trim in wood/stone ceiling applications
- 7) **IC-CP-FR-W** (shown dashed) Type IC Rated/Air-tight/CCEA approved housing and power supply for ROUND light engine and FLANGELESS trim in wood/stone ceiling applications
- 8) **Ceiling Material** (Wood/Stone) Accommodates ceiling thicknesses from 1/2" (min) to 1-1/2" (max) without effecting aiming or rotation

200-HD-R + NIC-FR-W and IC-CP-FR-W with FLANGELESS TRIM INSTALLATION for WOOD/STONE CEILINGS



CEILING TYPES: Wood/Stone | **CEILING THICKNESS:** 1/2" Min to 1-1/2" Max | **CUT-OUT:** Ø 4-5/16"

200-HD-R w/ FLR-2-BV TRIM - PERFORMANCE SUMMARY

LED	OUTPUT	CCT	CRI	R9	Delivered Lumens	System Wattage	Delivered LPW
HI-2700	650	2700K	94	62	1529 - 1872	26	58 - 71
HI-2700	500	2700K	94	62	1255 - 1557	19.5	64 - 79
HI-3000	650	3000K	94	64	1595 - 1953	26	61 - 75
HI-3000	500	3000K	94	64	1309 - 1624	19.5	67 - 82
HI-3500	650	3500K	94	67	1625 - 1990	26	62 - 76
HI-3500	500	3500K	94	67	1334 - 1655	19.5	68 - 84
HI-4000	650	4000K	94	71	1676 - 2052	26	64 - 78
HI-4000	500	4000K	94	71	1376 - 1707	19.5	70 - 87
WD	350	3000-1800K	97	81	671 - 753	14.5	46 - 52
WD-2	350	2800-2200K	97	78	658 - 742	14.5	45 - 51
WD-4	350	3000-2200K	95	69	709 - 802	14.5	49 - 55

Performance range for HI LED with 15°, 25°, 40°, and 60° optic options.

Performance range for WD and WD-4 LED at 3000K and WD-2 LED at 2800K with 15-NFL-WD, 25-NFL-WD, 40-NFL-WD, and 60-NFL-WD optic options.

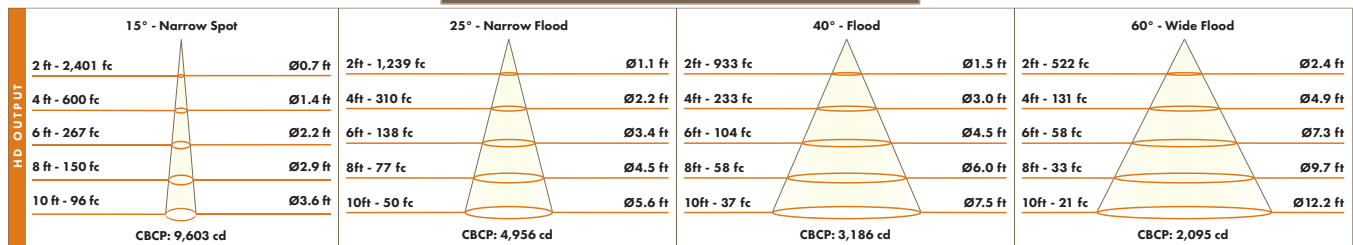
200-HD-R w/ FLR-2-BV TRIM - OPTICAL OPTIONS AND ACCESSORY PERFORMANCE SUMMARY

HI-2700, HI-3000, HI-3500, & HI-4000 LED							WD, WD-2, & WD-4 LED	
OPTIC OPTIONS	BEAM ANGLE	BEAM ENHANCING LENS (OPTIONAL)*					OPTIC OPTIONS	BEAM ANGLE
		+ NSP	+ NFL	+ FL	+ WFL	+ LS		
15 Narrow Spot	19°	21°	30°	48°	61°	21 x 38°	15-NFL-WD Spot	28°
25 Narrow Flood	30°	32°	38°	57°	68°	30 x 55°	25-NFL-WD Narrow Flood	36°
40 Flood	38°	39°	42°	n/a	n/a	n/a	40-NFL-WD Flood	43°
60 Wide Flood	60°	61°	58°	n/a	n/a	n/a	60-NFL-WD Wide Flood	60°

*Beam enhancing lens used in combination with HI LED option and 15°, 25°, 40°, or 60° optic to achieve desired beam spread.

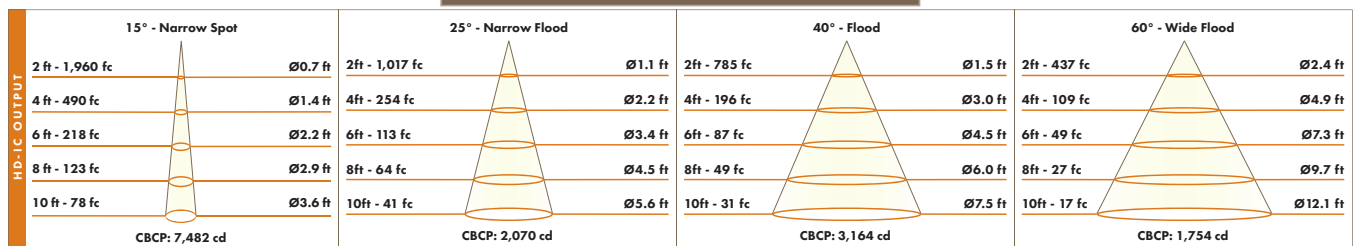
200-HD-R w/ FLR-2-BV TRIM - CONE OF LIGHT DIAGRAMS

200-HD-R-HI-3500/650/FLR-2-BV-WH



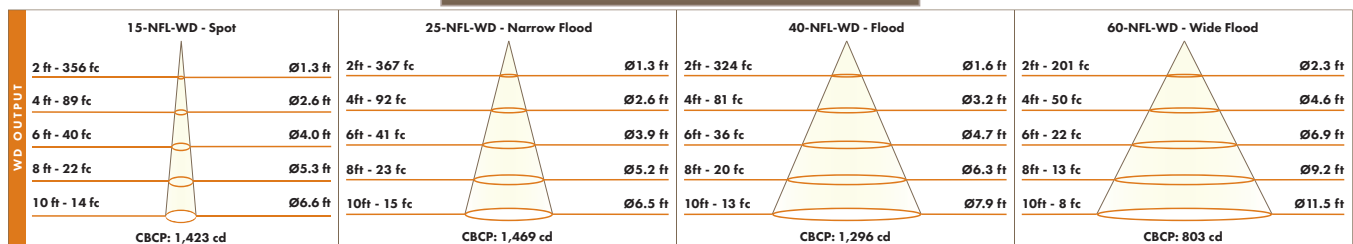
Performance shown for 3500K. Output varies by CCT.

200-HD-IC-R-HI-3500/500/FLR-2-BV-WH



Performance shown for 3500K. Output varies by CCT.

200-HD-WD-R-WD/350/FLR-2-BV-WH



Performance shown for 3000K. Output varies by CCT.

200-HD-R w/ FLR-2 TRIM - PERFORMANCE SUMMARY

LED	OUTPUT	CCT	CRI	R9	Delivered Lumens	System Wattage	Delivered LPW
HI-2700	650	2700K	94	62	1115 - 1408	26	42 - 54
HI-2700	500	2700K	94	62	920 - 1155	19.5	47 - 59
HI-3000	650	3000K	94	64	1163 - 1469	26	44 - 56
HI-3000	500	3000K	94	64	960 - 1205	19.5	49 - 62
HI-3500	650	3500K	94	67	1185 - 1497	26	45 - 57
HI-3500	500	3500K	94	67	978 - 1228	19.5	50 - 63
HI-4000	650	4000K	94	71	1222 - 1544	26	46 - 59
HI-4000	500	4000K	94	71	1009 - 1266	19.5	52 - 65
WD	350	3000-1800K	97	81	408 - 546	14.5	28 - 37
WD-2	350	2800-2200K	97	78	405 - 534	14.5	28 - 37
WD-4	350	3000-2200K	95	69	415 - 564	14.5	29 - 39

Performance range for HI LED with 15°, 25°, 40°, and 60° optic options.

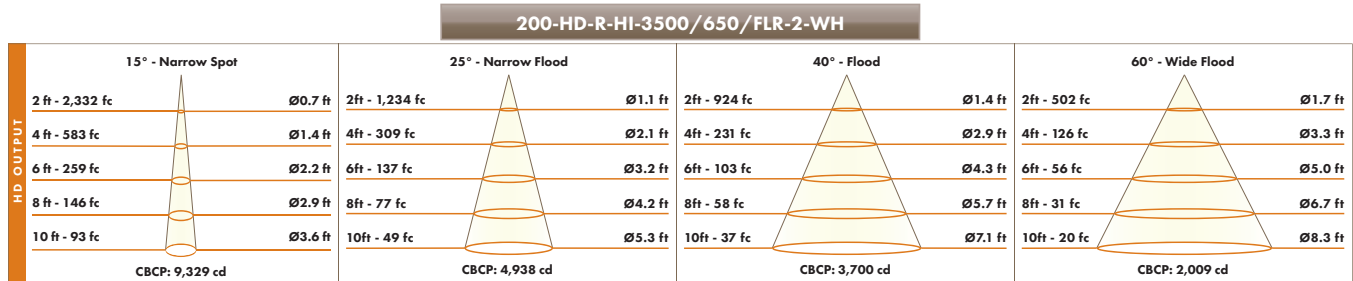
Performance range for WD and WD-4 LED at 3000K and WD-2 LED at 2800K with 15-NFL-WD, 25-NFL-WD, 40-NFL-WD, and 60-NFL-WD optic options.

200-HD-R w/ FLR-2 TRIM - OPTICAL OPTIONS AND ACCESSORY PERFORMANCE SUMMARY

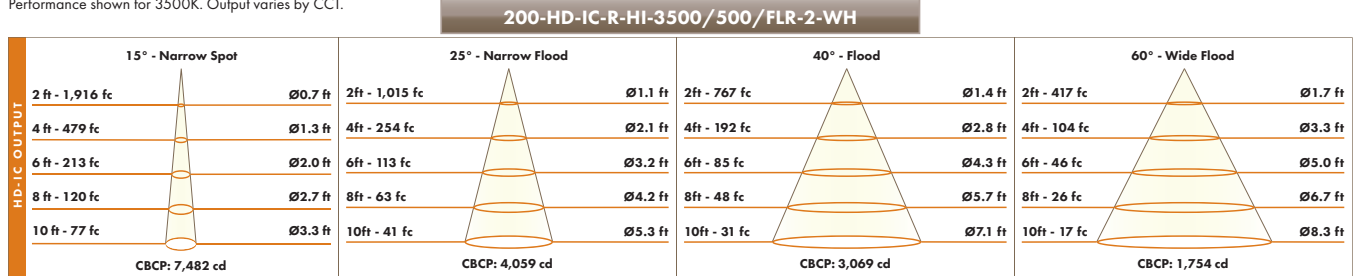
HI-2700, HI-3000, HI-3500, & HI-4000 LED							WD, WD-2, & WD-4 LED	
OPTIC OPTIONS	BEAM ANGLE	BEAM ENHANCING LENS (OPTIONAL)*					OPTIC OPTIONS	BEAM ANGLE
		+ NSP	+ NFL	+ FL	+ WFL	+ LS		
15 Narrow Spot	17°	18°	25°	n/a	n/a	19 x 33°	15-NFL-WD Spot	25°
25 Narrow Flood	29°	29°	32°	n/a	n/a	28 x 40°	25-NFL-WD Narrow Flood	33°
40 Flood	37°	37°	37°	n/a	n/a	n/a	40-NFL-WD Flood	40°
60 Wide Flood	46°	46°	44°	n/a	n/a	n/a	60-NFL-WD Wide Flood	44°

*Beam enhancing lens used in combination with HI LED option and 15°, 25°, 40°, or 60° optic to achieve desired beam spread.

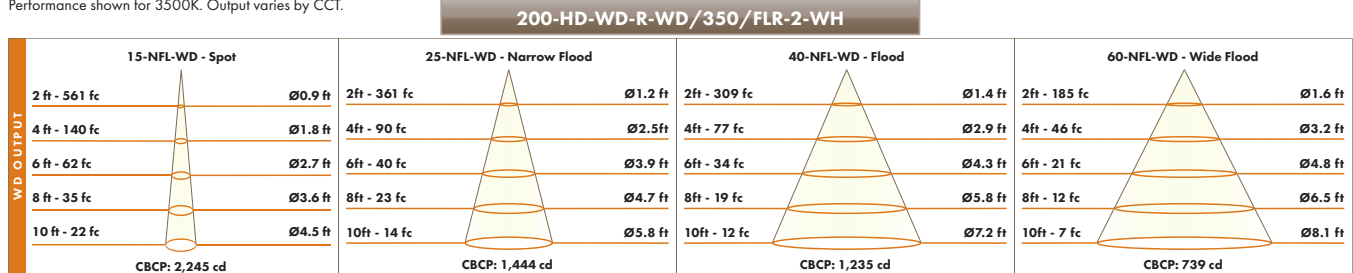
200-HD-R w/ FLR-2 TRIM - CONE OF LIGHT DIAGRAMS



Performance shown for 3500K. Output varies by CCT.



Performance shown for 3500K. Output varies by CCT.



Performance shown for 3000K. Output varies by CCT.









200-HD-R w/ FLR-2-WW TRIM - PERFORMANCE SUMMARY

LED	OUTPUT	CCT	CRI	R9	Delivered Lumens	System Wattage	Delivered LPW
HI-2700	650	2700K	94	62	1342 - 1464	26	51 - 55
HI-2700	500	2700K	94	62	1110 - 1192	19.5	56 - 61
HI-3000	650	3000K	94	64	1400 - 1527	26	53 - 58
HI-3000	500	3000K	94	64	1158 - 1243	19.5	59 - 64
HI-3500	650	3500K	94	67	1427 - 1556	26	54 - 59
HI-3500	500	3500K	94	67	1180 - 1267	19.5	60 - 65
HI-4000	650	4000K	94	71	1472 - 1605	26	56 - 61
HI-4000	500	4000K	94	71	1217 - 1307	19.5	62 - 67
WD	350	3000-1800K	97	81	635 - 661	14.5	44 - 46
WD-2	350	2800-2200K	97	78	669 - 705	14.5	46 - 48
WD-4	350	3000-2200K	95	69	665 - 734	14.5	46 - 51

Performance range for HI LED with 40° and 60° optic options.









Performance range for WD and WD-4 LED at 3000K and WD-2 LED at 2800K with 40° and 60° optic options.

200-HD-R-HI-3500/650 w/ FLR-2-WW-WH TRIM - FOOTCANDLES ON WALL

OPTIC OPTION		40°						60°					
DISTANCE FROM WALL		2.0 ft			2.5 ft			2.0 ft			2.5 ft		
ON CENTER SPACING			2.5 ft			3.0 ft			2.5 ft			3.0 ft	
DISTANCE FROM CEILING	0.5 ft	1.4	1.4	1.4	0.7	0.8	0.7	2.1	2.2	2.1	1.1	1.2	1.1
	1.5 ft	33.1	28.2	33.1	8.8	7.0	8.8	28.3	24.2	28.3	8.3	6.6	8.3
	2.5 ft	74.0	79.6	74.0	41.7	42.0	41.7	56.8	60.5	56.8	33.1	33.0	33.1
	3.5 ft	58.6	66.2	58.6	47.1	52.6	47.1	43.2	49.1	43.2	35.5	39.5	35.5
	4.5 ft	38.7	43.1	38.7	36.9	41.6	36.9	28.6	31.7	28.6	27.2	30.8	27.2
	5.5 ft	25.1	27.4	25.1	26.4	29.3	26.4	18.7	20.4	18.7	19.4	21.5	19.4
	6.5 ft	16.6	17.8	16.6	18.5	20.3	18.5	12.5	13.5	12.5	13.8	15.0	13.8
	7.5 ft	11.3	12.0	11.3	13.2	14.2	13.2	8.7	9.2	8.7	9.9	10.6	9.9
	8.5 ft	7.9	8.4	7.9	9.5	10.2	9.5	6.2	6.5	6.2	7.2	7.7	7.2
	9.5 ft	5.8	6.0	5.8	7.0	7.5	7.0	4.6	4.7	4.6	5.4	5.7	5.4

Performance shown for 3500K. Output varies by CCT.

200-HD-WD-R/350 w/ FLR-2-WW-WH TRIM - FOOTCANDLES ON WALL

OPTIC OPTION		40°						60°					
DISTANCE FROM WALL		2.0 ft			2.5 ft			2.0 ft			2.5 ft		
ON CENTER SPACING			2.5 ft			3.0 ft			2.5 ft			3.0 ft	
DISTANCE FROM CEILING	0.5 ft	0.5	0.5	0.5	0.3	0.3	0.3	1.3	1.2	1.3	0.7	0.7	0.7
	1.5 ft	12.5	11.2	12.5	3.6	2.8	3.6	8.6	7.4	8.6	2.9	2.2	2.9
	2.5 ft	26.9	29.6	26.9	14.9	15.5	14.9	18.8	19.8	18.8	10.0	9.9	10.0
	3.5 ft	22.0	25.7	22.0	17.2	19.9	17.2	15.6	18.1	15.6	12.1	13.7	12.1
	4.5 ft	15.0	17.3	15.0	13.9	16.2	13.9	10.8	12.2	10.8	9.9	11.4	9.9
	5.5 ft	10.0	11.3	10.0	10.2	11.7	10.2	7.3	8.0	7.3	7.3	8.3	7.3
	6.5 ft	6.8	7.5	6.8	7.4	8.3	7.4	5.0	5.4	5.0	5.3	5.9	5.3
	7.5 ft	4.7	5.1	4.7	5.3	5.9	5.3	3.5	3.8	3.5	3.9	4.2	3.9
	8.5 ft	3.4	3.6	3.4	3.9	4.3	3.9	2.5	2.7	2.5	2.9	3.1	2.9
	9.5 ft	2.5	2.6	2.5	2.9	3.2	2.9	1.9	2.0	1.9	2.2	2.3	2.2

Performance shown for 3000K. Output varies by CCT.