

203-S-RM/203-S-RM-RT REMODEL WALL WASH LED
FLS-2-WW WALL WASH TRIM
NON-IC + AIRTIGHT RATED



526 Portal Street
 Cotati, CA 94931
 USA
 P 707.794.0888
 www.8lighting.com

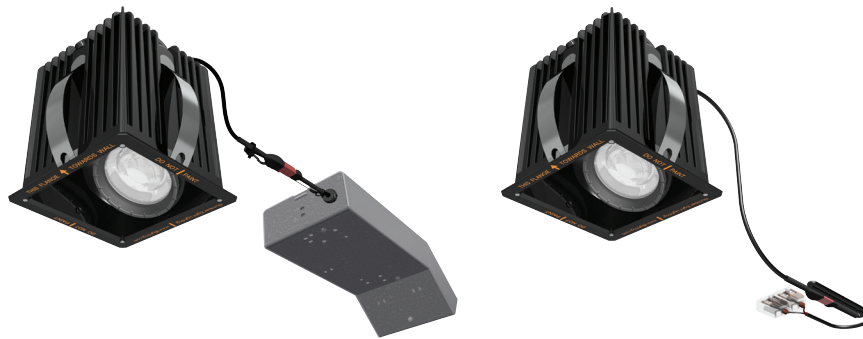
All No. 8 Lighting fixtures and components are UL Listed to both U.S. and Canadian requirements. No. 8 Lighting trims and lamp modules are protected by one or more U.S. Patents. No. 8 Lighting reserves the right to change details of design, materials, and finish.

© 2026 No. 8 Lighting
 Doc # 91412-13.4



Project Name	
Date	Type
Prepared By	
Comments	
Catalog #	- - / - / FLS-2-WW - -

PRODUCT FEATURES



203-S-RM
 SQUARE WALL WASH LIGHT ENGINE
 and INTEGRAL POWER SUPPLY

203-S-RM-RT
 SQUARE WALL WASH LIGHT ENGINE
 for REMOTE POWER SUPPLY



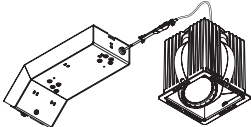
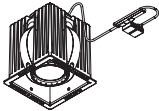
200 SERIES TRIMS
 FLANGED or FLANGELESS

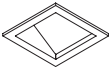
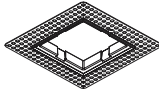
203-S-RM/203-S-RM-RT SPECIFICATION SUMMARY

	Static White				Warm Dimming		
	HI-2700	HI-3000	HI-3500	HI-4000	WD	WD-2	WD-4
LED Option	HI-2700	HI-3000	HI-3500	HI-4000	WD	WD-2	WD-4
Delivered Lumens	940	990	1028	1059	727	705	752
System Wattage	14	14	14	14	15	15	14.5
Efficacy	67	71	74	76	48	47	52
CRI	92+	92+	92+	92+	97+	95+	95
R9	61	60	61	58	80	74	69
CCT	2700K	3000K	3500K	4000K	3000-1800K	2800-2200K	3000-2200K
Color Consistency	2-Step				3-Step		
Optic Options	40, 60						
Optical Accessories	N/A						
Adjustability	Fixed Position (20° Wall Wash)						
Driver Options	INTEGRAL: <1/5% Forward/Reverse Phase (120v), 0.1/1/5% 0-10v (120-277v), 0.1/1% DALI (120-277v), 0.1/1% EcoSystem (120 or 277v) REMOTE: <1% Forward/Reverse Phase (120v), 0.1/1% 0-10v (120-277v), 0.1/1% DALI (120-277v), 0.1% EcoSystem (120 or 277v)						
Trim	Square Wall Wash						
Finish Options	White, Oil-Rubbed Bronze, Satin Aluminum, Satin Aluminum w/ White Flange						
Trim Mounting Options	Flanged, Flangeless Sheetrock						
Trim Accessory	UL Wet Listed Wall Wash Lens						
Mounting Options	Remodel: Type Non-IC Air-Tight						

Performance data shown with FLS-2-WW Trim.
 Warm Dimming data shown for 3000K and 2800K.
 See Performance Summary for additional information.

PRODUCT SPECIFIER/PRODUCT ORDER NUMBER

LIGHT ENGINE + POWER SUPPLY OPTIONS	LED OPTIONS	OPTIC OPTIONS	DRIVER OPTIONS	REMOTE OPTIONS*
 <p>203-S-RM* Wall Wash REMODEL Light Engine with fixed 20° tilt + INTEGRAL Power Supply for SQUARE WALL WASH trim</p>  <p>203-S-RM-RT* Wall Wash REMODEL Light Engine with fixed 20° tilt for REMOTE Power Supply and SQUARE WALL WASH trim *AIRTIGHT and Type Non-IC Rated for installations where insulation can be held back 3" from sides and top. Adjustment range: 0-30° tilt and 360° rotation.</p>	<p>HI-2700 2700K 92+ CRI White</p> <p>HI-3000 3000K 92+ CRI White</p> <p>HI-3500 3500K 92+ CRI White</p> <p>HI-4000 4000K 92+ CRI White</p> <p>WD 3000-1800K 97+ CRI Warm Dim</p> <p>WD-2 2800-2200K 95+ CRI Warm Dim</p> <p>WD-4 3000-2200K 95 CRI Warm Dim</p>	<p>40 Flood</p> <p>60 Wide Flood</p>	<p>PR1-2-R Premium Forward or Reverse-Phase <1% Dimming</p> <p>DIM3-2-R* Forward or Reverse-Phase 5% Dimming</p> <p>DIM4-2-R* 0-0-10v 1% Dimming</p> <p>EL1-2-R EldoLED 0-10v 1% Dimming</p> <p>EL1-01-2-R EldoLED 0-10v 0.1% Dimming</p> <p>EL2-2-R EldoLED DALI 1% Dimming</p> <p>EL2-01-2-R EldoLED 0.1% DALI Dimming</p> <p>LU2-2-R* Lutron Hi-Lume LDE1 EcoSystem 1% Dimming</p> <p>LU4-2-R Lutron Hi-Lume PEQOE EcoSystem 0.1% Dimming</p> <p>*Not available with remote option.</p>	<p>RT REMOTE Mounted Power Supply for PR1 Driver Option</p> <p>RT-1L REMOTE Mounted Power Supply for EL1, EL1-01, EL2, EL2-01, or LU4 Driver Options *For use with 203-S-RM-RT Light Engines only. Leave blank for integral dimming options.</p>

FLS-2-WW		
TRIM	TRIM FINISH	TRIM MOUNTING ACCESSORIES (Optional)
 <p>FLS-2-WW* 4-1/4" SQUARE WALL WASH with 2-3/4" angle-cut aperture and wall wash lens *UL Wet listed.</p>	<p>WH WHITE</p> <p>OB* OIL-RUBBED BRONZE</p> <p>SA* SATIN ALUMINUM</p> <p>SAWH* SATIN ALUMINUM with WHITE flange *Specialty finish.</p>	 <p>FS-2-RM SQUARE FLANGELESS trim accessory for flush mounting FLS-2/FLS-2-BV trims in sheetrock ceiling applications in REMODEL installations</p>

Maximum REMOTE Driver-to-LED Light Engine Wire Length		
Driver Model		Wire Gauge
PR1-2-R-RT	EL1/EL1-01/EL2/EL2-01/LU4-2-R-RT-1L	24 AWG (0.2 mm ²)
		22 AWG (0.34 mm ²)
		20 AWG (0.5 mm ²)
		18 AWG (.75 mm ²)
		16 AWG (1.5 mm ²)
		14 AWG (2.5 mm ²)
		12 AWG (4.0 mm ²)
Wire Type: Stranded Class 2 wire (supplied by others)		

Light Engine, LED, Optic Option, and Accessory Notes
203-S-RM/203-S-RM-RT Wall wash airtight REMODEL light engine with fixed 20° tilt for SQUARE WALL WASH trim. Use for wall wash lighting applications. **203-S-RM** for use with INTEGRAL power supply and **203-S-RM-RT** for use with REMOTE mounted power supply. To ensure fixture to fixture color consistency, use of the same LED option with adjacent fixtures is recommended. One field interchangeable optic option included standard. Up to one additional optical accessory can be accommodated.

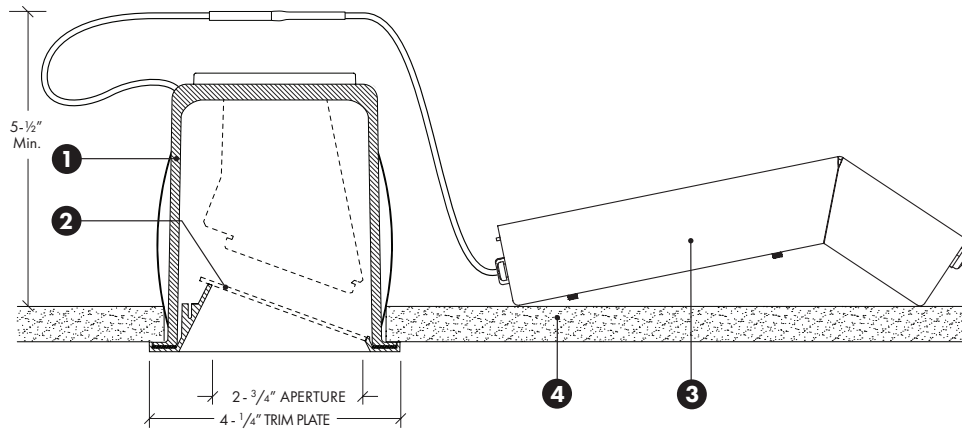
Installation Notes
 Accommodates sheetrock/wood/stone (tile) ceilings with thicknesses ranging from 1/2" (min) - 1-1/2" (max). Requires 5-1/2" (min) ceiling space above finished ceiling. Type Non-IC rated for installations where insulation is held back a minimum of 3" away from sides and top. Meets Washington State Airtight Standard WAC 51-11-0502 and in accordance with ASTM E283 to reduce energy loss. Ambient temperatures in ceiling space should not exceed 40°C (104°F) during normal operation.

Driver and Output Option Notes
 0-10v driver options are configured for linear control. DALI driver options are configured for logarithmic control. No.8 Lighting conducts extensive testing to establish compatibility with many dimmer types. For a complete list of compatible dimmers, see Blighting.com/resources-downloads. Outputs vary depending on LED type, trim type, and optical accessories used. For photometric files in PDF and IES formats, see: Blighting.com/200-series-photometry.

Trim Finish and Accessory Notes
 White trim finish is field paintable to match ceiling color. Lot variations may occur with specialty finishes. Ordering ALL trim kits at the same time is recommended to minimize finish variations. Trim lens accessories are factory installed into trim plates and are UL WET LISTED and rated for use in DRY, DAMP, or WET locations (covered ceiling applications only). Approved for use in residential steam applications. Not for use in commercial steam applications.

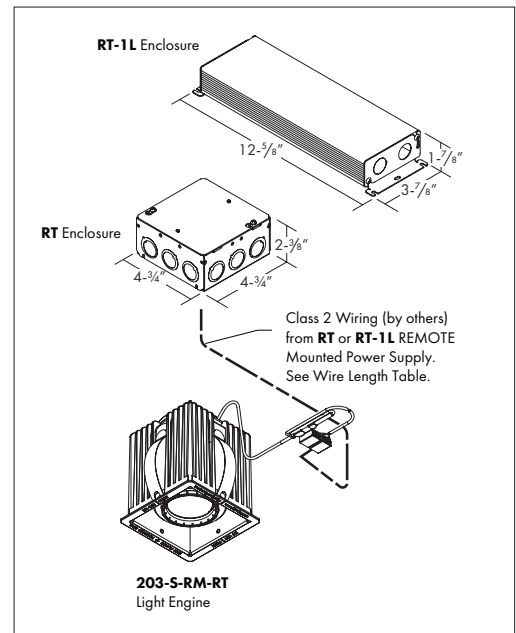
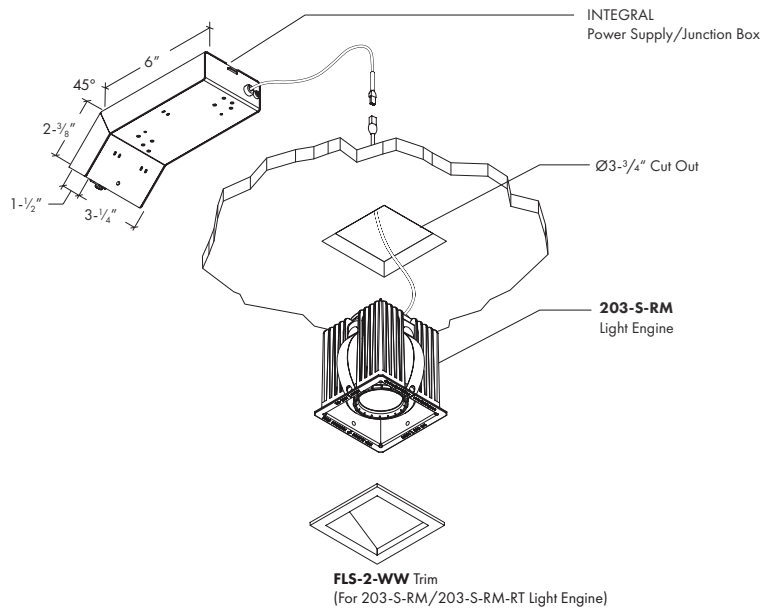
Warranty
 All No. 8 Lighting products are covered by a 5 year limited warranty. Products installed in residential steam applications are covered by a 2 year limited warranty. For specific warranty details and limitations, see: Blighting.com/resources-downloads.

203-S-RM/203-S-RM-RT REMODEL FIXTURE ASSEMBLY with FLANGED TRIM INSTALLATION



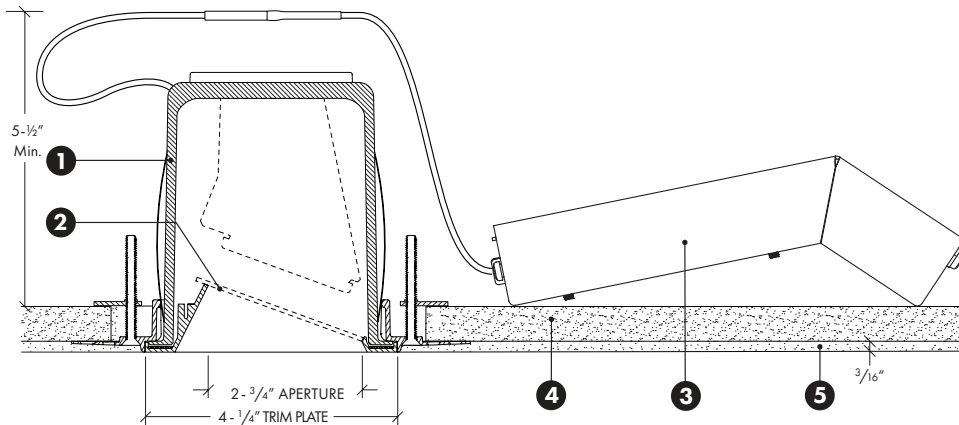
- 1) **203-S-RM/203-S-RM-RT** Wall Wash SQUARE Light Engine with fixed 20° tilt.
- 2) **FLS-2-WW** Flanged SQUARE WALL WASH Trim.
- 3) **Integral Power Supply/Junction Box** (shown) Installs from below finished ceiling and is accessible after installation. Requires 5-1/2" (Min.) clearance above ceiling for installation. **RT/RT-1L Remote Power Supply/Junction Box** (not shown) can be mounted up to 100ft from fixture using 12AWG Class 2 stranded wire. See wire length table on Page 2.
- 4) **Ceiling Material** (Sheetrock/Wood/Stone) Accommodates ceiling thicknesses from 1/2" (min) to 1-1/2" (max) without affecting aiming or rotation.

203-S-RM/203-S-RM-RT REMODEL FIXTURE ASSEMBLY with FLANGED TRIM INSTALLATION



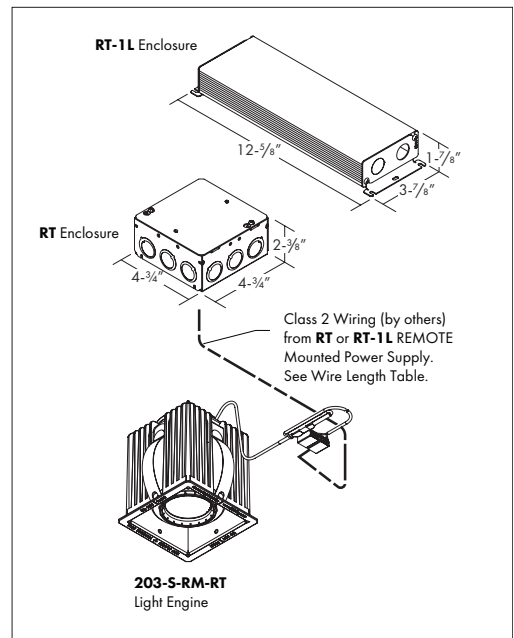
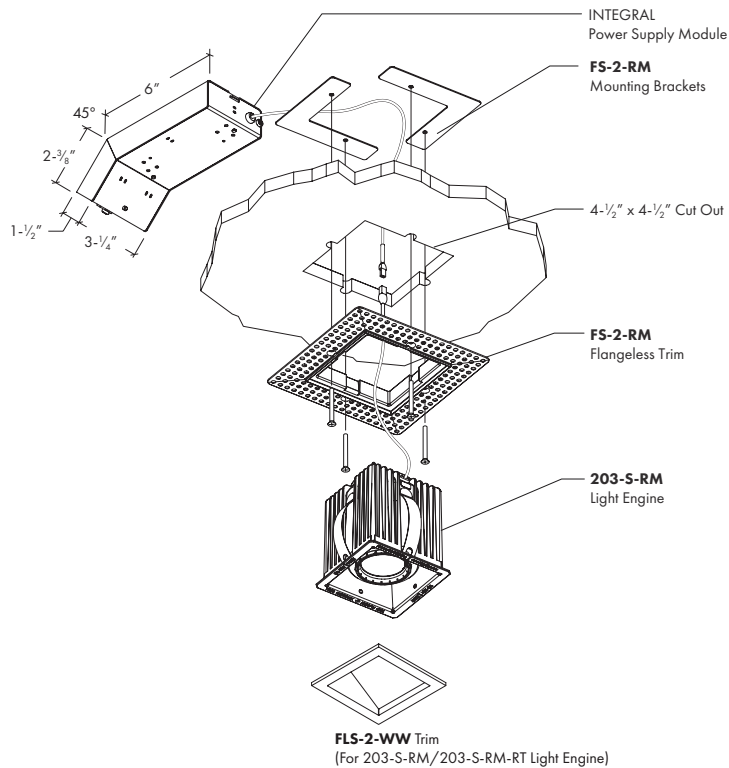
CEILING TYPES: Sheetrock, Wood & Stone | **CEILING THICKNESS:** 1/2" Min to 1-1/2" Max | **CUT-OUT:** 3-3/4" x 3-3/4"

203-S-RM/203-S-RM-RT REMODEL FIXTURE ASSEMBLY with FS-2-RM FLANGELESS TRIM



- 1) **203-S-RM /203-S-RM-RT** Wall Wash SQUARE Light Engine with fixed 20° tilt.
- 2) **FLS-2-WW** Flanged SQUARE WALL WASH trim + **FS-2-RM** SQUARE FLANGELESS trim accessory.
- 3) **Integral Power Supply/Junction Box** (shown) Installs from below finished ceiling and is accessible after installation. Requires 5-1/2" (Min.) clearance above ceiling for installation. **RT/RT-1L Remote Power Supply/Junction Box** (not shown) can be mounted up to 100ft from fixture using 12AWG Class 2 stranded wire. See wire length table on Page 2.
- 4) **Ceiling Material** (Sheetrock) Accommodates ceiling thicknesses from 1/2" (min) to 1-1/2" (max) without affecting aiming or rotation.
- 5) **Ceiling Finish** (Drywall Compound or Plaster) Accommodates 3/16" finish thickness. Minimum level 4 or 5 finish recommended.

203-S-RM/203-S-RM-RT REMODEL FIXTURE ASSEMBLY with FS-2-RM FLANGELESS TRIM



CEILING TYPES: Sheetrock | **CEILING THICKNESS:** 1/2" Min to 1-1/2" Max | **CUT-OUT:** 4-1/2" x 4-1/2"









203-S-RM w/ FLS-2-WW TRIM - PERFORMANCE SUMMARY

LED	CCT	CRI	R9	Delivered Lumens	System Wattage	Delivered LPW
HI-2700	2700K	92+	61	940	14	67
HI-3000	3000K	92+	60	990	14	71
HI-3500	3500K	92+	61	1028	14	74
HI-4000	4000K	92+	58	1059	14	76
WD	3000-1800K	97+	80	727	15	48
WD-2	2800-2200K	95+	74	705	15	47
WD-4	3000-2200K	95	69	752	14.5	52

Performance shown for HI LED with 40° optic option.









Performance shown for WD and WD-4 LED at 3000K and WD-2 LED at 2800K with 40° optic option.

203-S-RM-HI-3000-40 w/ FLS-2-WW TRIM – FOOTCANDLES ON WALL

FIXTURE DISTANCE TO WALL		24"						30"					
FIXTURE CENTERS (SPACING)			24"			30"			30"			36"	
DISTANCE FROM CEILING	1'	7.9	9.2	7.9	7.1	7.8	7.1	2.1	2.2	2.1	1.8	2.1	1.8
	2'	51.4	57.6	51.4	45.7	48.6	45.7	22.9	25.8	22.9	20.8	22.4	20.8
	3'	50.3	56.2	50.3	45.0	50.1	45.0	35.7	40.0	35.7	32.5	35.7	32.5
	4'	33.7	37.1	33.7	30.7	34.4	30.7	30.1	33.6	30.1	27.6	30.9	27.6
	5'	21.2	22.8	21.2	19.6	21.6	19.6	21.6	23.7	21.6	20.0	22.4	20.0
	6'	13.4	14.2	13.4	12.6	13.7	12.6	14.9	16.1	14.9	14.0	15.4	14.0
	7'	8.8	9.2	8.8	8.4	8.9	8.4	10.3	10.9	10.3	9.7	10.6	9.7
	8'	6.0	6.2	6.0	5.7	6.1	5.7	7.2	7.6	7.2	6.9	7.4	6.9
	9'	4.2	4.3	4.2	4.1	4.2	4.1	5.2	5.4	5.2	5.0	5.3	5.0

Performance shown for 3000K. Output varies by CCT.

203-S-RM-WD-40 w/ FLS-2-WW TRIM – FOOTCANDLES ON WALL

FIXTURE DISTANCE TO WALL		24"						30"					
FIXTURE CENTERS (SPACING)			24"			30"			30"			36"	
DISTANCE FROM CEILING	1'	5.8	6.8	5.8	5.2	5.8	5.2	1.5	1.6	1.5	1.3	1.5	1.3
	2'	34.8	39.1	34.8	31.0	33.2	31.0	15.6	17.5	15.6	14.2	15.2	14.2
	3'	34.2	38.2	34.2	30.7	34.2	30.7	24.2	27.1	24.2	22.0	24.3	22.0
	4'	23.4	25.6	23.4	21.3	23.8	21.3	20.5	22.9	20.5	18.8	21.2	18.8
	5'	14.9	16.0	14.9	13.8	15.3	13.8	14.9	16.4	14.9	13.9	15.5	13.9
	6'	9.6	10.2	9.6	9.1	9.8	9.1	10.5	11.3	10.5	9.8	10.8	9.8
	7'	6.4	6.7	6.4	6.1	6.5	6.1	7.3	7.8	7.3	6.9	7.5	6.9
	8'	4.4	4.5	4.4	4.2	4.4	4.2	5.2	5.5	5.2	5.0	5.3	5.0
	9'	3.1	3.2	3.1	3.0	3.1	3.0	3.8	3.9	3.8	3.6	3.9	3.6

Performance shown for 3000K. Output varies by CCT.