

203-R-RM/203-R-RM-RT REMODEL WALL WASH LED
FLR-2-WW WALL WASH TRIM
NON-IC + AIRTIGHT RATED



526 Portal Street
 Cotati, CA 94931
 USA
 P 707.794.0888
 www.8lighting.com

All No. 8 Lighting fixtures and components are UL Listed to both U.S. and Canadian requirements. No. 8 Lighting trims and lamp modules are protected by one or more U.S. Patents. No. 8 Lighting reserves the right to change details of design, materials, and finish.

© 2026 No. 8 Lighting
 Doc # 91411-13.4



Project Name	
Date	Type
Prepared By	
Comments	
Catalog #	- - / - / FLR-2-WW - -

PRODUCT FEATURES



203-R-RM
 ROUND WALL WASH LIGHT ENGINE
 and INTEGRAL POWER SUPPLY



203-R-RM-RT
 ROUND WALL WASH LIGHT ENGINE
 for REMOTE POWER SUPPLY



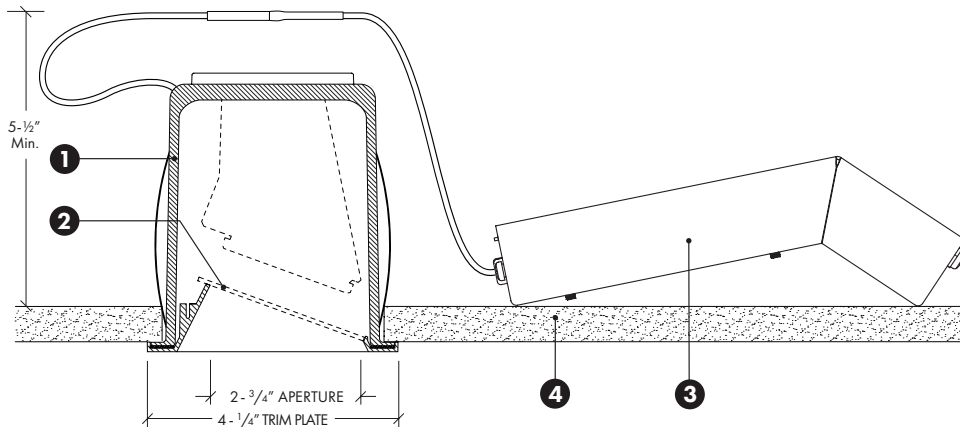
200 SERIES TRIMS
 FLANGED or FLANGELESS

203-R-RM/203-R-RM-RT SPECIFICATION SUMMARY

LED Option	Static White				Warm Dimming		
	HI-2700	HI-3000	HI-3500	HI-4000	WD	WD-2	WD-4
Delivered Lumens	939	988	1028	1057	714	693	756
System Wattage	14	14	14	14	15	15	14.4
Efficacy	67	71	73	76	48	46	52
CRI	92+	92+	92+	92+	97+	95+	95
R9	61	57	61	58	81	74	71
CCT	2700K	3000K	3500K	4000K	3000-1800K	2800-2200K	3000-2200K
Color Consistency	2-Step				3-Step		
Optic Options	40, 60						
Optical Accessories	N/A						
Adjustability	Fixed Position (20° Wall Wash)						
Driver Options	INTEGRAL: <1/5% Forward/Reverse Phase (120v), 0.1/1/5% 0-10v (120-277v), 0.1/1% DALI (120-277v), 0.1/1% EcoSystem (120 or 277v) REMOTE: <1% Forward/Reverse Phase (120v), 0.1/1/1% 0-10v (120-277v), 0.1/1% DALI (120-277v), 0.1% EcoSystem (120 or 277v)						
Trim	Round Wall Wash						
Finish Options	White, Oil-Rubbed Bronze, Satin Aluminum, Satin Aluminum w/ White Flange						
Trim Mounting Options	Flanged, Flangeless Sheetrock						
Trim Accessory	UL Wet Listed Wall Wash Lens						
Mounting Options	Remodel: Type Non-IC Air-Tight						

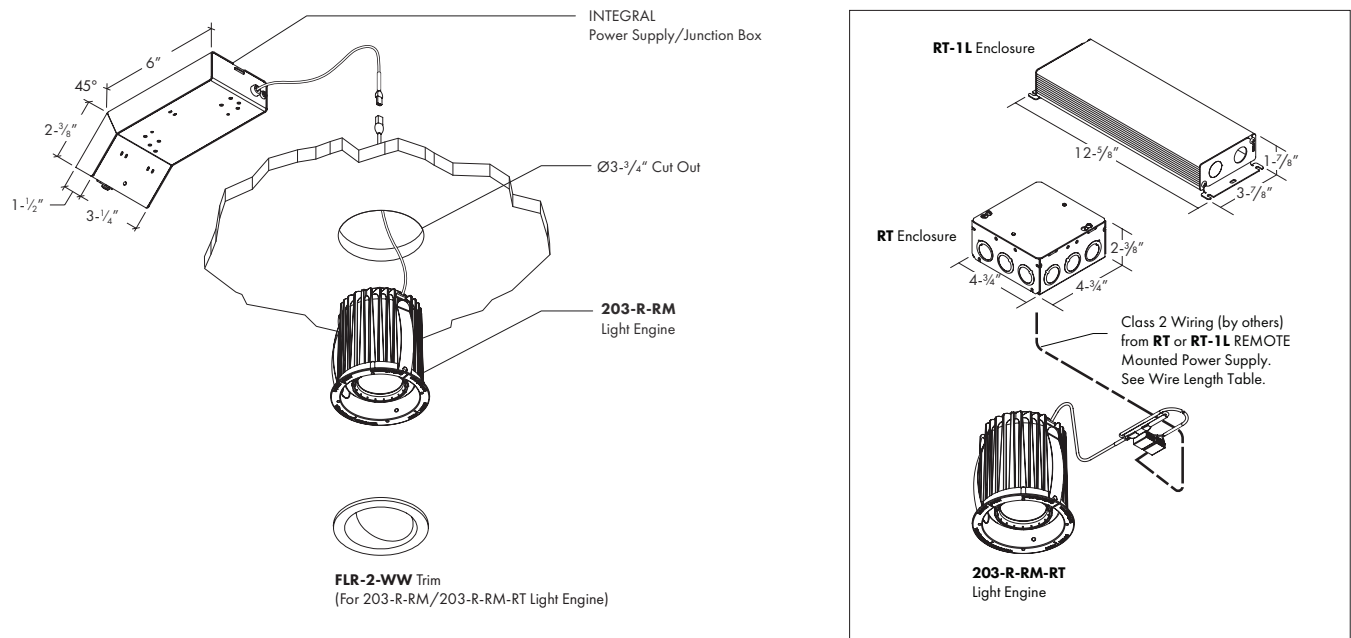
Performance data shown with FLR-2-WW Trim.
 Warm Dimming data shown for 3000K and 2800K.
 See Performance Summary for additional information.

203-R-RM/203-R-RM-RT REMODEL FIXTURE ASSEMBLY with FLANGED TRIM INSTALLATION



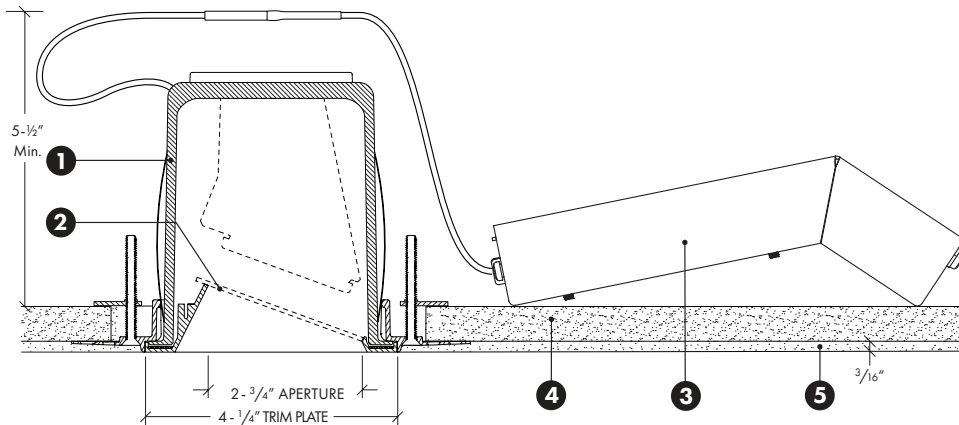
- 1) **203-R-RM /203-R-RM-RT** Wall Wash ROUND Light Engine with fixed 20° tilt.
- 2) **FLR-2-WW** Flanged ROUND WALL WASH Trim.
- 3) **Integral Power Supply/Junction Box** (shown) Installs from below finished ceiling and is accessible after installation. Requires 5-1/2" (Min.) clearance above ceiling for installation. **RT/RT-1L Remote Power Supply/Junction Box** (not shown) can be mounted up to 100ft from fixture using 12AWG Class 2 stranded wire. See wire length table on Page 2.
- 4) **Ceiling Material** (Sheetrock/Wood/Stone) Accommodates ceiling thicknesses from 1/2" (min) to 1-1/2" (max) without affecting aiming or rotation.

203-R-RM/203-R-RM-RT REMODEL FIXTURE ASSEMBLY with FLANGED TRIM INSTALLATION



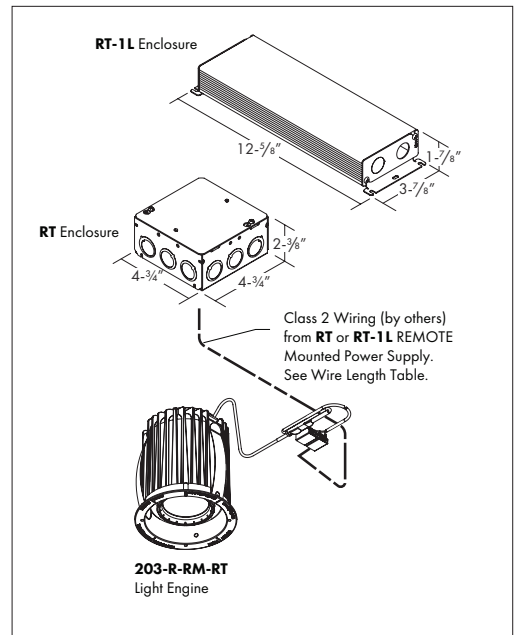
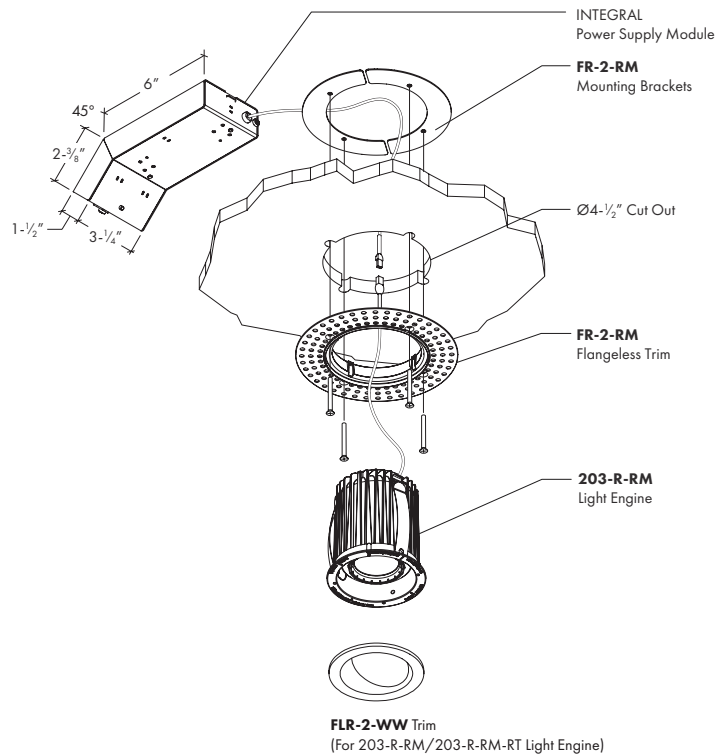
CEILING TYPES: Sheetrock, Wood & Stone | **CEILING THICKNESS:** 1/2" Min to 1-1/2" Max | **CUT-OUT:** Ø 3-3/4"

203-R-RM/203-R-RM-RT REMODEL FIXTURE ASSEMBLY with FR-2-RM FLANGELESS TRIM



- 1) **203-R-RM /203-R-RM-RT** Wall Wash ROUND Light Engine with fixed 20° tilt.
- 2) **FLR-2-WW** Flanged ROUND WALL WASH trim + **FR-2-RM** ROUND FLANGELESS trim accessory.
- 3) **Integral Power Supply/Junction Box** (shown) Installs from below finished ceiling and is accessible after installation. Requires 5-1/2" (Min.) clearance above ceiling for installation. **RT/RT-1L Remote Power Supply/Junction Box** (not shown) can be mounted up to 100ft from fixture using 12 AWG Class 2 stranded wire. See wire length table on Page 2.
- 4) **Ceiling Material** (Sheetrock) Accommodates ceiling thicknesses from 1/2" (min) to 1-1/2" (max) without affecting aiming or rotation.
- 5) **Ceiling Finish** (Drywall Compound or Plaster) Accommodates 3/16" finish thickness. Minimum level 4 or 5 finish recommended.

203-R-RM/203-R-RM-RT REMODEL FIXTURE ASSEMBLY with FR-2-RM FLANGELESS TRIM



CEILING TYPES: Sheetrock | **CEILING THICKNESS:** 1/2" Min to 1-1/2" Max | **CUT-OUT:** Ø 4-1/2"

203-R-RM w/ FLR-2-WW TRIM - PERFORMANCE SUMMARY

LED	CCT	CRI	R9	Delivered Lumens	System Wattage	Delivered LPW
HI-2700	2700K	92+	61	939	14	67
HI-3000	3000K	92+	56	988	14	71
HI-3500	3500K	92+	61	1028	14	73
HI-4000	4000K	92+	58	1057	14	76
WD	3000-1800K	97+	80	714	15	48
WD-2	2800-2200K	95+	74	693	15	46
WD-4	3000-2200K	95	71	756	14.5	52

Performance shown for HI LED with 40° optic option.

Performance shown for WD and WD-4 LED at 3000K and WD-2 LED at 2800K with 40° optic option.

203-R-RM-HI-3000-40 w/ FLR-2-WW TRIM – FOOTCANDLES ON WALL

DISTANCE FROM WALL		24"						30"					
ON CENTER SPACING			24"			30"			30"			36"	
DISTANCE FROM CEILING	1'	6.3	6.5	6.3	6.0	5.2	6.0	1.9	1.6	1.9	1.8	1.4	1.8
	2'	44.6	44.9	44.6	40.4	40.9	40.4	19.3	20.0	19.3	18.0	16.6	18.0
	3'	47.7	53.3	47.7	42.7	47.4	42.7	32.5	36.0	32.5	29.6	32.2	29.6
	4'	33.2	36.5	33.2	30.2	33.8	30.2	28.9	32.2	28.9	26.4	29.6	26.4
	5'	21.3	22.9	21.3	19.7	21.8	19.7	21.3	23.4	21.3	19.7	22.0	19.7
	6'	13.8	14.6	13.8	12.9	14.0	12.9	14.9	16.1	14.9	14.0	15.4	14.0
	7'	9.1	9.5	9.1	8.7	9.3	8.7	10.5	11.1	10.5	9.9	10.8	9.9
	8'	6.2	6.5	6.2	6.0	6.3	6.0	7.4	7.8	7.4	7.1	7.6	7.1
	9'	4.4	4.6	4.4	4.3	4.5	4.3	5.4	5.6	5.4	5.2	5.5	5.2

Performance shown for 3000K. Output varies by CCT.

203-R-RM-WD-40 w/ FLR-2-WW TRIM – FOOTCANDLES ON WALL

DISTANCE FROM WALL		24"						30"					
ON CENTER SPACING			24"			30"			30"			36"	
DISTANCE FROM CEILING	1'	5.2	5.6	5.2	4.9	4.5	4.9	1.5	1.2	1.5	1.4	1.1	1.4
	2'	34.6	38.7	34.6	31.3	31.8	31.3	15.2	16.0	15.2	14.1	13.3	14.1
	3'	35.4	39.7	35.4	31.7	35.4	31.7	24.6	27.8	24.6	22.4	24.7	22.4
	4'	24.2	26.6	24.2	22.0	24.7	22.0	21.3	23.9	21.3	19.5	22.0	19.5
	5'	15.4	16.5	15.4	14.2	15.7	14.2	15.5	17.0	15.5	14.4	16.1	14.4
	6'	9.8	10.4	9.8	9.2	10.0	9.2	10.8	11.7	10.8	10.1	11.1	10.1
	7'	6.5	6.8	6.5	6.2	6.6	6.2	7.5	8.0	7.5	7.1	7.7	7.1
	8'	4.4	4.6	4.4	4.3	4.5	4.3	5.3	5.6	5.3	5.1	6.4	5.1
	9'	3.1	3.2	3.1	3.2	3.0	3.2	3.8	4.0	3.8	3.7	3.9	3.7

Performance shown for 3000K. Output varies by CCT.