

**203-R NEW CONSTRUCTION WALL WASH LED**  
**FLR-2-WW WALL WASH TRIM**  
**NON-IC/IC-CP RATED HOUSINGS**



526 Portal Street  
 Cotati, CA 94931  
 USA  
 P 707.794.0888  
 www.8lighting.com

All No. 8 Lighting fixtures and components are UL Listed to both U.S. and Canadian requirements. No. 8 Lighting trims and lamp modules are protected by one or more U.S. Patents. No. 8 Lighting reserves the right to change details of design, materials, and finish.

© 2026 No. 8 Lighting  
 Doc # 91405-13.5

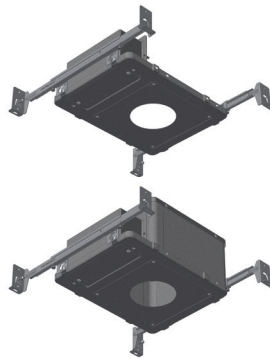


Project Name	
Date	Type
Prepared By	
Comments	
Catalog # <b>203-R</b> - - / / <b>FLR-2-WW</b> - - / -	

**PRODUCT FEATURES**



**203-R**  
 ROUND WALL WASH LIGHT ENGINE



**200 SERIES HOUSINGS**  
 TYPE NON-IC or IC-CP RATED for ROUND TRIMS



**200 SERIES TRIMS**  
 FLANGED or FLANGELESS

**203-R SPECIFICATION SUMMARY**

LED Option	Static White				Warm Dimming		
	HI-2700	HI-3000	HI-3500	HI-4000	WD	WD-2	WD-4
Delivered Lumens	939	988	1028	1057	714	693	756
System Wattage	14	14	14	14	15	15	14.5
Efficacy	67	71	73	76	48	46	52
CRI	92+	92+	92+	92+	97+	95+	95
R9	61	57	61	58	81	74	71
CCT	2700K	3000K	3500K	4000K	3000-1800K	2800-2200K	3000-2200K
Color Consistency	2-Step				3-Step		
Optic Options	40, 60						
Optical Accessories	N/A						
Adjustability	Fixed Position (20° Wall Wash)						
Driver Options	<1/5% Forward/Reverse Phase (120v), 0.1/1/5% 0-10v (120-277v), 0.1/1% DALI (120-277v), 0.1/1% EcoSystem (120 or 277v)						
Trim	Round Wall Wash						
Finish Options	White, Oil-Rubbed Bronze, Satin Aluminum, Satin Aluminum w/ White Flange						
Trim Mounting Options	Flanged, Flangeless Sheetrock, Flangeless Wood						
Trim Accessory	UL Wet Listed Wall Wash Lens						
Housing Options	New Construction: Type Non-IC Air-Tight, Type IC-CP Rated CCEA Approved Air-Tight						

Performance data shown with FLR-2-WW Trim.  
 Warm Dimming data shown for 3000K and 2800K.  
 See Performance Summaries for additional information.

PRODUCT SPECIFIER/PRODUCT ORDER NUMBER

**203-R**

LIGHT ENGINE -

LED  
OPTIONS

- OPTIC OPTIONS /

DRIVER OPTIONS /



**203-R**  
Wall Wash NEW CONSTRUCTION  
AIRTIGHT Light Engine with fixed 20° tilt  
for ROUND WALL WASH trim

**HI-2700**  
2700K 92+ CRI White  
**HI-3000**  
3000K 92+ CRI White  
**HI-3500**  
3500K 92+ CRI White  
**HI-4000**  
4000K 92+ CRI White  
**WD**  
3000-1800K 97+ CRI Warm Dim  
**WD-2**  
2800-2200K 95+ CRI Warm Dim  
**WD-4**  
3000-2200K 95 CRI Warm Dim

**40**  
Flood  
**60**  
Wide Flood

**PR1-2**  
Premium Forward or Reverse-Phase <1% Dimming  
**DIM3-2**  
Forward or Reverse-Phase 5% Dimming  
**DIM4-2**  
0-10v 5% Dimming  
**EL1-2**  
EldoLED 0-10v 1% Dimming  
**EL1-01-2**  
EldoLED 0-10v 0.1% Dimming  
**EL2-2**  
EldoLED DALI 1% Dimming  
**EL2-01-2**  
EldoLED 0.1% DALI Dimming  
**LU2-2**  
Lutron Hi-Lume LDE1 EcoSystem 1% Dimming  
**LU4-2**  
Lutron Hi-Lume PEQOE EcoSystem 0.1% Dimming

**FLR-2-WW**

TRIM -

TRIM FINISH -

TRIM MOUNTING ACCESSORIES  
(Optional) /

HOUSING OPTIONS -

MOUNTING  
OPTIONS



**FLR-2-WW\***  
4 - 1/4" ROUND WALL WASH with  
2 - 3/4" angle-cut aperture and wall  
wash lens  
\*UL Wet listed.

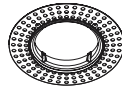
**WH**  
WHITE

**OB\***  
OIL-RUBBED BRONZE

**SA\*†**  
SATIN ALUMINUM

**SAWH\*†**  
SATIN ALUMINUM with WHITE  
flange  
\*Specialty finish.

†Not available with FLAT trim option.



**FR-2\***  
ROUND FLANGELESS trim accessory for  
flush mounting FLR-2/FLR-2-BV trims in  
sheetrock ceiling applications  
\*For use with NIC-FR or IC-CP-FR housing  
options only.

**NIC-R**  
Type Non-IC for ROUND flanged trim  
applications

**NIC-FR\***  
Type Non-IC for ROUND flangeless trim in  
sheetrock applications

**NIC-FR-W**  
Type Non-IC for ROUND flangeless trim in  
wood/stone applications

**IC-CP-R**  
Type IC Chicago Plenum Rated for ROUND  
flanged trim applications

**IC-CP-FR\***  
Type IC Chicago Plenum Rated for ROUND  
flangeless trim in sheetrock applications

**IC-CP-FR-W**  
Type IC Chicago Plenum Rated for ROUND  
flangeless trim in wood/stone applications

\*Requires FR-2 flangeless trim accessory.

**BH**  
Bar Hangers for joist  
mounting

**BB**  
Butterfly Brackets for c-  
channel or bar mounting

**TBC-BH**  
T-Bar Mounting Clips +  
Bar Hangers for T-Bar  
mounting

**PMB**  
Panel Mounting  
Brackets (set of two) for  
direct mounting to wood  
panels

**Light Engine, LED, Optic Option, and Accessory Notes**

**203-R** Wall wash NEW CONSTRUCTION light engine with fixed 20° tilt for ROUND WALL WASH trim. Light engine meets Washington State Airtight Standard WAC 51-11-0502 and in accordance with ASTM E283 to reduce energy loss. Use for wall wash lighting applications. To ensure fixture to fixture color consistency, use of the same LED option with adjacent fixtures is recommended. One field interchangeable optic option included standard.

**Driver and Output Option Notes**

0-10v driver options are configured for linear control. DALI driver options are configured for logarithmic control. No.8 Lighting conducts extensive testing to establish compatibility with many dimmer types. For a complete list of compatible dimmers, see [8lighting.com/resources-downloads](http://8lighting.com/resources-downloads). Outputs vary depending on LED type, trim type, and optical accessories used. For photometric files in PDF and IES formats, see: [8lighting.com/200-series-photometry](http://8lighting.com/200-series-photometry).

**Trim Finish and Accessory Notes**

White trim finish is field paintable to match ceiling color. Lot variations may occur with specialty finishes. Ordering ALL trim kits at the same time is recommended to minimize finish variations. Trim lens accessories are factory installed into trim plates and are UL WET LISTED and rated for use in DRY, DAMP, or WET locations (covered ceiling applications only). Approved for use in residential steam applications. Not for use in commercial steam applications.

**Housing and Installation Notes**

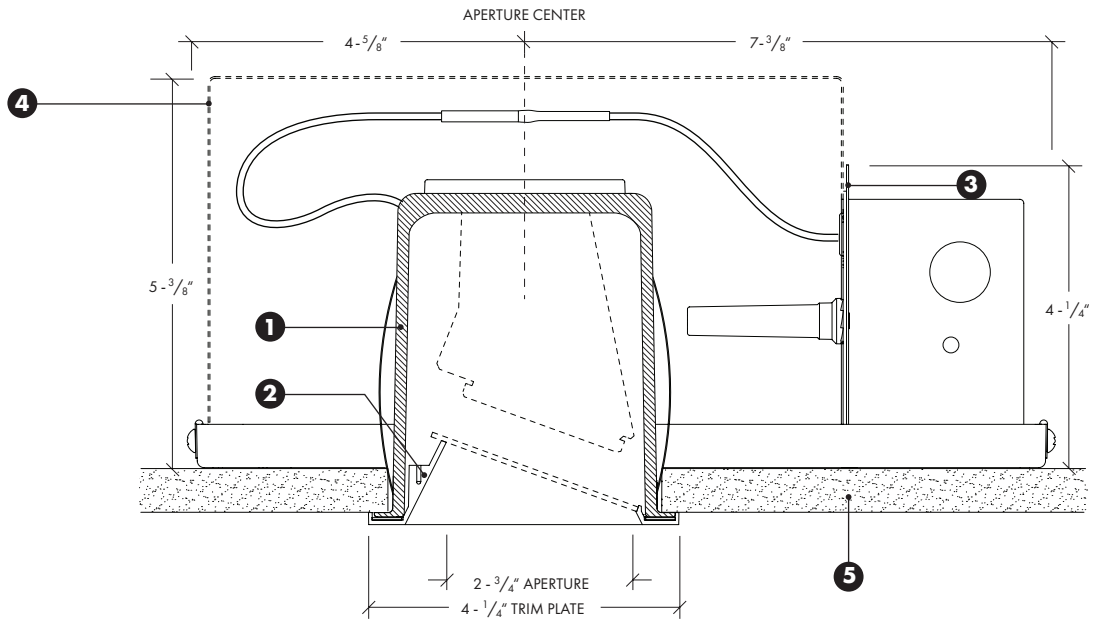
Type Non-IC housings are rated for installations where insulation is held back a minimum of 3" away from sides and top. Type IC-CP housings are rated for direct contact with standard or spray-foam thermal insulation with a max combined R-Value of R42. Type IC-CP housings meet Washington State Airtight Standard WAC 51-11-0502 and in accordance with ASTM E283 to reduce energy loss and are CCEA plenum rated for City of Chicago environmental air spaces. For installations in direct contact with thermal insulation, ambient temperatures in ceiling space should not exceed 25°C (77°F) during normal operation. For installations where insulation is held back a minimum of 3" from sides and top, ambient temperatures in ceiling space should not exceed 40°C (104°F) during normal operation.

**Warranty**

All No. 8 Lighting products are covered by a 5 year limited warranty. Products installed in residential steam applications are covered by a 2 year limited warranty. For specific warranty details and limitations, see: [8lighting.com/resources-downloads](http://8lighting.com/resources-downloads).

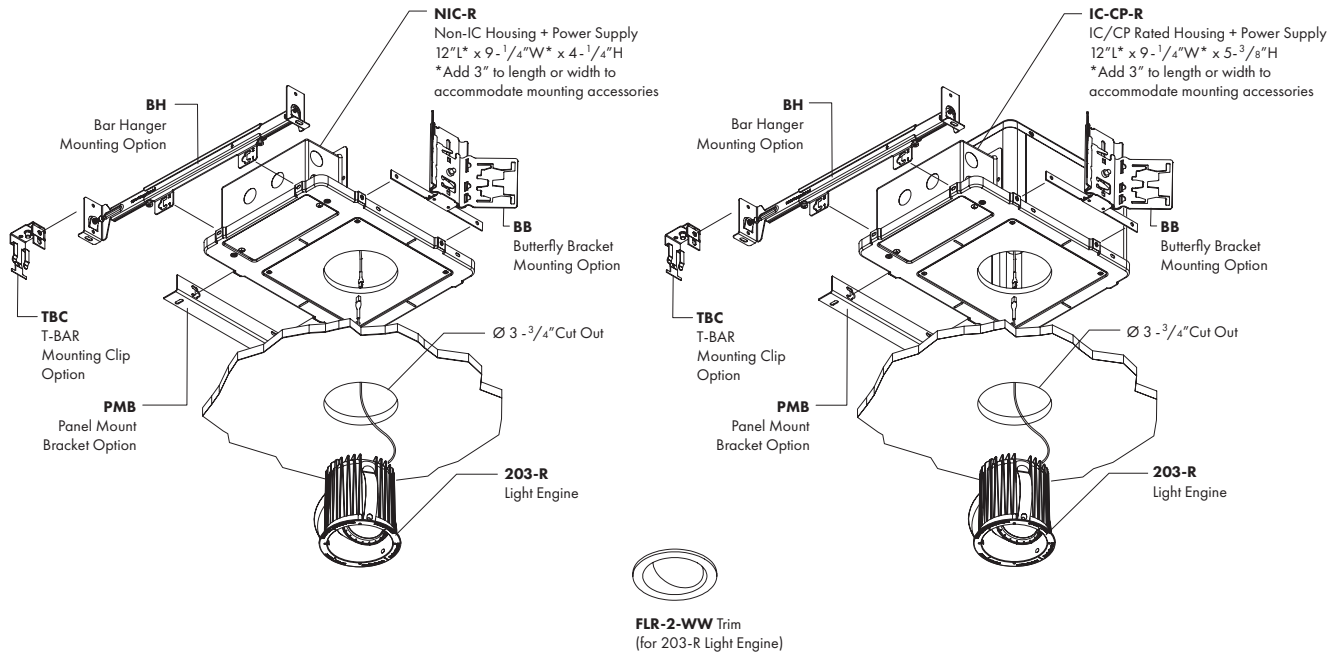
**JA8-2025 CA Title 24 Compliant** except with Type Non-IC housing options:  
**NIC-R, NIC-FR, and NIC-FR-W.**

## 203-R + NIC-R and IC-CP-R NEW CONSTRUCTION HOUSINGS with FLANGED TRIM INSTALLATION



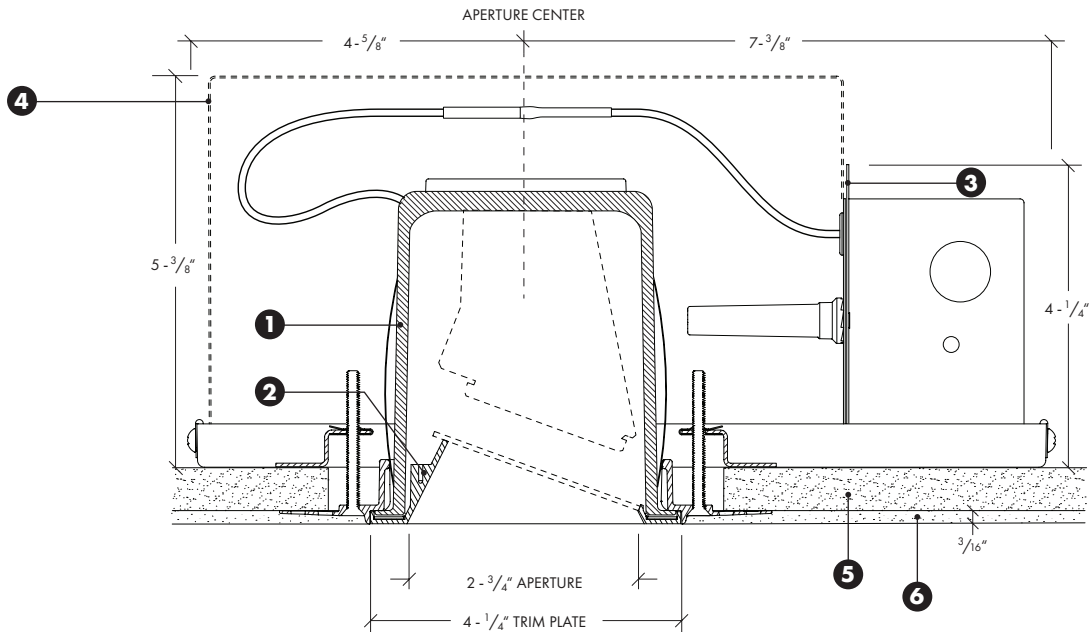
- 1) 203-R Wall Wash ROUND Light Engine with fixed 20° tilt.
- 2) FLR-2-WW Flanged ROUND WALL WASH Trim.
- 3) NIC-R Type Non-IC housing and power supply for ROUND light engine and FLANGED trim installation.
- 4) IC-CP-R (shown dashed) Type IC Rated/Air-tight/CCEA approved housing and power supply for ROUND light engine and FLANGED trim installation.
- 5) Ceiling Material (Sheetrock/Wood/Stone/Acoustic Tile) Accommodates ceiling thicknesses from 1/2" (min) to 1-1/2" (max) without affecting aiming or rotation.

## 203-R + NIC-R and IC-CP-R NEW CONSTRUCTION HOUSINGS with FLANGED TRIM INSTALLATION



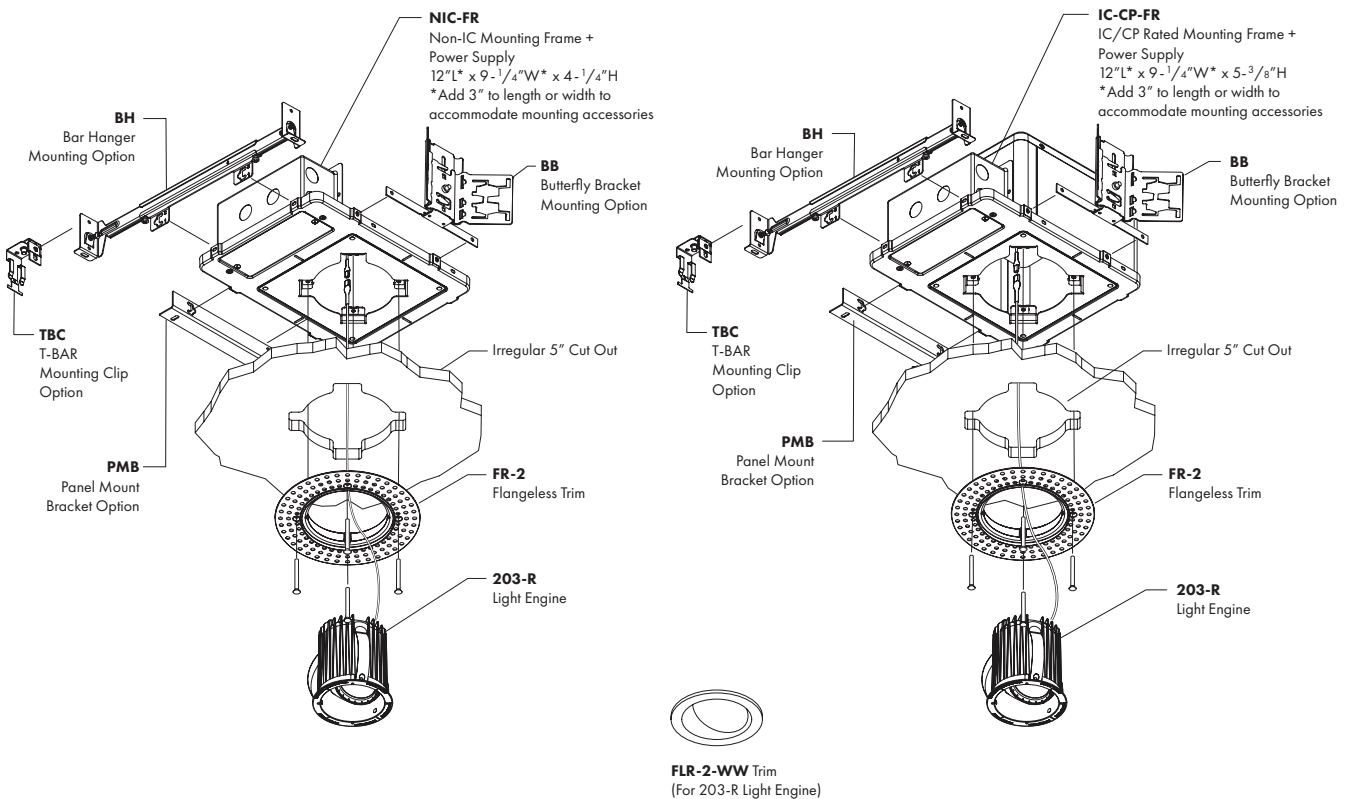
**CEILING TYPES:** Sheetrock, Wood, Stone & Acoustic Tile | **CEILING THICKNESS:** 1/2" Min to 1-1/2" Max | **CUT-OUT:** Ø 3-3/4"

**203-R + NIC-FR and IC-CP-FR with FLANGELESS TRIM INSTALLATION for SHEETROCK CEILINGS**



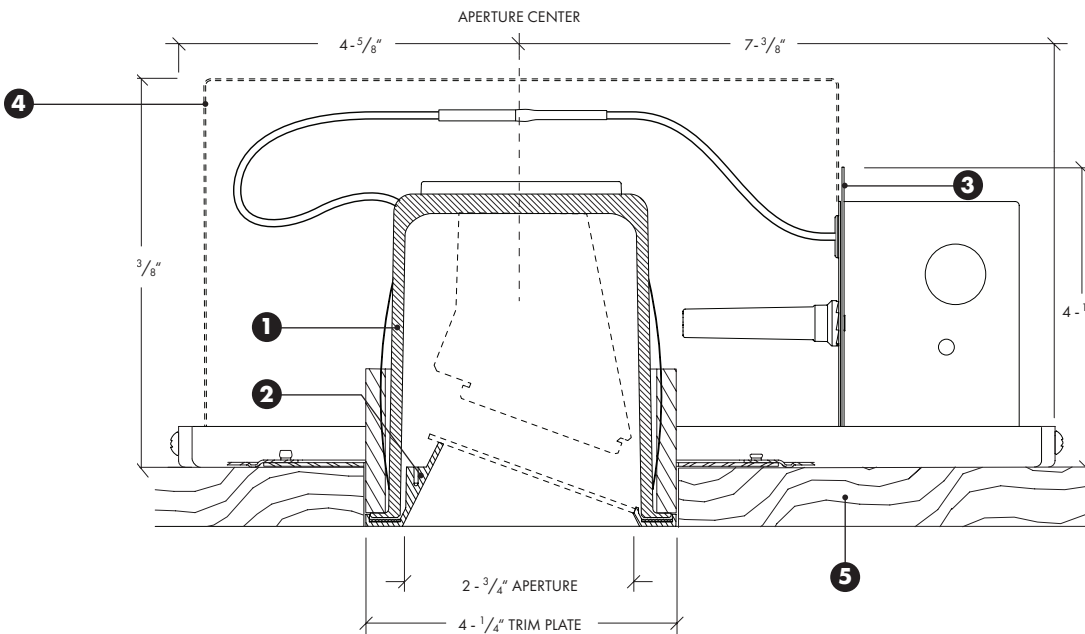
- 1) 203-R Wall Wash ROUND Light Engine with fixed 20° tilt.
- 2) FLR-2-WW Flanged ROUND WALL WASH trim+ FR-2 ROUND FLANGELESS trim accessory.
- 3) NIC-FR Type Non-IC housing and power supply for ROUND light engine and FLANGELESS trim in sheetrock applications.
- 4) IC-CP-FR (shown dashed) Type IC Rated/Air-tight/CCEA approved housing and power supply for ROUND light engine and FLANGELESS trim in sheetrock ceiling applications.
- 5) Ceiling Material (Sheetrock) Accommodates ceiling thicknesses from 1/2" (min) to 1-1/2" (max) without affecting aiming or rotation.
- 6) Ceiling Finish (Drywall Compound or Plaster) Accommodates 3/16" finish thickness. Minimum level 4 or 5 finish recommended.

**203-R + NIC-FR and IC-CP-FR with FLANGELESS TRIM INSTALLATION for SHEETROCK CEILINGS**



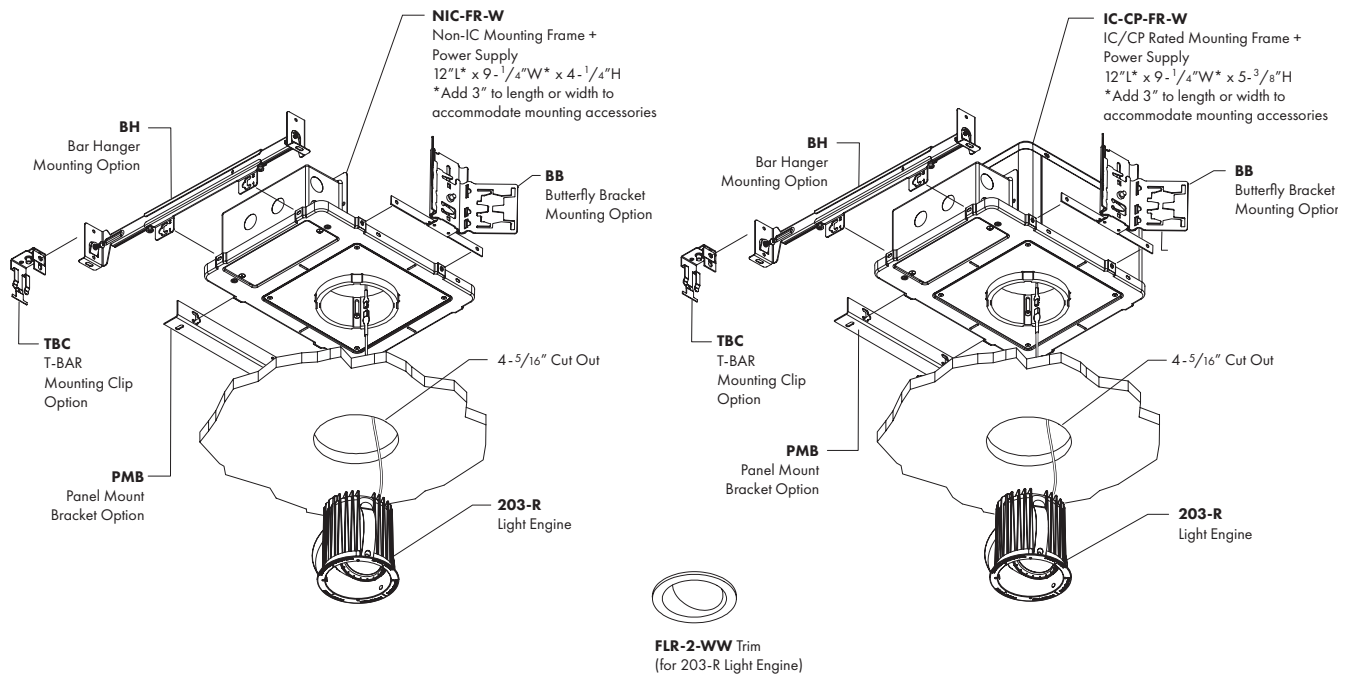
**CEILING TYPES:** Sheetrock | **CEILING THICKNESS:** 1/2" Min to 1-1/2" Max | **CUT-OUT:** 5" Irregular

**203-R + NIC-FR-W and IC-CP-FR-W with FLANGELESS TRIM INSTALLATION for WOOD/STONE CEILINGS**



- 1) 203-R Wall Wash ROUND Light Engine with fixed 20° tilt.
- 2) FLR-2-WW Flanged ROUND WALL WASH trim.
- 3) NIC-FR-W Type Non-IC housing and power supply for ROUND light engine and FLANGELESS trim in wood/stone ceiling applications.
- 4) IC-CP-FR-W (shown dashed) Type IC Rated/Air-tight/CCEA approved housing and power supply for ROUND light engine and FLANGELESS trim in wood/stone ceiling applications.
- 5) Ceiling Material (Wood/Stone) Accommodates ceiling thicknesses from 1/2" (min) to 1-1/2" (max).

**203-R + NIC-FR-W and IC-CP-FR-W with FLANGELESS TRIM INSTALLATION for WOOD/STONE CEILINGS**



**CEILING TYPES:** Wood/Stone | **CEILING THICKNESS:** 1/2" Min to 1-1/2" Max | **CUT-OUT:** Ø 4-5/16"

**203-R with FLR-2-WW TRIM - PERFORMANCE SUMMARY**

LED	CCT	CRI	R9	Delivered Lumens	System Wattage	Delivered LPW
HI-2700	2700K	92+	61	939	14	67
HI-3000	3000K	92+	57	988	14	71
HI-3500	3500K	92+	61	1028	14	73
HI-4000	4000K	92+	58	1057	14	76
WD	3000-1800K	97+	81	714	15	48
WD-2	2800-2200K	95+	74	693	15	46
WD-4	3000-2200K	95	71	756	14.5	52

Performance shown for HI LED with 40° optic option.

Performance shown for WD and WD-4 LED at 3000K and WD-2 LED at 2800K with 40° optic option.

**203-R-HI-3000-40 w/ FLR-2-WW TRIM – FOOTCANDLES ON WALL**

DISTANCE FROM WALL		24"						30"					
ON CENTER SPACING			24"			30"			30"			36"	
DISTANCE FROM CEILING	1'	6.3	6.5	6.3	6.0	5.2	6.0	1.9	1.6	1.9	1.8	1.4	1.8
	2'	44.6	49.9	44.6	40.4	40.9	40.4	19.3	20.0	19.3	18.0	16.6	18.0
	3'	47.7	53.3	47.7	42.7	47.4	42.7	32.5	36.0	32.5	29.6	32.2	29.6
	4'	33.2	36.5	33.2	30.2	33.8	30.2	28.9	32.2	28.9	26.4	29.6	26.4
	5'	21.3	22.9	21.3	19.7	21.8	19.7	21.3	23.4	21.3	19.7	22.0	19.7
	6'	13.8	14.6	13.8	12.9	14.0	12.9	14.9	16.1	14.9	14.0	15.4	14.0
	7'	9.1	9.5	9.1	8.7	9.3	8.7	10.5	11.1	10.5	9.9	10.8	9.9
	8'	6.2	6.5	6.2	6.0	6.3	6.0	7.4	7.8	7.4	7.1	7.6	7.1
	9'	4.4	4.6	4.4	4.3	4.5	4.3	5.4	5.6	5.4	5.2	5.5	5.2

Performance shown for 3000K. Output varies by CCT.

**203-R-WD-40 w/ FLR-2-WW TRIM - FOOTCANDLES ON WALL**

DISTANCE FROM WALL		24"						30"					
ON CENTER SPACING			24"			30"			30"			36"	
DISTANCE FROM CEILING	1'	5.2	5.6	5.2	4.9	4.5	4.9	1.5	1.2	1.5	1.4	1.1	1.4
	2'	34.6	38.7	34.6	31.3	31.8	31.3	15.2	16.0	15.2	14.1	13.3	14.1
	3'	35.4	39.7	35.4	31.7	35.4	31.7	24.6	27.8	24.6	22.4	24.7	22.4
	4'	24.2	26.6	24.2	22.0	24.7	22.0	21.3	23.9	21.3	19.5	22.0	19.5
	5'	15.4	16.5	15.4	14.2	15.7	14.2	15.5	17.0	15.5	14.4	16.1	14.4
	6'	9.8	10.4	9.8	9.2	10.0	9.2	10.8	11.7	10.8	10.1	11.1	10.1
	7'	6.5	6.8	6.5	6.2	6.6	6.2	7.5	8.0	7.5	7.1	7.7	7.1
	8'	4.4	4.6	4.4	4.3	4.5	4.3	5.3	5.6	5.3	5.1	6.4	5.1
	9'	3.1	3.2	3.0	3.2	3.0	3.2	3.8	4.0	3.8	3.7	3.9	3.7

Performance shown for 3000K. Output varies by CCT.