

MPT3-S-SM-2SC MONOPOINT SQUARE SURFACE MOUNT 2-1/2" CANOPY for INTEGRAL DRIVER

Project Name	
Date	Type
Prepared By	
Comments	
Catalog # MPT3-S-SM-2SC - / - - / PR1-M2 - /	



526 Portal Street
Cotati, CA 94931
USA
P 707.794.0888
www.8lighting.com

All No. 8 Lighting fixtures and components are UL Listed to both U.S. and Canadian requirements. No. 8 Lighting trims and lamp modules are protected by one or more U.S. Patents. No. 8 Lighting reserves the right to change details of design, materials, and finish.

© 2026 No. 8 Lighting
Doc # 91215-13.2



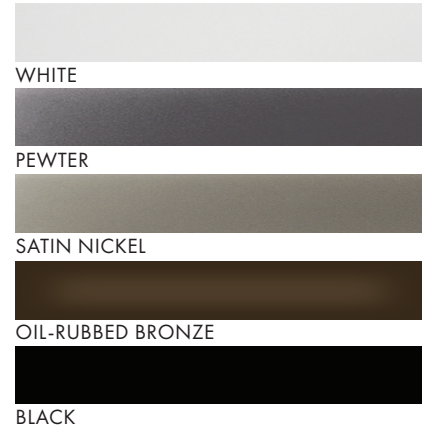
PRODUCT FEATURES

MPT3-S-SM-2SC - SURFACE MOUNT 2-1/2" CANOPY for INTEGRAL DRIVER



Features three field adjustable housing positions with 0-110° tilt and 360° rotation. See Pages 5-6 for additional details.

AVAILABLE FINISHES:



MPT3 SERIES SPECIFICATION SUMMARY

	Static White Standard Output			Warm Dimming		
	HI-3	HI-2	HI	WD	WD-2	WD-4
LED Options	HI-3	HI-2	HI	WD	WD-2	WD-4
Delivered Lumens	1003	998	1220	1024	940	1057
System Wattage	14.6	14.8	14.4	14.6	14.7	14.5
Efficacy	69	68	85	70	64	73
CRI	98	94	92	95	96	95
R9	97	62	55	73	73	69
CCT Options	2700K, 3000K			3000-1800K	2800-2200K	3000-2200K
Optic Options	15, 25, 40	10	15, 25, 40	15, 25, 40		
Color Consistency	2-Step			3-Step		
Optical Accessories	Narrow, Medium, Wide, Extra Wide, Linear Spread, and 2400K, 2700K, 3500K Color Filters					
Adjustability	110° Tilt, 320° Rotation, Lockable					
Driver Options	INTEGRAL: <1% Forward/Reverse Phase (120v)					
Finish Options	White, Oil-Rubbed Bronze, Pewter, Satin Nickel, Black					
Mounting Options	Ceiling/Wall Mount: 6, 12, 18, 24 Stem Options					
Junction Box	4" x 1-1/2" Deep (min.)					

Static White data shown for 3000K.
Warm Dimming data shown for 3000K and 2800K.
See Performance Summaries for additional information.

PRODUCT SPECIFIER/PRODUCT ORDER NUMBER

MPT3-S-SM-2SC - - - / - - - /

MONOPOINT
SURFACE MOUNT

STEM
OPTIONS*

FINISH

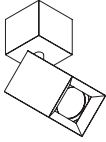
LED OPTIONS

OPTIC OPTIONS

OPTICAL ACCESSORIES
(Optional)

MPT3-S-SM-2SC

SQUARE Monopoint with 2-1/2" SQUARE Surface Mount Canopy for INTEGRAL driver



6
(standard)

12

18

24†

* See pages 5-6 for additional details.

† Not for use in wall mount applications.



WH
WHITE



PW
PEWTER*



SN
SATIN NICKEL*



OB
OIL-RUBBED BRONZE*



BK
BLACK

* Specialty finish.

HI-27

2700K White LED

HI

3000K White LED

HI-2-27*

2700K White LED

HI-2*

3000K White LED

HI-3-27†

2700K White LED

HI-3†

3000K White LED

WD†

3000-1800K Warm Dim LED

WD-2†

2800-2200K Warm Dim LED

WD-4†

3000-2200K Warm Dim LED

* For use with 10° optic only. Available in standard output only.

† Available in standard output only.

10*

10°

Very Narrow Spot

15†

15°

Narrow Spot

25†

25°

Narrow Flood

40†

40°

Flood

* For use with HI-2 or HI-3 LED options only.

† For use with HI, HI-3, WD, WD-2, or WD-4 LED options only.

HEX

Hex-Cell Louver

NSP

Narrow Softening Lens

NFL

Medium Softening Lens

FL

Wide Softening Lens

WFL

Extra Wide Softening Lens

LS

Linear Spread Softening Lens

CF24*

2400K Color Filtering Lens

CF27**

2700K Color Filtering Lens

CF35**

3500K Color Filtering Lens

* For use with HI, HI-2, and HI-3 2700K LED options only.

** For use with HI, HI-2, and HI-3 3000K LED options only.

PR1-M2 - - - /

DRIVER OPTION

OUTPUT

MOUNTING ACCESSORIES

PR1-M2*

INTEGRAL Forward or Reverse-Phase <1% Dimming for Standard Depth Junction Box
*Requires 4" Square x 1-1/2" (min) Junction Box (by others) and MC-1 or MC-1.5 Mounting Collar (see Mounting Accessories).

350

Standard output for HI-3, HI-3-27, WD, WD-2, WD-4 LED Options

1000

Standard output for HI, HI-27, HI-2, or HI-2-27 LED Options

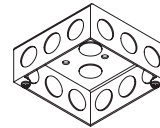
MC-1

Mounting Collar and 4" cover plate for 1/2" to 1" thick ceilings

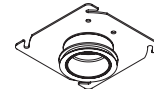
MC-1.5

Mounting Collar and 4" cover plate for 1" to 1-1/2" thick ceilings

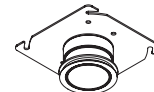
MOUNTING NOTES:



MPT3-S-SM-2SC Fixture with **PR1-M2** INTEGRAL driver requires a 4" square x 1-1/2" deep (min) junction box (supplied by others) and **MC-1** or **MC-1.5** Mounting Collar.



MC-1 Mounting Collar and 4" cover plate. Field adjustable to accommodate ceiling thicknesses of 1/2" to 1".



MC-1.5 Mounting Collar and 4" cover plate. Field adjustable to accommodate ceiling thicknesses of 1" to 1-1/2".

Features

MPT3-S-SM-2SC Fully adjustable SQUARE monopoint with 2-1/2" SQUARE surface mount canopy for INTEGRAL driver. Three field adjustable housing positions with 0-110° tilt and 360° rotation. Use for adjustable accent, wall wash, and general lighting applications. Minimal 1-3/4" aperture and integrated snoot with 1/2" beveled regress for glare control. Multiple stem lengths available - see Pages 5-6 for additional details.

Installation Notes

Ceiling or wall mountable. For standard output options, ambient temperatures adjacent to fixture should not exceed 40°C (104°F). UL damp listed for covered ceiling/wall applications. Not for use in wet locations.

Finish Notes

White finish is field paintable. Lot variation may occur with specialty finishes. Ordering ALL fixtures at the same time is recommended to minimize finish variation.

LED Option and Accessory Notes

To ensure fixture to fixture color consistency, use of the same LED option with adjacent fixtures is recommended. One field interchangeable optic option included standard. Up to three additional optical accessories can be accommodated.

Driver and Output Option Notes

0-10v and DMX driver options are configured for linear control. DALI driver options are configured for logarithmic control. No.8 Lighting conducts extensive testing to establish compatibility with many dimmer types. For a complete list of compatible dimmers, see 8lighting.com/resources-downloads. Outputs vary depending on LED type, trim type, and optical accessories used. For photometric files in PDF and IES formats, see 8lighting.com/mpt3-series.

Warranty

All No. 8 Lighting products are covered by a 5 year limited warranty. For specific warranty details and limitations, see 8lighting.com/resources-downloads.

JAB-2025 CA Title 24 Compliant.

MPT3 SERIES - PERFORMANCE SUMMARY

LED	OUTPUT	CCT	CRI	R9	Delivered Lumens	System Wattage	Delivered LPW
HI-27	1000	2700K	92	55	1038-1135	14	73-79
HI	1000	3000K	92	55	1116-1220	14	79-85
HI-2-27	1000	2700K	94	62	928	14.8	61
HI-2	1000	3000K	94	62	998	14.8	68
HI-3-27	350	2700K	98	92-97	848-933	14.7	58-64
HI-3	350	3000K	98	92-97	912-1003	14.7	62-69
WD	350	3000-1800K	95	73	954-1024	14.6	66-70
WD-2	350	2800-2200K	96	73	872-940	14.7	60-64
WD-4	350	3000-2200K	95	69	981-1057	14.5	68-73

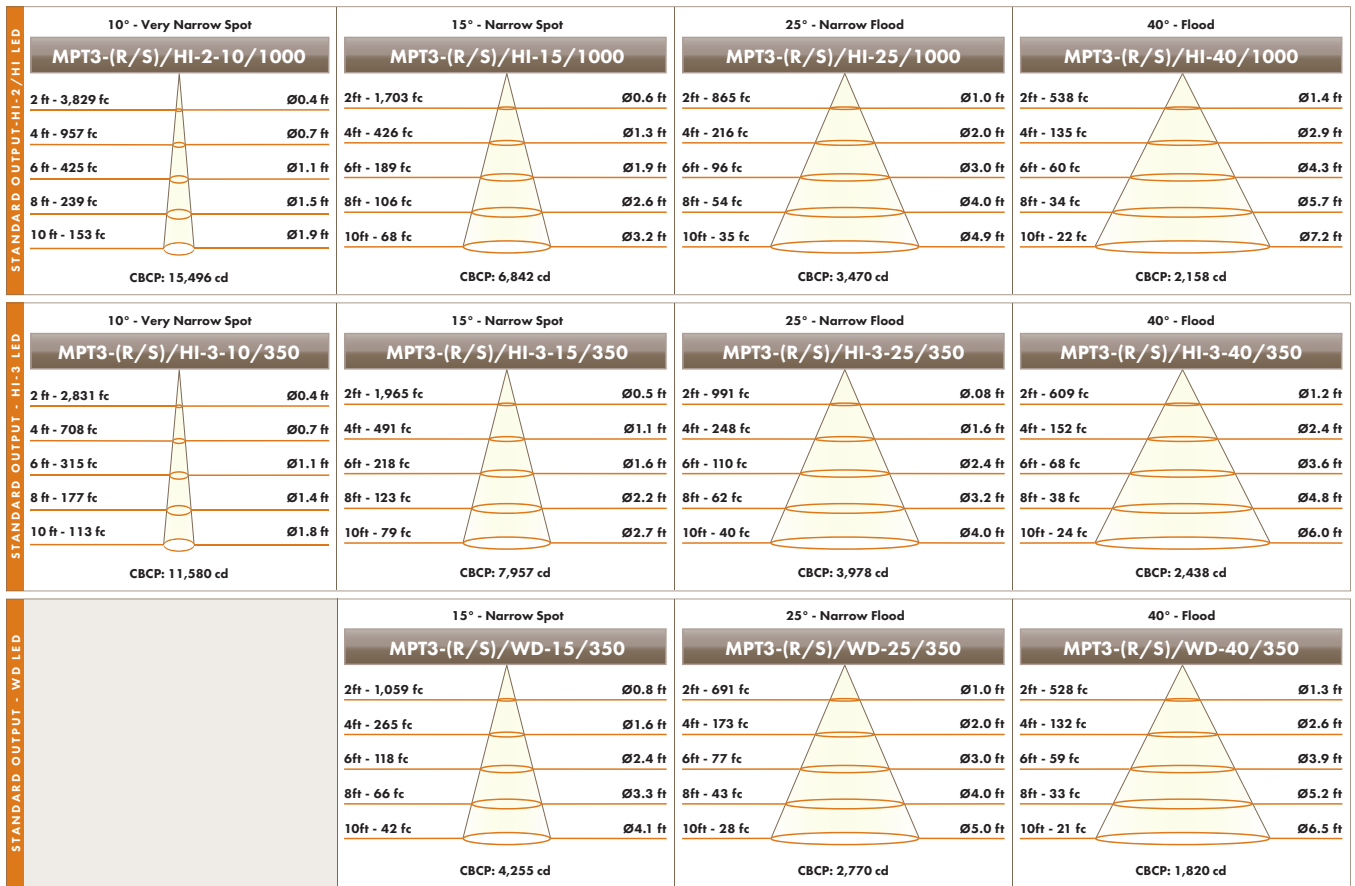
Performance summary for **HI** LED with 15°, 25°, and 40° optic options, **HI-2** LED with 10° optic option, and **HI-3** with 10°, 15°, 25°, and 40° optic options. Performance summary for **WD** and **WD-4** LED at 3000K and **WD-2** LED at 2800K with 15°, 25°, and 40° optic options.

MPT3 SERIES - OPTICAL OPTIONS AND ACCESSORY PERFORMANCE SUMMARY

OPTIC OPTIONS	LED OPTION	BEAM ENHANCING LENS (OPTIONAL)*				
		+ NSP	+ NFL	+ FL	+ WFL	+ LS
10° Very Narrow Spot	HI-2	14°	26°	47°	51°	13° x 37°
10° Very Narrow Spot	HI-3	14°	27°	48°	54°	13° x 47°
15° Narrow Spot	HI	20°	31°	54°	61°	21° x 46°
15° Narrow Spot	HI-3	17°	29°	52°	59°	17° x 45°
15° Narrow Spot	WD/WD-2/WD-4	24°	33°	52°	64°	23° x 49°
25° Narrow Flood	HI	29°	36°	55°	64°	29° x 51°
25° Narrow Flood	HI-3	24°	33°	55°	64°	24° x 49°
25° Narrow Flood	WD/WD-2/WD-4	29°	37°	56°	68°	28° x 53°
40° Flood	HI	40°	44°	63°	75°	38° x 60°
40° Flood	HI-3	34°	40°	62°	72°	33° x 56°
40° Flood	WD/WD-2/WD-4	37°	42°	62°	74°	36° x 59°

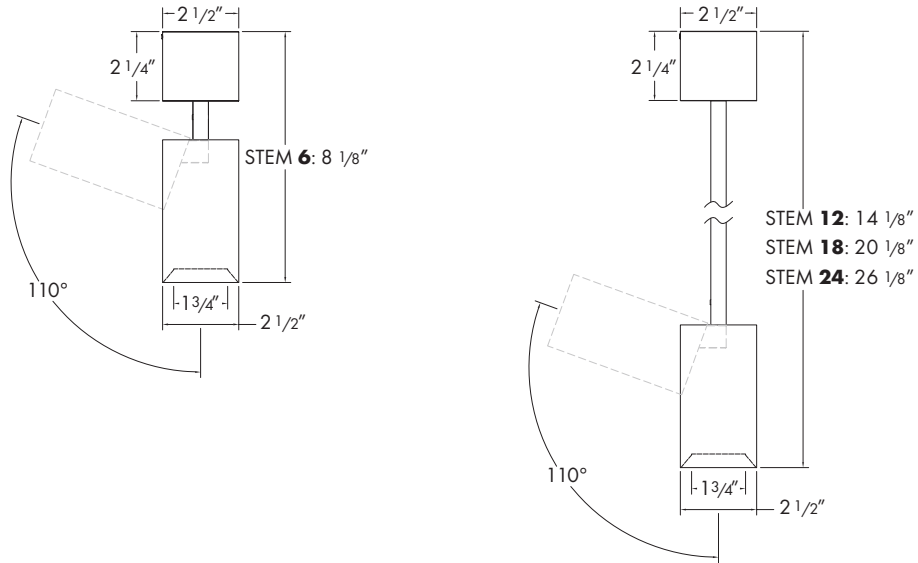
*Beam enhancing lens used in combination with 10°, 15°, 25°, or 40° optic to achieve desired beam spread.

MPT3 SERIES - CONE OF LIGHT DIAGRAMS

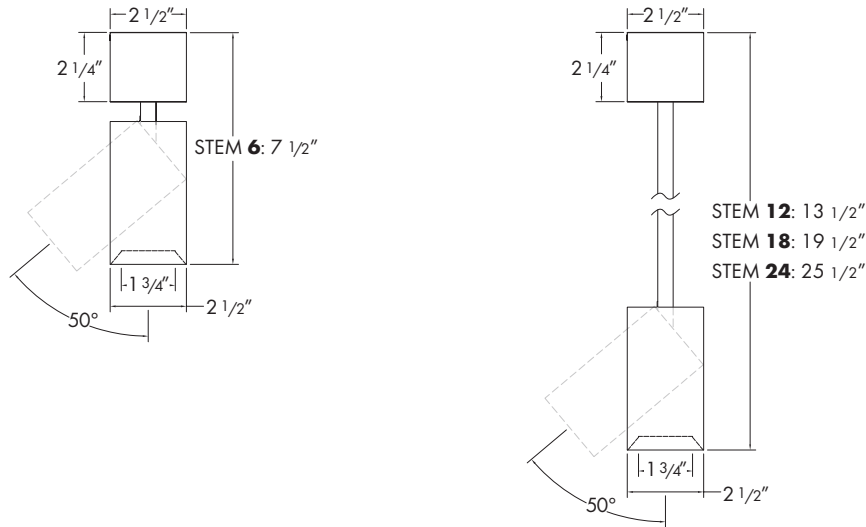


Performance shown for 3000K. Output varies by CCT.

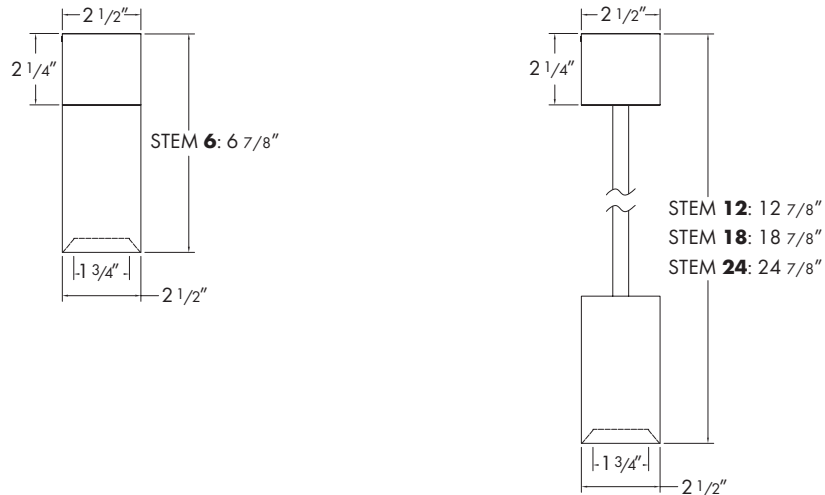
MPT3-S-SM-2SC - CEILING MOUNTED - POSITION 1 - STEM OPTIONS: 6, 12, 18, and 24



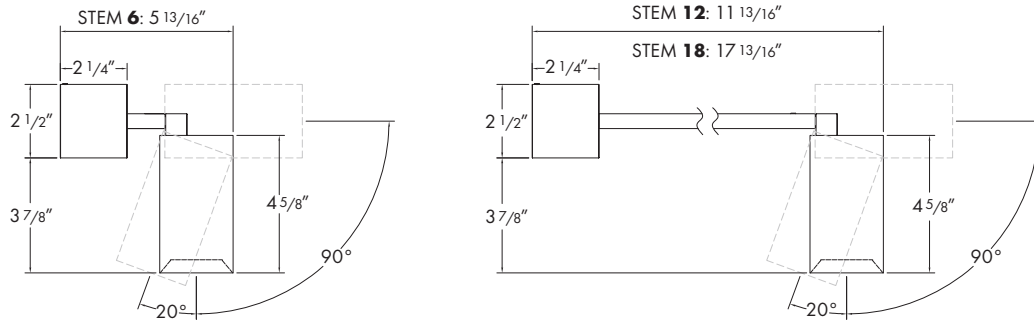
MPT3-S-SM-2SC - CEILING MOUNTED - POSITION 2 - STEM OPTIONS: 6, 12, 18, and 24



MPT3-S-SM-2SC - CEILING MOUNTED - POSITION 3 - STEM OPTIONS: 6, 12, 18, and 24



MPT3-S-SM-2SC - WALL MOUNTED - POSITION 1 - STEM OPTIONS: 6, 12, and 18



MPT3-S-SM-2SC - WALL MOUNTED - POSITION 2 - STEM OPTIONS: 6, 12, and 18

