

# MPT3-S-SM-2S-RT MONOPOINT SQUARE SURFACE MOUNT 2-1/2" CANOPY for REMOTE DRIVER

Project Name	
Date	Type
Prepared By	
Comments	
Catalog # <b>MPT3-S-SM-2S-RT-</b> - / - - / -	



**eight**  
LIGHTING

526 Portal Street  
Cotati, CA 94931  
USA  
P 707.794.0888  
www.8lighting.com

All No. 8 Lighting fixtures and components are UL Listed to both U.S. and Canadian requirements. No. 8 Lighting trims and lamp modules are protected by one or more U.S. Patents. No. 8 Lighting reserves the right to change details of design, materials, and finish.

© 2026 No. 8 Lighting  
Doc # 91213-13.3



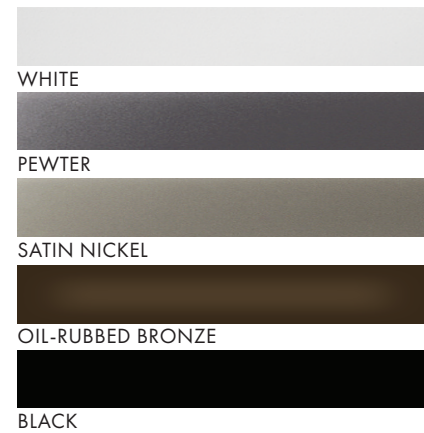
## PRODUCT FEATURES

### MPT3-S-SM-2S-RT - SURFACE MOUNT 4" CANOPY for REMOTE DRIVER



Features three field adjustable housing positions with 0-110° tilt and 360° rotation. See Pages 6-7 for additional details.

### AVAILABLE FINISHES:



## MPT3-RT SERIES SPECIFICATION SUMMARY

	Static White Standard Output			Static White High Output	Warm Dimming			Tunable White
	HI-3	HI-2	HI	HI	WD	WD-2	WD-4	TW
LED Options	1003	998	1220	1489	1024	940	1057	1087
Delivered Lumens	14.6	14.8	14.4	19.9	14.6	14.7	14.5	15.1
System Wattage	69	68	85	75	70	64	73	72
Efficacy	98	94	92	92	95	96	95	95
CRI	97	62	55	53	73	73	69	76
R9	2700K, 3000K				3000-1800K	2800-2200K	3000-2200K	4700-2200K
Optic Options	15, 25, 40	10	15, 25, 40	15, 25, 40	15, 25, 40			15T, 25, 40
Color Consistency	2-Step				3-Step			
Optical Accessories	Narrow, Medium, Wide, Extra Wide, Linear Spread, and 2400K, 2700K, 3500K Color Filters							
Adjustability	110° Tilt, 320° Rotation, Lockable							
Driver Options	REMOTE: <1% Forward/Reverse Phase (120v), 0.1/1% 0-10v (120-277v), 0.1/1% DALI (120-277v), 0.1% DMX (120-277v), 0.1% EcoSystem (120 or 277v)							
Finish Options	White, Oil-Rubbed Bronze, Pewter, Satin Nickel, Black							
Mounting Options	Ceiling/Wall Mount: 6, 12, 18, 24 Stem Options							
Junction Box	Direct to Mounting Surface (no Junction Box required)							

Static White data shown for 3000K.  
Warm Dimming data shown for 3000K and 2800K.  
Tunable White data shown for 3000K.  
See Performance Summaries for additional information.

PRODUCT SPECIFIER/PRODUCT ORDER NUMBER

**MPT3-S-SM-2S-RT**

MONOPOINT SURFACE MOUNT

STEM OPTIONS\*

FINISH

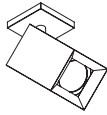
LED OPTIONS

OPTIC OPTIONS

OPTICAL ACCESSORIES (Optional)

**MPT3-S-SM-2S-RT**

SQUARE Monopoint with 2-1/2" SQUARE Surface Mount Canopy for REMOTE\* driver



\*Remote driver can be installed up to 100' from fixture depending on driver model and wire size. See Page 3 for additional details.

**6**  
(standard)

**12**

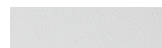
**18†**

**24\*\***

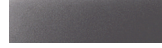
\* See pages 6-7 for additional details.

† Not available with TW LED option.

\*\* Not available with TW LED option. Not for use in wall mount applications.



**WH**  
WHITE



**PW**  
PEWTER\*



**SN**  
SATIN NICKEL\*



**OB**  
OIL-RUBBED BRONZE\*



**BK**  
BLACK

\* Specialty finish.

**HI-27**

2700K White LED

**HI**

3000K White LED

**HI-2-27\***

2700K White LED

**HI-2\***

3000K White LED

**HI-3-27†**

2700K White LED

**HI-3†**

3000K White LED

**WD†**

3000-1800K Warm Dim LED

**WD-2†**

2800-2200K Warm Dim LED

**WD-4†**

3000-2200K Warm Dim LED

**TW†**

4700-2200K Tunable White LED

\* For use with 10° optic only. Available in standard output only.

† Available in standard output only.

**10\***

10°  
Very Narrow Spot

**15†**

15°  
Narrow Spot

**15T\*\***

15°  
Narrow Spot - Tunable White

**25††**

25°  
Narrow Flood

**40††**

40°  
Flood

\* For use with HI-2 or HI-3 LED options only.

† For use with HI, HI-3, WD, WD-2, or WD-4 LED options only.

\*\* For use with TW LED option only.

†† Not for use with HI-2 LED options.

**HEX†**

Hex-Cell Louver and Deep Lens Ring

**NSP**

Narrow Softening Lens

**NFL**

Medium Softening Lens

**FL**

Wide Softening Lens

**WFL**

Extra Wide Softening Lens

**LS**

Linear Spread Softening Lens

**CF24\***

2400K Color Filtering Lens

**CF27\*\***

2700K Color Filtering Lens

**CF35\*\***

3500K Color Filtering Lens

† Requires deep lens ring (included).

\* For use with HI, HI-2 and HI-3 2700K LED options only.

\*\* For use with HI, HI-2, and HI-3 3000K LED options only.

REMOTE DRIVER OPTIONS

OUTPUT

**PR1-M-RT**

REMOTE Premium Forward or Reverse-Phase <1% Dimming

**DMX1-M-RT-1L\*\***

REMOTE DMX 0.1% Dimming

**DMX2-M-RT-1L†**

REMOTE 2-channel DMX 0.1% Dimming

**EL1-M-RT-1L**

REMOTE EldoLED 0-10V 1% Dimming

**EL1-01-M-RT-1L**

REMOTE EldoLED 0-10v 0.1% Dimming

**EL2-M-RT-1L**

REMOTE EldoLED DALI 1% Dimming

**EL2-01-M-RT-1L**

REMOTE EldoLED DALI 0.1% Dimming

**EL3-M-RT-1L†**

REMOTE EldoLED 2-channel DALI-2 0.1% Dimming

**EL5-M-RT-1L†**

REMOTE EldoLED 2-channel 0-10V 0.1%

**LU4-M-RT-1L\*\***

REMOTE Lutron Hi-Lume PEQOE 0.1%

EcoSystem Dimming

**350**

Standard output for HI-3, HI-3-27, WD, WD-2, WD-4 LED Options

**700†**

Standard output for TW LED Option

**1000**

Standard output for HI, HI-27, HI-2, or HI-2-27 LED Options

**1400\***

High output for HI or HI-27 LED Options

† For use with DMX2, EL3, or EL5 driver options only.

\* Not available w/ DMX1 or LU4 driver options.

\*\* Available in standard output only.

† Available with TW LED option and standard output only.

**MOUNTING NOTES:**

**MPT3-S-SM-2S-RT** Fixture installs directly to mounting surface and not to a junction box or mud ring. Provide suitable blocking to support the installation and allow sufficient space at behind canopy for low voltage connections. See Page 3 for additional details.



**Features**

**MPT3-S-SM-2S-RT** Fully adjustable SQUARE monopoint with 2-1/2" SQUARE surface mount canopy for REMOTE driver. Three field adjustable housing positions with 0-110° tilt and 360° rotation. Use for adjustable accent, wall wash, and general lighting applications. Minimal 1-3/4" aperture and integrated snoot with 1/2" beveled regress for glare control. Multiple stem lengths available - see Pages 6-7 for additional details.

**Installation Notes**

Ceiling or wall mountable. For low and standard output options, ambient temperatures adjacent to fixture should not exceed 40°C (104°F). For high output options, ambient temperatures adjacent to fixture should not exceed 25°C (77°F). For all output options, ambient temperatures adjacent to remote mounted drivers should not exceed 25°C (77°F). UL damp listed for covered ceiling/wall applications. Not for use in wet locations.

**Finish Notes**

White finish is field paintable. Lot variation may occur with specialty finishes. Ordering ALL fixtures at the same time is recommended to minimize finish variation.

**LED Option and Accessory Notes**

To ensure fixture to fixture color consistency, use of the same LED option with adjacent fixtures is recommended. One field interchangeable optic option included standard. Up to two additional optical accessories can be accommodated with standard lens ring. Up to three additional optical accessories can be accommodated with optional deep lens ring (included with HEX option).

**Driver and Output Option Notes**

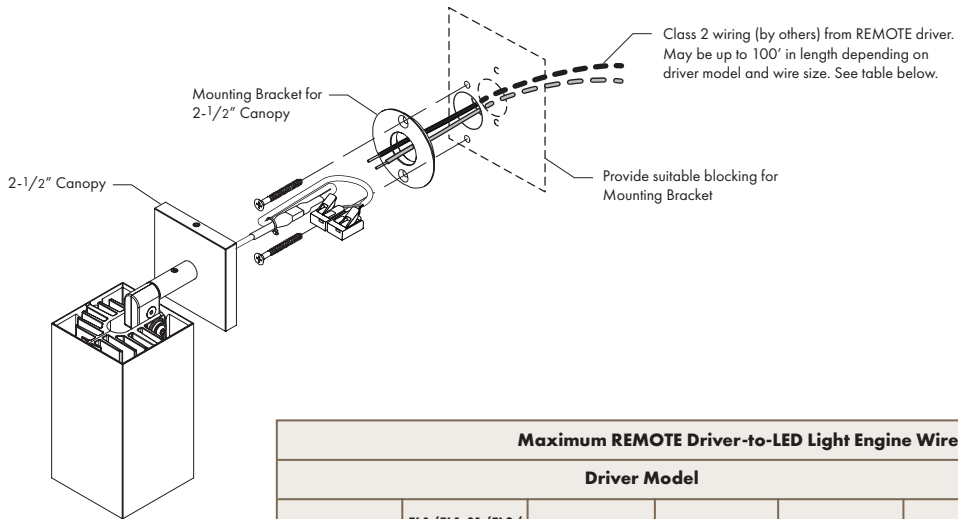
0-10v and DMX driver options are configured for linear control. DALI driver options are configured for logarithmic control. No.8 Lighting conducts extensive testing to establish compatibility with many dimmer types. For a complete list of compatible dimmers, see [8lighting.com/resources-downloads](http://8lighting.com/resources-downloads). Outputs vary depending on LED type, trim type, and optical accessories used. For photometric files in PDF and IES formats, see [8lighting.com/mpt3-series](http://8lighting.com/mpt3-series).

**Warranty**

All No. 8 Lighting products are covered by a 5 year limited warranty. For specific warranty details and limitations, see [8lighting.com/resources-downloads](http://8lighting.com/resources-downloads).

JA8-2025 CA Title 24 Compliant.

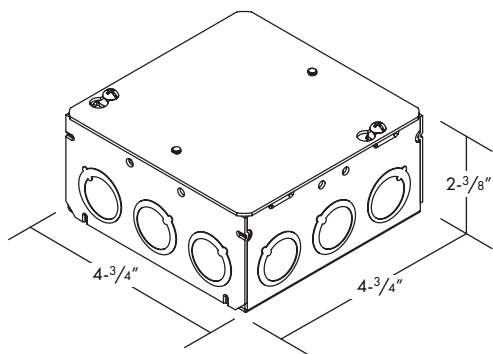
**MPT3-S-SM-2S-RT - SURFACE MOUNT 2-1/2" CANOPY - MOUNTING and REMOTE DRIVER WIRING**



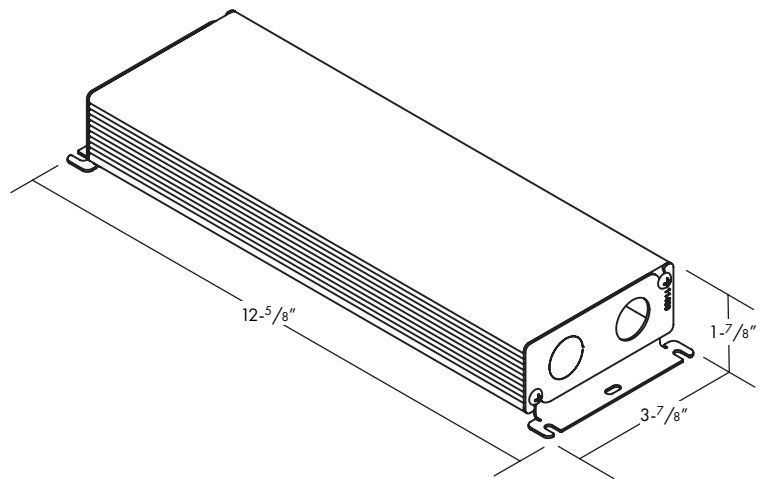
Maximum REMOTE Driver-to-LED Light Engine Wire Length						
Driver Model						Wire Gauge
PR1-M-RT-350/1000/1400	EL1/EL1-01/EL2/EL2-01-M-RT-1L-350/1000/1400	EL3/DMX2/EL5-M-RT-1L-700	DMX1-M-RT-1L-1000	LU4-M-RT-1L-350	LU4-M-RT-1L-1000	
8 ft (2.5 m)					4 ft (1.2 m)	24 AWG (0.2 mm <sup>2</sup> )
13 ft (4 m)					6 ft (1.8 m)	22 AWG (0.34 mm <sup>2</sup> )
20 ft (6 m)					10 ft (3 m)	20 AWG (0.5 mm <sup>2</sup> )
30 ft (9 m)					15 ft (4.5 m)	18 AWG (.75 mm <sup>2</sup> )
35 ft (10.5 m)					25 ft (7.5 m)	16 AWG (1.5 mm <sup>2</sup> )
50 ft (15 m)					40 ft (12 m)	14 AWG (2.5 mm <sup>2</sup> )
100 ft (30 m)					60 ft (18 m)	12 AWG (4.0 mm <sup>2</sup> )
<b>Wire Type: Stranded Class 2 wire (supplied by others)</b>						

**MPT3-RT SERIES REMOTE DRIVER ENCLOSURES**

**RT Enclosure**



**RT-1L Enclosure**



## MPT3-RT SERIES - PERFORMANCE SUMMARY

LED	OUTPUT	CCT	CRI	R9	Delivered Lumens	System Wattage	Delivered LPW
<b>HI-27</b>	1000	2700K	92	55	1038-1135	14	73-79
<b>HI</b>	1000	3000K	92	55	1116-1220	14	79-85
<b>HI-27</b>	1400	2700K	92	53	1252-1385	20	63-70
<b>HI</b>	1400	3000K	92	53	1346-1489	20	68-75
<b>HI-2-27</b>	1000	2700K	94	62	928	14.8	61
<b>HI-2</b>	1000	3000K	94	62	998	14.8	68
<b>HI-3-27</b>	350	2700K	98	92-97	848-933	14.7	58-64
<b>HI-3</b>	350	3000K	98	92-97	912-1003	14.7	62-69
<b>WD</b>	350	3000-1800K	95	73	954-1024	14.6	66-70
<b>WD-2</b>	350	2800-2200K	96	73	872-940	14.7	60-64
<b>WD-4</b>	350	3000-2200K	95	69	981-1057	14.5	68-73
<b>TW</b>	700	4700-2200K	95	76	901-1087	15	60-72

Performance summary for **HI** LED with 15°, 25°, and 40° optic options, **HI-2** LED with 10° optic option, and **HI-3** with 10°, 15°, 25°, and 40° optic options.

Performance summary for **WD** and **WD-4** LED at 3000K and **WD-2** LED at 2800K with 15°, 25°, and 40° optic options.

Performance summary for **TW** LED at 3000K with 15°, 25°, and 40° optic options.

## MPT3-RT SERIES - OPTICAL OPTIONS AND ACCESSORY PERFORMANCE SUMMARY

OPTIC OPTIONS	LED OPTION	BEAM ENHANCING LENS (OPTIONAL)*				
		+ NSP	+ NFL	+ FL	+ WFL	+ LS
10° Very Narrow Spot	<b>HI-2</b>	14°	26°	47°	51°	13° x 37°
10° Very Narrow Spot	<b>HI-3</b>	14°	27°	48°	54°	13° x 47°
15° Narrow Spot	<b>HI</b>	20°	31°	54°	61°	21° x 46°
15° Narrow Spot	<b>HI-3</b>	17°	29°	52°	59°	17° x 45°
15° Narrow Spot	<b>WD/WD-2/WD-4</b>	24°	33°	52°	64°	23° x 49°
15° Narrow Spot	<b>TW</b>	23°	30°	44°	50°	21° x 40°
25° Narrow Flood	<b>HI</b>	29°	36°	55°	64°	29° x 51°
25° Narrow Flood	<b>HI-3</b>	24°	33°	55°	64°	24° x 49°
25° Narrow Flood	<b>WD/WD-2/WD-4</b>	29°	37°	56°	68°	28° x 53°
25° Narrow Flood	<b>TW</b>	29°	36°	57°	64°	29° x 51°
40° Flood	<b>HI</b>	40°	44°	63°	75°	38° x 60°
40° Flood	<b>HI-3</b>	34°	40°	62°	72°	33° x 56°
40° Flood	<b>WD/WD-2/WD-4</b>	37°	42°	62°	74°	36° x 59°
40° Flood	<b>TW</b>	37°	42°	62°	72°	36° x 58°

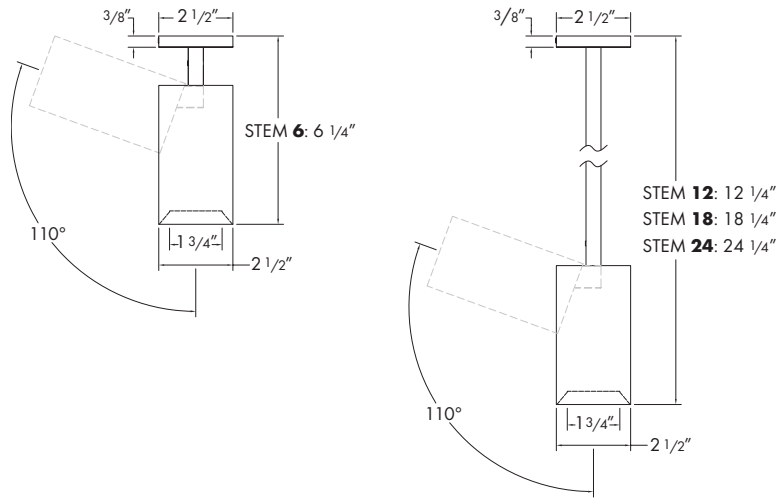
\*Beam enhancing lens used in combination with 10°, 15°, 25°, or 40° optic to achieve desired beam spread.

# MPT3-RT SERIES - CONE OF LIGHT DIAGRAMS

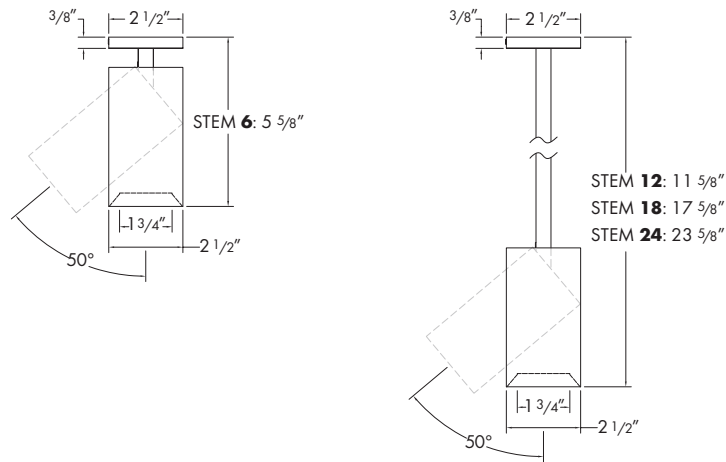
STANDARD OUTPUT - HI-2/ HI LED	<p><b>10° - Very Narrow Spot</b></p> <p><b>MPT3-(R/S)-RT/HI-2-10/1000</b></p> <table border="1"> <tr><td>2ft - 3,829 fc</td><td>Ø0.4 ft</td></tr> <tr><td>4ft - 957 fc</td><td>Ø0.7 ft</td></tr> <tr><td>6ft - 425 fc</td><td>Ø1.1 ft</td></tr> <tr><td>8ft - 239 fc</td><td>Ø1.5 ft</td></tr> <tr><td>10ft - 153 fc</td><td>Ø1.9 ft</td></tr> </table> <p>CBCP: 15,496 cd</p>	2ft - 3,829 fc	Ø0.4 ft	4ft - 957 fc	Ø0.7 ft	6ft - 425 fc	Ø1.1 ft	8ft - 239 fc	Ø1.5 ft	10ft - 153 fc	Ø1.9 ft	<p><b>15° - Narrow Spot</b></p> <p><b>MPT3-(R/S)-RT/HI-15/1000</b></p> <table border="1"> <tr><td>2ft - 1,703 fc</td><td>Ø0.6 ft</td></tr> <tr><td>4ft - 426 fc</td><td>Ø1.3 ft</td></tr> <tr><td>6ft - 189 fc</td><td>Ø1.9 ft</td></tr> <tr><td>8ft - 106 fc</td><td>Ø2.6 ft</td></tr> <tr><td>10ft - 68 fc</td><td>Ø3.2 ft</td></tr> </table> <p>CBCP: 6,842 cd</p>	2ft - 1,703 fc	Ø0.6 ft	4ft - 426 fc	Ø1.3 ft	6ft - 189 fc	Ø1.9 ft	8ft - 106 fc	Ø2.6 ft	10ft - 68 fc	Ø3.2 ft	<p><b>25° - Narrow Flood</b></p> <p><b>MPT3-(R/S)-RT/HI-25/1000</b></p> <table border="1"> <tr><td>2ft - 865 fc</td><td>Ø1.0 ft</td></tr> <tr><td>4ft - 216 fc</td><td>Ø2.0 ft</td></tr> <tr><td>6ft - 96 fc</td><td>Ø3.0 ft</td></tr> <tr><td>8ft - 54 fc</td><td>Ø4.0 ft</td></tr> <tr><td>10ft - 35 fc</td><td>Ø4.9 ft</td></tr> </table> <p>CBCP: 3,470 cd</p>	2ft - 865 fc	Ø1.0 ft	4ft - 216 fc	Ø2.0 ft	6ft - 96 fc	Ø3.0 ft	8ft - 54 fc	Ø4.0 ft	10ft - 35 fc	Ø4.9 ft	<p><b>40° - Flood</b></p> <p><b>MPT3-(R/S)-RT/HI-40/1000</b></p> <table border="1"> <tr><td>2ft - 538 fc</td><td>Ø1.4 ft</td></tr> <tr><td>4ft - 135 fc</td><td>Ø2.9 ft</td></tr> <tr><td>6ft - 60 fc</td><td>Ø4.3 ft</td></tr> <tr><td>8ft - 34 fc</td><td>Ø5.7 ft</td></tr> <tr><td>10ft - 22 fc</td><td>Ø7.2 ft</td></tr> </table> <p>CBCP: 2,158 cd</p>	2ft - 538 fc	Ø1.4 ft	4ft - 135 fc	Ø2.9 ft	6ft - 60 fc	Ø4.3 ft	8ft - 34 fc	Ø5.7 ft	10ft - 22 fc	Ø7.2 ft
	2ft - 3,829 fc	Ø0.4 ft																																										
	4ft - 957 fc	Ø0.7 ft																																										
	6ft - 425 fc	Ø1.1 ft																																										
	8ft - 239 fc	Ø1.5 ft																																										
10ft - 153 fc	Ø1.9 ft																																											
2ft - 1,703 fc	Ø0.6 ft																																											
4ft - 426 fc	Ø1.3 ft																																											
6ft - 189 fc	Ø1.9 ft																																											
8ft - 106 fc	Ø2.6 ft																																											
10ft - 68 fc	Ø3.2 ft																																											
2ft - 865 fc	Ø1.0 ft																																											
4ft - 216 fc	Ø2.0 ft																																											
6ft - 96 fc	Ø3.0 ft																																											
8ft - 54 fc	Ø4.0 ft																																											
10ft - 35 fc	Ø4.9 ft																																											
2ft - 538 fc	Ø1.4 ft																																											
4ft - 135 fc	Ø2.9 ft																																											
6ft - 60 fc	Ø4.3 ft																																											
8ft - 34 fc	Ø5.7 ft																																											
10ft - 22 fc	Ø7.2 ft																																											
HIGH OUTPUT - HI LED		<p><b>15° - Narrow Spot</b></p> <p><b>MPT3-R/S-RT/HI-15/1400</b></p> <table border="1"> <tr><td>2ft - 2,206 fc</td><td>Ø0.6 ft</td></tr> <tr><td>4ft - 552 fc</td><td>Ø1.3 ft</td></tr> <tr><td>6ft - 245 fc</td><td>Ø1.9 ft</td></tr> <tr><td>8ft - 138 fc</td><td>Ø2.6 ft</td></tr> <tr><td>10ft - 88 fc</td><td>Ø3.2 ft</td></tr> </table> <p>CBCP: 8,881 cd</p>	2ft - 2,206 fc	Ø0.6 ft	4ft - 552 fc	Ø1.3 ft	6ft - 245 fc	Ø1.9 ft	8ft - 138 fc	Ø2.6 ft	10ft - 88 fc	Ø3.2 ft	<p><b>25° - Narrow Flood</b></p> <p><b>MPT3-R/S-RT/HI-25/1400</b></p> <table border="1"> <tr><td>2ft - 1,139 fc</td><td>Ø1.0 ft</td></tr> <tr><td>4ft - 285 fc</td><td>Ø2.0 ft</td></tr> <tr><td>6ft - 127 fc</td><td>Ø2.9 ft</td></tr> <tr><td>8ft - 71 fc</td><td>Ø3.9 ft</td></tr> <tr><td>10ft - 46 fc</td><td>Ø4.9 ft</td></tr> </table> <p>CBCP: 4,579 cd</p>	2ft - 1,139 fc	Ø1.0 ft	4ft - 285 fc	Ø2.0 ft	6ft - 127 fc	Ø2.9 ft	8ft - 71 fc	Ø3.9 ft	10ft - 46 fc	Ø4.9 ft	<p><b>40° - Flood</b></p> <p><b>MPT3-R/S-RT/HI-40/1400</b></p> <table border="1"> <tr><td>2ft - 700 fc</td><td>Ø1.4 ft</td></tr> <tr><td>4ft - 175 fc</td><td>Ø2.9 ft</td></tr> <tr><td>6ft - 78 fc</td><td>Ø4.3 ft</td></tr> <tr><td>8ft - 44 fc</td><td>Ø5.7 ft</td></tr> <tr><td>10ft - 28 fc</td><td>Ø7.2 ft</td></tr> </table> <p>CBCP: 2,809 cd</p>	2ft - 700 fc	Ø1.4 ft	4ft - 175 fc	Ø2.9 ft	6ft - 78 fc	Ø4.3 ft	8ft - 44 fc	Ø5.7 ft	10ft - 28 fc	Ø7.2 ft										
	2ft - 2,206 fc	Ø0.6 ft																																										
	4ft - 552 fc	Ø1.3 ft																																										
6ft - 245 fc	Ø1.9 ft																																											
8ft - 138 fc	Ø2.6 ft																																											
10ft - 88 fc	Ø3.2 ft																																											
2ft - 1,139 fc	Ø1.0 ft																																											
4ft - 285 fc	Ø2.0 ft																																											
6ft - 127 fc	Ø2.9 ft																																											
8ft - 71 fc	Ø3.9 ft																																											
10ft - 46 fc	Ø4.9 ft																																											
2ft - 700 fc	Ø1.4 ft																																											
4ft - 175 fc	Ø2.9 ft																																											
6ft - 78 fc	Ø4.3 ft																																											
8ft - 44 fc	Ø5.7 ft																																											
10ft - 28 fc	Ø7.2 ft																																											
STANDARD OUTPUT - HI-3 LED	<p><b>10° - Very Narrow Spot</b></p> <p><b>MPT3-(R/S)-RT/HI-3-10/350</b></p> <table border="1"> <tr><td>2ft - 2,831 fc</td><td>Ø0.4 ft</td></tr> <tr><td>4ft - 708 fc</td><td>Ø0.7 ft</td></tr> <tr><td>6ft - 315 fc</td><td>Ø1.1 ft</td></tr> <tr><td>8ft - 177 fc</td><td>Ø1.4 ft</td></tr> <tr><td>10ft - 113 fc</td><td>Ø1.8 ft</td></tr> </table> <p>CBCP: 11,580 cd</p>	2ft - 2,831 fc	Ø0.4 ft	4ft - 708 fc	Ø0.7 ft	6ft - 315 fc	Ø1.1 ft	8ft - 177 fc	Ø1.4 ft	10ft - 113 fc	Ø1.8 ft	<p><b>15° - Narrow Spot</b></p> <p><b>MPT3-(R/S)-RT/HI-3-15/350</b></p> <table border="1"> <tr><td>2ft - 1,965 fc</td><td>Ø0.5 ft</td></tr> <tr><td>4ft - 491 fc</td><td>Ø1.1 ft</td></tr> <tr><td>6ft - 218 fc</td><td>Ø1.6 ft</td></tr> <tr><td>8ft - 123 fc</td><td>Ø2.2 ft</td></tr> <tr><td>10ft - 79 fc</td><td>Ø2.7 ft</td></tr> </table> <p>CBCP: 7,957 cd</p>	2ft - 1,965 fc	Ø0.5 ft	4ft - 491 fc	Ø1.1 ft	6ft - 218 fc	Ø1.6 ft	8ft - 123 fc	Ø2.2 ft	10ft - 79 fc	Ø2.7 ft	<p><b>25° - Narrow Flood</b></p> <p><b>MPT3-(R/S)-RT/HI-3-25/350</b></p> <table border="1"> <tr><td>2ft - 991 fc</td><td>Ø0.8 ft</td></tr> <tr><td>4ft - 248 fc</td><td>Ø1.6 ft</td></tr> <tr><td>6ft - 110 fc</td><td>Ø2.4 ft</td></tr> <tr><td>8ft - 62 fc</td><td>Ø3.2 ft</td></tr> <tr><td>10ft - 40 fc</td><td>Ø4.0 ft</td></tr> </table> <p>CBCP: 3,978 cd</p>	2ft - 991 fc	Ø0.8 ft	4ft - 248 fc	Ø1.6 ft	6ft - 110 fc	Ø2.4 ft	8ft - 62 fc	Ø3.2 ft	10ft - 40 fc	Ø4.0 ft	<p><b>40° - Flood</b></p> <p><b>MPT3-(R/S)-RT/HI-3-40/350</b></p> <table border="1"> <tr><td>2ft - 609 fc</td><td>Ø1.2 ft</td></tr> <tr><td>4ft - 152 fc</td><td>Ø2.4 ft</td></tr> <tr><td>6ft - 68 fc</td><td>Ø3.6 ft</td></tr> <tr><td>8ft - 38 fc</td><td>Ø4.8 ft</td></tr> <tr><td>10ft - 24 fc</td><td>Ø6.0 ft</td></tr> </table> <p>CBCP: 2,438 cd</p>	2ft - 609 fc	Ø1.2 ft	4ft - 152 fc	Ø2.4 ft	6ft - 68 fc	Ø3.6 ft	8ft - 38 fc	Ø4.8 ft	10ft - 24 fc	Ø6.0 ft
	2ft - 2,831 fc	Ø0.4 ft																																										
	4ft - 708 fc	Ø0.7 ft																																										
	6ft - 315 fc	Ø1.1 ft																																										
	8ft - 177 fc	Ø1.4 ft																																										
10ft - 113 fc	Ø1.8 ft																																											
2ft - 1,965 fc	Ø0.5 ft																																											
4ft - 491 fc	Ø1.1 ft																																											
6ft - 218 fc	Ø1.6 ft																																											
8ft - 123 fc	Ø2.2 ft																																											
10ft - 79 fc	Ø2.7 ft																																											
2ft - 991 fc	Ø0.8 ft																																											
4ft - 248 fc	Ø1.6 ft																																											
6ft - 110 fc	Ø2.4 ft																																											
8ft - 62 fc	Ø3.2 ft																																											
10ft - 40 fc	Ø4.0 ft																																											
2ft - 609 fc	Ø1.2 ft																																											
4ft - 152 fc	Ø2.4 ft																																											
6ft - 68 fc	Ø3.6 ft																																											
8ft - 38 fc	Ø4.8 ft																																											
10ft - 24 fc	Ø6.0 ft																																											
STANDARD OUTPUT - WD LED		<p><b>15° - Narrow Spot</b></p> <p><b>MPT3-(R/S)-RT/WD-15/350</b></p> <table border="1"> <tr><td>2ft - 1,059 fc</td><td>Ø0.8 ft</td></tr> <tr><td>4ft - 265 fc</td><td>Ø1.6 ft</td></tr> <tr><td>6ft - 118 fc</td><td>Ø2.4 ft</td></tr> <tr><td>8ft - 66 fc</td><td>Ø3.3 ft</td></tr> <tr><td>10ft - 42 fc</td><td>Ø4.1 ft</td></tr> </table> <p>CBCP: 4,255 cd</p>	2ft - 1,059 fc	Ø0.8 ft	4ft - 265 fc	Ø1.6 ft	6ft - 118 fc	Ø2.4 ft	8ft - 66 fc	Ø3.3 ft	10ft - 42 fc	Ø4.1 ft	<p><b>25° - Narrow Flood</b></p> <p><b>MPT3-(R/S)-RT/WD-25/350</b></p> <table border="1"> <tr><td>2ft - 691 fc</td><td>Ø1.0 ft</td></tr> <tr><td>4ft - 173 fc</td><td>Ø2.0 ft</td></tr> <tr><td>6ft - 77 fc</td><td>Ø3.0 ft</td></tr> <tr><td>8ft - 43 fc</td><td>Ø4.0 ft</td></tr> <tr><td>10ft - 28 fc</td><td>Ø5.0 ft</td></tr> </table> <p>CBCP: 2,770 cd</p>	2ft - 691 fc	Ø1.0 ft	4ft - 173 fc	Ø2.0 ft	6ft - 77 fc	Ø3.0 ft	8ft - 43 fc	Ø4.0 ft	10ft - 28 fc	Ø5.0 ft	<p><b>40° - Flood</b></p> <p><b>MPT3-(R/S)-RT/WD-40/350</b></p> <table border="1"> <tr><td>2ft - 528 fc</td><td>Ø1.3 ft</td></tr> <tr><td>4ft - 132 fc</td><td>Ø2.6 ft</td></tr> <tr><td>6ft - 59 fc</td><td>Ø3.9 ft</td></tr> <tr><td>8ft - 33 fc</td><td>Ø5.2 ft</td></tr> <tr><td>10ft - 21 fc</td><td>Ø6.5 ft</td></tr> </table> <p>CBCP: 21,820 cd</p>	2ft - 528 fc	Ø1.3 ft	4ft - 132 fc	Ø2.6 ft	6ft - 59 fc	Ø3.9 ft	8ft - 33 fc	Ø5.2 ft	10ft - 21 fc	Ø6.5 ft										
	2ft - 1,059 fc	Ø0.8 ft																																										
	4ft - 265 fc	Ø1.6 ft																																										
6ft - 118 fc	Ø2.4 ft																																											
8ft - 66 fc	Ø3.3 ft																																											
10ft - 42 fc	Ø4.1 ft																																											
2ft - 691 fc	Ø1.0 ft																																											
4ft - 173 fc	Ø2.0 ft																																											
6ft - 77 fc	Ø3.0 ft																																											
8ft - 43 fc	Ø4.0 ft																																											
10ft - 28 fc	Ø5.0 ft																																											
2ft - 528 fc	Ø1.3 ft																																											
4ft - 132 fc	Ø2.6 ft																																											
6ft - 59 fc	Ø3.9 ft																																											
8ft - 33 fc	Ø5.2 ft																																											
10ft - 21 fc	Ø6.5 ft																																											
STANDARD OUTPUT - TW LED		<p><b>15° - Narrow Spot</b></p> <p><b>MPT3-(R/S)-RT/TW-15T/700</b></p> <table border="1"> <tr><td>2ft - 1,758 fc</td><td>Ø0.8 ft</td></tr> <tr><td>4ft - 440 fc</td><td>Ø1.5 ft</td></tr> <tr><td>6ft - 195 fc</td><td>Ø2.3 ft</td></tr> <tr><td>8ft - 110 fc</td><td>Ø3.1 ft</td></tr> <tr><td>10ft - 70 fc</td><td>Ø3.8 ft</td></tr> </table> <p>CBCP: 7,088 cd</p>	2ft - 1,758 fc	Ø0.8 ft	4ft - 440 fc	Ø1.5 ft	6ft - 195 fc	Ø2.3 ft	8ft - 110 fc	Ø3.1 ft	10ft - 70 fc	Ø3.8 ft	<p><b>25° - Narrow Flood</b></p> <p><b>MPT3-(R/S)-RT/TW-25/700</b></p> <table border="1"> <tr><td>2ft - 739 fc</td><td>Ø1.0 ft</td></tr> <tr><td>4ft - 185 fc</td><td>Ø2.0 ft</td></tr> <tr><td>6ft - 82 fc</td><td>Ø3.0 ft</td></tr> <tr><td>8ft - 46 fc</td><td>Ø4.0 ft</td></tr> <tr><td>10ft - 30 fc</td><td>Ø5.0 ft</td></tr> </table> <p>CBCP: 2,959 cd</p>	2ft - 739 fc	Ø1.0 ft	4ft - 185 fc	Ø2.0 ft	6ft - 82 fc	Ø3.0 ft	8ft - 46 fc	Ø4.0 ft	10ft - 30 fc	Ø5.0 ft	<p><b>40° - Flood</b></p> <p><b>MPT3-(R/S)-RT/TW-40/700</b></p> <table border="1"> <tr><td>2ft - 550 fc</td><td>Ø1.3 ft</td></tr> <tr><td>4ft - 137 fc</td><td>Ø2.6 ft</td></tr> <tr><td>6ft - 61 fc</td><td>Ø3.9 ft</td></tr> <tr><td>8ft - 34 fc</td><td>Ø5.2 ft</td></tr> <tr><td>10ft - 22 fc</td><td>Ø6.5 ft</td></tr> </table> <p>CBCP: 2,204 cd</p>	2ft - 550 fc	Ø1.3 ft	4ft - 137 fc	Ø2.6 ft	6ft - 61 fc	Ø3.9 ft	8ft - 34 fc	Ø5.2 ft	10ft - 22 fc	Ø6.5 ft										
	2ft - 1,758 fc	Ø0.8 ft																																										
	4ft - 440 fc	Ø1.5 ft																																										
	6ft - 195 fc	Ø2.3 ft																																										
	8ft - 110 fc	Ø3.1 ft																																										
10ft - 70 fc	Ø3.8 ft																																											
2ft - 739 fc	Ø1.0 ft																																											
4ft - 185 fc	Ø2.0 ft																																											
6ft - 82 fc	Ø3.0 ft																																											
8ft - 46 fc	Ø4.0 ft																																											
10ft - 30 fc	Ø5.0 ft																																											
2ft - 550 fc	Ø1.3 ft																																											
4ft - 137 fc	Ø2.6 ft																																											
6ft - 61 fc	Ø3.9 ft																																											
8ft - 34 fc	Ø5.2 ft																																											
10ft - 22 fc	Ø6.5 ft																																											

Performance shown for 3000K. Output varies by CCT.

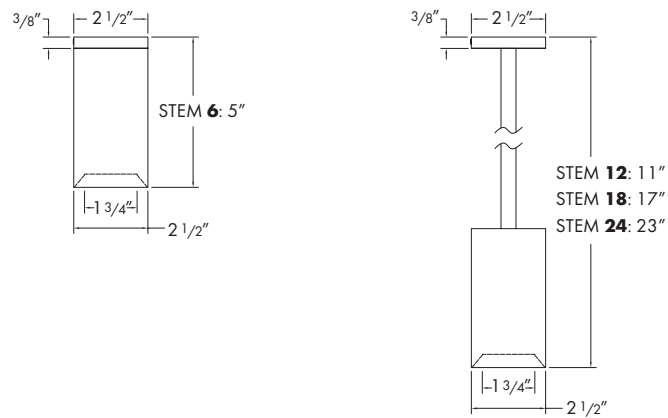
**MPT3-S-SM-2S-RT - CEILING MOUNTED - POSITION 1 - STEM OPTIONS: 6, 12, 18, and 24**



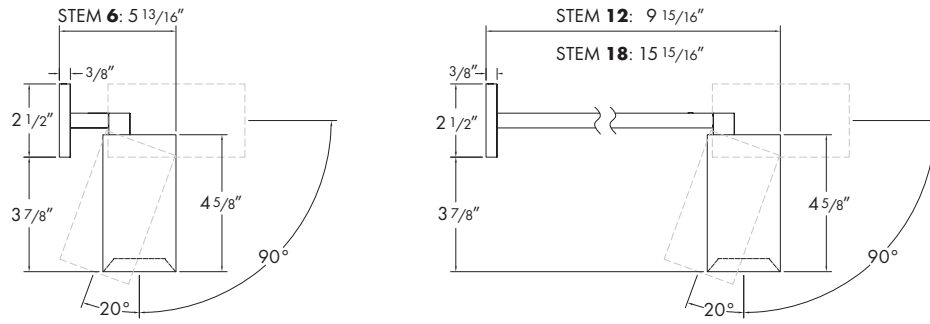
**MPT3-S-SM-2S-RT - CEILING MOUNTED - POSITION 2 - STEM OPTIONS: 6, 12, 18, and 24**



**MPT3-S-SM-2S-RT - CEILING MOUNTED - POSITION 3 - STEM OPTIONS: 6, 12, 18, and 24**



**MPT3-S-SM-2S-RT - WALL MOUNTED - POSITION 1 - STEM OPTIONS: 6, 12, and 18**



**MPT3-S-SM-2S-RT - WALL MOUNTED - POSITION 2 - STEM OPTIONS: 6, 12, and 18**

