

MPT3-R-SM-4R MONOPOINT ROUND SURFACE MOUNT 4" CANOPY for INTEGRAL DRIVER

Project Name	
Date	Type
Prepared By	
Comments	
Catalog # MPT3-R-SM-4R- - / - - / PR1- - /	



No. 8
eight
LIGHTING

526 Portal Street
Cotati, CA 94931
USA
P 707.794.0888
www.8lighting.com

All No. 8 Lighting fixtures and components are UL Listed to both U.S. and Canadian requirements. No. 8 Lighting trims and lamp modules are protected by one or more U.S. Patents. No. 8 Lighting reserves the right to change details of design, materials, and finish.

© 2026 No. 8 Lighting
Doc # 91212-13.2



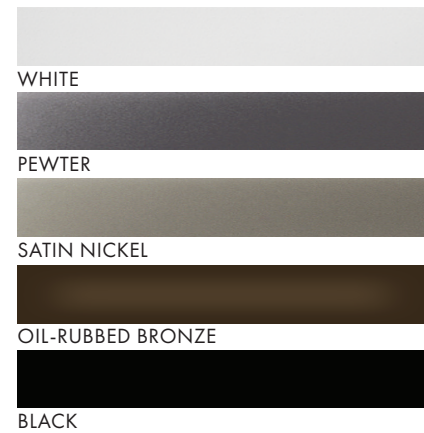
PRODUCT FEATURES

MPT3-R-SM-4R - SURFACE MOUNT 4" CANOPY for INTEGRAL DRIVER



Features three field adjustable housing positions with 0-110° tilt and 360° rotation. See Pages 5-6 for additional details.

AVAILABLE FINISHES:



MPT3 SERIES SPECIFICATION SUMMARY

	Static White Standard Output			Static White High Output	Warm Dimming		
	HI-3	HI-2	HI	HI	WD	WD-2	WD-4
LED Options							
Delivered Lumens	1003	998	1220	1489	1024	940	1057
System Wattage	14.6	14.8	14.4	19.9	14.6	14.7	14.5
Efficacy	69	68	85	75	70	64	73
CRI	98	94	92	92	95	96	95
R9	97	62	55	53	73	73	69
CCT Options	2700K, 3000K				3000-1800K	2800-2200K	3000-2200K
Optic Options	15, 25, 40	10	15, 25, 40	15, 25, 40	15, 25, 40		
Color Consistency	2-Step				3-Step		
Optical Accessories	Narrow, Medium, Wide, Extra Wide, Linear Spread, and 2400K, 2700K, 3500K Color Filters						
Adjustability	110° Tilt, 320° Rotation, Lockable						
Driver Options	INTEGRAL: <1% Forward/Reverse Phase (120v)						
Finish Options	White, Oil-Rubbed Bronze, Pewter, Satin Nickel, Black						
Mounting Options	Ceiling/Wall Mount: 6, 12, 18, 24 Stem Options						
Junction Box	4" x 1-1/2" Deep (min.), 4" x 3-1/2" Deep (min.)						

Static White data shown for 3000K.
Warm Dimming data shown for 3000K and 2800K.
See Performance Summaries for additional information.

PRODUCT SPECIFIER/PRODUCT ORDER NUMBER

MPT3-R-SM-4R

MONOPOINT
SURFACE MOUNT

STEM
OPTIONS*

FINISH

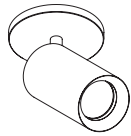
LED OPTIONS

OPTIC OPTIONS

OPTICAL ACCESSORIES
(Optional)

MPT3-R-SM-4R

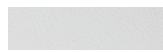
ROUND Monopoint with 4" ROUND Surface Mount Canopy for INTEGRAL driver



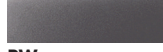
- 6 (standard)
- 12
- 18
- 24†

* See pages 5-6 for additional details.

† Not for use in wall mount applications.



WH
WHITE



PW
PEWTER*



SN
SATIN NICKEL*



OB
OIL-RUBBED BRONZE*



BK
BLACK

* Specialty finish.

HI-27

2700K White LED

HI

3000K White LED

HI-2-27*

2700K White LED

HI-2*

3000K White LED

HI-3-27†

2700K White LED

HI-3†

3000K White LED

WD†

3000-1800K Warm Dim LED

WD-2†

2800-2200K Warm Dim LED

WD-4†

3000-2200K Warm Dim LED

* For use with 10° optic only. Available in standard output only.

† Available in standard output only.

10*

10°
Very Narrow Spot

15†

15°
Narrow Spot

25†

25°
Narrow Flood

40†

40°
Flood

* For use with HI-2 or HI-3 LED options only.

† For use with HI, HI-3, WD, WD-2, or WD-4 LED options only.

HEX†

Hex-Cell Louver and Deep Lens Ring

NSP

Narrow Softening Lens

NFL

Medium Softening Lens

FL

Wide Softening Lens

WFL

Extra Wide Softening Lens

LS

Linear Spread Softening Lens

CF24*

2400K Color Filtering Lens

CF27**

2700K Color Filtering Lens

CF35**

3500K Color Filtering Lens

† Requires deep lens ring (included).

* For use with HI, HI-2 and HI-3 2700K LED options only.

** For use with HI, HI-2, and HI-3 3000K LED options only.

PR1-

DRIVER OPTION

OUTPUT

MOUNTING ACCESSORIES
(Optional)

PR1-M*

INTEGRAL Forward or Reverse-Phase <1% Dimming

PR1-M4**

INTEGRAL Forward or Reverse-Phase <1% Dimming for Standard Depth Junction Box

* Requires 4" octagonal x 3-1/2" deep (min) junction box with 3" round x 1/2" deep (min) mud ring.

** Requires 4" octagonal x 1-1/2" deep (min) junction box with 3" round x 1/2" deep (min) mud ring.

350

Standard output for HI-3, HI-3-27, WD, WD-2, WD-4 LED Options

1000

Standard output for HI, HI-27, HI-2, or HI-2-27 LED Options

1400*

High output for HI or HI-27 LED Options

* Not available with PR1-M4 driver options.

JB-5/8*

3-1/2" deep junction box with 5/8" deep mud ring

JB-3/4*

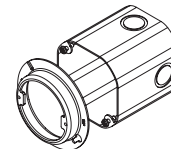
3-1/2" deep junction box with 3/4" deep mud ring

JB-1*

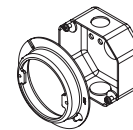
3-1/2" deep junction box with 1" deep mud ring

* For use with PR1-M driver options.

MOUNTING NOTES:



MPT3-R-SM-4R Fixture with **PR1-M** INTEGRAL driver requires a 4" octagonal x 3-1/2" deep (min) junction box with 3" round x 1/2" deep (min) mud ring. Junction box and mud ring can be ordered with fixture (see Mounting Accessories) or supplied by others.



MPT3-R-SM-4R Fixture with **PR1-M4** INTEGRAL driver requires a 4" octagonal x 1-1/2" deep (min) junction box with 3" round x 1/2" deep (min) mud ring. Junction box and mud ring supplied by others.

Features

MPT3-R-SM-4R Fully adjustable ROUND monopoint with 4" ROUND surface mount canopy for INTEGRAL driver. Three field adjustable housing positions with 0-110° tilt and 360° rotation. Use for adjustable accent, wall wash, and general lighting applications. Minimal 1-3/4" aperture and integrated snoot with 1/2" beveled regress for glare control. Multiple stem lengths available - see Pages 5-6 for additional details.

Installation Notes

Ceiling or wall mountable. For low and standard output options, junction box may be installed in direct contact with standard or spray-foam thermal insulation with a max combined R-Value of R42. For high output options, junction box may be installed in direct contact with standard or spray-foam thermal insulation with a max combined R-Value of R30. For standard output options, ambient temperatures adjacent to fixture should not exceed 40°C (104°F). For high output options, ambient temperatures adjacent to fixture should not exceed 25°C (77°F). UL damp listed for covered ceiling/wall applications. Not for use in wet locations.

Finish Notes

White finish is field paintable. Lot variation may occur with specialty finishes. Ordering ALL fixtures at the same time is recommended to minimize finish variation.

LED Option and Accessory Notes

To ensure fixture to fixture color consistency, use of the same LED option with adjacent fixtures is recommended. One field interchangeable optic option included standard. Up to two additional optical accessories can be accommodated with standard lens ring. Up to three additional optical accessories can be accommodated with optional deep lens ring (included with HEX option).

Driver and Output Option Notes

0-10v and DMX driver options are configured for linear control. DALI driver options are configured for logarithmic control. No.8 Lighting conducts extensive testing to establish compatibility with many dimmer types. For a complete list of compatible dimmers, see 8lighting.com/resources-downloads. Outputs vary depending on LED type, trim type, and optical accessories used. For photometric files in PDF and IES formats, see 8lighting.com/mpt3-series.

Warranty

All No. 8 Lighting products are covered by a 5 year limited warranty. For specific warranty details and limitations, see 8lighting.com/resources-downloads.

JA8-2025 CA Title 24 Compliant.

MPT3 SERIES - PERFORMANCE SUMMARY

LED	OUTPUT	CCT	CRI	R9	Delivered Lumens	System Wattage	Delivered LPW
HI-27	1000	2700K	92	55	1038-1135	14	73-79
HI	1000	3000K	92	55	1116-1220	14	79-85
HI-27	1400	2700K	92	53	1252-1385	20	63-70
HI	1400	3000K	92	53	1346-1489	20	68-75
HI-2-27	1000	2700K	94	62	928	14.8	61
HI-2	1000	3000K	94	62	998	14.8	68
HI-3-27	350	2700K	98	92-97	848-933	14.7	58-64
HI-3	350	3000K	98	92-97	912-1003	14.7	62-69
WD	350	3000-1800K	95	73	954-1024	14.6	66-70
WD-2	350	2800-2200K	96	73	872-940	14.7	60-64
WD-4	350	3000-2200K	95	69	981-1057	14.5	68-73

Performance summary for **HI** LED with 15°, 25°, and 40° optic options, **HI-2** LED with 10° optic option, and **HI-3** with 10°, 15°, 25°, and 40° optic options. Performance summary for **WD** and **WD-4** LED at 3000K and **WD-2** LED at 2800K with 15°, 25°, and 40° optic options.

MPT3 SERIES - OPTICAL OPTIONS AND ACCESSORY PERFORMANCE SUMMARY

OPTIC OPTIONS	LED OPTION	BEAM ENHANCING LENS (OPTIONAL)*				
		+ NSP	+ NFL	+ FL	+ WFL	+ LS
10° Very Narrow Spot	HI-2	14°	26°	47°	51°	13° x 37°
10° Very Narrow Spot	HI-3	14°	27°	48°	54°	13° x 47°
15° Narrow Spot	HI	20°	31°	54°	61°	21° x 46°
15° Narrow Spot	HI-3	17°	29°	52°	59°	17° x 45°
15° Narrow Spot	WD/WD-2/WD-4	24°	33°	52°	64°	23° x 49°
25° Narrow Flood	HI	29°	36°	55°	64°	29° x 51°
25° Narrow Flood	HI-3	24°	33°	55°	64°	24° x 49°
25° Narrow Flood	WD/WD-2/WD-4	29°	37°	56°	68°	28° x 53°
40° Flood	HI	40°	44°	63°	75°	38° x 60°
40° Flood	HI-3	34°	40°	62°	72°	33° x 56°
40° Flood	WD/WD-2/WD-4	37°	42°	62°	74°	36° x 59°

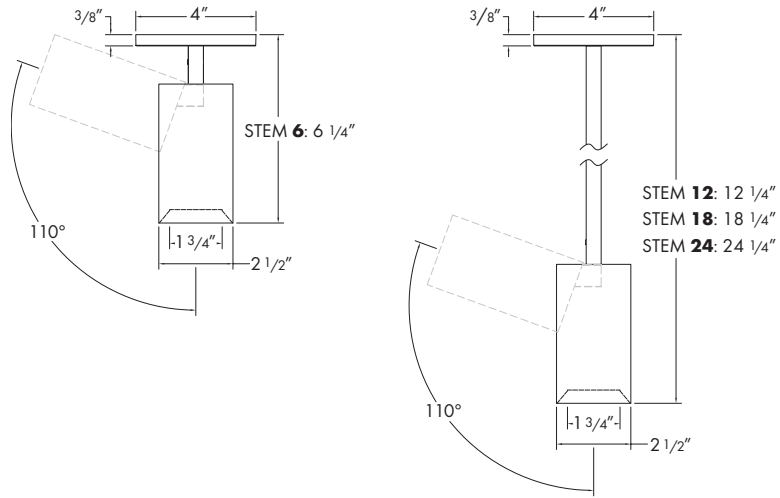
*Beam enhancing lens used in combination with 10°, 15°, 25°, or 40° optic to achieve desired beam spread.

MPT3 SERIES - CONE OF LIGHT DIAGRAMS

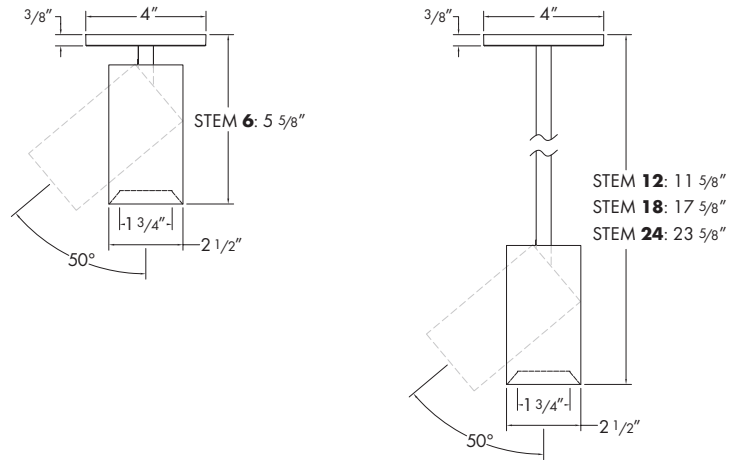
STANDARD OUTPUT - HI-2/ HI LED	<p>10° - Very Narrow Spot</p> <p>MPT3-(R/S)/HI-2-10/1000</p> <p>2ft - 3,829 fc Ø0.4 ft</p> <p>4ft - 957 fc Ø0.7 ft</p> <p>6ft - 425 fc Ø1.1 ft</p> <p>8ft - 239 fc Ø1.5 ft</p> <p>10ft - 153 fc Ø1.9 ft</p> <p>CBCP: 15,496 cd</p>	<p>15° - Narrow Spot</p> <p>MPT3-(R/S)/HI-15/1000</p> <p>2ft - 1,703 fc Ø0.6 ft</p> <p>4ft - 426 fc Ø1.3 ft</p> <p>6ft - 189 fc Ø1.9 ft</p> <p>8ft - 106 fc Ø2.6 ft</p> <p>10ft - 68 fc Ø3.2 ft</p> <p>CBCP: 6,842 cd</p>	<p>25° - Narrow Flood</p> <p>MPT3-(R/S)/HI-25/1000</p> <p>2ft - 865 fc Ø1.0 ft</p> <p>4ft - 216 fc Ø2.0 ft</p> <p>6ft - 96 fc Ø3.0 ft</p> <p>8ft - 54 fc Ø4.0 ft</p> <p>10ft - 35 fc Ø4.9 ft</p> <p>CBCP: 3,470 cd</p>	<p>40° - Flood</p> <p>MPT3-(R/S)/HI-40/1000</p> <p>2ft - 538 fc Ø1.4 ft</p> <p>4ft - 135 fc Ø2.9 ft</p> <p>6ft - 60 fc Ø4.3 ft</p> <p>8ft - 34 fc Ø5.7 ft</p> <p>10ft - 22 fc Ø7.2 ft</p> <p>CBCP: 2,158 cd</p>		
	HIGH OUTPUT - HI LED	<p>15° - Narrow Spot</p> <p>MPT3-(R/S)/HI-15/1400</p> <p>2ft - 2,206 fc Ø0.6 ft</p> <p>4ft - 552 fc Ø1.3 ft</p> <p>6ft - 245 fc Ø1.9 ft</p> <p>8ft - 138 fc Ø2.6 ft</p> <p>10ft - 88 fc Ø3.2 ft</p> <p>CBCP: 8,881 cd</p>	<p>25° - Narrow Flood</p> <p>MPT3-(R/S)/HI-25/1400</p> <p>2ft - 1,139 fc Ø1.0 ft</p> <p>4ft - 285 fc Ø2.0 ft</p> <p>6ft - 127 fc Ø2.9 ft</p> <p>8ft - 71 fc Ø3.9 ft</p> <p>10ft - 46 fc Ø4.9 ft</p> <p>CBCP: 4,579 cd</p>	<p>40° - Flood</p> <p>MPT3-(R/S)/HI-40/1400</p> <p>2ft - 700 fc Ø1.4 ft</p> <p>4ft - 175 fc Ø2.9 ft</p> <p>6ft - 78 fc Ø4.3 ft</p> <p>8ft - 44 fc Ø5.7 ft</p> <p>10ft - 28 fc Ø7.2 ft</p> <p>CBCP: 2,809 cd</p>		
		STANDARD OUTPUT - HI-3 LED	<p>10° - Very Narrow Spot</p> <p>MPT3-(R/S)/HI-3-10/350</p> <p>2ft - 2,831 fc Ø0.4 ft</p> <p>4ft - 708 fc Ø0.7 ft</p> <p>6ft - 315 fc Ø1.1 ft</p> <p>8ft - 177 fc Ø1.4 ft</p> <p>10ft - 113 fc Ø1.8 ft</p> <p>CBCP: 11,580 cd</p>	<p>15° - Narrow Spot</p> <p>MPT3-(R/S)/HI-3-15/350</p> <p>2ft - 1,965 fc Ø0.5 ft</p> <p>4ft - 491 fc Ø1.1 ft</p> <p>6ft - 218 fc Ø1.6 ft</p> <p>8ft - 123 fc Ø2.2 ft</p> <p>10ft - 79 fc Ø2.7 ft</p> <p>CBCP: 7,957 cd</p>	<p>25° - Narrow Flood</p> <p>MPT3-(R/S)/HI-3-25/350</p> <p>2ft - 991 fc Ø0.8 ft</p> <p>4ft - 248 fc Ø1.6 ft</p> <p>6ft - 110 fc Ø2.4 ft</p> <p>8ft - 62 fc Ø3.2 ft</p> <p>10ft - 40 fc Ø4.0 ft</p> <p>CBCP: 3,978 cd</p>	<p>40° - Flood</p> <p>MPT3-(R/S)/HI-3-40/350</p> <p>2ft - 609 fc Ø1.2 ft</p> <p>4ft - 152 fc Ø2.4 ft</p> <p>6ft - 68 fc Ø3.6 ft</p> <p>8ft - 38 fc Ø4.8 ft</p> <p>10ft - 24 fc Ø6.0 ft</p> <p>CBCP: 2,438 cd</p>
			STANDARD OUTPUT - WD LED	<p>15° - Narrow Spot</p> <p>MPT3-(R/S)/WD-15/350</p> <p>2ft - 1,059 fc Ø0.8 ft</p> <p>4ft - 265 fc Ø1.6 ft</p> <p>6ft - 118 fc Ø2.4 ft</p> <p>8ft - 66 fc Ø3.3 ft</p> <p>10ft - 42 fc Ø4.1 ft</p> <p>CBCP: 4,255 cd</p>	<p>25° - Narrow Flood</p> <p>MPT3-(R/S)/WD-25/350</p> <p>2ft - 691 fc Ø1.0 ft</p> <p>4ft - 173 fc Ø2.0 ft</p> <p>6ft - 77 fc Ø3.0 ft</p> <p>8ft - 43 fc Ø4.0 ft</p> <p>10ft - 28 fc Ø5.0 ft</p> <p>CBCP: 2,770 cd</p>	<p>40° - Flood</p> <p>MPT3-(R/S)/WD-40/350</p> <p>2ft - 528 fc Ø1.3 ft</p> <p>4ft - 132 fc Ø2.6 ft</p> <p>6ft - 59 fc Ø3.9 ft</p> <p>8ft - 33 fc Ø5.2 ft</p> <p>10ft - 21 fc Ø6.5 ft</p> <p>CBCP: 1,820 cd</p>

Performance shown for 3000K. Output varies by CCT.

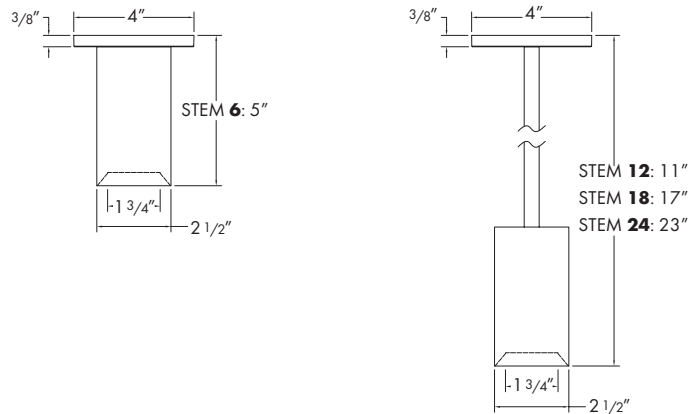
MPT3-R-SM-4R - CEILING MOUNTED - POSITION 1 - STEM OPTIONS: 6, 12, 18, and 24



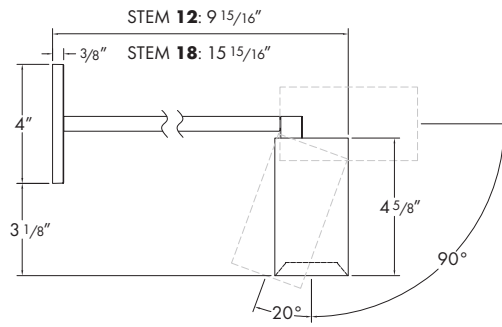
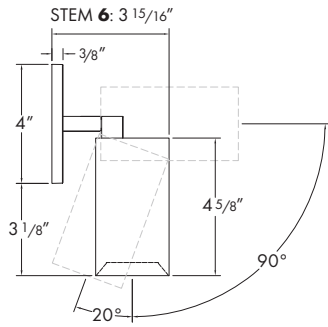
MPT3-R-SM-4R - CEILING MOUNTED - POSITION 2 - STEM OPTIONS: 6, 12, 18, and 24



MPT3-R-SM-4R - CEILING MOUNTED - POSITION 3 - STEM OPTIONS: 6, 12, 18, and 24



MPT3-R-SM-4R - WALL MOUNTED - POSITION 1 - STEM OPTIONS: 6, 12, and 18



MPT3-R-SM-4R - WALL MOUNTED - POSITION 2 - STEM OPTIONS: 6, 12, and 18

