

HOUSING: **804S** – LOW PROFILE
 LAMP MODULE: **J2S** – ADJUSTABLE | LED
 TRIM: **FS/FR + FLS/FLR** w/ **WW-8** WALL WASH ACCESSORY



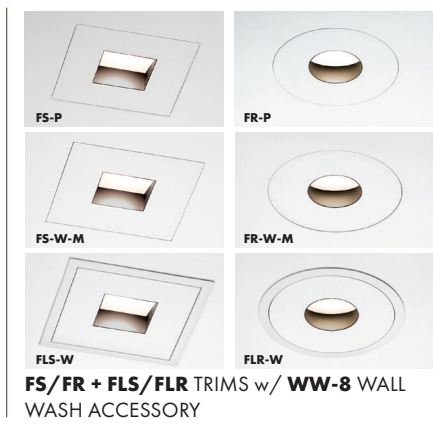
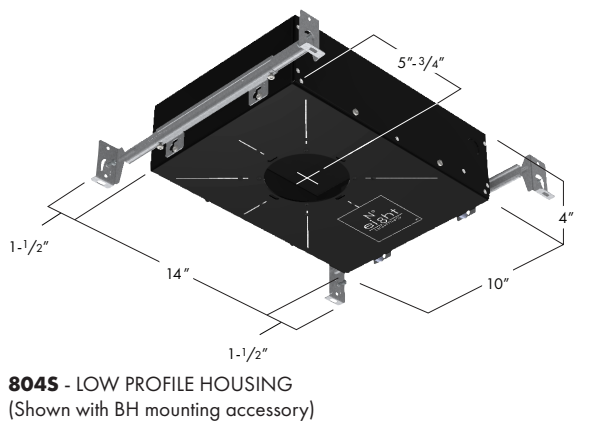
526 Portal Street
 Cotati, CA 94931
 USA
 P 707.794.0888
 www.8lighting.com

All No. 8 Lighting fixtures and components are UL Listed to both U.S. and Canadian requirements. Select 804S Series fixtures and components are also CE Certified. No. 8 Lighting trims and lamp modules are protected by one or more U.S. Patents. No. 8 Lighting reserves the right to change details of design, materials, and finish.
 © 2026 No. 8 Lighting
 Doc # 91174-13.5



Project Name	
Date	Type
Prepared By	
Comments	
Catalog # 804S/J2S – – – / – /	
– – – WW-8	

PRODUCT FEATURES



804S/J2S w/ WW-8 WALL WASH ACCESSORY - SPECIFICATION SUMMARY

	Static White Standard Output			Static White High Output	Warm Dimming			Tunable White
	HI	HI-2	HI-3	HI	WD	WD-2	WD-4	TW
LED Option	HI	HI-2	HI-3	HI	WD	WD-2	WD-4	TW
Delivered Lumens	586-663	452-506	606	765-861	479-532	480-528	506-555	522-568
System Wattage	14	14.5	14.7	20	14.5	14.5	14.5	14
Efficacy	42-47	31-35	41	38-43	33-37	33-37	35-38	37-41
CRI	94	94	97	93	97	97	97	96
R9	58	63	98	56	83	78	76	80
CCT Options	2700K, 3000K			3000-1800K	2800-2200K	3000-2200K	4700-2200K	
Optic Options	40	10-FL	40	40	40	40	40	40
Color Consistency	2-Step				3-Step			
Optical Accessories	2400K, 2700K, 3500K Color Filters							
Adjustability	0-45° Tilt, 360° Rotation, Lockable							
Driver Options	<1% Forward/Reverse Phase (120v), 0.1/1% 0-10v (120-277v), 0.1/1% DALI (120-277v), 0.1% DMX (120-277v), 0.1/1% EcoSystem (120 or 277v)							
Trim Options	Round/Square Wall-Wash							
Finish Options	White, Oil-Rubbed Bronze, Pewter, Satin Nickel, Black							
Trim Mounting Options	Flanged, Flangeless Sheetrock, Flangeless Wood							
Trim Accessory	UL Wet Listed and IP54 Rated - Wall-Wash							
Housing Options	New Construction: Type Non-IC Air-Tight, Type IC-CP Rated CCEA Approved Air-Tight							

Data shown for J2S Lamp Module with FS/FLS and FR/FLR Trims and WW-8 Accessory.
 Static White data shown for 3000K.
 Warm Dimming data shown for 3000K and 2800K.
 Tunable White data shown for 3000K.
 800 Series Trims specified separately.

PRODUCT SPECIFIER/PRODUCT ORDER NUMBER

804S / **J2S** - - - - - / - - - - - /

HOUSING

LAMP MODULE

LED OPTIONS

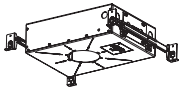
OPTIC OPTIONS

OPTICAL ACCESSORIES (Optional)

DRIVER OPTIONS

OUTPUT

MOUNTING ACCESSORIES



804S
New Construction – Low Profile AIRTIGHT-IC and Non-IC Rated
10"W* x 14"L* x 4"H†
*Add 3" to length or width to accommodate mounting accessories.
†Minimum 4 -1/2" ceiling space required when used with INSET and BEVEL Series trim assemblies.

LED ADJUSTABLE



J2S
45° tilt, full 360° rotation with tool-less locking vertical and horizontal adjustment

HI-27
2700K White LED
HI
3000K White LED
HI-2-27*†
2700K White LED
HI-2*†
3000K White LED
HI-3-27†
2700K White High R9 LED
HI-3†
3000K White High R9 LED
WD†
3000-1800K Warm Dim LED
WD-2†
2800-2200K Warm Dim LED
WD-4†
3000-2200K Warm Dim LED
TW†
4700-2200K Tunable White LED
*For use with 10° optic only.
†Available in standard output only.

40
40° Flood
10-FL*
10° Very Narrow Spot + FL Beam Enhancing Lens
*For use with HI-2 LED options only.

CF24*
2400K Color Filtering Lens
CF27*
2700K Color Filtering Lens
CF35*
3500K Color Filtering Lens
*For use with HI, HI-2, and HI-3 2700K LED options only.
**For use with HI, HI-2, and HI-3 3000K LED options only.

PR1-8
Premium Forward or Reverse-Phase <1% Dimming
DMX1-8
DMX 0.1% Dimming
DMX2-8*
2-channel DMX 0.1% Dimming
EL1-8†
EldoLED 0-10v 1% Dimming
EL1-01-8†
EldoLED 0-10v 0.1% Dimming
EL2-8†
EldoLED DALI 1% Dimming
EL2-01-8†
EldoLED DALI 0.1% Dimming
EL3-8*
EldoLED 2-channel DALI 0.1% Dimming
EL5-8*
EldoLED 2-channel 0-10v 0.1% Dimming
LU2-8
Lutron Hi-Lume LDE1 Eco-System 1% Dimming
LU4-8
Lutron Hi-Lume PEQOE EcoSystem 0.1% Dimming
*Available with TW LED option only.
†Also CE Certified with HI or HI-2 LED options.

350
Standard output for HI-3, HI-3-27, WD, WD-2, or WD-4 LED Options
700†
Standard output for TW LED Option
1000
Standard output for HI, HI-27, HI-2, or HI-2-27 LED Options
1400*
High output for HI or HI-27 LED Options
†For use with DMX2-8, EL3-8, or EL5-8 dimming options only.
*Non-IC only. Not available w/ DMX1-8, LU2-8, or LU4-8 dimming options.

BH
Bar Hangers for joist mounting
BB
Butterfly Brackets for c-channel or bar mounting
TBC-BH
T-Bar Mounting Clips + Bar Hangers for T-Bar mounting
PMB
Panel Mounting Brackets (set of two) for direct mounting to wood panels

TRIM PRODUCT SPECIFIER/PRODUCT ORDER NUMBER

WW-8

TRIM

TRIM APPLICATION

TRIM FINISH

TRIM ACCESSORY

FS
FLANGELESS SQUARE – Trim plate flush to the ceiling
FR
FLANGELESS ROUND – Trim plate flush to the ceiling
FLS
FLANGED SQUARE – Trim plate flush to trim
FLR
FLANGED ROUND – Trim plate flush to trim

P-1*
Flush Plaster/Sheetrock ceiling applications with 5/32" thick drywall compound or plaster finish
P-2*
Flush Plaster/Sheetrock ceiling applications with 5/16" thick drywall compound or plaster finish
W†
Wood/Stone/Sheetrock/Acoustic Tile ceiling applications
W-M*
Wood/Stone ceiling applications
*For use with FS and FR trim options only.
†For use with FLS and FLR trim options only.

WH
WHITE
PW
PEWTER*
SN
SATIN NICKEL*
OB
OIL-RUBBED BRONZE*
BK
BLACK*
*Specialty finish.

WW-8*
WALL WASH accessory installed in 1.75" aperture trim plate
*UL WET LISTED and IP54 Rated for use in DRY, DAMP, or WET locations (covered ceiling applications only).
Approved for use in residential steam applications. Not for use in commercial steam applications.

Housing and Installation Notes

804S Low Profile universal IC and Non-IC Rated housing available with two output options. Meets Washington State Airtight Standard WAC 51-11-0502 and in accordance with ASTM E283 to reduce energy loss. CCEA plenum rated for City of Chicago environmental air spaces. Standard output options are IC-Rated for direct contact with standard or spray-foam thermal insulation with a max combined R-Value of R42. High output options are Non-IC rated for use where insulation can be kept a minimum of 3" away from all sides. For standard output models, ambient temperatures in ceiling space should not exceed 40°C (104°F) during normal operation. For high output models and all models with **LU2-8** dimming option, ambient temperatures should not exceed 25°C (77°F).

Lamp Module, LED, and Accessory Notes

J2S Fully adjustable lamp module and **WW-8** wall wash accessory installed with **FS/FR** or **FLS/FLR** 800 Series trims for uniform wall wash applications. To ensure fixture to fixture color consistency, use of the same LED option with adjacent fixtures is recommended.

Driver and Output Option Notes

0-10v and DMX driver options are configured for linear control. DALI driver options are configured for logarithmic control. No.8 Lighting conducts extensive testing to establish compatibility with many dimmer types. For a complete list of compatible dimmers, see 8lighting.com/resources-downloads. Outputs vary depending on LED type, trim type, and optical accessories used. For photometric files in PDF and IES formats, see 8lighting.com/800-series-photometry.

Warranty

All No. 8 Lighting products are covered by a 5 year limited warranty. Products installed in residential steam applications are covered by a 2 year limited warranty. For specific warranty details and limitations, see 8lighting.com/resources-downloads.

804S/J2S w/ FS/FLS-WW-8 1.75" APERTURE TRIM - PERFORMANCE SUMMARY

LED	OUTPUT	OPTIC OPTION	CCT	CRI	R9	Delivered Lumens	System Wattage	Delivered LPW
HI-27	1000	40	2700K	94	57	617	14	44
HI	1000	40	3000K	94	58	663	14	47
HI-27	1400	40	2700K	94	55	801	20	40
HI	1400	40	3000K	93	56	861	20	43
HI-2-27	1000	10-FL	2700K	94	61	471	14.5	32
HI-2	1000	10-FL	3000K	94	62	506	14.5	35
HI-3-27	350	40	2700K	97	98	564	14.7	38
HI-3	350	40	3000K	97	98	606	14.7	41
WD	350	40	3000-1800K	97	83	532	14.7	37
WD-2	350	40	2800-2200K	97	78	528	14.5	36
WD-4	350	40	3000-2200K	97	76	555	14.5	38
TW	700	40	4700-2200K	96	80	568	14	41

Performance summary for TW, WD and WD-4 LED at 3000K, WD-2 LED at 2800K.

804S/J2S w/ FR/FLR-WW-8 1.75" APERTURE TRIM - PERFORMANCE SUMMARY

LED	OUTPUT	OPTIC OPTION	CCT	CRI	R9	Delivered Lumens	System Wattage	Delivered LPW
HI-27	1000	40	2700K	94	57	545	14	39
HI	1000	40	3000K	94	58	586	14	42
HI-27	1400	40	2700K	94	55	711	20	36
HI	1400	40	3000K	93	56	765	20	38
HI-2-27	1000	10-FL	2700K	94	61	420	14.5	29
HI-2	1000	10-FL	3000K	94	62	452	14.5	31
HI-3-27	350	40	2700K	97	98	513	14.7	35
HI-3	350	40	3000K	97	98	552	14.7	38
WD	350	40	3000-1800K	97	82	479	14.5	33
WD-2	350	40	2800-2200K	97	78	480	14.5	33
WD-4	350	40	3000-2200K	97	78	506	14.5	35
TW	700	40	4700-2200K	96	79	522	14	37

Performance summary for TW, WD, and WD-4 LED at 3000K and WD-2 LED at 2800K.

804S/J2S-HI-40/1000 w/ FS/FLS TRIM + WW-8 WALL WASH ACCESSORY – FOOTCANDLES ON WALL

DISTANCE TO WALL		2.0 ft						2.5 ft						
ON CENTER SPACING			2.0 ft			2.5 ft			2.5 ft			3.0 ft		
	DISTANCE FROM CEILING	0.5 ft	1.0	1.1	1.0	0.9	0.8	0.9	0.3	0.3	0.3	0.3	0.2	0.3
		1.5 ft	27.3	31.0	27.3	25.1	25.0	25.1	13.4	14.8	13.4	12.6	12.1	12.6
		2.5 ft	28.0	32.6	28.0	25.2	28.8	25.2	19.6	22.8	19.6	18.1	20.0	18.1
		3.5 ft	18.4	20.8	18.4	16.7	19.3	16.7	16.1	18.7	16.1	14.8	17.2	14.8
		4.5 ft	11.3	12.4	11.3	10.5	11.8	10.5	11.2	12.7	11.2	10.4	12.0	10.4
		5.5 ft	7.1	7.6	7.1	6.7	7.3	6.7	7.6	8.4	7.6	7.1	8.0	7.1
		6.5 ft	4.6	4.9	4.6	4.4	4.8	4.4	5.2	5.6	5.2	4.9	5.4	4.9
		7.5 ft	3.1	3.3	3.1	3.0	3.2	3.0	3.6	3.9	3.6	3.5	3.8	3.5
		8.5 ft	2.2	2.3	2.2	2.2	2.3	2.2	2.6	2.8	2.6	2.5	2.7	2.5
		9.5 ft	1.6	1.7	1.6	1.6	1.6	1.6	1.9	2.0	1.9	1.9	2.0	1.9

Note: With HI LED option, use 40° optic and 20° aiming angle for optimal performance. Data shown for 3000K CCT.

804S/J2S-HI-40/1400 w/ FS/FLS TRIM + WW-8 WALL WASH ACCESSORY – FOOTCANDLES ON WALL

DISTANCE TO WALL		2.0 ft						2.5 ft						
ON CENTER SPACING			2.0 ft			2.5 ft			2.5 ft			3.0 ft		
	DISTANCE FROM CEILING	0.5 ft	1.3	1.5	1.3	1.3	1.0	1.3	0.4	0.4	0.4	0.4	0.3	0.4
		1.5 ft	35.4	40.2	35.4	32.5	32.4	32.5	17.3	19.2	17.3	16.3	15.7	16.3
		2.5 ft	36.3	42.4	36.3	32.8	37.4	32.8	25.5	29.6	25.5	23.5	26.0	23.5
		3.5 ft	23.9	27.1	23.9	21.7	25.1	21.7	20.9	24.2	20.9	19.2	22.3	19.2
		4.5 ft	14.7	16.1	14.7	13.6	15.3	13.6	14.6	16.5	14.6	13.5	15.6	13.5
		5.5 ft	9.2	9.9	9.2	8.7	9.5	8.7	9.9	10.9	9.9	9.3	10.4	9.3
		6.5 ft	6.0	6.4	6.0	5.8	6.2	5.8	6.8	7.3	6.8	6.4	7.1	6.4
		7.5 ft	4.1	4.3	4.1	3.9	4.2	3.9	4.7	5.0	4.7	4.6	4.9	4.6
		8.5 ft	2.9	3.0	2.9	2.8	2.9	2.8	3.4	3.6	3.4	3.3	3.5	3.3
		9.5 ft	2.1	2.2	2.1	2.0	2.1	2.0	2.5	2.6	2.5	2.5	2.6	2.5

Note: With HI LED option, use 40° optic and 20° aiming angle for optimal performance. Data shown for 3000K CCT.

804S/J2S-HI-2-10-FL/1000 w/ FS/FLS TRIM + WW-8 WALL WASH ACCESSORY – FOOTCANDLES ON WALL

DISTANCE TO WALL		2.0 ft						2.5 ft						
ON CENTER SPACING			2.0 ft			2.5 ft			2.5 ft			3.0 ft		
	DISTANCE FROM CEILING	0.5 ft	0.3	0.3	0.3	0.3	0.2	0.3	0.1	0.1	0.1	0.1	0.1	
		1.5 ft	14.4	15.2	14.4	13.0	11.8	13.0	5.6	5.7	5.6	5.2	4.5	5.2
		2.5 ft	20.2	22.2	20.2	17.9	19.2	17.9	12.7	13.9	12.7	11.5	12.0	11.5
		3.5 ft	14.8	16.0	14.8	13.4	14.7	13.4	12.1	13.3	12.1	11.0	12.1	11.0
		4.5 ft	9.6	10.1	9.6	8.9	9.6	8.9	9.1	9.8	9.1	8.4	9.2	8.4
		5.5 ft	6.2	6.4	6.2	5.8	6.2	5.8	6.4	6.8	6.4	6.0	6.5	6.0
		6.5 ft	4.1	4.2	4.1	3.9	4.1	3.9	4.5	4.7	4.5	4.3	4.5	4.3
		7.5 ft	2.8	2.9	2.8	2.7	2.8	2.7	3.2	3.3	3.2	3.1	3.2	3.1
		8.5 ft	2.0	2.0	2.0	1.9	2.0	1.9	2.3	2.4	2.3	2.2	2.3	2.2
		9.5 ft	1.5	1.5	1.5	1.4	1.4	1.4	1.7	1.8	1.7	1.7	1.7	1.7

Note: With HI-2 LED option, use 10° optic + FL lens and 20° aiming angle for optimal performance. Data shown for 3000K CCT.

804S/J2S-HI-3-40/350 w/ FS/FLS TRIM + WW-8 WALL WASH ACCESSORY – FOOTCANDLES ON WALL

DISTANCE TO WALL		2.0 ft						2.5 ft						
ON CENTER SPACING			2.0 ft			2.5 ft			2.5 ft			3.0 ft		
	DISTANCE FROM CEILING	0.5 ft	0.3	0.4	0.3	0.3	0.3	0.3	0.1	0.1	0.1	0.1	0.1	0.1
		1.5 ft	20.1	22.1	20.1	18.3	17.8	18.3	8.6	9.4	8.6	8.0	7.7	8.0
		2.5 ft	27.0	30.8	27.0	24.1	27.2	24.1	16.9	19.1	16.9	15.5	16.8	15.5
		3.5 ft	20.0	22.1	20.0	18.1	20.6	18.1	16.3	18.5	16.3	14.9	17.1	14.9
		4.5 ft	12.7	13.6	12.7	11.8	13.0	11.8	12.3	13.5	12.3	11.3	12.8	11.3
		5.5 ft	8.1	8.5	8.1	7.6	8.2	7.6	8.5	9.2	8.5	8.0	8.8	8.0
		6.5 ft	5.3	5.5	5.3	5.1	5.4	5.1	5.9	6.2	5.9	5.6	6.1	5.6
		7.5 ft	3.6	3.7	3.6	3.5	3.6	3.5	4.2	4.3	4.2	4.0	4.2	4.0
		8.5 ft	2.5	2.6	2.5	2.5	2.5	2.5	3.0	3.1	3.0	2.9	3.1	2.9
		9.5 ft	1.8	1.9	1.8	1.8	1.9	1.8	2.2	2.3	2.2	2.2	2.2	2.2

Note: With HI-3 LED option, use 40° optic and 20° aiming angle for optimal performance. Data shown for 3000K CCT.

804S/J2S-WD-40/350 w/ FS/FLS TRIM + WW-8 WALL WASH ACCESSORY – FOOTCANDLES ON WALL

DISTANCE TO WALL		2.0 ft						2.5 ft						
ON CENTER SPACING			2.0 ft			2.5 ft			2.5 ft			3.0 ft		
	DISTANCE FROM CEILING	0.5 ft	1.1	1.4	1.1	1.0	0.9	1.0	0.3	0.4	0.3	0.3	0.3	0.3
		1.5 ft	21.8	25.5	21.8	19.8	20.3	19.8	10.5	12.0	10.5	9.7	9.8	9.7
		2.5 ft	23.8	28.4	23.8	21.2	24.9	21.2	16.3	19.5	16.3	14.9	17.0	14.9
		3.5 ft	16.0	18.2	16.0	14.4	16.9	14.4	13.8	16.3	13.8	12.6	14.9	12.6
		4.5 ft	9.8	10.8	9.8	9.1	10.3	9.1	11.1	11.1	11.1	9.0	10.5	9.0
		5.5 ft	6.2	6.6	6.2	5.8	6.4	5.8	7.3	7.3	7.3	6.2	7.0	6.2
		6.5 ft	4.0	4.2	4.0	3.8	4.1	3.8	4.9	4.9	4.9	4.3	4.7	4.3
		7.5 ft	2.7	2.8	2.7	2.7	2.8	2.7	3.4	3.4	3.4	3.0	3.3	3.0
		8.5 ft	1.9	2.0	1.9	1.9	2.0	1.9	2.4	2.4	2.4	2.2	2.4	2.2
		9.5 ft	1.4	1.4	1.4	1.4	1.4	1.4	1.7	1.8	1.7	1.6	1.7	1.6

Note: With WD, WD-2, or WD-4 LED option, use 40° optic and 20° aiming angle for optimal performance. Data shown for 3000K CCT.

804S/J2S-TW-40/700 w/ FS/FLS TRIM + WW-8 WALL WASH ACCESSORY – FOOTCANDLES ON WALL

DISTANCE TO WALL		2.0 ft						2.5 ft						
ON CENTER SPACING			2.0 ft			2.5 ft			2.5 ft			3.0 ft		
	DISTANCE FROM CEILING	0.5 ft	1.0	1.3	1.0	0.6	0.6	0.6	0.2	0.2	0.2	0.2	0.2	
		1.5 ft	22.0	24.9	22.0	20.3	20.5	20.3	10.4	11.6	10.4	9.6	9.5	9.6
		2.5 ft	24.7	28.1	24.7	23.3	26.6	23.3	17.3	20.0	17.3	15.9	17.7	15.9
		3.5 ft	16.6	18.1	16.6	16.2	18.4	16.2	15.3	17.3	15.3	14.0	16.1	14.0
		4.5 ft	10.1	10.8	10.1	10.2	11.3	10.2	10.9	12.0	10.9	10.1	11.4	10.1
		5.5 ft	6.3	6.6	6.3	6.5	7.0	6.5	7.4	7.9	7.4	7.0	7.7	7.0
		6.5 ft	4.1	4.2	4.1	4.3	4.5	4.3	5.0	5.3	5.0	4.8	5.2	4.8
		7.5 ft	2.8	2.8	2.8	2.9	3.1	2.9	3.5	3.7	3.5	3.4	3.6	3.4
		8.5 ft	2.0	2.0	2.0	2.1	2.1	2.1	2.5	2.6	2.5	2.4	2.6	2.4
		9.5 ft	1.4	1.4	1.4	1.5	1.6	1.5	1.9	1.9	1.9	1.8	1.9	1.8

Note: With TW LED option, use 40° optic and 20° aiming angle for optimal performance. Data shown for 3000K CCT.

804S/J2S-HI-40/1000 w/ FR/FLR TRIM + WW-8 WALL WASH ACCESSORY – FOOTCANDLES ON WALL

DISTANCE TO WALL		2.0 ft						2.5 ft						
ON CENTER SPACING			2.0 ft			2.5 ft			2.5 ft			3.0 ft		
	DISTANCE FROM CEILING	0.5 ft	0.8	0.8	0.8	0.8	0.5	0.8	0.2	0.2	0.2	0.2	0.2	0.2
		1.5 ft	25.1	29.1	25.1	22.8	23.2	22.8	12.1	13.6	12.1	11.3	10.9	11.3
		2.5 ft	26.4	31.0	26.4	23.7	27.1	23.7	18.2	21.4	18.2	16.7	18.7	16.7
		3.5 ft	17.7	20.2	17.7	16.0	18.7	16.0	15.3	17.9	15.3	14.0	16.3	14.0
		4.5 ft	10.9	12.0	10.9	10.1	11.4	10.1	10.8	12.3	10.8	10.0	11.6	10.0
		5.5 ft	6.8	7.3	6.8	6.4	7.1	6.4	7.3	8.1	7.3	6.9	7.8	6.9
		6.5 ft	4.4	4.7	4.4	4.2	4.6	4.2	5.0	5.4	5.0	4.7	5.2	4.7
		7.5 ft	3.0	3.1	3.0	2.9	3.1	2.9	3.5	3.7	3.5	3.3	3.6	3.3
		8.5 ft	2.1	2.2	2.1	2.0	2.1	2.0	2.5	2.6	2.5	2.4	2.6	2.4
		9.5 ft	1.5	1.6	1.5	1.5	1.5	1.5	1.8	1.9	1.8	1.8	1.9	1.8

Note: With HI LED option, use 40° optic and 20° aiming angle for optimal performance. Data shown for 3000K CCT.

804S/J2S-HI-40/1400 w/ FR/FLR TRIM + WW-8 WALL WASH ACCESSORY – FOOTCANDLES ON WALL

DISTANCE TO WALL		2.0 ft						2.5 ft						
ON CENTER SPACING			2.0 ft			2.5 ft			2.5 ft			3.0 ft		
	DISTANCE FROM CEILING	0.5 ft	1.1	0.9	1.1	1.0	0.6	1.0	0.3	0.3	0.3	0.3	0.2	0.3
		1.5 ft	32.2	36.6	32.2	29.4	29.3	29.4	15.5	17.0	15.5	14.6	13.7	14.6
		2.5 ft	34.0	39.6	34.0	30.5	34.6	30.5	23.5	27.2	23.5	21.6	23.7	21.6
		3.5 ft	22.9	26.1	22.9	20.7	24.0	20.7	19.7	22.9	19.7	18.1	20.9	18.1
		4.5 ft	14.1	15.6	14.1	13.0	14.8	13.0	14.0	15.9	14.0	12.9	14.9	12.9
		5.5 ft	8.8	9.5	8.8	8.3	9.2	8.3	9.5	10.5	9.5	8.9	10.1	8.9
		6.5 ft	5.7	6.1	5.7	5.5	5.9	5.5	6.5	7.0	6.5	6.1	6.8	6.1
		7.5 ft	3.9	4.1	3.9	3.7	4.0	3.7	4.5	4.8	4.5	4.3	4.7	4.3
		8.5 ft	2.7	2.8	2.7	2.6	2.8	2.6	3.3	3.4	3.3	3.1	3.4	3.1
		9.5 ft	2.0	2.0	2.0	1.9	2.0	1.9	2.4	2.5	2.4	2.3	2.5	2.3

Note: With HI LED option, use 40° optic and 20° aiming angle for optimal performance. Data shown for 3000K CCT.

804S/J2S-HI-2-10-FL/1000 w/ FR/FLR TRIM + WW-8 WALL WASH ACCESSORY – FOOTCANDLES ON WALL

DISTANCE TO WALL		2.0 ft						2.5 ft						
ON CENTER SPACING			2.0 ft			2.5 ft			2.5 ft			3.0 ft		
	DISTANCE FROM CEILING	0.5 ft	0.5	0.5	0.5	0.5	0.4	0.5	0.2	0.2	0.2	0.2	0.1	0.2
		1.5 ft	15.2	16.2	15.2	13.8	13.0	13.8	6.2	6.3	6.2	5.9	5.1	5.9
		2.5 ft	19.9	22.3	19.9	17.8	19.8	17.8	12.8	14.3	12.8	11.7	12.6	11.7
		3.5 ft	14.3	15.7	14.3	12.9	14.7	12.9	11.8	13.2	11.8	10.8	12.2	10.8
		4.5 ft	9.1	9.8	9.1	8.5	9.4	8.5	8.8	9.6	8.8	8.1	9.1	8.1
		5.5 ft	5.8	6.1	5.8	5.5	6.0	5.5	6.1	6.6	6.1	5.7	6.3	5.7
		6.5 ft	3.8	4.0	3.8	3.7	3.9	3.7	4.3	4.5	4.3	4.0	4.4	4.0
		7.5 ft	2.6	2.7	2.6	2.5	2.7	2.5	3.0	3.2	3.0	2.9	3.1	2.9
		8.5 ft	1.9	1.9	1.9	1.8	1.9	1.8	2.2	2.3	2.2	2.1	2.2	2.1
		9.5 ft	1.3	1.4	1.3	1.3	1.4	1.3	1.6	1.7	1.6	1.6	1.6	1.6

Note: With HI-2 LED option, use 10° optic + FL lens and 20° aiming angle for optimal performance. Data shown for 3000K CCT.

804S/J2S-HI-3/350 w/ FR/FLR TRIM + WW-8 WALL WASH ACCESSORY – FOOTCANDLES ON WALL

DISTANCE TO WALL		2.0 ft						2.5 ft						
ON CENTER SPACING			2.0 ft			2.5 ft			2.5 ft			3.0 ft		
	DISTANCE FROM CEILING	0.5 ft	0.4	0.4	0.4	0.4	0.3	0.4	0.2	0.2	0.2	0.2	0.1	0.2
		1.5 ft	17.5	19.0	17.5	15.9	15.1	15.9	7.4	7.8	7.4	6.9	6.2	6.9
		2.5 ft	24.3	27.2	24.3	21.7	23.6	21.7	15.0	16.6	15.0	13.7	14.4	13.7
		3.5 ft	18.4	20.4	18.4	16.6	18.8	16.6	14.8	16.6	14.8	13.5	15.0	13.5
		4.5 ft	12.0	12.9	12.0	11.1	12.3	11.1	11.3	12.5	11.3	10.4	11.8	10.4
		5.5 ft	7.7	8.1	7.7	7.2	7.9	7.2	8.0	8.7	8.0	7.5	8.3	7.5
		6.5 ft	5.1	5.3	5.1	4.9	5.2	4.9	5.6	6.0	5.6	5.3	5.8	5.3
		7.5 ft	3.5	3.6	3.5	3.3	3.5	3.3	4.0	4.2	4.0	3.8	4.1	3.8
		8.5 ft	2.5	2.5	2.5	2.4	2.5	2.4	2.9	3.0	2.9	2.8	2.9	2.8
		9.5 ft	1.8	1.8	1.8	1.7	1.8	1.7	2.1	2.2	2.1	2.1	2.2	2.1

Note: With **HI-3** LED option, use 40° optic and 20° aiming angle for optimal performance. Data shown for 3000K CCT.

804S/J2S-WD-40/350 w/ FR/FLR TRIM + WW-8 WALL WASH ACCESSORY – FOOTCANDLES ON WALL

DISTANCE TO WALL		2.0 ft						2.5 ft						
ON CENTER SPACING			2.0 ft			2.5 ft			2.5 ft			3.0 ft		
	DISTANCE FROM CEILING	0.5 ft	1.1	1.0	1.1	1.0	0.7	1.0	0.4	0.3	0.4	0.3	0.2	0.3
		1.5 ft	19.3	21.6	19.3	17.5	17.5	17.5	9.1	10.0	9.1	8.5	8.1	8.5
		2.5 ft	22.1	25.3	22.1	19.7	22.3	19.7	14.8	16.8	14.8	13.5	14.6	13.5
		3.5 ft	15.3	17.1	15.3	13.7	16.0	13.7	13.0	14.8	13.0	11.8	13.5	11.8
		4.5 ft	9.5	10.3	9.5	8.7	9.9	8.7	9.3	10.4	9.3	8.6	9.9	8.6
		5.5 ft	6.0	6.4	6.0	5.6	6.2	5.6	6.4	7.0	6.4	6.0	6.7	6.0
		6.5 ft	3.9	4.1	3.9	3.7	4.0	3.7	4.4	4.7	4.4	4.2	4.6	4.2
		7.5 ft	2.6	2.7	2.6	2.5	2.7	2.5	3.1	3.2	3.1	2.9	3.2	2.9
		8.5 ft	1.9	1.9	1.9	1.8	1.9	1.8	2.2	2.3	2.2	2.1	2.3	2.1
		9.5 ft	1.3	1.4	1.3	1.3	1.4	1.3	1.6	1.7	1.6	1.6	1.7	1.6

Note: With **WD**, **WD-2**, or **WD-4** LED option, use 40° optic and 20° aiming angle for optimal performance. Data shown for 3000K CCT.

804S/J2S-TW-40/700 w/ FR/FLR TRIM + WW-8 WALL WASH ACCESSORY – FOOTCANDLES ON WALL

DISTANCE TO WALL		2.0 ft						2.5 ft						
ON CENTER SPACING			2.0 ft			2.5 ft			2.5 ft			3.0 ft		
	DISTANCE FROM CEILING	0.5 ft	0.6	0.5	0.6	0.6	0.4	0.6	0.2	0.2	0.2	0.2	0.2	
		1.5 ft	20.4	22.3	20.4	18.4	17.9	18.4	9.3	9.9	9.3	8.6	8.0	8.6
		2.5 ft	24.2	27.4	24.2	21.8	23.9	21.8	16.0	17.9	16.0	14.7	15.5	14.7
		3.5 ft	16.9	18.7	16.9	15.4	17.4	15.4	14.3	16.1	14.3	13.2	14.7	13.2
		4.5 ft	10.6	11.4	10.6	9.8	10.9	9.8	10.3	11.4	10.3	9.6	10.8	9.6
		5.5 ft	6.6	7.0	6.6	6.3	6.8	6.3	7.1	7.7	7.1	6.7	7.4	6.7
		6.5 ft	4.3	4.5	4.3	4.2	4.4	4.2	4.9	5.2	4.9	4.7	5.0	4.7
		7.5 ft	2.9	3.0	2.9	2.8	3.0	2.8	3.4	3.6	3.4	3.3	3.5	3.3
		8.5 ft	2.1	2.1	2.1	2.0	2.1	2.0	2.5	2.6	2.5	2.4	2.5	2.4
		9.5 ft	1.5	1.5	1.5	1.5	1.5	1.5	1.8	1.9	1.8	1.8	1.8	1.8

Note: With **TW** LED option, use 40° optic and 20° aiming angle for optimal performance. Data shown for 3000K CCT.