

HOUSING: **804S-2** - LOW PROFILE MULTI-LAMP LAMP MODULE: **J2S** or **K2S** | LED

Project Name	
Date	Type
Prepared By	
Comments	
Catalog # 804S-2 /	- /
/ L1 -	- - - / L2 -



N^o
eight
LIGHTING

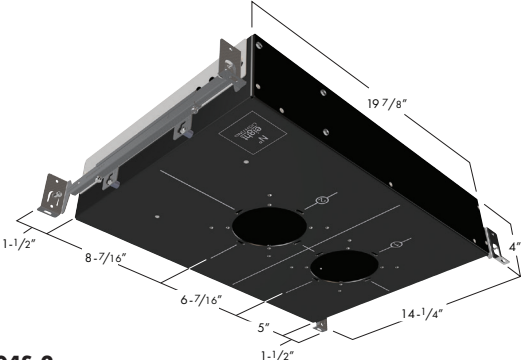
526 Portal Street
Colton, CA 94931
USA
P 707.794.0888
www.8lighting.com

All No. 8 Lighting fixtures and components are UL Listed to both U.S. and Canadian requirements. No. 8 Lighting trims and lamp modules are protected by one or more U.S. Patents. No. 8 Lighting reserves the right to change details of design, materials, and finish.


© 2026 No. 8 Lighting
Doc # 91160-13.4





PRODUCT FEATURES



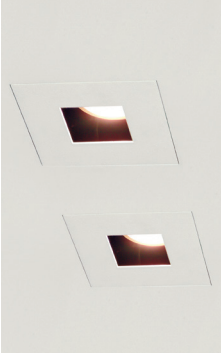
804S-2
LOW PROFILE MULTI-LAMP HOUSING
(shown with BH mounting accessory)




J2S - LED ADJUSTABLE



K2S - LED FIXED POSITION



804S-2 with **FS-P** trim
(Specified separately)



804S-2 with **FR-P** trim
(Specified separately)

804S-2 SPECIFICATION SUMMARY

	Static White Standard Output			Warm Dimming			Tunable White
	HI	HI-2	HI-3	WD	WD-2	WD-4	TW
LED Option							
Delivered Lumens	2082	2088	1898	1674	1668	1734	2036
System Wattage	28	29	30	29	29	29	28
Efficacy	74	72	64	58	58	60	73
CRI	94	94	97	97	97	97	95
R9	60	63	98	82	77	76	79
CCT Options	2700K, 3000K			3000-1800K	2800-2200K	3000-2200K	4700-2200K
Optic Options	15, 25, 40	10	10, 15, 25, 40	15, 25, 40			15T, 25, 40
Color Consistency	2-Step			3-Step			
Optical Accessories	Narrow, Medium, Wide, Extra Wide, Linear Spread, and 2400K, 2700K, 3500K Color Filters						
Adjustability	J2S - 0-45° Tilt, 360° Rotation, Lockable / K2S - Fixed Position						
Driver Options	<1% Forward/Reverse Phase (120v), 0.1%/1% 0-10v (120-277v), 0.1%/1% DALI (120-277v), 0.1% DMX (120-277v), 0.1%/1% EcoSystem (120 or 277v)						
Trim Options	Round/Square Flat, Round/Square Bevel, Round/Square Inset, Round/Square Wall-Wash						
Finish Options	White, Oil-Rubbed Bronze, Pewter, Satin Nickel, Black						
Trim Mounting Options	Flanged, Flangeless Sheetrock, Flangeless Wood						
Trim Accessories	UL Wet Listed and IP54 Rated Lens Options - Clear, Soft Focus, Wall-Wash						
Housing Options	New Construction: Type IC-CP Rated CCEA Approved Air-Tight						

Data shown for Qty. 2 J2S Lamp Modules with FS/FLS/INS-LG/NL trims.
Static White and Tunable White data shown for 3000K.
Warm Dimming data shown for 3000K and 2800K.
See Performance Summaries for additional information.
800 Series Trims specified separately.

PRODUCT SPECIFIER/PRODUCT ORDER NUMBER

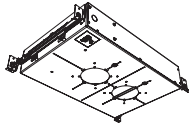
8045-2

HOUSING

DRIVER OPTIONS

OUTPUT

MOUNTING ACCESSORIES



8045-2

New Construction -
Low Profile AIRTIGHT-IC
14¹/₄"W x 19⁷/₈"L* x 4"H†

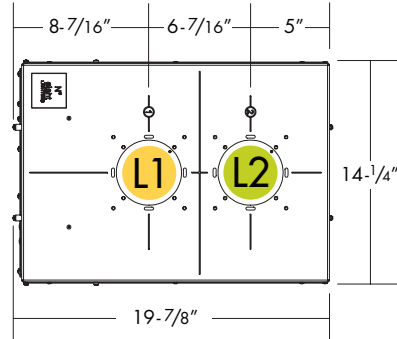
*Add 3" to length to accommodate mounting accessories.

†Minimum 4-¹/₂" ceiling space required when used with INSET and BEVEL Series trim assemblies.

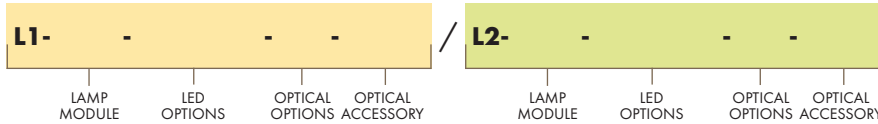
- PR1-8**
Premium Forward or Reverse-Phase <1% Dimming
 - DMX1-8***
DMX 0.1% Dimming
 - DMX2-8****
2-channel DMX 0.1% Dimming
 - EL1-8†**
EldoLED 0-10v 1% Dimming
 - EL1-01-8†**
EldoLED 0-10v 0.1% Dimming
 - EL2-8†**
EldoLED DALI 1% Dimming
 - EL2-01-8†**
EldoLED DALI 0.1% Dimming
 - EL3-8****
EldoLED 2-channel DALI 0.1% Dimming
 - EL5-8****
EldoLED 2-channel 0-10v 0.1% Dimming
 - LU2-8**
Lutron Hi-Lume LDE1 Eco-System 1% Dimming
 - LU4-8**
Lutron Hi-Lume PEQOE EcoSystem 0.1% Dimming
- *Available with HI-3 LED options only.
**Available with TW LED option only.
†Also CE Certified with HI or HI-2 LED options.

- 350**
Standard output for HI-3, HI-3-27, WD, WD-2, or WD-4 LED Options
 - 700†**
Standard output for TW LED Option
 - 1000**
Standard output for HI, HI-2, HI-2, or HI-2-27 LED Options
- †For use with DMX2-8, EL3-8, or EL5-8 driver options only.

- BH**
Bar Hangers for joist mounting
- BB**
Butterfly Brackets for c-channel or bar mounting
- TBC-BH**
T-Bar Mounting Clips + Bar Hangers for T-Bar mounting
- PMB**
Panel Mounting Brackets (set of two) for direct mounting to wood panels



A combination Lamp Module, LED, Optic Option, and (optional) Optical Accessory is required for each lamp position. Lamp Modules can be intermixed within the same housing and are independently controllable.



LAMP MODULE - LED OPTIONS - OPTICAL OPTIONS - OPTICAL ACCESSORY (Optional)



J25
LED ADJUSTABLE
45° tilt, full 360° rotation
with tool-less locking



K25
LED FIXED POSITION

- HI-27**
2700K White LED
- HI**
3000K White LED
- HI-2-27***
2700K White LED
- HI-2***
3000K White LED
- HI-3-27†**
2700K White High R9 LED
- HI-3†**
3000K White High R9 LED

- WD**
3000-1800K Warm Dim LED
- WD-2**
2800-2200K Warm Dim LED
- WD-4**
3000-2200K Warm Dim LED
- TW†**
4700-2200K Tunable White LED

- 10***
10° Very Narrow Spot
 - 15†**
15° Narrow Spot
 - 15T****
15° Narrow Spot-Tunable White
 - 25††**
25° Narrow Flood
 - 40††**
40° Flood
- *For use with HI-2 or HI-3 LED options only.
†For use with HI, HI-3, WD, WD-2, or WD-4 LED options only.
**For use with TW LED option only.
††Not for use with HI-2 LED options.

- NSP**
Narrow Softening Lens
 - NFL**
Medium Softening Lens
 - FL**
Wide Softening Lens
 - WFL**
Extra Wide Softening Lens
 - LS**
Linear Spread Softening Lens
 - CF24***
2400K Color Filtering Lens
 - CF27****
2700K Color Filtering Lens
 - CF35****
3500K Color Filtering Lens
- *For use with HI, HI-2, and HI-3 2700K LED options only.
**For use with HI, HI-2, and HI-3 3000K LED options only.

*For use with 10° optic only.
†Available with J25 Lamp Module only.

Housing and Installation Notes

8045-2 Low Profile AIRTIGHT IC-Rated for direct contact with standard or spray-foam thermal insulation with a max combined R-Value of R42 (may also be installed in Non-IC applications). Meets Washington State Airtight Standard WAC 51-11-0502 and in accordance with ASTM E283 to reduce energy loss. CCEA plenum rated for City of Chicago environmental air spaces. Ambient temperatures in ceiling space should not exceed 40°C (104°F) during normal operation. For models with **EL1-8**, **EL1-01-8**, **EL2-8**, **EL2-01-8**, or **LU2-8** dimming options, ambient temperatures should not exceed 25°C (77°F). Accepts two **J25** or **K25** LED Lamp Modules and two **800 Series** Trim Assemblies. For **800 Series** Trims (specified separately), see 8lighting.com/products-800-series-led.

Driver and Output Option Notes

0-10v and DMX driver options are configured for linear control. DALI driver options are configured for logarithmic control. No.8 Lighting conducts extensive testing to establish compatibility with many dimmer types. For a complete list of compatible dimmers, see 8lighting.com/resources-downloads. Outputs vary depending on LED type, trim type, and optical accessories used. For photometric files in PDF and IES formats, see 8lighting.com/800-series-photometry.

Lamp Module, LED, Optic Option, and Accessory Notes

J25 Fully adjustable lamp module features patented tool-free adjustment mechanism. Use for adjustable accent, wall wash*, and general lighting applications. *For wall washing: specify 40° optic option with **HI**, **HI-3**, **WD**, **WD-2**, **WD-4**, or **TW** LED or 10° optic option and **FL** lens with **HI-2** LED. Requires **WW-8** wall wash accessory, specified with **FS/FR** or **FLS/FLR** (1.75" aperture) **800 Series** trims. **K25** Fixed position lamp module for general lighting applications. To ensure fixture to fixture color consistency, use of the same LED option with adjacent fixtures is recommended. One field interchangeable optic option included standard. Up to two additional optical accessories can be accommodated.

Warranty

All No. 8 Lighting products are covered by a 5 year limited warranty. Products installed in residential steam applications are covered by a 2 year limited warranty. For specific warranty details and limitations, see 8lighting.com/resources-downloads.

JA8-2025 CA Title 24 Compliant.

804S-2/J2S w/ FS/FLS/INS 1.75" APERTURE TRIM - PERFORMANCE SUMMARY

LED	OUTPUT	CCT	CRI	R9	Delivered Lumens	System Wattage	Delivered LPW
HI-27	1000	2700K	94	59	1473-1765	28	53-63
HI	1000	3000K	94	60	1584-1898	28	57-68
HI-2-27	1000	2700K	94	62	1910	29	66
HI-2	1000	3000K	94	63	2054	29	71
HI-3-27	350	2700K	97	96-98	1332-1622	30	45-55
HI-3	350	3000K	97	96-98	1432-1744	30	49-59
WD	350	3000-1800K	97	82	1204-1470	29	42-51
WD-2	350	2800-2200K	96	78	1196-1462	29	41-50
WD-4	350	3000-2200K	96	76	1296-1534	29	45-53
TW	700	4700-2200K	95	79	1344-1886	28	48-67

Performance summary for HI LED with 15°, 25°, and 40° optic options, HI-2 LED with 10° optic option, and HI-3 LED with 10°, 15°, 25°, and 40° optic options.

Performance summary for WD and WD-4 LED at 3000K and WD-2 LED at 2800K with 15°, 25°, and 40° optic options.

Performance summary for TW LED at 3000K with 15°, 25°, and 40° optic options.

804S-2/J2S w/ FR/FLR/INR 1.75" APERTURE TRIM - PERFORMANCE SUMMARY

LED	OUTPUT	CCT	CRI	R9	Delivered Lumens	System Wattage	Delivered LPW
HI-27	1000	2700K	94	59	1428-1750	28	51-63
HI	1000	3000K	94	60	1536-1882	28	55-67
HI-2-27	1000	2700K	94	62	1892	29	65
HI-2	1000	3000K	94	63	2034	29	70
HI-3-27	350	2700K	97	96-98	1292-1608	30	44-55
HI-3	350	3000K	97	96-98	1390-1730	30	48-59
WD	350	3000-1800K	97	81	1200-1478	29	41-51
WD-2	350	2800-2200K	97	77	1190-1478	29	41-51
WD-4	350	3000-2200K	97	76	1256-1500	29	43-52
TW	700	4700-2200K	95	79	1290-1836	28	46-66

Performance summary for HI LED with 15°, 25°, and 40° optic options, HI-2 LED with 10° optic option, and HI-3 LED with 10°, 15°, 25°, and 40° optic options.

Performance summary for WD and WD-4 LED at 3000K and WD-2 LED at 2800K with 15°, 25°, and 40° optic options.

Performance summary for TW LED at 3000K with 15°, 25°, and 40° optic options.

804S/J2S w/ 1.75" APERTURE TRIM - OPTICAL OPTIONS AND ACCESSORY PERFORMANCE SUMMARY

OPTIC OPTIONS	LED OPTIONS	BEAM ENHANCING LENS (OPTIONAL)*				
		+ NSP	+ NFL	+ FL	+ WFL	+ LS
10° Very Narrow Spot	HI-2	14°	25°	44°	47°	13° x 39°
10° Very Narrow Spot	HI-3	14°	23°	40°	46°	14° x 41°
15° Narrow Spot	HI	21°	30°	45°	51°	21° x 40°
15° Narrow Spot	HI-3	17°	26°	42°	50°	17° x 43°
15° Narrow Spot	WD/WD-2/WD-4	24°	31°	36°	50°	25° x 41°
15° Narrow Spot	TW	21°	27°	37°	38°	25° x 30°
25° Narrow Flood	HI	28°	34°	47°	52°	30° x 39°
25° Narrow Flood	HI-3	24°	30°	47°	52°	24° x 49°
25° Narrow Flood	WD/WD-2/WD-4	29°	34°	46°	52°	32° x 38°
25° Narrow Flood	TW	28°	37°	46°	50°	29° x 43°
40° Flood	HI	41°	43°	43°	59°	40° x 52°
40° Flood	HI-3	33°	37°	49°	54°	32° x 51°
40° Flood	WD/WD-2/WD-4	37°	40°	49°	54°	37° x 47°
40° Flood	TW	37°	40°	49°	54°	36° x 48°

*Beam enhancing lens used in combination with 10°, 15°, 25°, or 40° optic to achieve desired beam spread.

804S/J2S w/ FS/FLS/INS 1.75" APERTURE TRIM - CONE OF LIGHT DIAGRAMS

STANDARD OUTPUT	10° - Very Narrow Spot 804S/J2S-HI-2-10/1000	15° - Narrow Spot 804S/J2S-HI-15/1000	25° - Narrow Flood 804S/J2S-HI-25/1000	40° - Flood 804S/J2S-HI-40/1000
	2ft - 3,938 fc Ø0.4 ft 4ft - 985 fc Ø0.8 ft 6ft - 438 fc Ø1.2 ft 8ft - 246 fc Ø1.5 ft 10ft - 158 fc Ø1.9 ft CBCP: 15,774 cd	2ft - 1,426 fc Ø0.7 ft 4ft - 356 fc Ø1.3 ft 6ft - 158 fc Ø2.0 ft 8ft - 89 fc Ø2.6 ft 10ft - 57 fc Ø3.3 ft CBCP: 5,723 cd	2ft - 736 fc Ø1.0 ft 4ft - 184 fc Ø1.9 ft 6ft - 82 fc Ø2.9 ft 8ft - 46 fc Ø3.9 ft 10ft - 29 fc Ø4.8 ft CBCP: 2,952 cd	2ft - 435 fc Ø1.5 ft 4ft - 109 fc Ø3.0 ft 6ft - 48 fc Ø4.4 ft 8ft - 27 fc Ø5.9 ft 10ft - 17 fc Ø7.4 ft CBCP: 1,739 cd
STANDARD OUTPUT - HI-3	10° - Very Narrow Spot 804S/J2S-HI-3-10/350	15° - Narrow Spot 804S/J2S-HI-3-15/350	25° - Narrow Flood 804S/J2S-HI-3-25/350	40° - Flood 804S/J2S-HI-3-40/350
	2ft - 3,109 fc Ø0.4 ft 4ft - 777 fc Ø0.9 ft 6ft - 345 fc Ø1.3 ft 8ft - 194 fc Ø1.7 ft 10ft - 124 fc Ø2.2 ft CBCP: 12,463 cd	2ft - 1,922 fc Ø0.7 ft 4ft - 481 fc Ø1.1 ft 6ft - 214 fc Ø1.6 ft 8ft - 120 fc Ø2.2 ft 10ft - 77 fc Ø3.7 ft CBCP: 7,747 cd	2ft - 917 fc Ø0.8 ft 4ft - 229 fc Ø1.6 ft 6ft - 102 fc Ø2.4 ft 8ft - 57 fc Ø3.3 ft 10ft - 37 fc Ø4.1 ft CBCP: 3,675 cd	2ft - 545 fc Ø1.2 ft 4ft - 136 fc Ø2.4 ft 6ft - 61 fc Ø3.5 ft 8ft - 34 fc Ø4.7 ft 10ft - 22 fc Ø5.9 ft CBCP: 2,183 cd
STANDARD OUTPUT - WARM DIM		15° - Narrow Spot 804S/J2S-WD-15/350	25° - Narrow Flood 804S/J2S-WD-25/350	40° - Flood 804S/J2S-WD-40/350
		2ft - 871 fc Ø0.8 ft 4ft - 218 fc Ø1.6 ft 6ft - 97 fc Ø2.4 ft 8ft - 54 fc Ø3.3 ft 10ft - 35 fc Ø4.1 ft CBCP: 3,498 cd	2ft - 533 fc Ø1.0 ft 4ft - 133 fc Ø2.0 ft 6ft - 59 fc Ø3.1 ft 8ft - 33 fc Ø4.1 ft 10ft - 21 fc Ø5.1 ft CBCP: 2,136 cd	2ft - 401 fc Ø1.3 ft 4ft - 100 fc Ø2.6 ft 6ft - 45 fc Ø4.0 ft 8ft - 25 fc Ø5.3 ft 10ft - 16 fc Ø6.6 ft CBCP: 1,605 cd
STANDARD OUTPUT - TUNABLE WHITE		15° - Narrow Spot 804S/J2S-TW-15T/700	25° - Narrow Flood 804S/J2S-TW-25/700	40° - Flood 804S/J2S-TW-40/700
		2ft - 1,730 fc Ø0.8 ft 4ft - 432 fc Ø1.5 ft 6ft - 192 fc Ø2.3 ft 8ft - 108 fc Ø3.1 ft 10ft - 69 fc Ø3.9 ft CBCP: 6,919 cd	2ft - 606 fc Ø1.0 ft 4ft - 152 fc Ø2.0 ft 6ft - 67 fc Ø3.0 ft 8ft - 38 fc Ø4.0 ft 10ft - 24 fc Ø5.0 ft CBCP: 2,424 cd	2ft - 430 fc Ø1.3 ft 4ft - 108 fc Ø2.7 ft 6ft - 48 fc Ø4.0 ft 8ft - 27 fc Ø5.4 ft 10ft - 17 fc Ø6.7 ft CBCP: 1,722 cd

Note: Performance shown for individual lamp modules at 3000K. Output varies by CCT.

804S-2/J2S w/ FS/FLS/INS-LG/NL 2.75" APERTURE TRIM - PERFORMANCE SUMMARY

LED	OUTPUT	CCT	CRI	R9	Delivered Lumens	System Wattage	Delivered LPW
HI-27	1000	2700K	94	59	1676-1936	28	60-69
HI	1000	3000K	94	60	1802-2082	28	64-74
HI-2-27	1000	2700K	94	62	1942	29	67
HI-2	1000	3000K	94	63	2088	29	72
HI-3-27	350	2700K	97	96-98	1520-1766	30	52-60
HI-3	350	3000K	97	96-98	1634-1898	30	56-64
WD	350	3000-1800K	97	82	1454-1674	29	50-58
WD-2	350	2800-2200K	96	77	1456-1668	29	50-58
WD-4	350	3000-2200K	97	76	1538-1734	29	53-60
TW	700	4700-2200K	95	79	1606-2036	28	57-73

Performance summary for HI LED with 15°, 25°, and 40° optic options, HI-2 LED with 10° optic option, and HI-3 LED with 10°, 15°, 25°, and 40° optic options.
 Performance summary for WD and WD-4 LED at 3000K and WD-2 LED at 2800K with 15°, 25°, and 40° optic options.
 Performance summary for TW LED at 3000K with 15°, 25°, and 40° optic options.

804S-2/J2S w/ FR/FLR/INR-LG/NL 2.75" APERTURE TRIM - PERFORMANCE SUMMARY

LED	OUTPUT	CCT	CRI	R9	Delivered Lumens	System Wattage	Delivered LPW
HI-27	1000	2700K	94	59	1693-1951	28	60-70
HI	1000	3000K	94	60	1820-2098	28	65-75
HI-2-27	1000	2700K	94	62	1951	29	67
HI-2	1000	3000K	94	63	2098	29	72
HI-3-27	350	2700K	97	96-98	1532-1712	30	52-58
HI-3	350	3000K	97	96-98	1648-1840	30	56-62
WD	350	3000-1800K	97	81	1490-1724	29	51-59
WD-2	350	2800-2200K	97	77	1482-1698	29	51-59
WD-4	350	3000-2200K	97	76	1544-1736	29	53-60
TW	700	4700-2200K	95	79	1588-2068	28	57-74

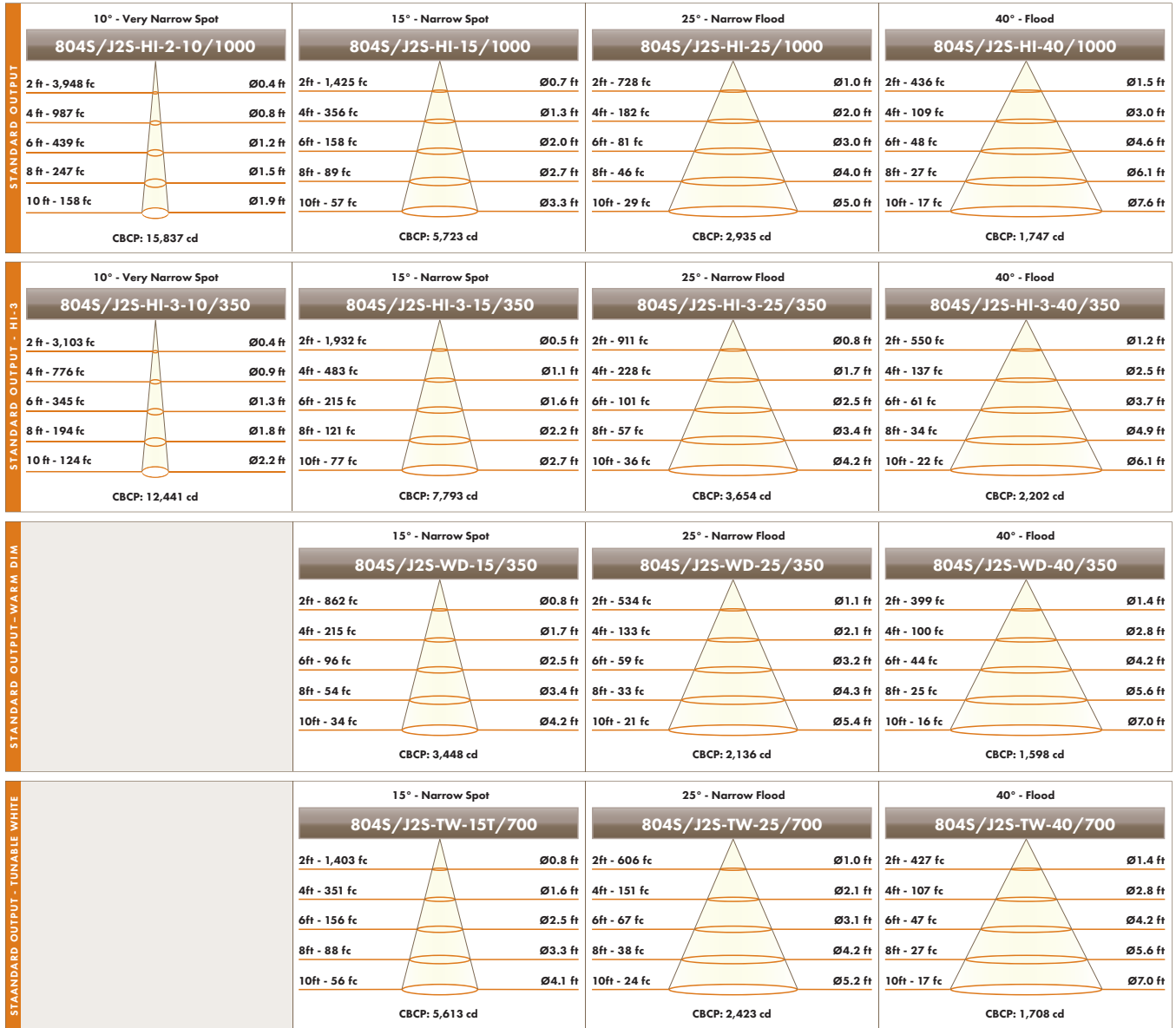
Performance summary for HI LED with 15°, 25°, and 40° optic options, HI-2 LED with 10° optic option, and HI-3 LED with 10°, 15°, 25°, and 40° optic options.
 Performance summary for WD and WD-4 LED at 3000K and WD-2 LED at 2800K with 15°, 25°, and 40° optic options.
 Performance summary for TW LED at 3000K with 15°, 25°, and 40° optic options.

804S/J2S w/ 2.75" APERTURE TRIM - OPTICAL OPTIONS AND ACCESSORY PERFORMANCE SUMMARY

OPTIC OPTIONS	LED OPTIONS	BEAM ENHANCING LENS (OPTIONAL)*				
		+ NSP	+ NFL	+ FL	+ WFL	+ LS
10° Very Narrow Spot	HI-2	14°	24°	43°	47°	13° x 39°
10° Very Narrow Spot	HI-3	14°	24°	48°	58°	14° x 51°
15° Narrow Spot	HI	21°	31°	54°	67°	22° x 48°
15° Narrow Spot	HI-3	17°	27°	51°	62°	17° x 51°
15° Narrow Spot	WD/WD-2/WD-4	24°	33°	54°	66°	26° x 48°
15° Narrow Spot	TW	23°	30°	48°	54°	27° x 34°
25° Narrow Flood	HI	29°	37°	57°	71°	30° x 55°
25° Narrow Flood	HI-3	24°	32°	55°	65°	25° x 60°
25° Narrow Flood	WD/WD-2/WD-4	31°	38°	58°	70°	70° x 71°
25° Narrow Flood	TW	30°	37°	57°	69°	31° x 53°
40° Flood	HI	42°	45°	46°	80°	41° x 63°
40° Flood	HI-3	34°	35°	62°	71°	34° x 65°
40° Flood	WD/WD-2/WD-4	39°	44°	64°	77°	76° x 77°
40° Flood	TW	38°	43°	63°	76°	37° x 61°

*Beam enhancing lens used in combination with 10°, 15°, 25°, or 40° optic to achieve desired beam spread.

804S/J2S w/ FS/FLS/INS-LG/NL 2.75" APERTURE TRIM - CONE OF LIGHT DIAGRAMS



Note: Performance shown for individual lamp modules at 3000K. Output varies by CCT.

804S-2/K2S w/ FS/FLS/INS 1.75" APERTURE TRIM - PERFORMANCE SUMMARY

LED	OUTPUT	CCT	CRI	R9	Delivered Lumens	System Wattage	Delivered LPW
HI-27	1000	2700K	94	59	1707-1985	28	61-71
HI	1000	3000K	94	60	1836-2134	28	66-76
HI-2-27	1000	2700K	94	62	2050	29	71
HI-2	1000	3000K	94	63	2204	29	76
WD	350	3000-1800K	97	81	1480-1742	29	51-60
WD-2	350	2800-2200K	97	78	1478-1722	29	51-59
WD-4	350	3000-2200K	97	76	1576-1832	29	54-63

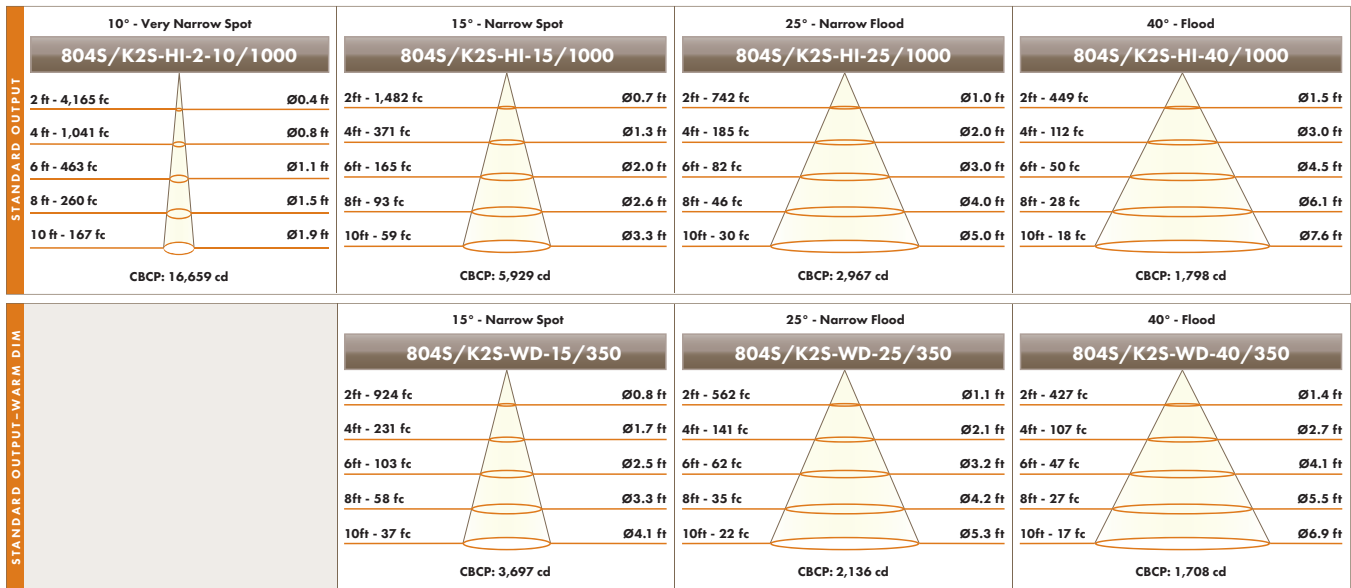
Performance summary for HI LED with 15°, 25°, and 40° optic options and HI-2 LED with 10° optic option.
Performance summary for WD and WD-4 LED at 3000K and WD-2 LED at 2800K with 15°, 25°, and 40° optic options.

804S-2/K2S w/ FR/FLR/INR 1.75" APERTURE TRIM - PERFORMANCE SUMMARY

LED	OUTPUT	CCT	CRI	R9	Delivered Lumens	System Wattage	Delivered LPW
HI-27	1000	2700K	94	59	1707-1985	28	61-71
HI	1000	3000K	94	60	1836-2134	28	66-76
HI-2-27	1000	2700K	94	62	2030	29	70
HI-2	1000	3000K	94	63	2182	29	75
WD	350	3000-1800K	97	81	1514-1784	29	52-62
WD-2	350	2800-2200K	97	78	1486-1754	29	51-60
WD-4	350	3000-2200K	97	76	1550-1778	29	53-61

Performance summary for HI LED with 15°, 25°, and 40° optic options and HI-2 LED with 10° optic option.
Performance summary for WD and WD-4 LED at 3000K and WD-2 LED at 2800K with 15°, 25°, and 40° optic options.

804S/K2S w/ FS/FLS/INS 1.75" APERTURE TRIM - CONE OF LIGHT DIAGRAMS



Note: Performance shown for individual lamp modules at 3000K. Output varies by CCT.

804S-2/K2S w/ FS/FLS/INS-LG/NL 2.75" APERTURE TRIM - PERFORMANCE SUMMARY

LED	OUTPUT	CCT	CRI	R9	Delivered Lumens	System Wattage	Delivered LPW
HI-27	1000	2700K	94	59	1849-2083	28	66-74
HI	1000	3000K	94	60	1988-2240	28	71-80
HI-2-27	1000	2700K	94	62	2100	29	72
HI-2	1000	3000K	94	63	2258	29	78
WD	350	3000-1800K	97	81	1642-1846	29	57-64
WD-2	350	2800-2200K	97	78	1638-1830	29	56-63
WD-4	350	3000-2200K	97	76	1722-1928	29	59-66

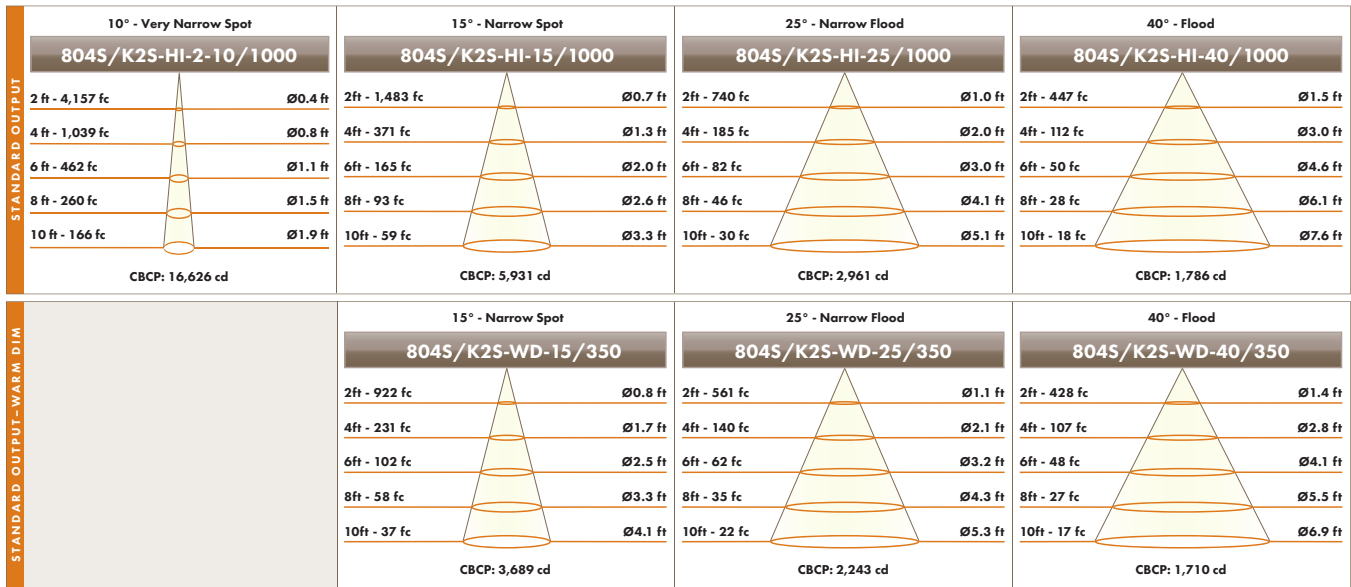
Performance summary for HI LED with 15°, 25°, and 40° optic options and HI-2 LED with 10° optic option.
 Performance summary for WD and WD-4 LED at 3000K and WD-2 LED at 2800K with 15°, 25°, and 40° optic options.

804S-2/K2S w/ FR/FLR/INR-LG/NL 2.75" APERTURE TRIM - PERFORMANCE SUMMARY

LED	OUTPUT	CCT	CRI	R9	Delivered Lumens	System Wattage	Delivered LPW
HI-27	1000	2700K	94	59	1851-2104	28	66-75
HI	1000	3000K	94	60	1990-2262	28	71-81
HI-2-27	1000	2700K	94	62	2078	29	72
HI-2	1000	3000K	94	63	2234	29	77
WD	350	3000-1800K	97	81	1706-1914	29	59-66
WD-2	350	2800-2200K	97	78	1676-1864	29	58-64
WD-4	350	3000-2200K	97	76	1726-1906	29	59-66

Performance summary for HI LED with 15°, 25°, and 40° optic options and HI-2 LED with 10° optic option.
 Performance summary for WD and WD-4 LED at 3000K and WD-2 LED at 2800K with 15°, 25°, and 40° optic options.

804S/K2S w/ FS/FLS/INS-LG/NL 2.75" APERTURE TRIM - CONE OF LIGHT DIAGRAMS



Note: Performance shown for individual lamp modules at 3000K. Output varies by CCT.

804S-2/J2S w/ FS/FLS-WW-8 1.75" APERTURE TRIM - PERFORMANCE SUMMARY

LED	OUTPUT	OPTIC OPTION	CCT	CRI	R9	Delivered Lumens	System Wattage	Delivered LPW
HI-27	1000	40	2700K	94	57	1233	28	44
HI	1000	40	3000K	94	58	1326	28	47
HI-2-27	1000	10-FL	2700K	94	61	941	29	32
HI-2	1000	10-FL	3000K	94	62	1012	29	35
HI-3-27	350	40	2700K	97	98	1128	30	38
HI-3	350	40	3000K	97	98	1212	30	41
WD	350	40	3000-1800K	97	83	1064	29	37
WD-2	350	40	2800-2200K	97	78	1056	29	36
WD-4	350	40	3000-2200K	97	76	1110	29	38
TW	700	40	4700-2200K	96	80	1136	28	41

Performance summary for TW, WD, and WD-4 LED at 3000K and WD-2 LED at 2800K.

804S/J2S-HI-40/1000 w/ FS/FLS TRIM + WW-8 WALL WASH ACCESSORY – FOOTCANDLES ON WALL

DISTANCE TO WALL		2.0 ft						2.5 ft						
		ON CENTER SPACING			2.0 ft			2.5 ft		2.5 ft			3.0 ft	
	DISTANCE FROM CEILING	0.5 ft	1.0	1.1	1.0	0.9	0.8	0.9	0.3	0.3	0.3	0.3	0.2	0.3
		1.5 ft	27.3	31.0	27.3	25.1	25.0	25.1	13.4	14.8	13.4	12.6	12.1	12.6
		2.5 ft	28.0	32.6	28.0	25.2	28.8	25.2	19.6	22.8	19.6	18.1	20.0	18.1
		3.5 ft	18.4	20.8	18.4	16.7	19.3	16.7	16.1	18.7	16.1	14.8	17.2	14.8
		4.5 ft	11.3	12.4	11.3	10.5	11.8	10.5	11.2	12.7	11.2	10.4	12.0	10.4
		5.5 ft	7.1	7.6	7.1	6.7	7.3	6.7	7.6	8.4	7.6	7.1	8.0	7.1
		6.5 ft	4.6	4.9	4.6	4.4	4.8	4.4	5.2	5.6	5.2	4.9	5.4	4.9
		7.5 ft	3.1	3.3	3.1	3.0	3.2	3.0	3.6	3.9	3.6	3.5	3.8	3.5
		8.5 ft	2.2	2.3	2.2	2.2	2.3	2.2	2.6	2.8	2.6	2.5	2.7	2.5
9.5 ft	1.6	1.7	1.6	1.6	1.6	1.6	1.9	2.0	1.9	1.9	2.0	1.9		

Note: With HI LED option, use 40° optic and 20° aiming angle for optimal performance. Data shown for individual lamp modules at 3000K CCT. Output varies by CCT.

804S/J2S-WD-40/350 w/ FS/FLS TRIM + WW-8 WALL WASH ACCESSORY – FOOTCANDLES ON WALL

DISTANCE TO WALL		2.0 ft						2.5 ft						
		ON CENTER SPACING			2.0 ft			2.5 ft		2.5 ft			3.0 ft	
	DISTANCE FROM CEILING	0.5 ft	1.1	1.4	1.1	1.0	0.9	1.0	0.3	0.4	0.3	0.3	0.3	0.3
		1.5 ft	21.8	25.5	21.8	19.8	20.3	19.8	10.5	12.0	10.5	9.7	9.8	9.7
		2.5 ft	23.8	28.4	23.8	21.2	24.9	21.2	16.3	19.5	16.3	14.9	17.0	14.9
		3.5 ft	16.0	18.2	16.0	14.4	16.9	14.4	13.8	16.3	13.8	12.6	14.9	12.6
		4.5 ft	9.8	10.8	9.8	9.1	10.3	9.1	11.1	11.1	11.1	9.0	10.5	9.0
		5.5 ft	6.2	6.6	6.2	5.8	6.4	5.8	7.3	7.3	7.3	6.2	7.0	6.2
		6.5 ft	4.0	4.2	4.0	3.8	4.1	3.8	4.9	4.9	4.9	4.3	4.7	4.3
		7.5 ft	2.7	2.8	2.7	2.7	2.8	2.7	3.4	3.4	3.4	3.0	3.3	3.0
		8.5 ft	1.9	2.0	1.9	1.9	2.0	1.9	2.4	2.4	2.4	2.2	2.4	2.2
9.5 ft	1.4	1.4	1.4	1.4	1.4	1.4	1.7	1.8	1.7	1.6	1.7	1.6		

Note: With WD, WD-2, or WD-4 LED option, use 40° optic and 20° aiming angle for optimal performance. Data shown for individual lamp modules at 3000K CCT. Output varies by CCT.

804S-2/J2S w/ FR/FLR-WW-8 1.75" APERTURE TRIM - PERFORMANCE SUMMARY

LED	OUTPUT	OPTIC OPTION	CCT	CRI	R9	Delivered Lumens	System Wattage	Delivered LPW
HI-27	1000	40	2700K	94	57	1090	28	39
HI	1000	40	3000K	94	58	1172	28	42
HI-2-27	1000	10-FL	2700K	94	61	841	29	29
HI-2	1000	10-FL	3000K	94	62	904	29	31
HI-3-27	350	40	2700K	97	98	1026	30	35
HI-3	350	40	3000K	97	98	1104	30	38
WD	350	40	3000-1800K	97	82	958	29	33
WD-2	350	40	2800-2200K	97	78	960	29	33
WD-4	350	40	3000-2200K	97	78	1012	29	35
TW	700	40	4700-2200K	96	79	1044	28	37

Performance summary for TW, WD, and WD-4 LED at 3000K and WD-2 LED at 2800K.

804S/J2S-HI-40/1000 w/ FR/FLR TRIM + WW-8 WALL WASH ACCESSORY – FOOTCANDLES ON WALL

DISTANCE TO WALL		2.0 ft						2.5 ft						
ON CENTER SPACING			2.0 ft			2.5 ft		2.5 ft			3.0 ft			
	DISTANCE FROM CEILING	0.5 ft	0.8	0.8	0.8	0.8	0.5	0.8	0.2	0.2	0.2	0.2	0.2	0.2
	1.5 ft	25.1	29.1	25.1	22.8	23.2	22.8	12.1	13.6	12.1	11.3	10.9	11.3	
	2.5 ft	26.4	31.0	26.4	23.7	27.1	23.7	18.2	21.4	18.2	16.7	18.7	16.7	
	3.5 ft	17.7	20.2	17.7	16.0	18.7	16.0	15.3	17.9	15.3	14.0	16.3	14.0	
	4.5 ft	10.9	12.0	10.9	10.1	11.4	10.1	10.8	12.3	10.8	10.0	11.6	10.0	
	5.5 ft	6.8	7.3	6.8	6.4	7.1	6.4	7.3	8.1	7.3	6.9	7.8	6.9	
	6.5 ft	4.4	4.7	4.4	4.2	4.6	4.2	5.0	5.4	5.0	4.7	5.2	4.7	
	7.5 ft	3.0	3.1	3.0	2.9	3.1	2.9	3.5	3.7	3.5	3.3	3.6	3.3	
	8.5 ft	2.1	2.2	2.1	2.0	2.1	2.0	2.5	2.6	2.5	2.4	2.6	2.4	
9.5 ft	1.5	1.6	1.5	1.5	1.5	1.5	1.8	1.9	1.8	1.8	1.9	1.8		

Note: With HI LED option, use 40° optic and 20° aiming angle for optimal performance. Data shown for individual lamp modules at 3000K CCT. Output varies by CCT.

804S/J2S-WD-40/350 w/ FR/FLR TRIM + WW-8 WALL WASH ACCESSORY – FOOTCANDLES ON WALL

DISTANCE TO WALL		2.0 ft						2.5 ft						
ON CENTER SPACING			2.0 ft			2.5 ft		2.5 ft			3.0 ft			
	DISTANCE FROM CEILING	0.5 ft	1.1	1.0	1.1	1.0	0.7	1.0	0.4	0.3	0.4	0.3	0.2	0.3
	1.5 ft	19.3	21.6	19.3	17.5	17.5	17.5	9.1	10.0	9.1	8.5	8.1	8.5	
	2.5 ft	22.1	25.3	22.1	19.7	22.3	19.7	14.8	16.8	14.8	13.5	14.6	13.5	
	3.5 ft	15.3	17.1	15.3	13.7	16.0	13.7	13.0	14.8	13.0	11.8	13.5	11.8	
	4.5 ft	9.5	10.3	9.5	8.7	9.9	8.7	9.3	10.4	9.3	8.6	9.9	8.6	
	5.5 ft	6.0	6.4	6.0	5.6	6.2	5.6	6.4	7.0	6.4	6.0	6.7	6.0	
	6.5 ft	3.9	4.1	3.9	3.7	4.0	3.7	4.4	4.7	4.4	4.2	4.6	4.2	
	7.5 ft	2.6	2.7	2.6	2.5	2.7	2.5	3.1	3.2	3.1	2.9	3.2	2.9	
	8.5 ft	1.9	1.9	1.9	1.8	1.9	1.8	2.2	2.3	2.2	2.1	2.3	2.1	
9.5 ft	1.3	1.4	1.3	1.3	1.4	1.3	1.6	1.7	1.6	1.6	1.7	1.6		

Note: With WD, WD-2, or WD-4 LED option, use 40° optic and 20° aiming angle for optimal performance. Data shown for individual lamp modules at 3000K CCT. Output varies by CCT.