

TRIM: **FR-P** -SEAMLESS SERIES™ /ROUND

1 3/4" APERTURE FOR PLASTER/SHEETROCK CEILING APPLICATIONS

Project Name	
Date	Type
Prepared By	
Comments	
Catalog # FR - P - - /	



N^o
eight
LIGHTING

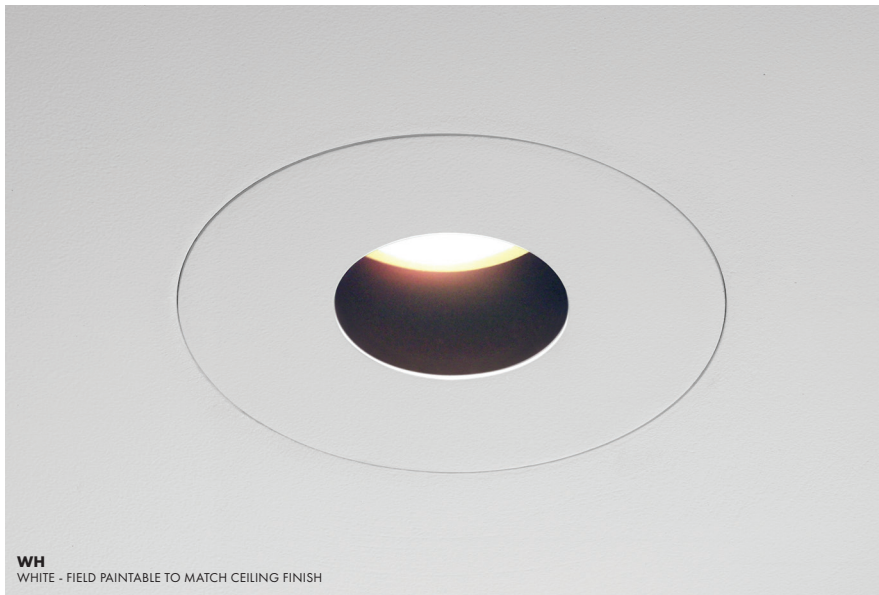
526 Portal Street
Cotati, CA 94931
USA
P 707.794.0888
www.8lighting.com

All No. 8 Lighting 800 Series trims are UL/CSA listed and CE Certified. No. 8 Lighting trims and lamp modules are protected by one or more U.S. Patents. No. 8 Lighting reserves the right to change details of design, materials, and finish.

© 2025 No. 8 Lighting
Doc # 91302-13.2



PRODUCT FEATURES



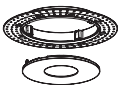
Trim Assembly

- **FR-P** trim designed for flush installation into sheetrock ceilings with painted or integral color drywall compound/plaster finishes.
- 4" trim plate with minimal 1 3/4" aperture installs flush to finish ceiling.
- Works with all **800 Series** lamp modules and housings.
- Available in two thicknesses to accommodate different ceiling finishing systems. Specify **P-1** for standard 5/32" thick finishes and **P-2** for 5/16" thick finishes.
- Field adjustable to accommodate sheetrock thicknesses between 1/2" - 1".
- Die-cast from Zinc alloy for maximum strength, stability, and corrosion resistance.
- Unique magnetic trim plate is removable without marring finishes.
- Available factory installed trim lens options are UL WET LISTED and IP54 Rated for use in DRY, DAMP, or WET locations (covered ceiling applications only). Approved for use in residential steam applications. Not for use in commercial steam applications.
- Available in many designer finishes including: **WH** - White (Field paintable to match ceiling), **PW** - Pewter, **SN** - Satin Nickel, **OB** - Oil-Rubbed Bronze, and **BK** - Black. Note: Lot variations in specialty finishes may occur. Ordering ALL trim kits at the same time is recommended.

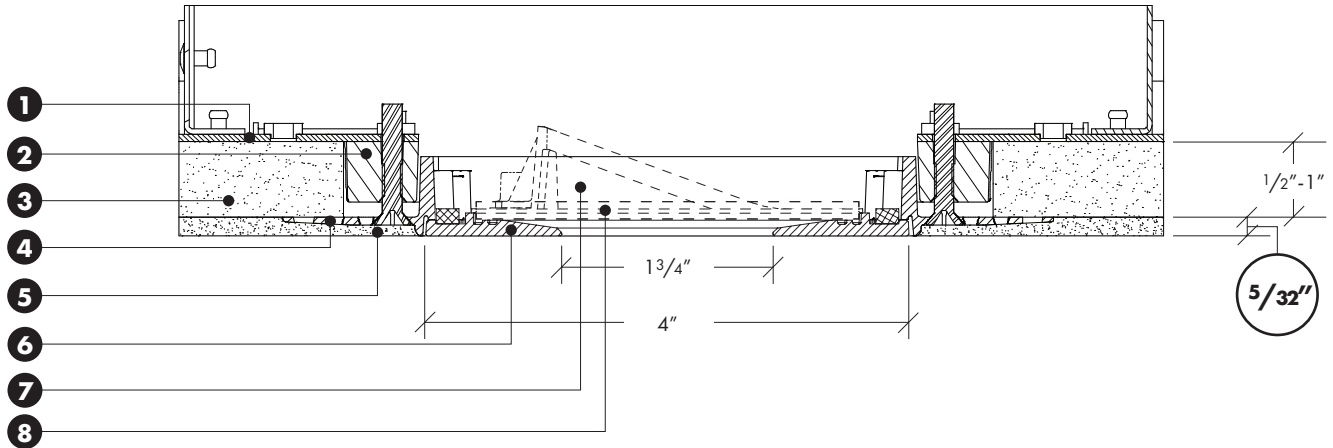
Warranty

All No. 8 Lighting products are covered by a 5 year limited warranty. Products installed in residential steam applications are covered by a 2 year limited warranty. For specific warranty details and limitations, see 8lighting.com/resources-downloads.

PRODUCT SPECIFIER/PRODUCT ORDER NUMBER

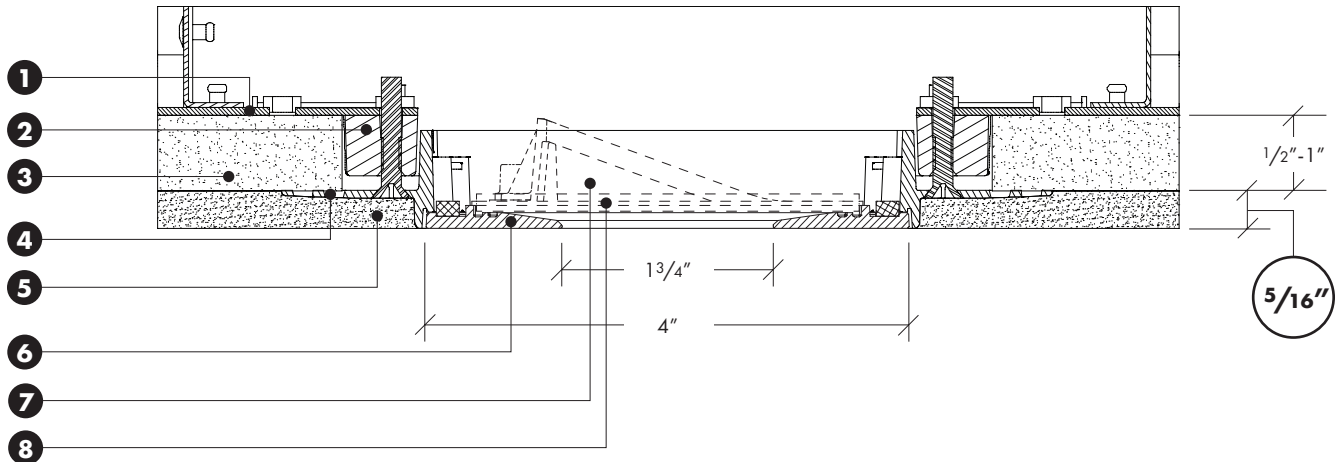
FR	-	P	-		-		/	
TRIM ASSEMBLY	+	TRIM APPLICATION	+	FINISH THICKNESS	+	TRIM FINISH	/	TRIM ACCESSORIES (OPTIONAL)
 <p>FR ROUND flangeless trim 4" ROUND trim plate w/ 1 3/4" aperture installs flush with finished ceiling</p>		<p>P PLASTER/SHEETROCK ceiling applications (1/2" minimum - 1" maxi- mum sheetrock thickness).</p>		<p>1 For 5/32" thick drywall compound or plaster finishes</p> <p>2 For 5/16" thick drywall compound or plaster finishes</p>		<p>WH WHITE - Field paintable to match ceiling finish</p> <p>PW PEWTER*</p> <p>SN SATIN NICKEL*</p> <p>OB OIL-RUBBED BRONZE*</p> <p>BK BLACK</p> <p>*Specialty finish.</p>		<p>CL CLEAR accessory lens installed in trim plate*</p> <p>SF SOFT FOCUS accessory lens installed in trim plate*</p> <p>WW-8 WALL WASH accessory lens installed in trim plate* (for use with lamp modules J2, J2S, J5, + W5)</p> <p>*UL Wet listed and IP54 Rated</p>

TYPE **P1** – TRIM ASSEMBLY CROSS SECTION DETAIL – FOR 5/32" CEILING FINISH



- 1) **Housing**
- 2) **Frame** – May be installed before or after sheetrock.
- 3) **Sheetrock** – Accommodates all thickness from 1/2" to 1".
- 4) **Flush Mud Ring** (Type **P1** for 5/32" ceiling finish) – Sandwiches against ceiling material.
- 5) **Ceiling Finish** (drywall compound or plaster) 5/32".
- 6) **Trim Plate** – Features unique magnetic attachments. Mounts flush to finished ceiling.
- 7) **WW-8 Wall Wash Accessory Lens** (optional) – For use with **J**, **J2S**, **J5**, or **W5** lamp modules. Factory installed into trim plate. UL WET LISTED and IP54 Rated for use in DRY, DAMP, or WET locations (covered ceiling applications only). Approved for use in residential steam applications. Not for use in commercial steam applications.
- 8) **Clear/Soft Focus Accessory Lens** (optional) – Factory installed into trim plate. UL WET LISTED and IP54 Rated for use in DRY, DAMP, or WET locations (covered ceiling applications only). Approved for use in residential steam applications. Not for use in commercial steam applications.

TYPE **P2** – TRIM ASSEMBLY CROSS SECTION DETAIL – FOR 5/16" CEILING FINISH



- 1) **Housing**
- 2) **Frame** – May be installed before or after sheetrock.
- 3) **Sheetrock** – Accommodates all thickness from 1/2" to 1".
- 4) **Flush Mud Ring** (Type **P2** for 5/16" ceiling finish) – Sandwiches against ceiling material.
- 5) **Ceiling Finish** (drywall compound or plaster) 5/16".
- 6) **Trim Plate** – Features unique magnetic attachments. Mounts flush to finished ceiling.
- 7) **WW-8 Wall Wash Accessory Lens** (optional) – For use with **J**, **J2S**, **J5**, or **W5** lamp modules. Factory installed into trim plate. UL WET LISTED and IP54 Rated for use in DRY, DAMP, or WET locations (covered ceiling applications only). Approved for use in residential steam applications. Not for use in commercial steam applications.
- 8) **Clear/Soft Focus Accessory Lens** (optional) – Factory installed into trim plate. UL WET LISTED and IP54 Rated for use in DRY, DAMP, or WET locations (covered ceiling applications only). Approved for use in residential steam applications. Not for use in commercial steam applications.

Note: Cross sections are for illustration purposes only. Refer to **800 Series** trim instructions **92005** for complete installation details.