



MPT2 SERIES
MPT2 MONOPOINT
INTEGRAL POWER SUPPLY
INSTALLATION INSTRUCTIONS



SCAN QR CODE FOR INSTRUCTIONS

WARNING: Read and understand these instructions completely before installation. To be installed by qualified electricians only. Products should be installed in accordance with these instructions, local electrical codes, and the National Electric Code (NEC). These products may represent a possible shock or fire hazard if improperly installed.

CAUTION: Disconnect power at circuit breaker or fuse panel before installation or servicing. Always allow LED assembly to cool before servicing. Do not connect or disconnect LED lamp module wire connector when fixture is energized as this may result in permanent damage to the LED. Do not install where insulation or ambient temperatures will exceed maximum values noted in product specifications. See www.8lighting.com for current product specifications.

NOTE: Number Eight Lighting fixtures are designed to meet the latest NEC requirements and are listed in full compliance with UL standards. Before attempting installation, check your local electrical code which sets the wiring standards and installation requirements for your locality and should be understood before starting work.

SAVE THESE INSTRUCTIONS.

TABLE OF CONTENTS

	PAGE
INSTALLATION INSTRUCTIONS-MPT2-4R/S.....	1
WIRING INSTRUCTIONS - INTEGRAL POWER SUPPLY.....	2

INSTALLATION INSTRUCTIONS - MPT2-4R/S

For Integral Power Supply Options with 4" Backplate

IMPORTANT:

- Installation must be by a qualified electrician only.
- Verify correct dimming system, LED type, power supply type and input supply requirements.
- Always allow LED assembly to cool before servicing.
- Do not install where insulation or ambient temperature will exceed maximum values noted in product specifications.
- See www.8lighting.com for current product specifications.

MPT2-R/S Install and Adjust

Step 1 Determine Power Supply type and junction box requirements - **FIG 1.1**.

Step 2 After junction box installation, wire according to wiring instructions shown on proceeding pages.

Step 3 After ceiling or wall installation and wiring is complete, install Mounting Bracket to mud ring. Locate In-line Power Connector and connect Fixture to Power Supply. Position Fixture Backplate as desired and tighten set screw in Backplate - **FIG 1.4**.

Step 4 (Adjustment) Remove Housing from Heat Sink as shown & remove Accessory Ring to remove or install accessories. Loosen set screws slightly (DO NOT remove) with Hex Keys provided to adjust head tilt or rotation as shown. Lock position by tightening set screws - **FIG 1.2 & 1.3**

IMPORTANT: 4" x 3-1/2" deep junction box with 4" Round x 1/2"(min) deep mud-ring required for **INTEGRAL** Power Supply.

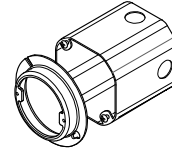


FIG 1.1 Junction Box Type Required

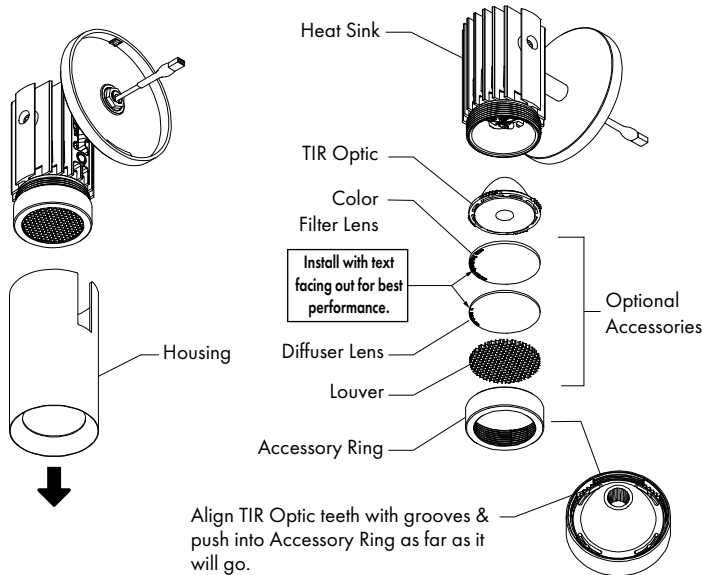


FIG 1.2 Lens Assembly & Accessories

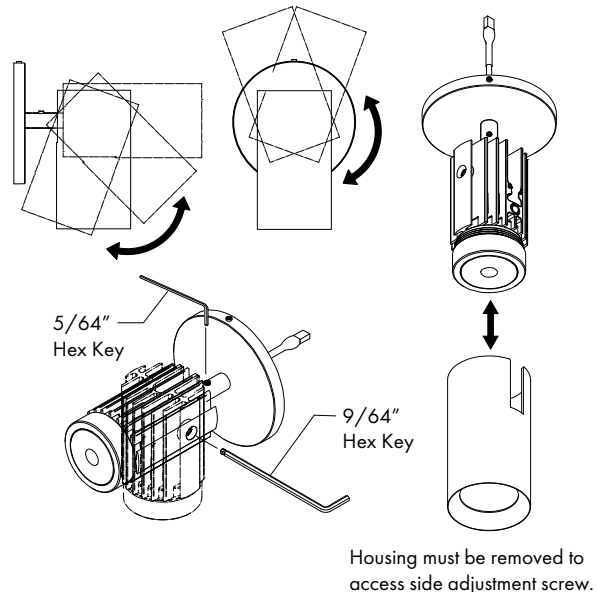


FIG 1.3 Fixture Adjustment

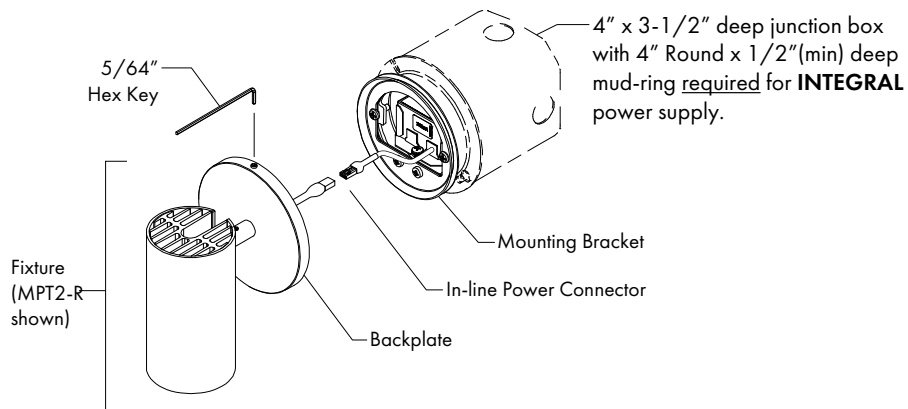


FIG 1.4 Lens Assembly & Accessories

WIRING INSTRUCTIONS

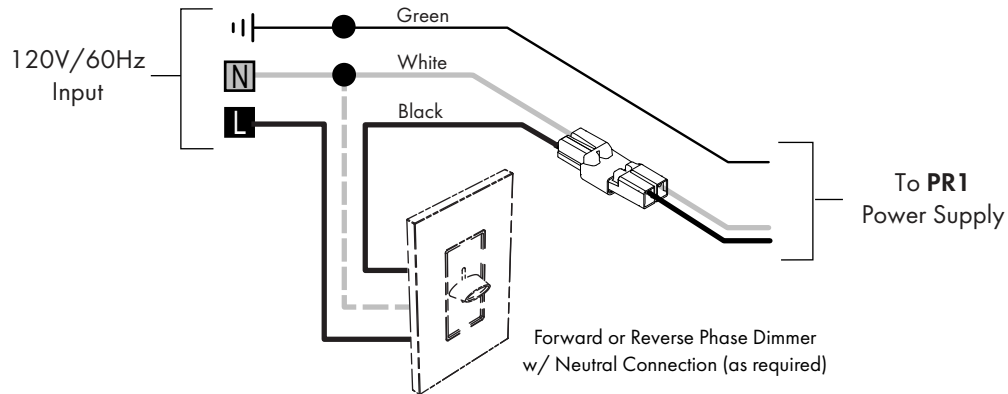
For PR1-M-1000/1000-WD/1400 Integral Power Supply Options

STEP 1 Verify correct power supply model (see label on cover plate), LED type (see label on fixture) and input requirements (see label on driver) - **FIG 2.2**.

STEP 2 Connect supply & ground wires following Wiring Diagram - **FIG 2.1**.

STEP 3 Push all wires & connections completely inside junction box - **FIG 2.2**.

PR1-M-1000/1000-WD/1400 - INTEGRAL PHASE CONTROL



Phase Control Notes:

PR1 drivers are Forward Phase Dimmable only.

for compatible dimmers for use with PR1 drivers, refer to www.8lighting.com/resources-downloads.

FIG 2.1 Wiring Diagram

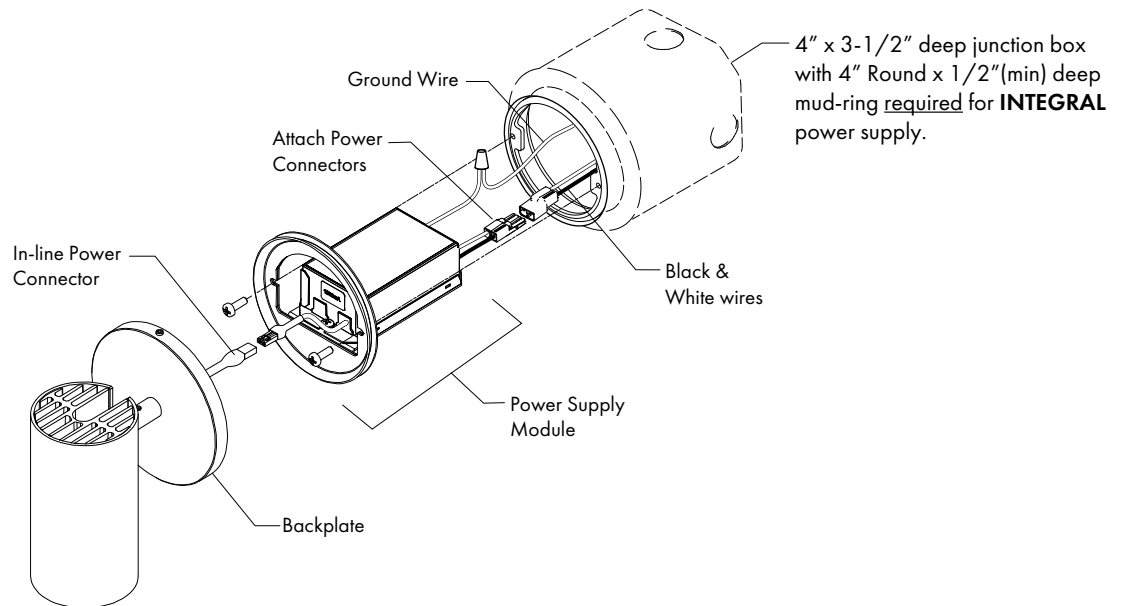


FIG 2.2 Wire & Install Integral Power Supply



www.8lighting.com

Number Eight Lighting Company

526 Portal Street, Cotati, CA 94931

Phone (707) 794-0888 • Email customerservice@8lighting.com