



**400 SERIES  
400-R-RT REMODEL  
REMOTE POWER SUPPLY  
INSTALLATION INSTRUCTIONS**



SCAN QR CODE FOR INSTRUCTIONS

**WARNING:** Read and understand these instructions completely before installation. Disconnect power at circuit breaker or fuse panel before installation. Always allow LED assembly to cool before servicing. To be installed by qualified electricians only. Products should be installed in accordance with these instructions, local electrical codes, and the National Electric Code (NEC). These products may represent a possible shock or fire hazard if improperly installed.

Do not install where insulation or ambient temperatures will exceed maximum values noted in product specifications. See [www.8lighting.com](http://www.8lighting.com) for current product specifications.

**NOTE:** Number Eight Lighting fixtures are designed to meet the latest NEC requirements and are listed in full compliance with UL standards. Before attempting installation check and understand your local electrical code which sets the wiring standards and installation requirements for your locality.

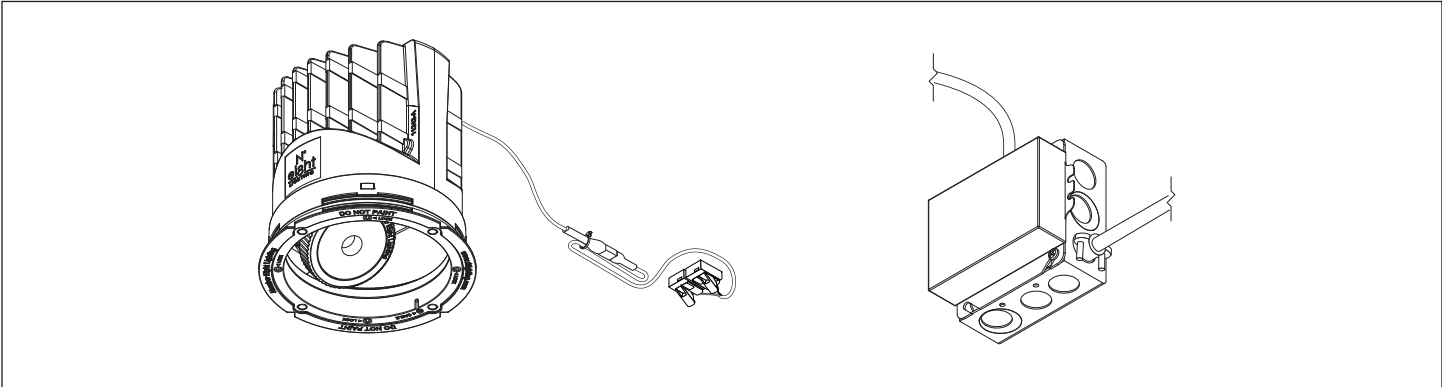
**Save these instructions.**

## TABLE OF CONTENTS

	PAGE
400-R-RT SERIES COMPONENTS.....	1
REMODEL-REMOTE INSTALLATION – <b>FLANGED</b> TRIMS.....	2-3
REMODEL-REMOTE INSTALLATION – <b>FLANGELESS</b> TRIMS.....	4-6
AIMING AND ADJUSTMENT.....	7
<b>WW-4</b> WALL WASH TRIM PLATE ADJUSTMENT and INSTALLATION.....	8
TRIM PLATE FINISHING AND INSTALLATION.....	9
WIRING INSTRUCTIONS.....	10-13

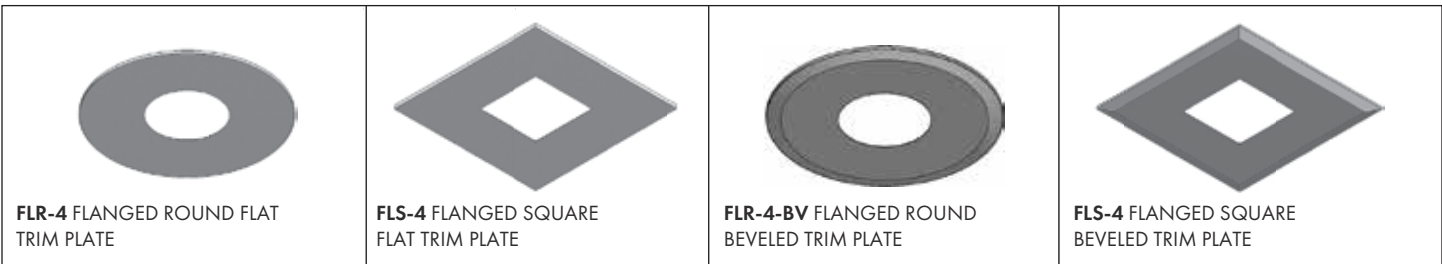
# 400-R-RT SERIES COMPONENTS

AIR-TIGHT + I.C. RATED HOUSING

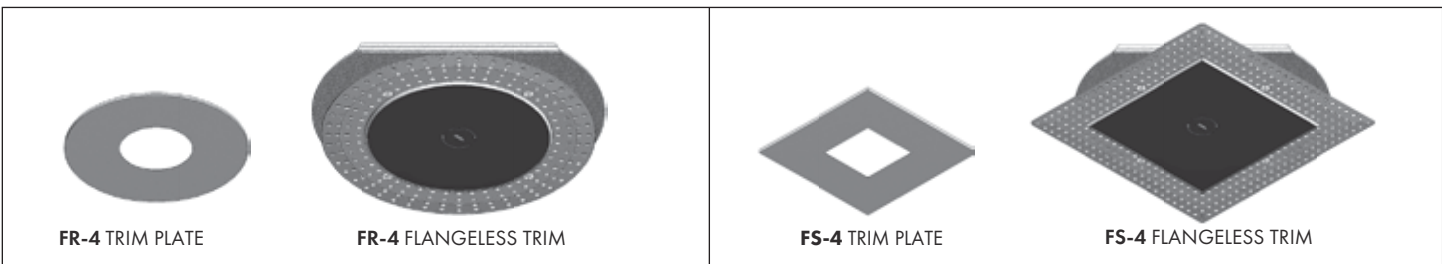


400-R-RT LED REMODEL HOUSING + LIGHT ENGINE + REMOTE POWER SUPPLY

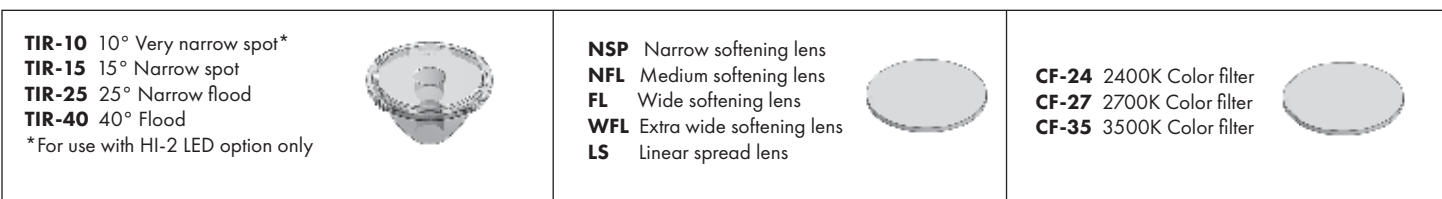
## 400 SERIES – FLANGED TRIMS



## 400 SERIES - FLANGELESS

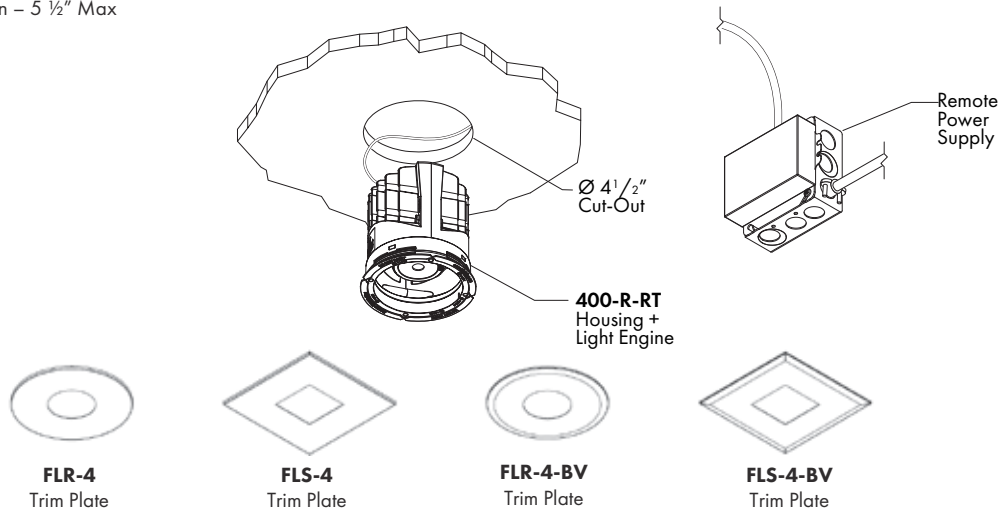


## 400 SERIES – OPTIC OPTIONS + ACCESSORIES



## REMODEL – REMOTE INSTALLATION – FLANGED TRIMS

**CEILING TYPES:** Sheetrock, Wood, & Stone  
**CEILING THICKNESS:** ½" Min – 5 ½" Max  
**CUT-OUT:** Ø 4 ½"



**CAUTION:** Cut-out must be within  $\pm 1/32"$ . Ceiling material must be rigid and able to support weight of fixture (approximately 5lbs.). Not for use with acoustic tile or non-rigid ceiling materials.

### STEP 1 – ROUGH WIRING

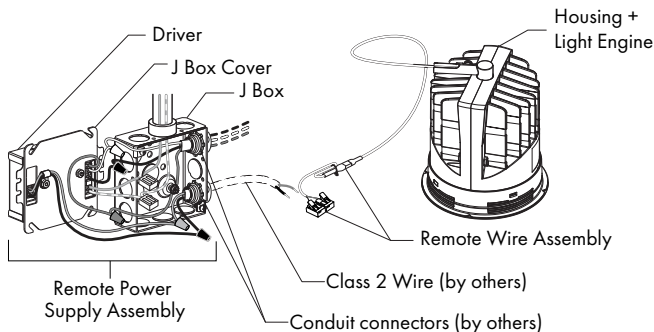
- 1a. Disconnect power at circuit breaker.
  - 1b. Review wiring instructions on **Pages 10-13**, wire accordingly.
  - 1c. Install wiring to fixture location leaving a 12" to 18" flexible whip to facilitate installation/servicing.
- Note:** 0-10V, DALI and EcoSystem Dimming Options (if specified) require additional control wiring.

### STEP 2 – CEILING CUT-OUT AND INSTALLATION

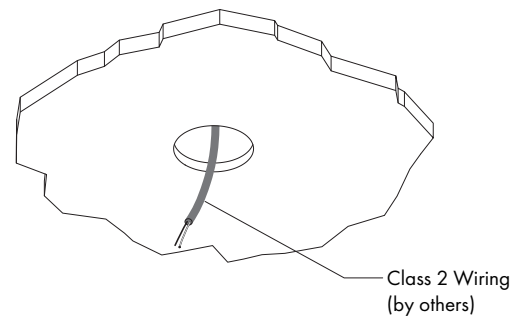
- 2a. Ensure location of fixture will be a minimum of ½" from edge of cut-out to nearest framing member and there will be sufficient space for installation of power supply assembly.
  - 2b. (Skip this step if installing into existing ceiling)  
Install ceiling material over rough wiring.
- Note:** Rough wiring will be accessible after making ceiling cut-out. Certain local electrical codes may require rough wiring to be installed in temporary junction box (not supplied) prior to installing ceiling.
- 2c. For sheetrock ceilings - apply all coats of finish and primer coating before making cut-out.
  - 2d. Make Ø 4 ½" cut-out using appropriate hole saw.

### STEP 3 – REMOTE POWER SUPPLY CLASS 2 WIRING

- 3a. Remove box cover on power supply assembly, install appropriate conduit connector (not supplied) & connect driver to class 2 wire. Place all wiring connectors back in junction box and replace cover.



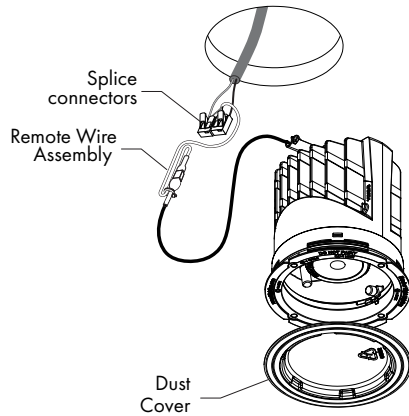
- 3b. Route class 2 wiring from remote power supply to fixture location and pull through ceiling cut-out ensuring a minimum of 6" of wire extends below the ceiling.



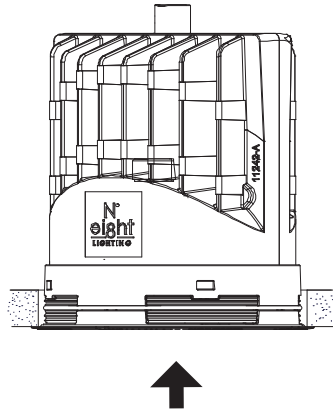
# REMODEL – REMOTE INSTALLATION – FLANGED TRIMS

## STEP 4 – HOUSING + LIGHT ENGINE WIRING AND INSTALLATION

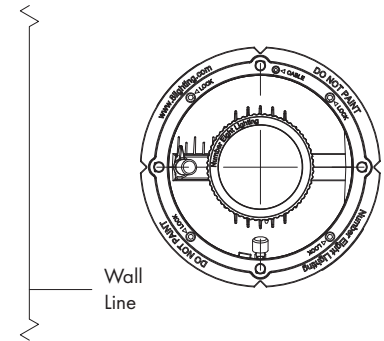
**4a.** Support Housing + light engine and attach remote wire assembly to Class 2 wiring. Remove dust cover temporarily and save.



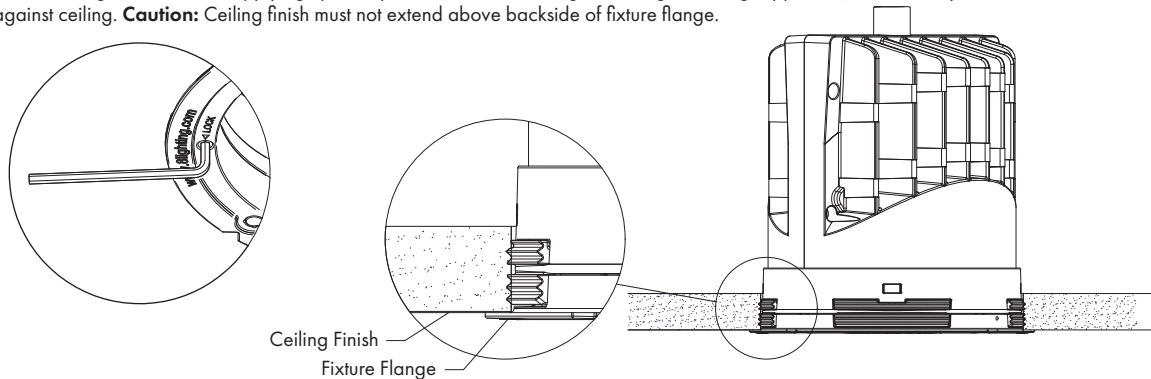
**4b.** Install housing into cut-out.



**4c.** Rotate housing flange so notches are aligned with adjacent walls or fixtures.

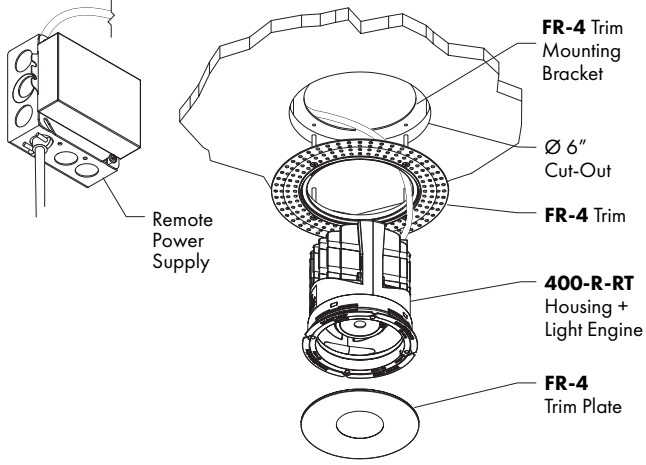
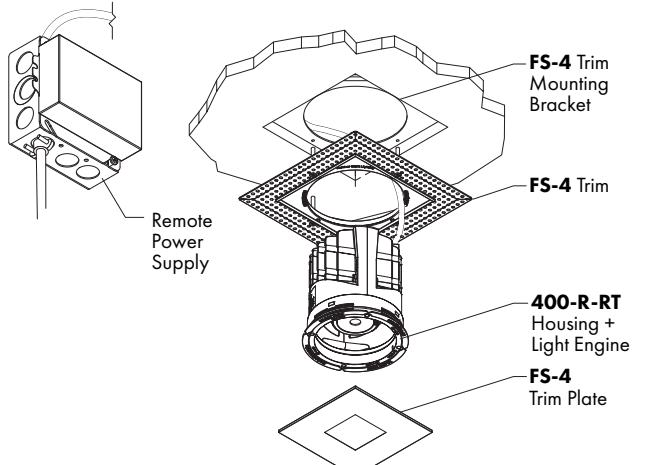


**4d.** Locate (4) four locking screws. While applying upward pressure on fixture flange, hand tighten using supplied 3/32" hex-key. Ensure fixture flange is tight against ceiling. **Caution:** Ceiling finish must not extend above backside of fixture flange.



**4e.** Re-install temporary dust cover until after ceiling has been completely finished.

# REMODEL – REMOTE INSTALLATION – FLANGELESS TRIMS

 <p><b>FR-4 Trim Mounting Bracket</b> Ø 6" Cut-Out <b>FR-4 Trim</b> <b>400-R-RT Housing + Light Engine</b> <b>FR-4 Trim Plate</b></p> <p>Remote Power Supply</p> <p><b>CEILING TYPES:</b> Sheetrock <b>CEILING THICKNESS:</b> ½" Min – 5 ½" Max* <b>CUT-OUT:</b> Ø 6" *For ceiling thicknesses over 1 ¼" use longer FHMS 8-32 screws (not supplied)</p>	 <p><b>FS-4 Trim Mounting Bracket</b> <b>FS-4 Trim</b> <b>400-R-RT Housing + Light Engine</b> <b>FS-4 Trim Plate</b></p> <p>Remote Power Supply</p> <p><b>CEILING TYPES:</b> Sheetrock <b>CEILING THICKNESS:</b> ½" Min – 5 ½" Max* <b>CUT-OUT:</b> 6" x 6" *For ceiling thicknesses over 1 ¼" use longer FHMS 8-32 screws (not supplied)</p>
---	---

**CAUTION:** Cut out must be within +/-1/16". Ceiling material must be rigid and able to support weight of fixture (approximately 5lbs.). Not for use with acoustic tile or non-rigid ceiling materials.

## STEP 1 – ROUGH WIRING

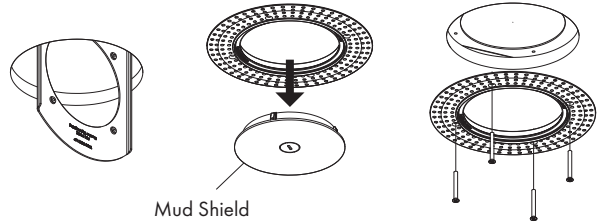
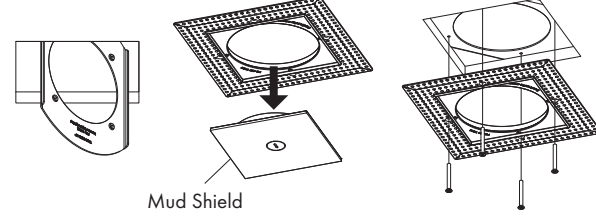
- 1a. Disconnect power at circuit breaker.
  - 1b. Review wiring instructions included on **Pages 10-13**, wire accordingly.
  - 1c. Install wiring to fixture location leaving a 12-18" flexible whip to facilitate installation/servicing.
- Note:** 0-10V, DALI and EcoSystem Dimming Options (if specified) require additional control wiring.

## STEP 2 – CEILING CUT-OUT AND INSTALLATION

- 2a. Ensure location of fixture will be a minimum of ½" from edge of cut-out to nearest framing member and there will be sufficient space for installation of power supply assembly.
  - 2b. (Skip this step if installing into existing ceiling)  
Install ceiling material over rough wiring.
- Note:** Rough wiring will be accessible after making ceiling cut-out. Certain local electrical codes may require rough wiring to be installed in temporary junction box (not supplied) prior to installing ceiling.
- 2c. Make Ø 6" cut-out for **FR-4** trim or 6" x 6" cut-out for **FS-4** trim.
- Note:** For **FS-4** trim, align cut-out with adjacent walls and fixtures.

## STEP 3 – FLANGELESS TRIM INSTALLATION

- 3a. Install ceiling bracket through cut-out. Remove mud shield and save. Install trim using four screws. Note: do not tighten screws until Step 3b.

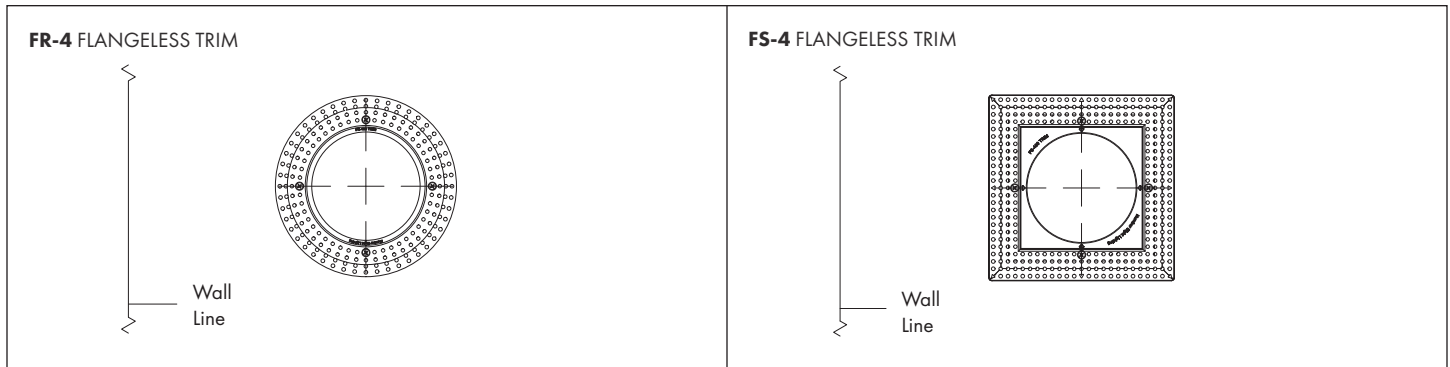
<p><b>FR-4 FLANGELESS TRIM</b></p>  <p>Mud Shield</p>	<p><b>FS-4 FLANGELESS TRIM</b></p>  <p>Mud Shield</p>
--	---

# REMODEL – REMOTE INSTALLATION – FLANGELESS TRIMS

## STEP 3 – FLANGELESS TRIM INSTALLATION (CONTINUED)

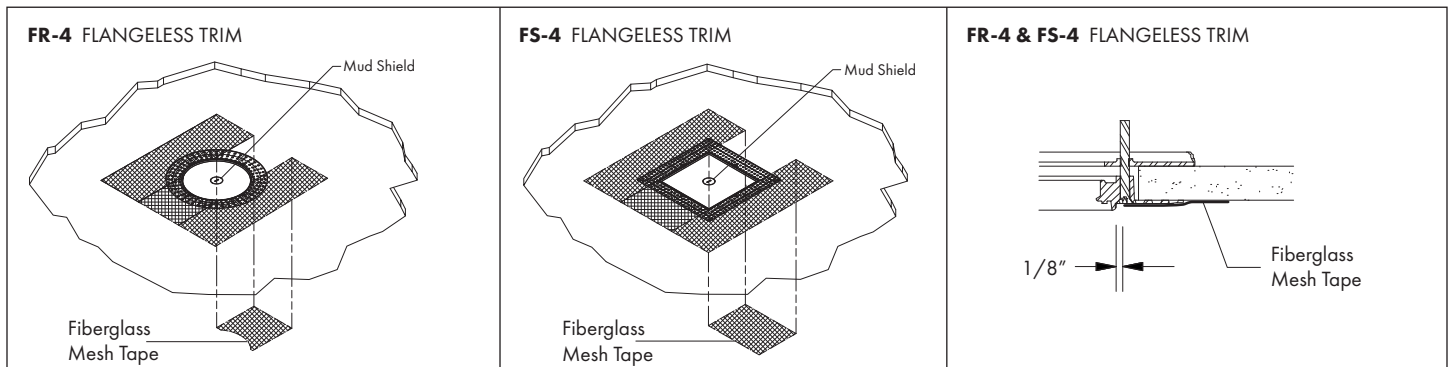
**3b.** Rotate trim so screws are aligned with adjacent walls or fixtures.

**CAUTION:** Hand tighten trim screws. Power driver is not recommended.

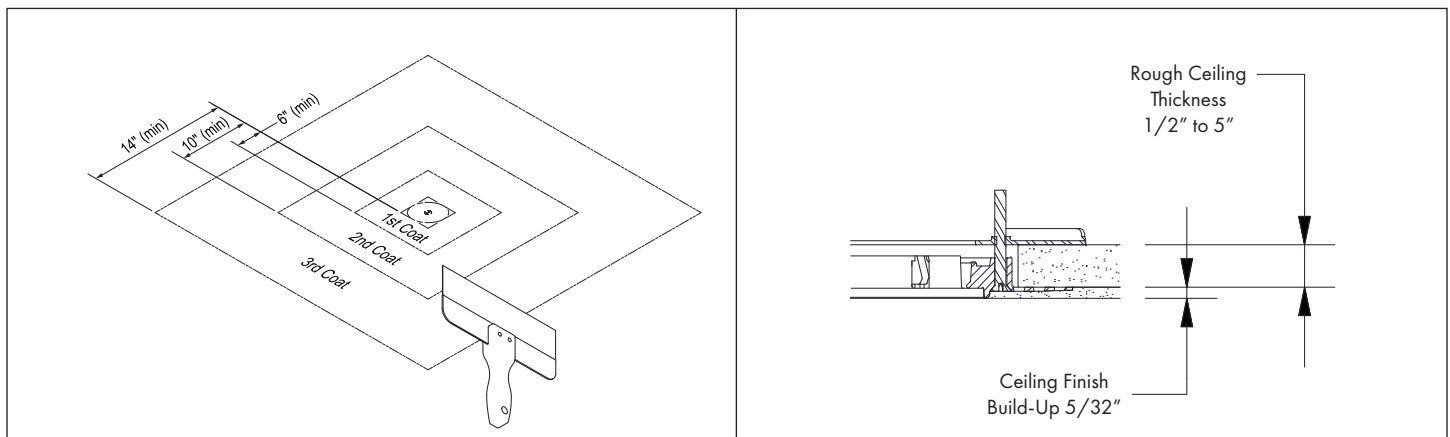


**3c.** Re-install mud shield

**3d.** Apply 6" wide fiberglass mesh tape over perforated metal trim flange leaving 1/8" cut-out around the outside edge of the raised trim lip and extending over ceiling board



**3e.** Apply Ceiling Finish **FR-4 & FS-4** FLANGELESS TRIM



**3f.** First Coat - Apply USG "Durabond" setting-type joint compound for embedding the perforated flange and fiberglass mesh tape following the manufacturer's instructions and warnings for outside corners and trim. The compound should extend a minimum of 6" from the trim edge. Allow first coat to dry completely and remove any high spots by lightly sanding before applying the second coat.

**3g.** Second Coat - Apply USG general purpose ready-mixed joint compound flush to finished edge of trim, floating outward following the manufacturer's instructions and warnings. The compound should extend a minimum of 10" from the trim edge. Allow second coat to dry completely and remove any high spots by lighting sanding before applying the third coat.

**3h.** Third Coat - Apply USG ready-mixed finishing joint compound flush to finished edge of trim, floating outward following the manufacturer's instructions and warnings. The compound should extend a minimum of 14" from the trim edge. Allow third coat to dry completely before sanding.

**3i.** Sand third coat with fine grit sandpaper until mud shield and finished metal edge of trim lip are barely exposed.

**3j.** Remove mud shield knock-out and remove mud-shield by pulling outward.

**3k.** Remove excess material from inside edges of trim.

**3l.** Apply primer (USG Sheetrock or equivalent) and paint following the paint manufacturer's instructions and warnings.

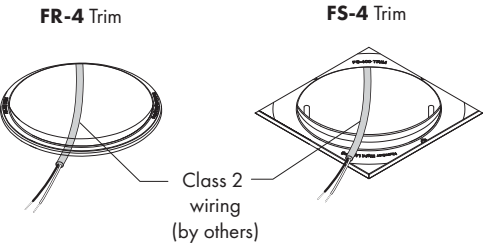
**CAUTION:** Do not paint inside of **FR-4** or **FS-4** trim surface.



# REMODEL – REMOTE INSTALLATION – FLANGELESS TRIMS

## STEP 4 – REMOTE POWER SUPPLY CLASS 2 WIRING

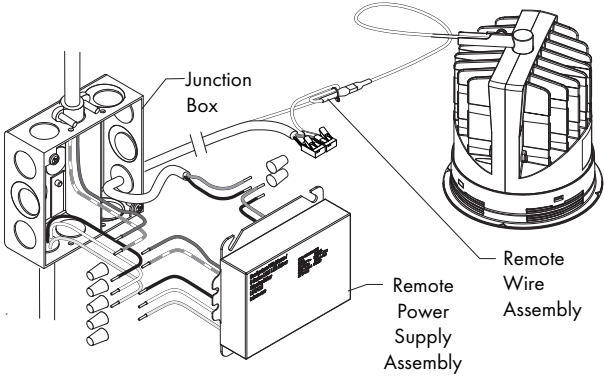
**4a.** Route class 2 wiring from remote power supply to fixture location and pull through ceiling cut-out ensuring a minimum of 6" of wire extends below the ceiling.



FR-4 Trim      FS-4 Trim

Class 2 wiring (by others)

**4b.** Remove box cover on power supply assembly, install appropriate conduit connector (not supplied) & connect driver to class 2 wire. Place all wiring connectors back in junction box and replace cover.



Junction Box

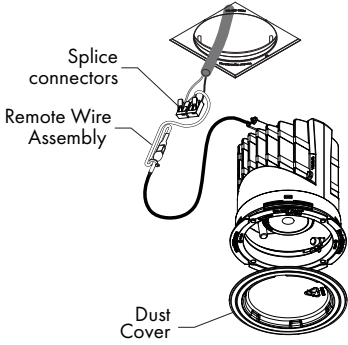
Remote Power Supply Assembly

Remote Wire Assembly

**4c.** Review wiring instructions on **Pages 10-13** and wire accordingly. Place all wiring and connectors back in power supply box and replace cover.

## STEP 5 – HOUSING + LIGHT ENGINE WIRING AND INSTALLATION

**5a.** Support housing and attach remote wire assembly to Class 2 wiring. Remove dust cover temporarily and save.

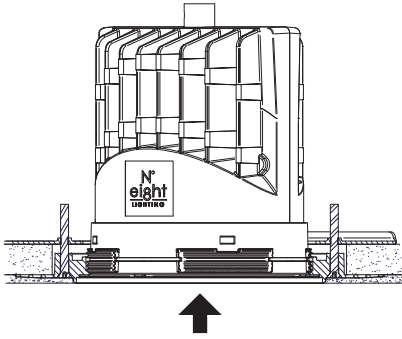


Splice connectors

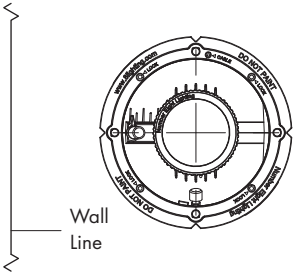
Remote Wire Assembly

Dust Cover

**5b.** Install housing into trim cut-out.

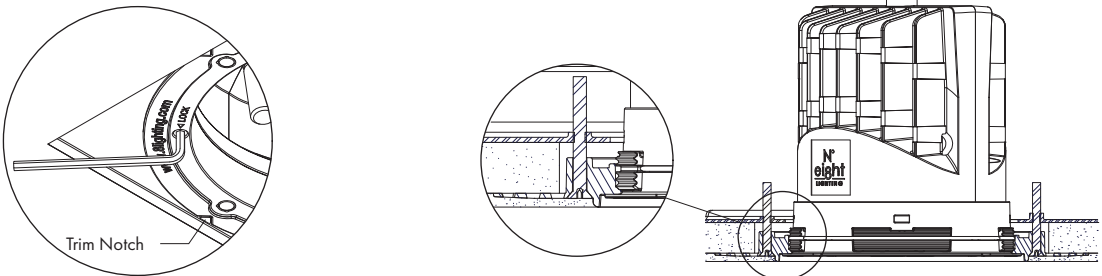


**5c.** For **FR-4** trim, rotate housing flange so notches are aligned with adjacent walls or fixtures. For **FS-4** trim, rotate housing flange until notches in flanges mate with notches in trim.



Wall Line

**5d.** Locate (4) four locking screws. While applying upward pressure on fixture flange, hand tighten using supplied 3/32" hex-key. Ensure fixture flange is tight against trim.



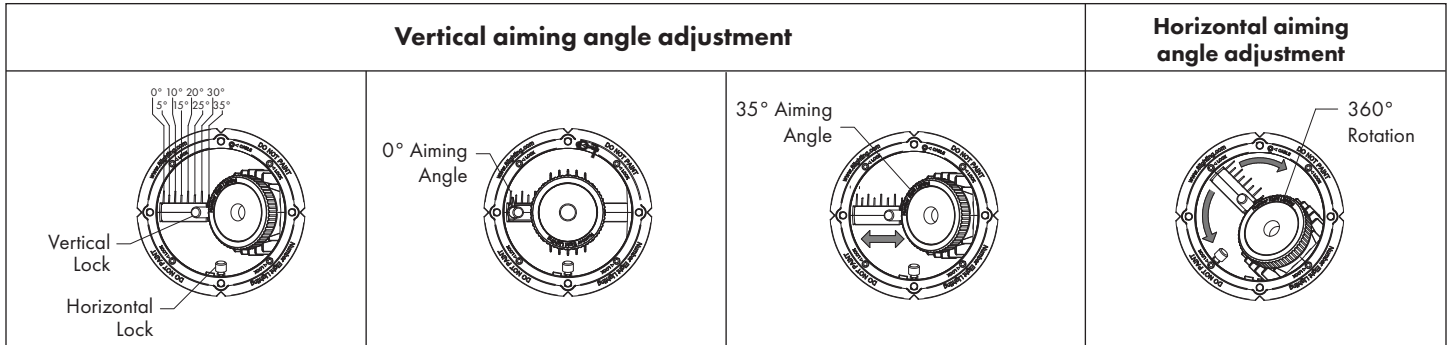
Trim Notch

**5e.** Re-install dust cover temporarily until after ceiling has been completely finished.

# AIMING & ADJUSTMENT

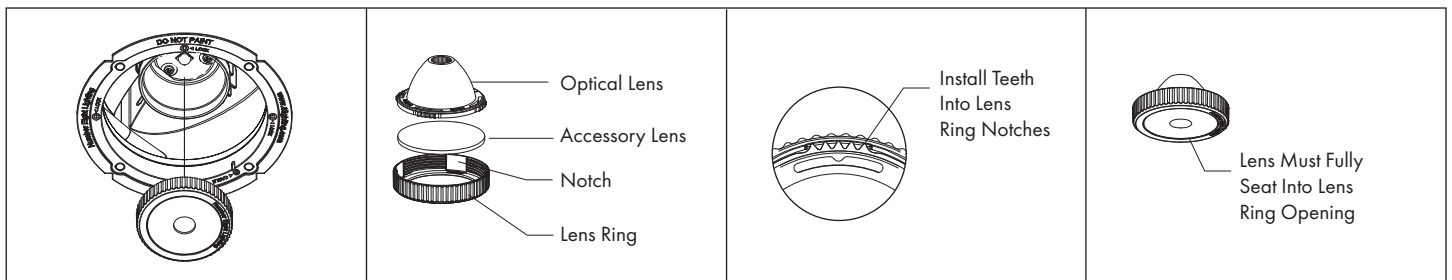
## STEP 1 – VERTICAL AIMING & ADJUSTMENT

- 1a. After ceiling is finished, remove temporary dust cover and discard.
- 1b. Loosen vertical and horizontal adjustment locks.
- 1c. Adjust vertical aiming by sliding the lamp holder to desired angle (0-35°).
- 1d. Adjust the horizontal aiming by rotating the lamp holder & housing assembly to desired angle (0-360°).
- 1e. Tighten vertical and horizontal adjustment screws.



## STEP 2 – LENS AND ACCESSORY REMOVAL AND REPLACEMENT

- 2a. Remove lens ring from lamp holder by unscrewing counter-clockwise.
- 2b. Remove optic lens (and accessory lens if installed) by gently pressing upward on the center while holding the lens ring.
- 2c. Install desired optic (and accessory lens if used) by aligning the optic lens teeth with notches in lens ring.
- 2d. Re-install lens ring onto lamp holder by turning clockwise.



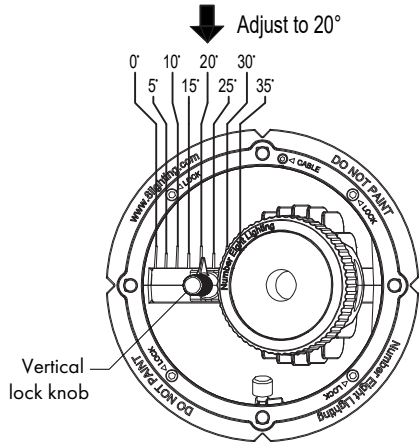
# WW-4 Wall Wash Trim Adjustment and Installation

**Important:** For optimal performance use 40° optic with HI, HI-3, WD, WD-2, WD-4, or TW LED. Use 10° optic and FL lens with HI-2 LED.

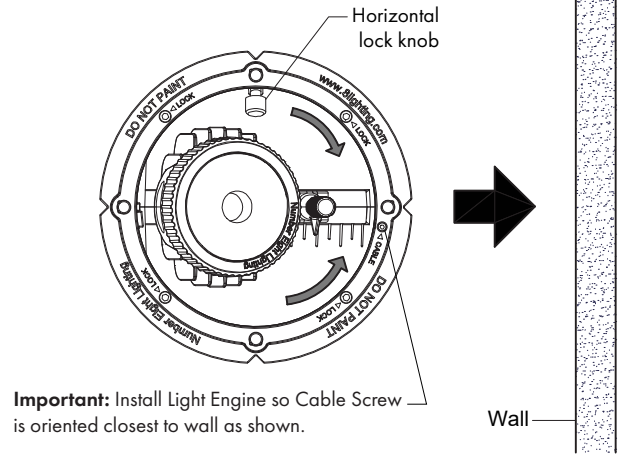
- 1a. Unlock & adjust vertical aiming angle to 20°.
- 1b. Unlock & adjust horizontal position to aim light towards wall surface to be illuminated.
- 1c. Orient & install Wall Wash Trim Plate into Trim as shown.

**Note:** Magnets will permit Trim Plates to only be installed in 4 horizontal orientations.

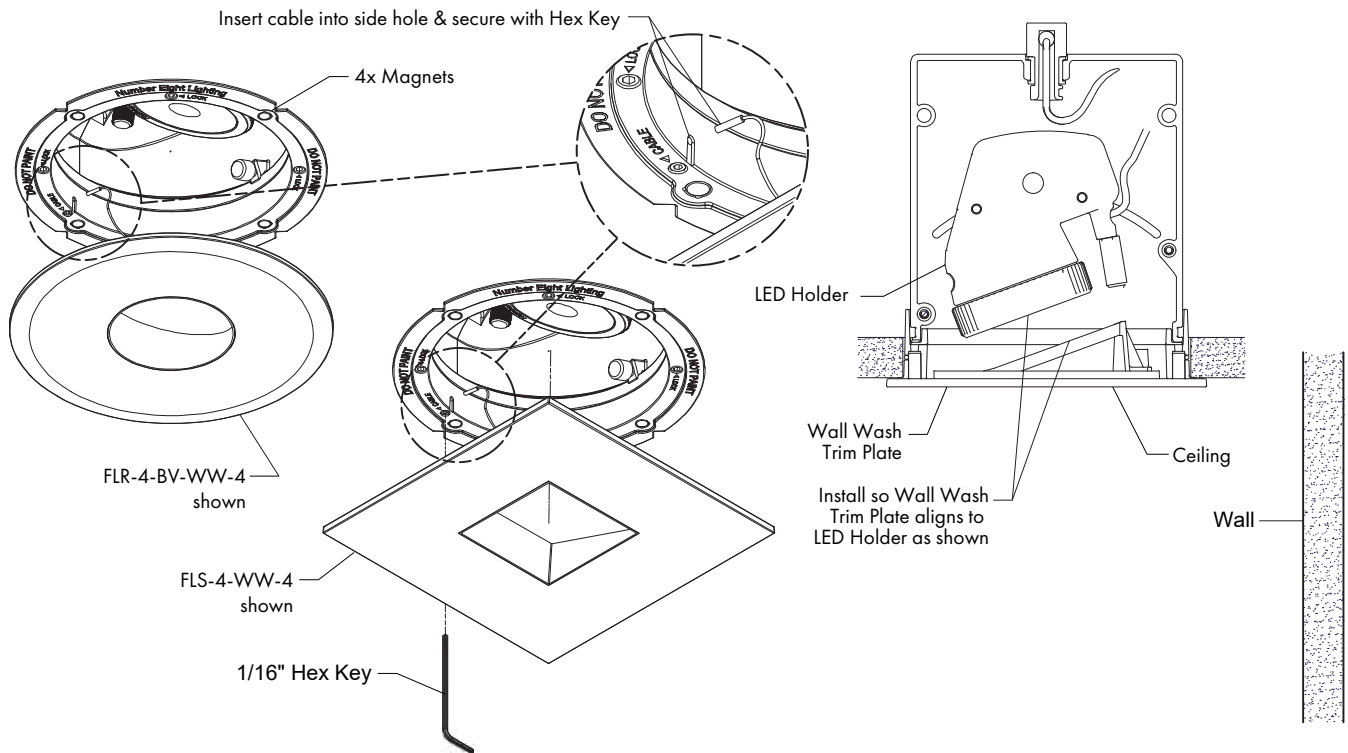
## 1a. Adjust Vertical Aiming Angle



## 1b. Adjust Horizontal Aiming Angle



## 1c. Install onto Light Engine Flange



# TRIM PLATE FINISHING & INSTALLATION

## STEP 1 (OPTIONAL) – PAINT TRIM PLATE

- 1a. Remove the trim plate from packaging.
- 1b. Clean and prepare exposed surfaces for painting following the paint manufacturer's instructions and warnings.
- 1c. Paint as desired using a "dry roller" or light spray application.

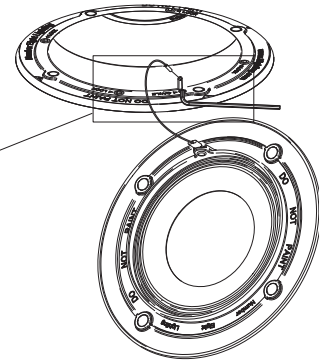
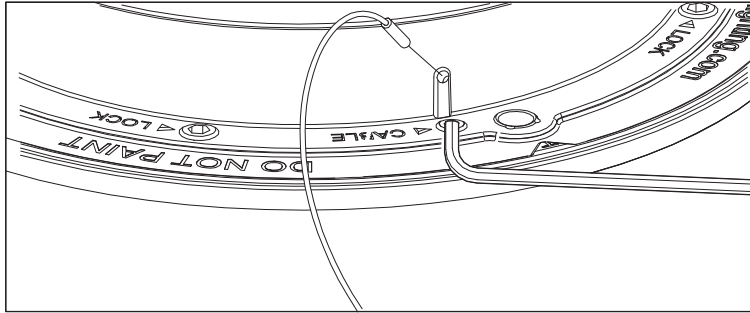
Note: If applying paint by spray method, mask trim plate lens (if installed).

Caution: Paint must be rated for minimum 90°C (150°F). Do not paint trim plate while installed in fixture. Do not paint backside of trim plate or trim safety cable. Do not paint edges of FR-4 or FS-4 rim plate.

- 1d. Allow trim plate to dry completely before installing.

## STEP 2 – INSTALL TRIM PLATE

- 2a. Remove temporary dust cover and discard.
- 2b. Install trim safety cable into attachment hole on housing marked "CABLE" and secure by hand tightening set screw using supplied 1/16" hex key.



- 2c. Align trim plate with magnets and install.

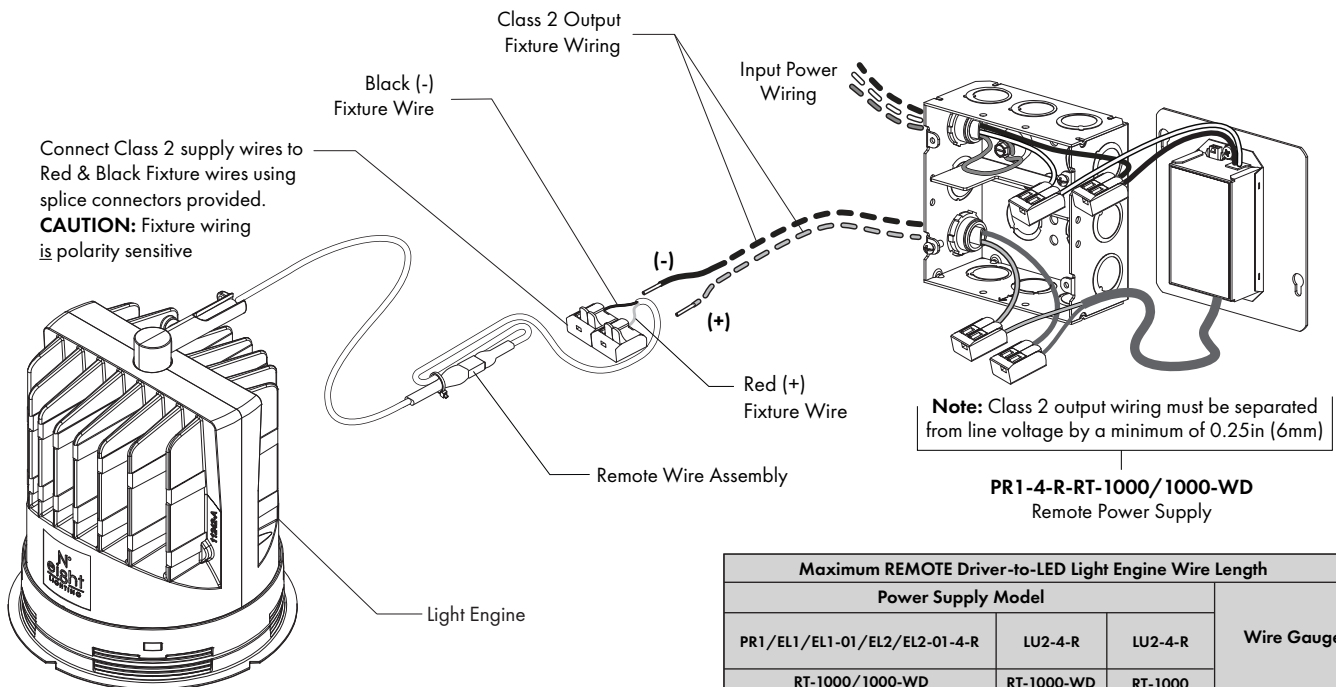
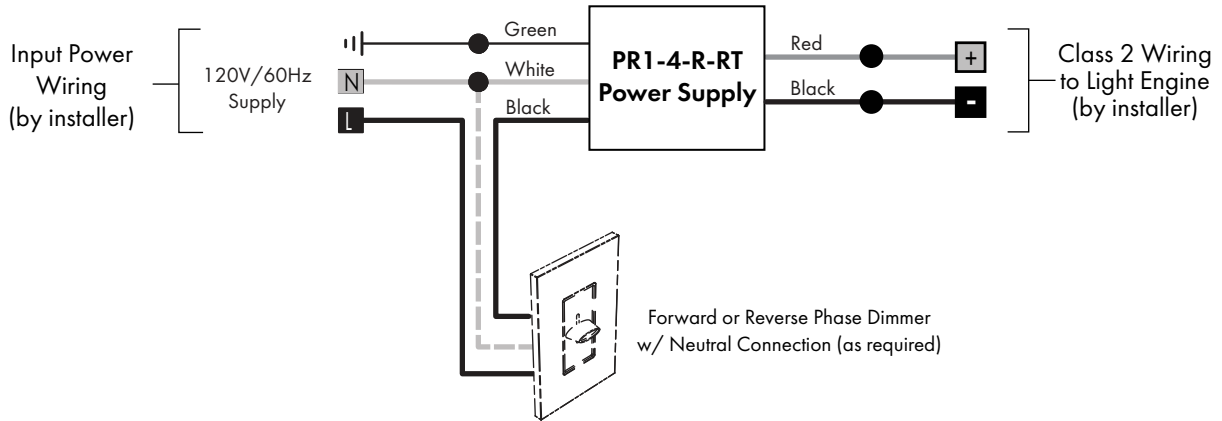
# WIRING INSTRUCTIONS

## For PR1-4-R-RT-1000/1000-WD Remote Dimming Options

### Wiring Connections

1. Verify correct power supply model (see label on cover plate), LED type (see label on fixture), wire length and gauge (see chart below) and input requirements (see label on driver).
2. Install Remote Power Supply away from any heat source and make wiring connections following the Wiring Diagram below.
3. Connect fixture supply wires to Class 2 using Splice Connectors provided.
4. Push all wires and connections completely inside Remote Power Supply junction box and replace cover.

### PR1-4-R-RT-1000/1000-WD - REMOTE PHASE CONTROL



#### Phase Control Notes:

PR1 drivers are Forward Phase Dimmable only.  
for compatible dimmers for use with PR1 drivers see:  
[www.8lighting.com/resources-downloads](http://www.8lighting.com/resources-downloads).

Maximum REMOTE Driver-to-LED Light Engine Wire Length			
Power Supply Model			Wire Gauge
PR1/EL1/EL1-01/EL2/EL2-01-4-R	LU2-4-R	LU2-4-R	
RT-1000/1000-WD	RT-1000-WD	RT-1000	
8 ft (2.5 m)		4 ft (1.2 m)	24 AWG (0.2mm <sup>2</sup> )
13 ft (4 m)		6 ft (1.8 m)	22 AWG (0.34mm <sup>2</sup> )
20 ft (6 m)		10 ft (3 m)	20 AWG (0.5 mm <sup>2</sup> )
30 ft (9 m)		15 ft (4.5 m)	18 AWG (0.75 mm <sup>2</sup> )
35 ft (10.5 m)		25 ft (7.5 m)	16 AWG (1.5 mm <sup>2</sup> )
50 ft (15 m)		40 ft (12 m)	14 AWG (2.5 mm <sup>2</sup> )
100 ft (30 m)		60 ft (18 m)	12 AWG (4.0 mm <sup>2</sup> )
Wire Type: Stranded Class 2 wire (supplied by others)			

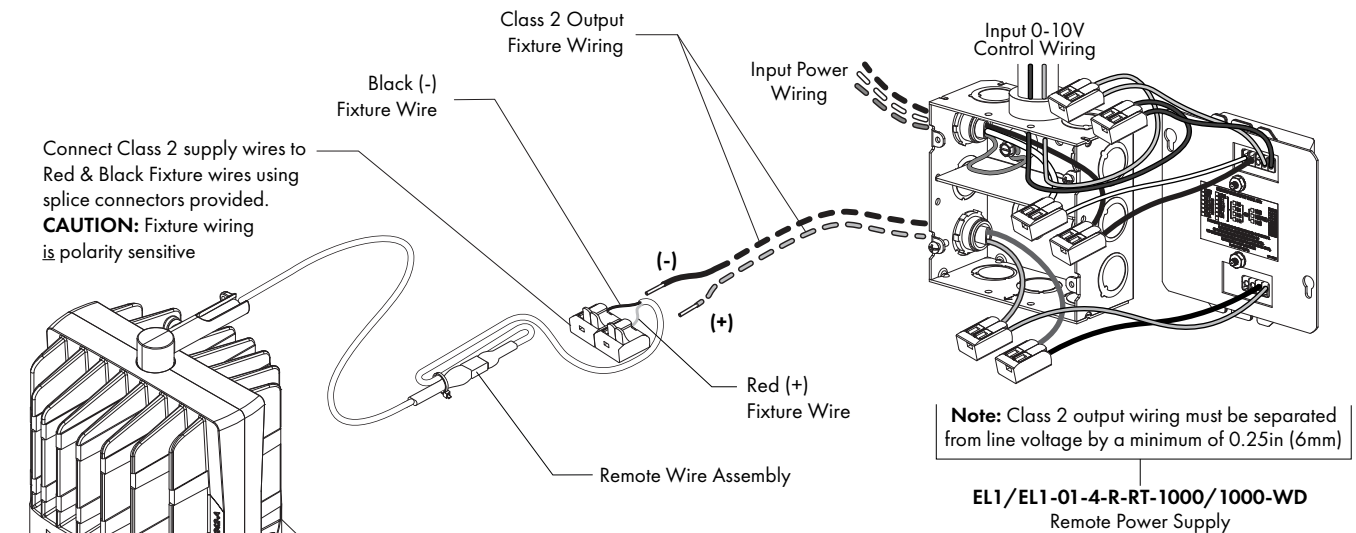
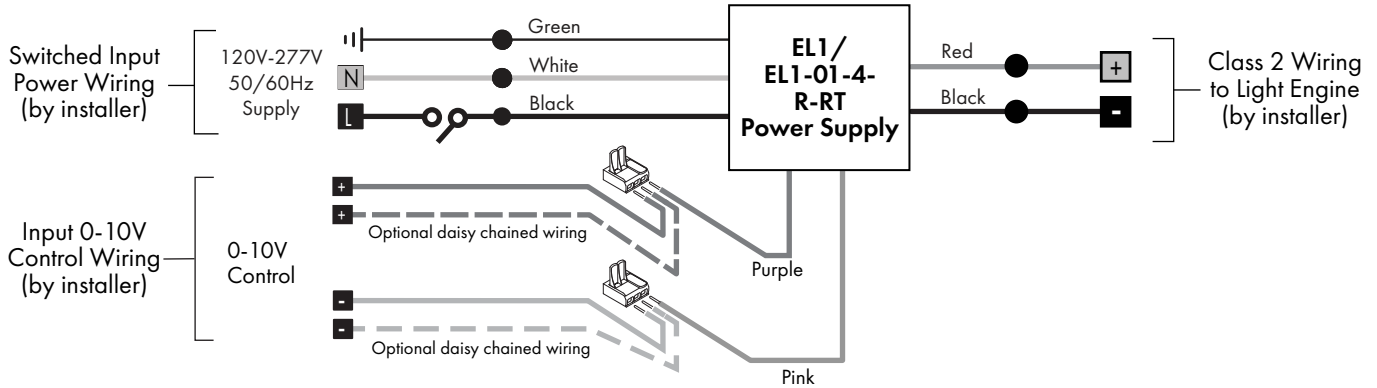
# WIRING INSTRUCTIONS

## For EL1/EL1-01-4-R-RT-1000/1000-WD Remote Dimming Options

### Wiring Connections

1. Verify correct power supply model (see label on cover plate), LED type (see label on fixture), wire length and gauge (see chart below) and input requirements (see label on driver).
2. Install Remote Power Supply away from any heat source and make wiring connections following the Wiring Diagram below.
3. Connect fixture supply wires to Class 2 using Splice Connectors provided.
4. Push all wires and connections completely inside Remote Power Supply junction box and replace cover.

### EL1/EL1-01-4-R-RT-1000/1000-WD - REMOTE 0-10V CONTROL



Connect Class 2 supply wires to Red & Black Fixture wires using splice connectors provided.  
**CAUTION:** Fixture wiring is polarity sensitive

#### 0-10V Control Notes:

0-10V control wiring is polarity sensitive and should be run as Class 2. 300' is the maximum control wiring run length to reduce EMI susceptibility and voltage drop. Voltage drop should be no greater than 0.3V. For compatible dimmers for use with **EL1** drivers see: [www.8lighting.com/resources-downloads](http://www.8lighting.com/resources-downloads).

Maximum REMOTE Driver-to-LED Light Engine Wire Length			
Power Supply Model			Wire Gauge
PR1/EL1/EL1-01/EL2/EL2-01-4-R	LU2-4-R	LU2-4-R	
RT-1000/1000-WD	RT-1000-WD	RT-1000	
8 ft (2.5 m)		4 ft (1.2 m)	24 AWG (0.2mm <sup>2</sup> )
13 ft (4 m)		6 ft (1.8 m)	22 AWG (0.34mm <sup>2</sup> )
20 ft (6 m)		10 ft (3 m)	20 AWG (0.5 mm <sup>2</sup> )
30 ft (9 m)		15 ft (4.5 m)	18 AWG (0.75 mm <sup>2</sup> )
35 ft (10.5 m)		25 ft (7.5 m)	16 AWG (1.5 mm <sup>2</sup> )
50 ft (15 m)		40 ft (12m)	14 AWG (2.5 mm <sup>2</sup> )
100 ft (30 m)		60 ft (18 m)	12 AWG (4.0 mm <sup>2</sup> )
<b>Wire Type: Stranded Class 2 wire (supplied by others)</b>			



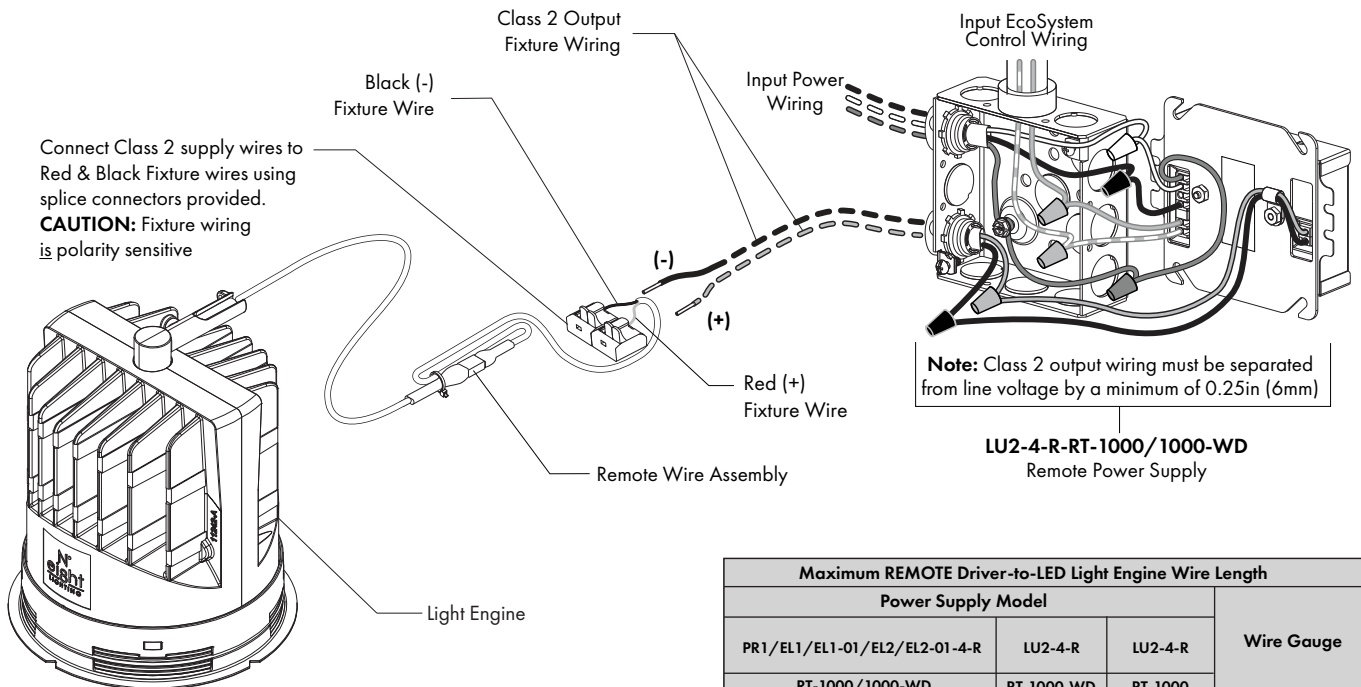
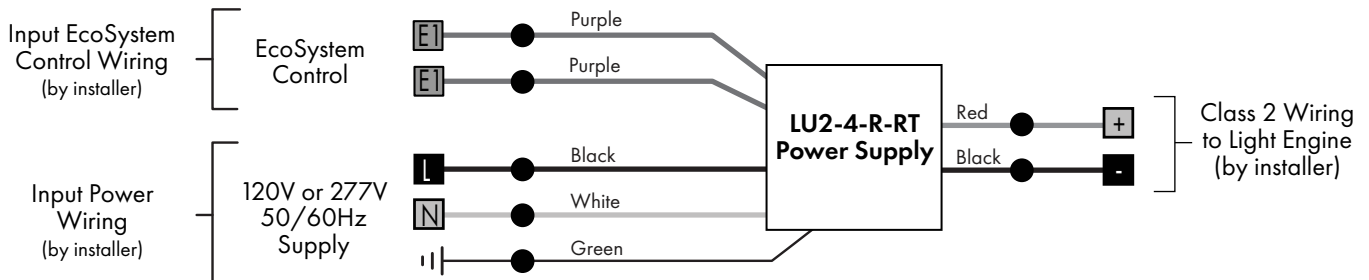
# WIRING INSTRUCTIONS

## For LU2-4-R-RT-1000/1000-WD Remote Dimming Options

### Wiring Connections

1. Verify correct power supply model (see label on cover plate), LED type (see label on fixture), wire length and gauge (see chart below) and input requirements (see label on driver).
2. Install Remote Power Supply away from any heat source and make wiring connections following the Wiring Diagram below.
3. Connect fixture supply wires to Class 2 using Splice Connectors provided.
4. Push all wires and connections completely inside Remote Power Supply junction box and replace cover.

### LU2-4-R-RT-1000/1000-WD - REMOTE ECOSYSTEM CONTROL



#### Lutron EcoSystem Control Notes:

Up to 64 LU2 power supplies can be daisy chained per EcoSystem control loop. Maximum control wiring run length is 1000'. For additional information contact LED Center of Excellence at 1.877.346.5338 or LEDs@lutron.com.

Maximum REMOTE Driver-to-LED Light Engine Wire Length			
Power Supply Model			Wire Gauge
PR1/EL1/EL1-01/EL2/EL2-01-4-R	LU2-4-R	LU2-4-R	
RT-1000/1000-WD	RT-1000-WD	RT-1000	
8 ft (2.5 m)		4 ft (1.2 m)	24 AWG (0.2mm <sup>2</sup> )
13 ft (4 m)		6 ft (1.8 m)	22 AWG (0.34mm <sup>2</sup> )
20 ft (6 m)		10 ft (3 m)	20 AWG (0.5 mm <sup>2</sup> )
30 ft (9 m)		15 ft (4.5 m)	18 AWG (0.75 mm <sup>2</sup> )
35 ft (10.5 m)		25 ft (7.5 m)	16 AWG (1.5 mm <sup>2</sup> )
50 ft (15 m)		40 ft (12m)	14 AWG (2.5 mm <sup>2</sup> )
100 ft (30 m)		60 ft (18 m)	12 AWG (4.0 mm <sup>2</sup> )
Wire Type: Stranded Class 2 wire (supplied by others)			





[www.8lighting.com](http://www.8lighting.com)

**Number Eight Lighting Company**

526 Portal Street, Cotati, CA 94931

Phone (707) 794-0888 • Email [customerservice@8lighting.com](mailto:customerservice@8lighting.com)