



800 SERIES
**TRIMS for SHEETROCK/PLASTER/WOOD/
STONE/ACCOUSTIC TILE CEILINGS**
INSTALLATION INSTRUCTIONS



SCAN QR CODE FOR INSTRUCTIONS

WARNING: Read and understand these instructions completely before installation. To be installed by qualified electricians only. Products should be installed in accordance with these instructions, local electrical codes, and the National Electric Code (NEC). These products may represent a possible shock or fire hazard if improperly installed.

CAUTION: Disconnect power at circuit breaker or fuse panel before installation or servicing. Always allow LED assembly to cool before servicing. Do not connect or disconnect LED lamp module wire connector when fixture is energized as this may result in permanent damage to the LED. Do not install where insulation or ambient temperatures will exceed maximum values noted in product specifications. See www.8lighting.com for current product specifications.

NOTE: Number Eight Lighting fixtures are designed to meet the latest NEC requirements and are listed in full compliance with UL standards. Before attempting installation, check your local electrical code which sets the wiring standards and installation requirements for your locality and should be understood before starting work.

SAVE THESE INSTRUCTIONS.

TABLE OF CONTENTS

	PAGE
SQUARE & ROUND TRIMS - SHEETROCK/PLASTER CEILINGS.....	1-7
SQUARE TRIM INSTALLATION - WOOD/STONE/ACCOUSTIC TILE CEILINGS.....	8-11
ROUND TRIM INSTALLATION - WOOD/STONE /ACCOUSTIC TILE CEILINGS.....	12-15

TRIM INSTALLATION - SHEETROCK/PLASTER CEILINGS

STEP 1 Determine which Trim Kit model below is specified for use on housing.
Check Hanger Bracket position on housing according to **Table 1.1** & **FIG 1.1** & **1.2**.
STEP 2 Adjust Hanger Bracket position as needed - **FIG 1.2**.

CAUTION: Housing must be installed in correct height position for Trim model before installing Trim Kits. Be sure to select correct Hanger Bracket hole position for intended Trim assembly. Changing hole position is not possible after ceiling is installed.

- ▶ For ceiling cutout details - see **Page 2**
- ▶ For single Trim Installation details - see **Page 3**
- ▶ For multi-lamp Trim Installation details - see **Page 4**
- ▶ For Trim ceiling finishing details - see **Page 5 & 6**

Trim Styles	For Ceiling Thickness Range	Position #
FR-P, FS-P	1/2" to 1"	Lower #1
INR-P, INS-P (Not for use with 804D Series)	1/2" to 1"	Upper #2
	1" to 1-1/2"	Lower #1

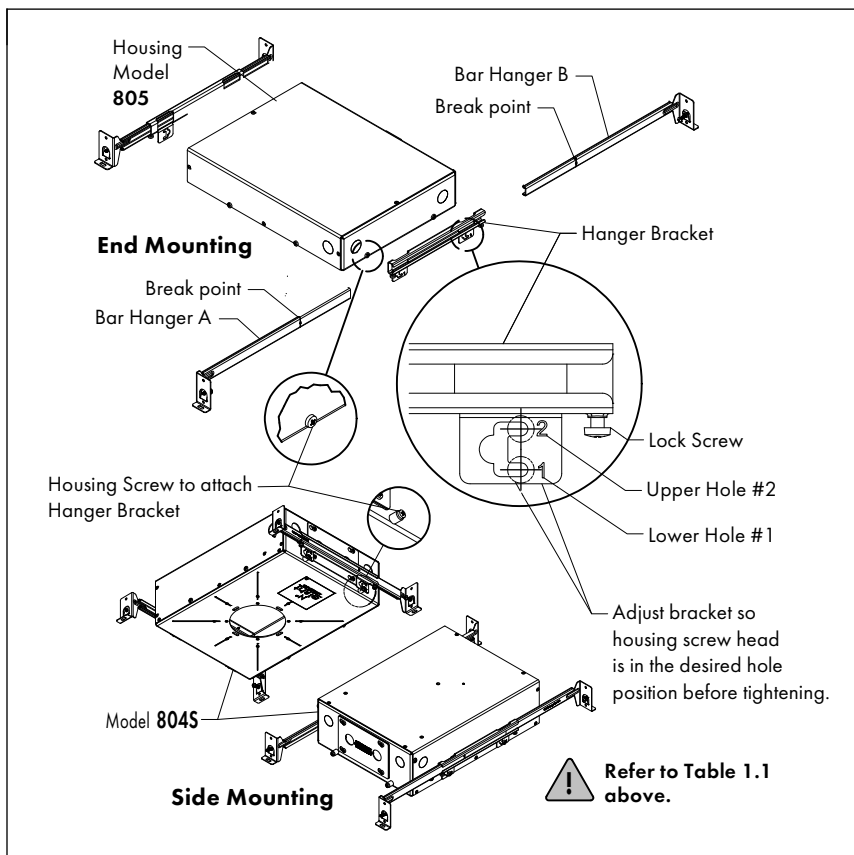
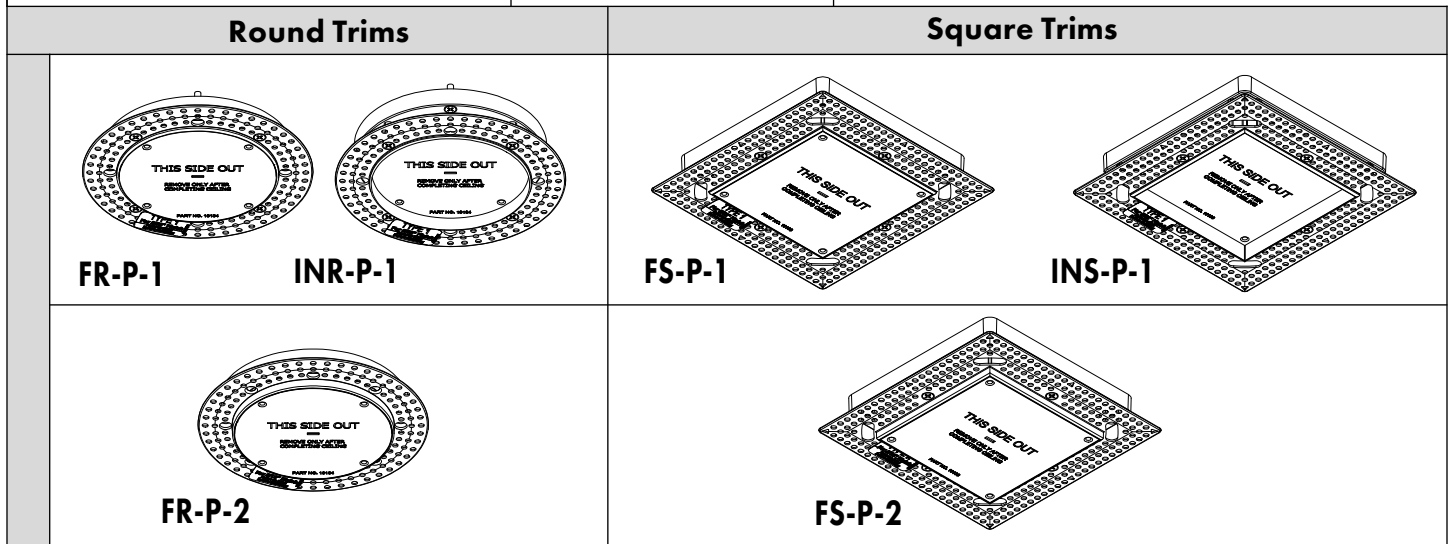


FIG 1.1 Installing Bar Hangers & Hanger Brackets

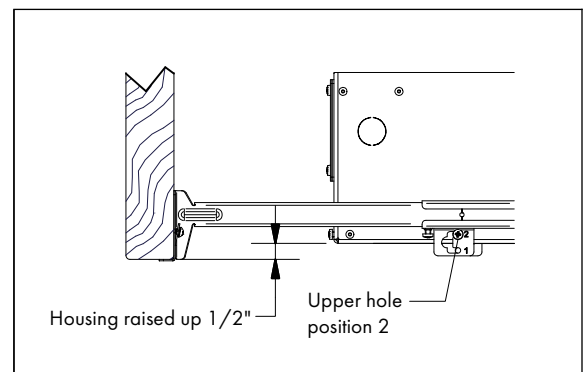


FIG 1.2 Hole Position 1 Housing Location

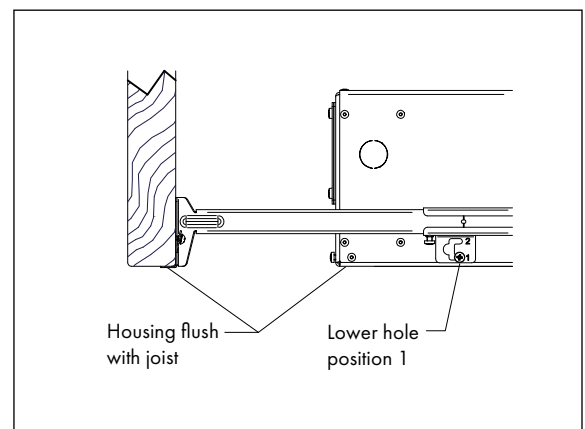


FIG 1.2 Hole Position & Housing Location

TRIM INSTALLATION - SHEETROCK/PLASTER CEILINGS - CEILING CUTOUTS

STEP 1 Accurately measure cutout location (for housing aperture center) & mark centers in ceiling material.

STEP 2 Cut openings in ceiling board as dimensioned below.

⚠ IMPORTANT: Cutout location accuracy is critical, always double check measurements before cutting.

Note: Trim Spacers are required with Square Trims used on Multi-Lamp Housings only. Spacers can be cut randomly from anywhere within square trim ceiling board cutout blanks shown below. Trim Spacer thickness must be identical to ceiling board used. Refer to **Page 4** for additional Trim Spacer installation details.

	Round	Square
	Round Trim Ceiling Cutouts	Square Trim Ceiling Cutouts & Trim Spacers
1 Lamp Housing		
2 Lamp Housing		
3 Lamp Housing		
4 Lamp Housing		
4 Lamp-Quad Housing		

TRIM INSTALLATION - SHEETROCK/PLASTER CEILINGS - SINGLE LAMP MODELS

STEP 3 Install USG "Imperial" or equivalent ceiling board (drywall/sheetrock) with cutouts positioned under housing apertures. Finish with one coat of USG sheetrock or equivalent wall covering primer. **Note:** Black frame (round or square) can be installed before or after ceiling board installation - **FIG 3.2**.

STEP 4 Install trim to housing by hand tightening 4 screws until trim is secured against ceiling board - **FIG 3.3**.

STEP 5 Install Dust Cover - **FIG 3.2 & 3.4**.

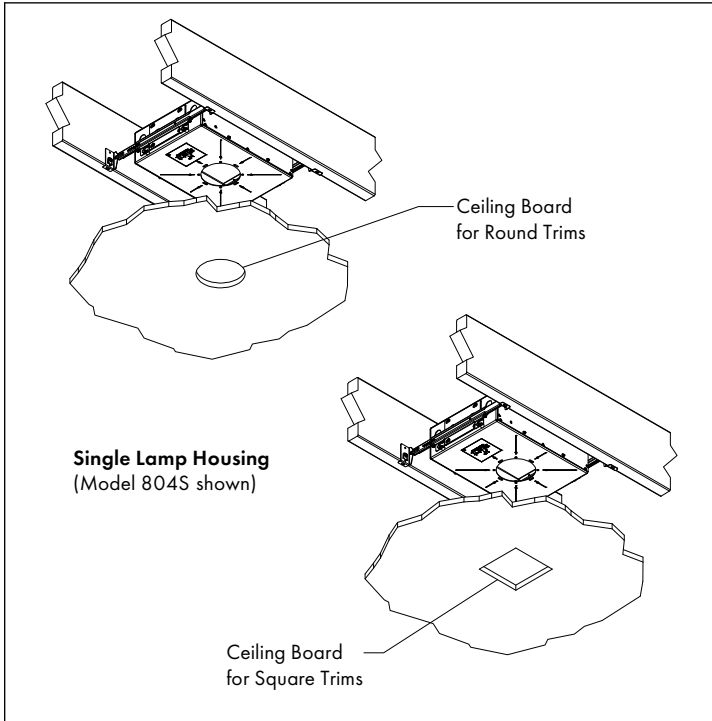


FIG 3.1 Wall Board Installation for Single Lamp Housings

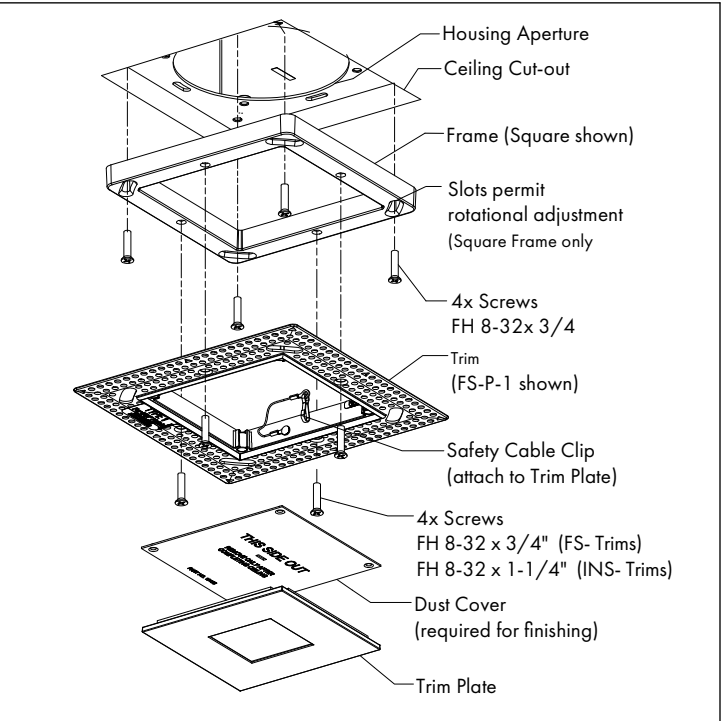


FIG 3.2 Frame & Trim Installation (for Single & Multi-Lamp)

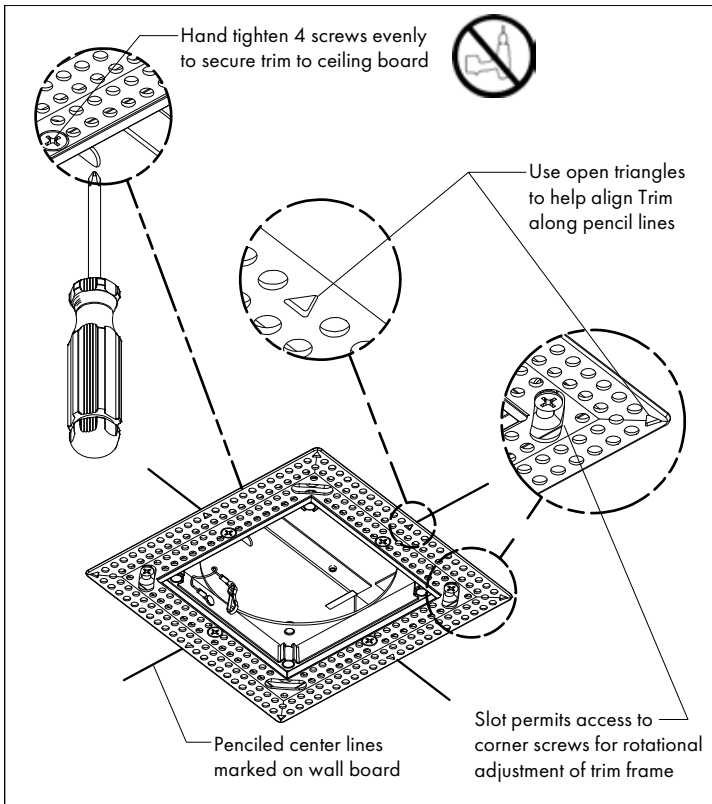


FIG 3.3 Install & Adjust Trim (for Single & Multi-Lamp)

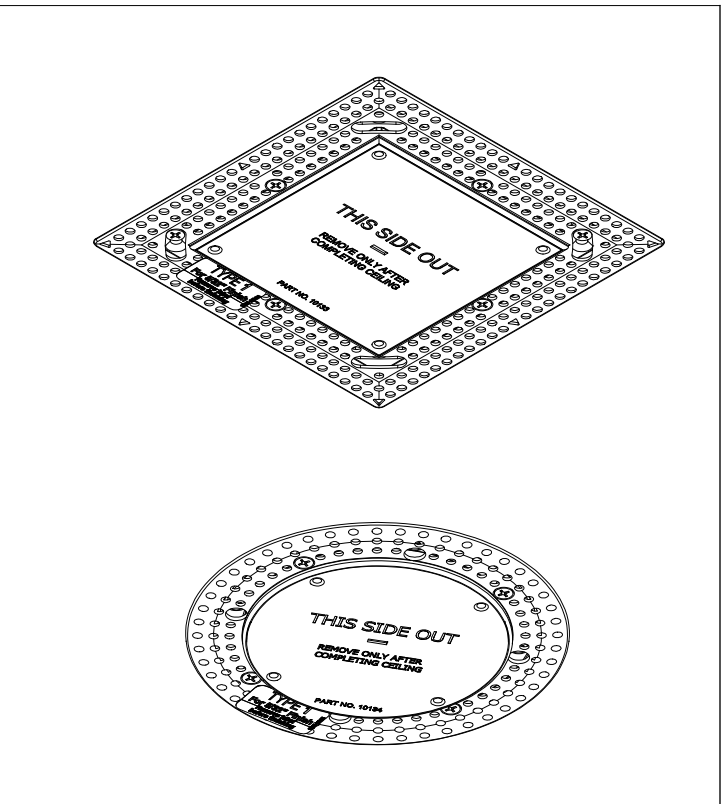


FIG 3.4 Trims installed with Dust Covers in place

TRIM INSTALLATION - SHEETROCK/PLASTER CEILINGS - MULTI-LAMP MODELS

For Multi-Lamp Housings only (see **Page 3** for single lamp housings).

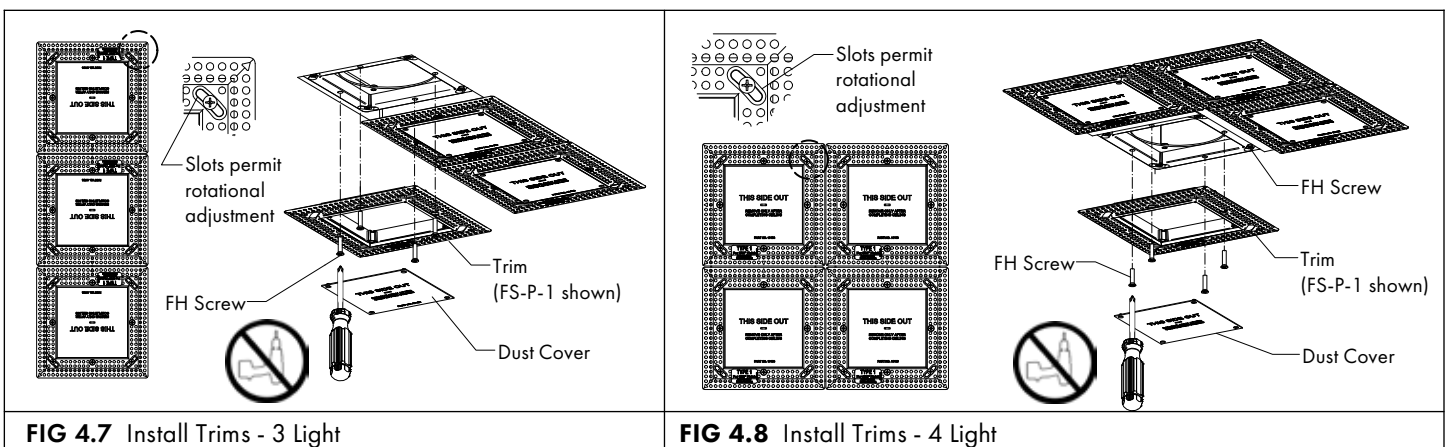
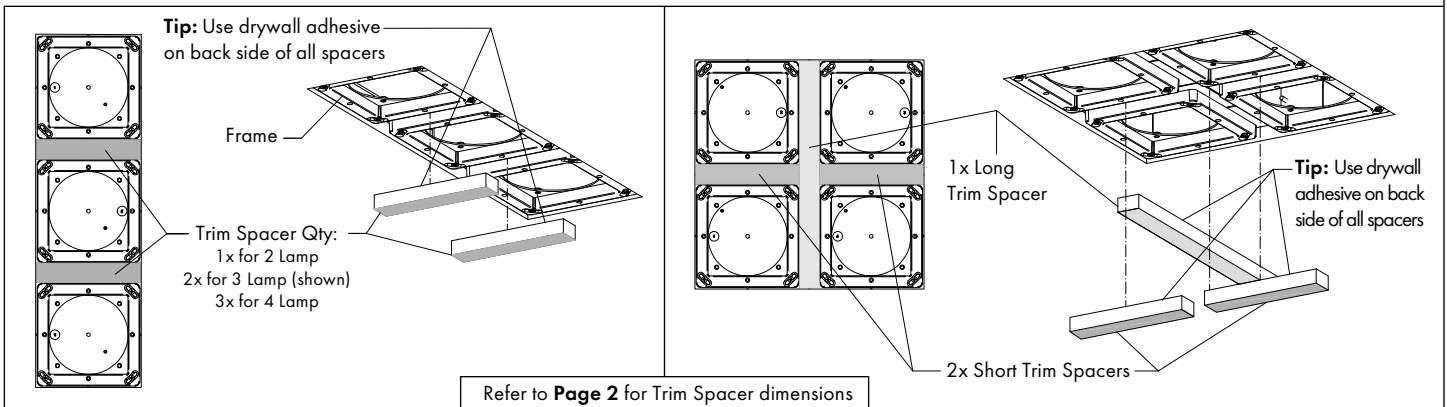
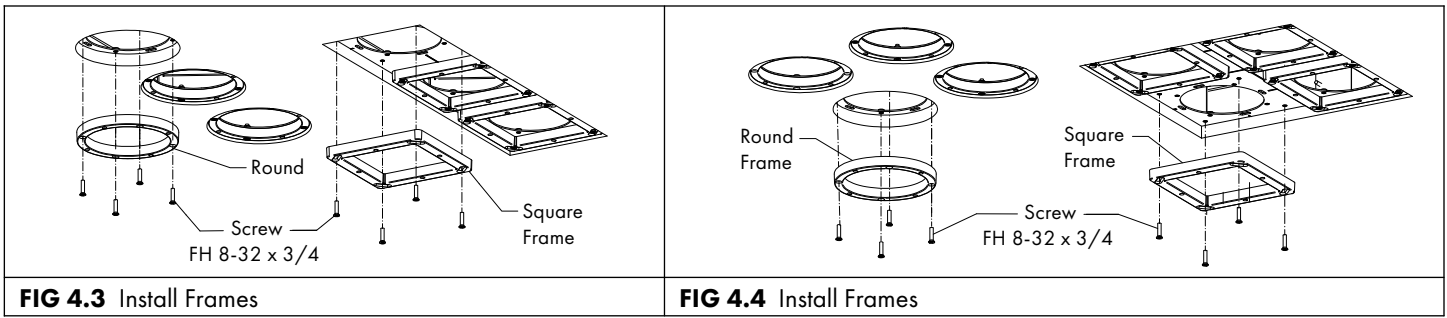
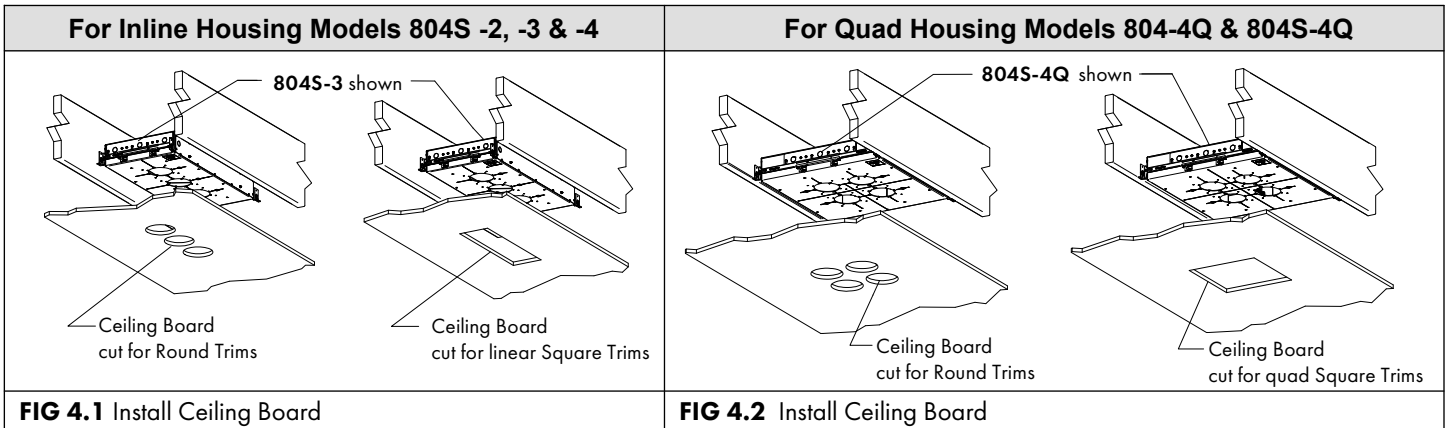
STEP 3 After making trim cutouts, install USG "Imperial" or equivalent ceiling board (drywall/sheetrock) and finish with one coat of USG sheetrock primer or equivalent - **FIG 4.1 & 4.2**.

STEP 4 Install Frames to housing. Note: Round or Square Frames can be installed before or after ceiling board installation - **FIG 4.3 & 4.4**.

STEP 5 For Square Trims only - Secure Trim Spacers (make from drywall/sheet rock cutout) to metal surface on bottom of Housing. Refer to page 10 for cut length required - **FIG 4.5 & 4.6**.

Tip: use standard drywall adhesive to hold Trim Spacers until Trims can be installed. Trim Spacers are required to support the center of Trim Flanges when fastened to ceiling.

STEP 6 Install Trim to Housing by hand tightening 4 screws until Trim is secured against ceiling board - **FIG 4.7 & 4.8**. To avoid warping flanges, using power screw driver is not recommended.



TRIM INSTALLATION - SHEETROCK/PLASTER CEILINGS

Type P-1 Trim Installation (Refer to Figures on pages 4 & 6)

STEP 1 For Square Trims only- Adjust Trims to be square to walls and adjacent fixtures if required using four Phillips screws in each corner.
For all Trim types - Tighten trim against ceiling material using four Phillips screws in middle of trim - **FIG 4.3**. Once plaster or compound has been applied, no further adjustment to the trim is possible.



Important Note: Hand tighten trim adjustment screws. Power driver is not recommended.

STEP 2 Apply 6" wide fiberglass tape to cover perforated metal trim flange. Extend tape over ceiling board leaving 1/8" cut-out around the outside edge of the raised trim lip - **FIG 6.2**.

Multi-Lamp models - cut narrow tape strips & install in between all trims so tape edges are 1/8" away from raised trim lip - **FIG 6.2**.

STEP 3 First Coat - Apply USG "Durabond" setting-type joint compound for embedding the perforated flange and fiberglass mesh following the manufacturer's instructions and warnings for outside corners and trim. The compound should extend on to the ceiling a minimum of 6" from the trim edge. Allow first coat to dry completely before applying the second coat - **FIG 6.3**.

Tip: Avoid excess compound build-up between edges of trim and dust shield.

STEP 4 Second Coat - Apply USG general purpose ready-mixed joint compound flush to finished edge of trim, floating outward following the manufacturer's instructions and warnings. The compound should extend on to the ceiling a minimum of 10" from the trim edge. Allow second coat to dry completely before applying the third coat.

Tip: Avoid excess compound build-up between edges of trim and dust shield.

STEP 5 Third Coat - Apply USG ready-mixed finishing joint compound flush to finished edge of trim, floating outward following the manufacturer's instructions and warnings. The compound should extend on to the ceiling a minimum of 14" from the trim edge. Allow third coat to dry completely before sanding - **FIG 6.3**.

Tip: Avoid excess compound build-up between edges of trim and dust shield.

STEP 6 Lightly sand final coat with fine grit sandpaper until finished edge of trim and ceiling are flush.

STEP 7 After sanding joint compound flush and smooth, remove metal dust shield by inserting a flat head screw driver into center slot and prying downward. After removing dust shield, remove any excess material from edges of shield and trim.

Tip: It may be necessary to remove excess finish from joints between edge of trim and dust shield by scoring with a utility knife prior to removing dust shield.

STEP 8 Apply USG sheetrock wall covering primer or equivalent following the manufacturer's instructions and warnings.

Tip: If applying primer/paint by spray method, re-install dust shield to prevent overspray on inside of housing. Avoid excess paint build-up on inside edges of trim and between edges of trim and dust shield.

STEP 9 Apply paint finish coats or Venetian-style plaster finish following the manufacturer's instructions and warnings.

STEP 10 Remove metal dust shield and replace with trim plate - **FIG 6.6**.

Tip: It may be necessary to remove excess finish from joints between edge of trim and dust shield by scoring with a utility knife prior to removing dust shield.

STEP 11 If desired, paint trim plate to match ceiling finish-see Trim Plate Finishing Instructions at end of this page

Type P-2 Trim Installation (Refer to Figures on pages 4 & 6)

STEP 1 For Square Trims only- Adjust Trims to be square to walls and adjacent fixtures if required using four Phillips screws in each corner.
For all Trim types - Tighten trim against ceiling material using four Phillips screws in middle of trim - **FIG 4.3**. Once plaster or compound has been applied, no further adjustment to the trim is possible.



Important Note: Hand tighten trim adjustment screws. Power driver is not recommended.

STEP 2 Apply USG "Plaster Bonder" over perforated section of white trim flange extending 1/4" - 1/2" onto ceiling board following the manufacturer's instructions and warnings - **FIG 6.1**.

STEP 3 Apply 6" wide fiberglass tape, covering perforated metal flange and extending over ceiling board leaving 1/8" cut-out around the outside of the trim edge - **FIG 6.2**.

Multi-Lamp models-cut narrow tape strips & install in between all trims so tape edges are 1/8" away from raised trim lip - **FIG 6.2**.

Step 4 Apply 5/32" basecoat using 4:1 mixture of 4 parts USG "Imperial" Base to part USG "Structo-Lite" Base following the manufacturer's instructions and warnings for outside corners & trim - **FIG 6.4**. **Note:** Allow basecoat to dry thoroughly before applying finish coat. Do not apply finish coat until moisture content of base coat is within the plaster manufacturer's recommended levels. Measure moisture content using moisture meter to ensure even dryness throughout ceiling.

Tip: Before applying base coat, it may be necessary to paint edge of trim ring to match color of plaster to avoid seeing white metal edge through finish coat.

STEP 5 Apply 5/32" finish coat flush to finished edge of trim and floated outward following the manufacturer's instructions and warnings - **FIG 6.5**.

Tip: Avoid excess finish build-up between edges of trim and dust shield.

STEP 6 Remove dust shield and replace with trim plate - **FIG 6.6**.

Tip: It may be necessary to remove excess finish from joints between edge of trim and dust shield by scoring with a utility knife prior to removing dust shield.

STEP 7 If desired, paint trim plate to match ceiling finish-see Trim Plate Finishing Instructions.

Trim Plate Finishing Instructions:

STEP 1 Remove the metal trim plate from trim - **FIG 6.6**.

STEP 2 Clean and prepare exposed surfaces for painting following the manufacturer's instructions and warnings.

STEP 3 Paint as desired. **Note:** Paint must be rated for minimum 90°C (150°F). Do not paint backside of trim plate, foam gaskets, inside of trim, or magnets. Do not paint Trim Plate while installed in fixture. Do not paint backside of Trim Plate.

Tip: If applying paint by spray method, it may be necessary to mask trim plate lens and foam gaskets. Avoid excess paint build-up on trim edges.

STEP 4 After paint has thoroughly dried, reassemble into trim - **FIG 6.6**.

► Refer to **Page 7** for section views showing finished ceilings

TRIM INSTALLATION - SHEETROCK/PLASTER CEILINGS

Note: Square FS-P-1 Trims are shown in illustrations. Round Trims are installed the same way as Square Trims.

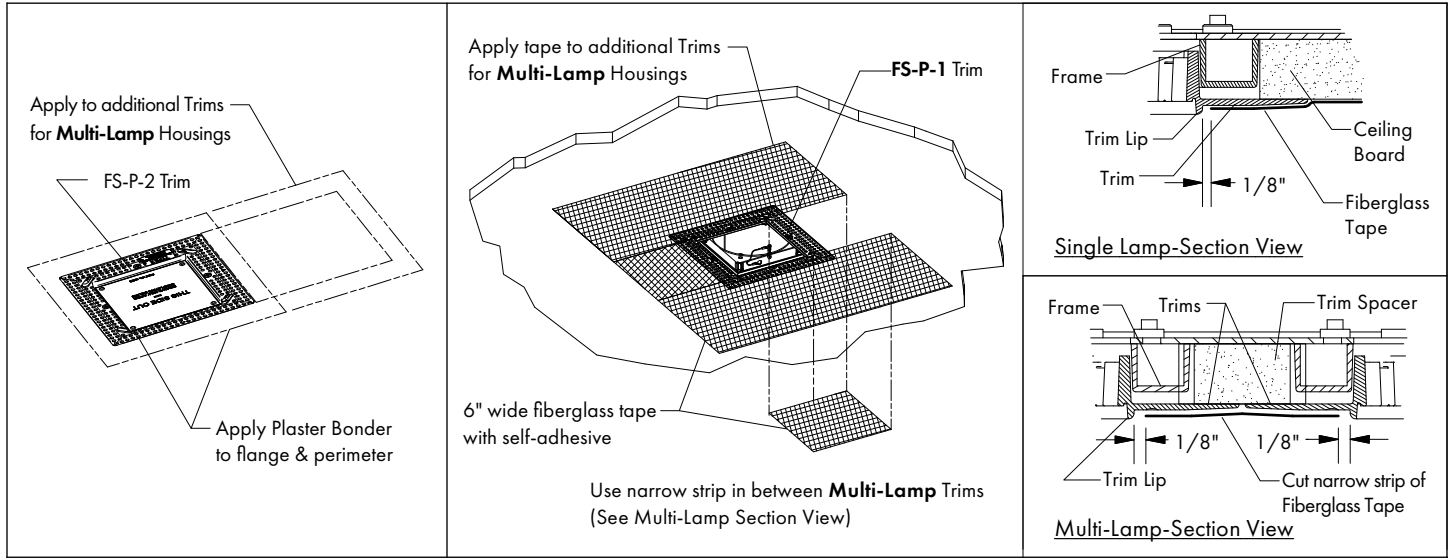


FIG 6.1 Apply bonder-For P-2 Trims only

FIG 6.2 Apply Fiberglass Tape

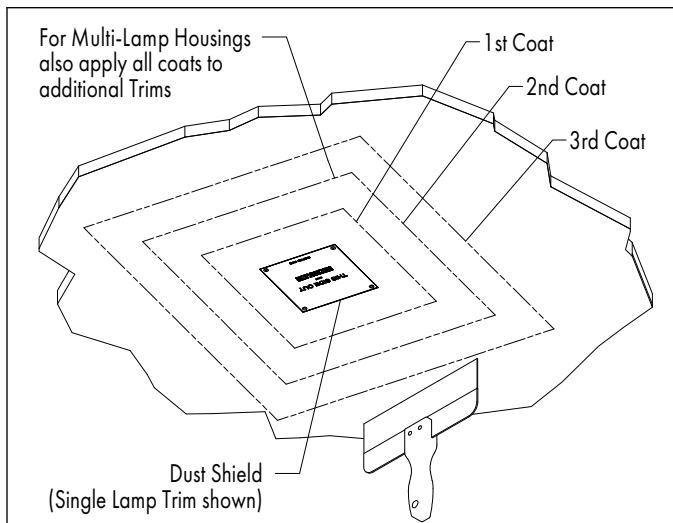


FIG 6.3 Apply Ceiling Coats-For P-1 Trims Only

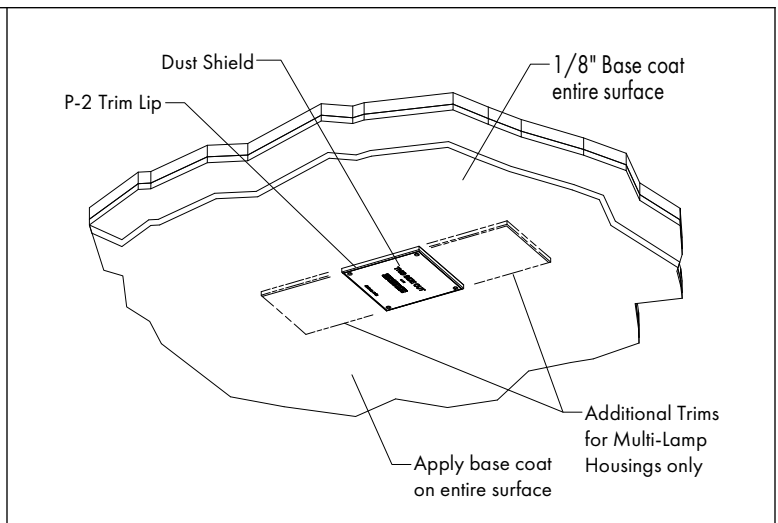


FIG 6.4 Apply Base Ceiling Coat-For P-2 Trims Only

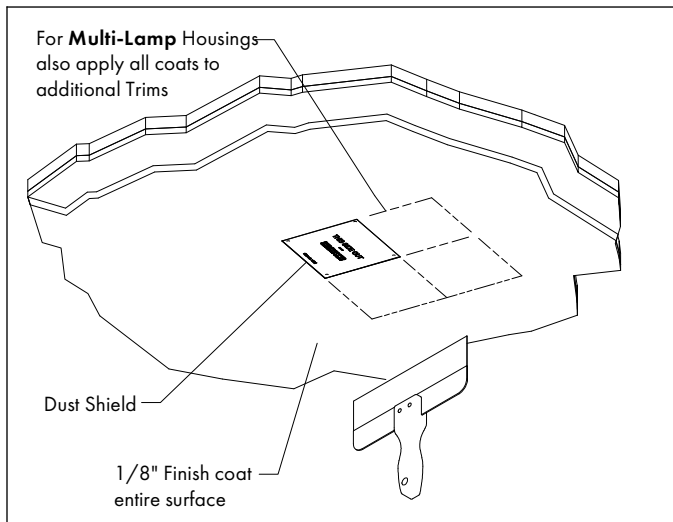


FIG 6.5 Apply Finish Ceiling Coat- For P-2 Trims Only

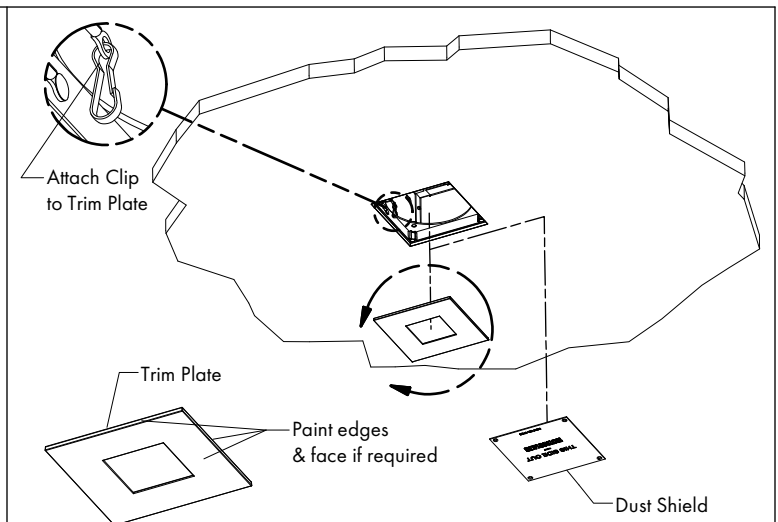


FIG 6.6 Replace Dust Shield with Trim Plate

TRIM INSTALLATION - SHEETROCK/PLASTER CEILINGS - SECTION VIEWS

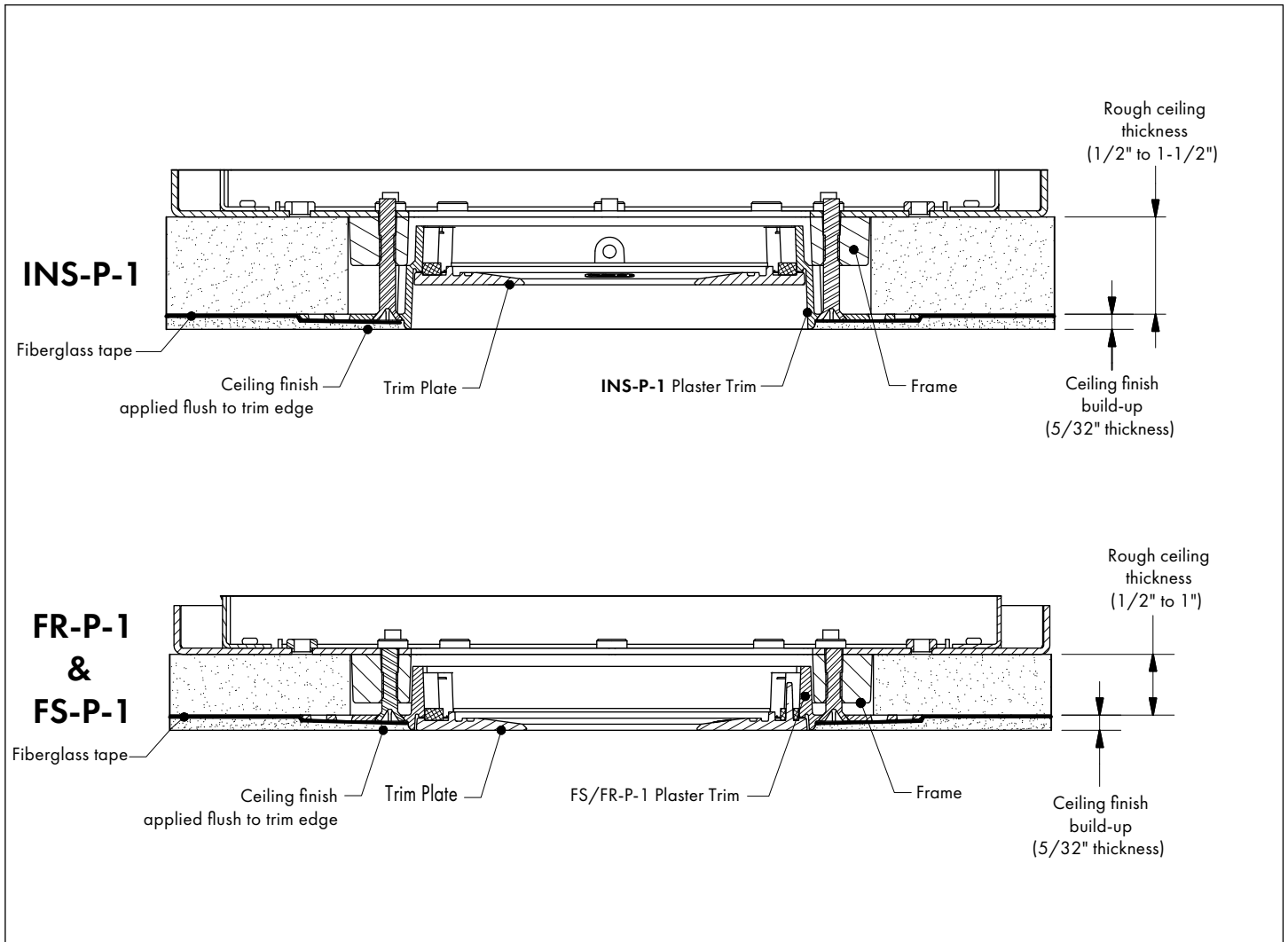


FIG 7.1 Trim Type P-1 - Finished Ceiling Section Views

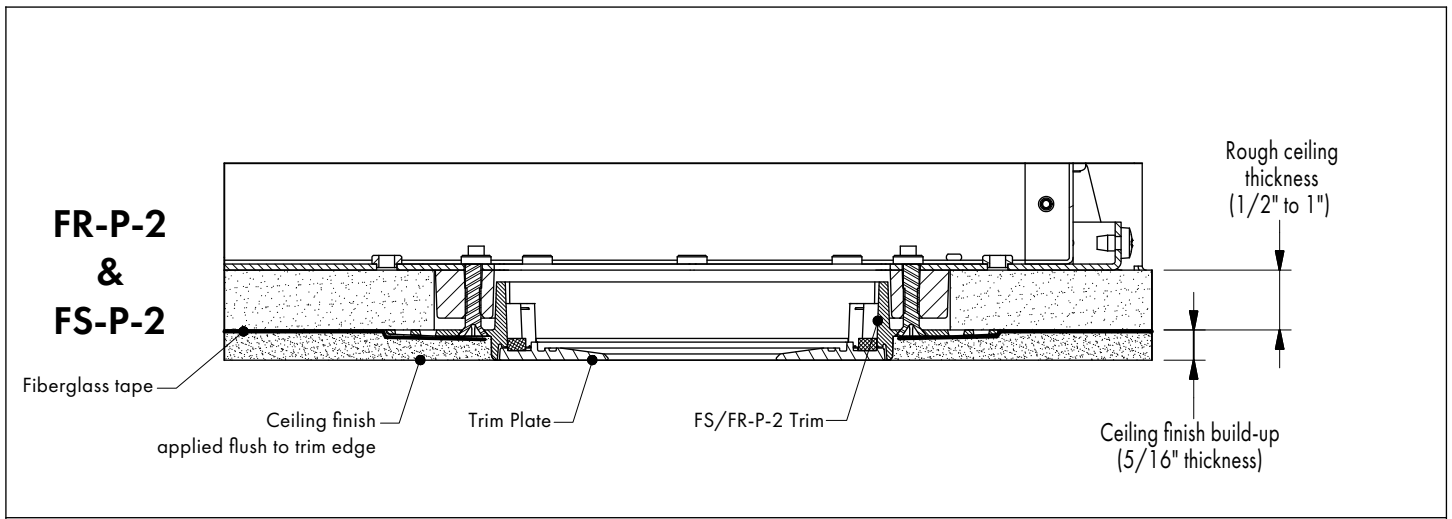


FIG 7.2 Trim Type P-2 - Finished Ceiling System Section View

SQUARE TRIM INSTALLATION - WOOD/STONE/ACCOUSTIC TILE CEILINGS

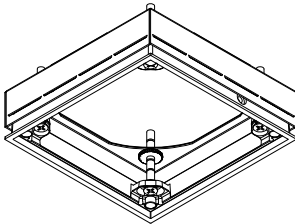
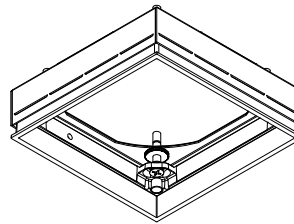
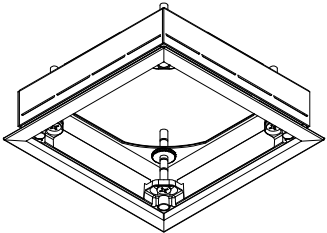
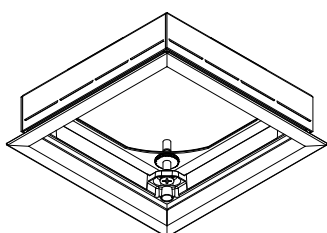
IMPORTANT: Not for use with 804D Series housings

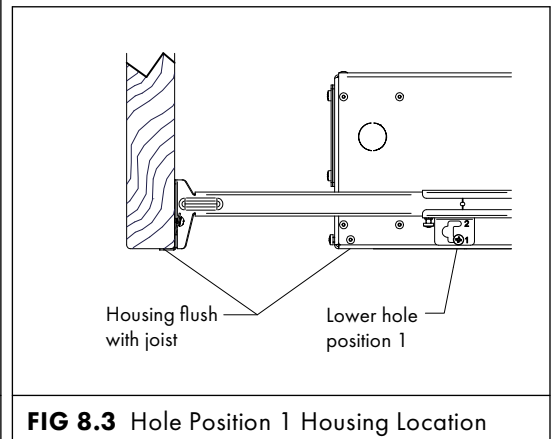
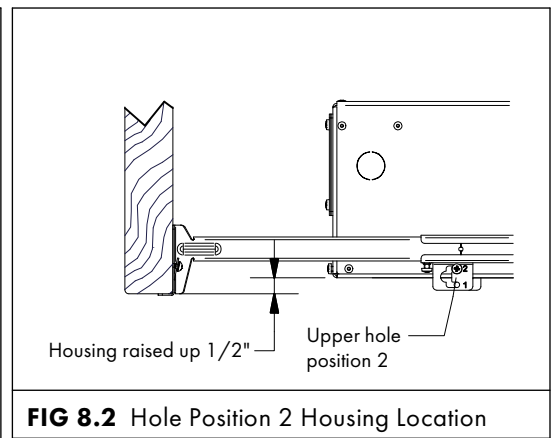
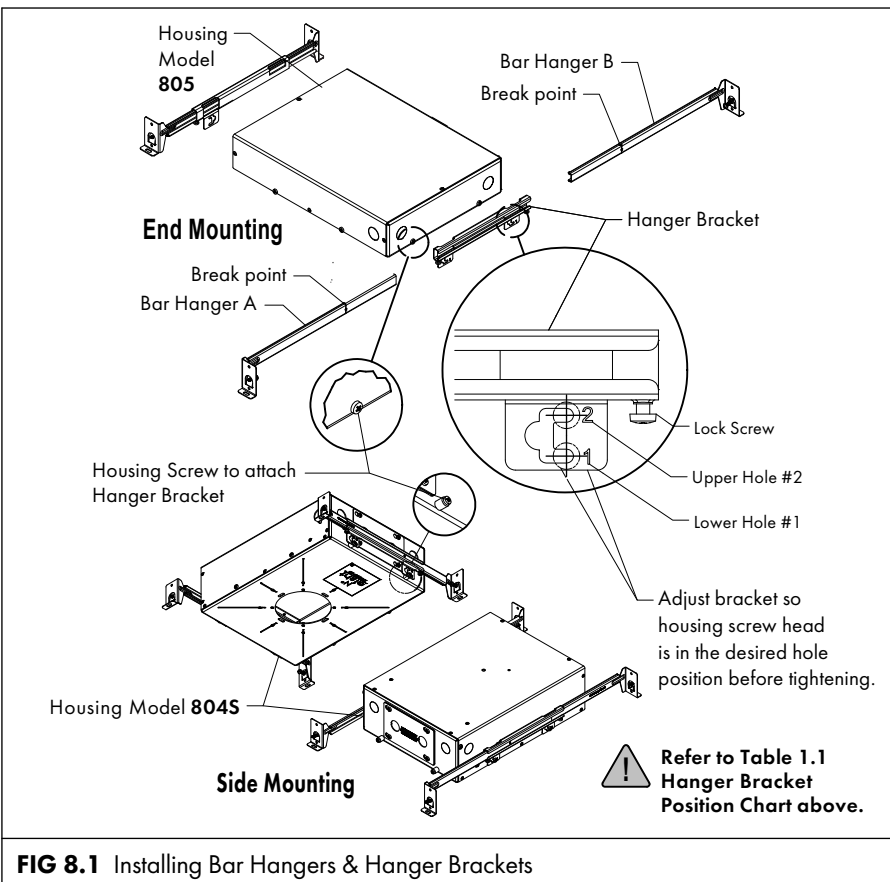
STEP 1 Determine which Trim Kit model below is specified for use on housing. Check Bar Hanger Bracket position on housing according to **Table 8.1, FIG 8.1 & 8.2.**
STEP 2 Adjust Bar Hanger Bracket position as needed - **FIG 8.1, 5.2 & 5.3.**

CAUTION: Housing must be installed in correct height position for Trim model before installing Trim Kits. Be sure to select correct Hanger Bracket hole position for intended Trim assembly. Changing hole position is not possible after ceiling is installed.

- ▶ For ceiling cutout details - see **Page 9**
- ▶ For Trim assembly & adjustment details - see **Page 10**
- ▶ For Trim installation details - see **Page 11**

Trim Styles	For Ceiling Thickness Range	Position #
FS-W, FLS-W	1/4" to 3/4"	Upper (#2)
	3/4" to 1-1/2"	Lower (#1)
INS-W, FLINS-W	1/2" to 1"	Upper (#2)
	1" to 1-1/2"	Lower (#1)

Wood/Stone Trim Kit Models		
	For Flush Fit Trim Plates	For Inset Fit Trim Plates
Non-Flanged	<p>FS-W</p> 	<p>INS-W</p> 
Flanged	<p>FLS-W</p> 	<p>FLINS-W</p> 

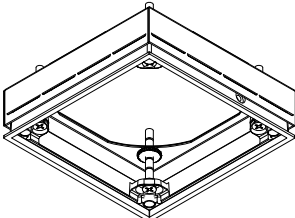
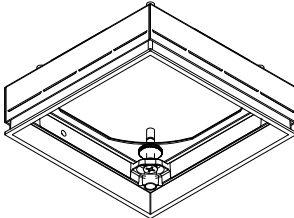
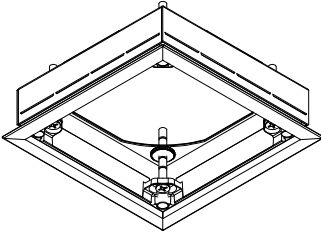
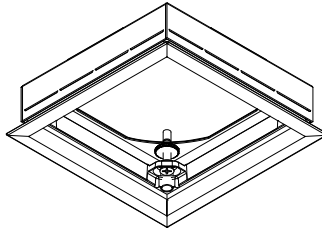


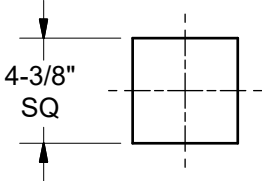
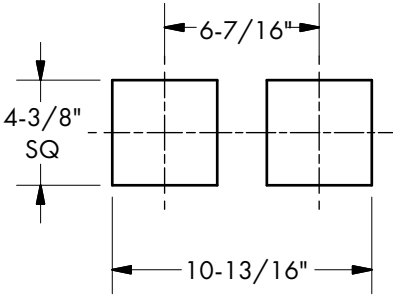
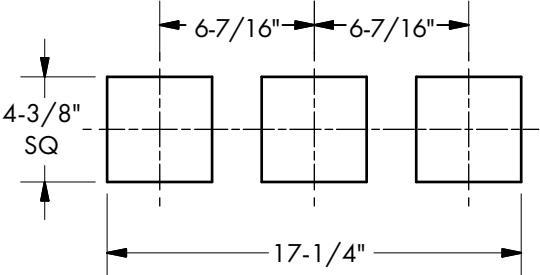
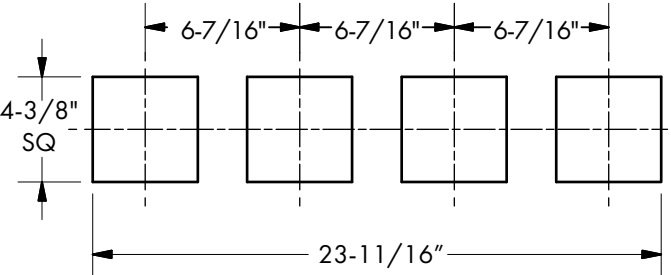
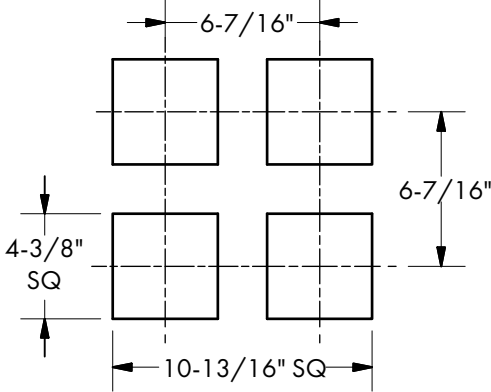
SQUARE TRIM INSTALLATION - WOOD/STONE/ACCOUSTIC TILE CEILING CUTOUTS

STEP 1 Accurately measure cutout location for housing aperture centers & mark centers in ceiling board.

STEP 2 Cut openings in ceiling board as dimensioned below.

! **IMPORTANT:** Cutout location accuracy is critical, always double check measurements before cutting.

		Square Trims			
		Non-Flanged		Flanged	
Trim Type					
	FS-W	INS-W	FLS-W	FLINS-W	
<p>IMPORTANT - For Non-Flanged trims only: All FS-W & INS-W cutout edges will be exposed after assembly & must be sharp & clean.</p>					

Lamp Housing		
	1 Lamp Housing	2 Lamp Housing
Lamp Housing		
	3 Lamp Housing	4 Lamp Housing
Lamp Housing		<div style="border: 1px solid black; padding: 10px; width: fit-content; margin: auto;"> <p>Square Cutout tolerances:</p> <p>FS-W $\pm 1/32$"</p> <p>INS-W $\pm 1/32$"</p> <p>FLS-W $+1/8$"-$1/16$"</p> <p>FLINS-W $+1/8$"-$1/16$"</p> <p>CTR to CTR $\pm 1/32$"</p> </div>
	4 Lamp Housing	

SQUARE TRIM INSTALLATION - WOOD/STONE/ACCOUSTIC TILE CEILINGS

- STEP 3** If painting is required, temporarily separate Light Shield & Retainer Gasket from Trim Kit & paint Trim & Trim Plate (see note in **FIG 10.1**).
- STEP 4** Before installing, rough adjust Trim Kit height to approximate ceiling-to-Housing depth. Use Screws & Round Nuts to set rough height of Trim - **FIG 10.1 & 10.2**.
- Note:** For some installations the Light Shield will need to be shortened in height. To shorten Light Shield simply snap off short perforated edges on all sides by repeatedly bending them back & forth. Straighten remaining sides of Light Shield by hand bending if warped - **FIG 10.2**.
- STEP 5** To reduce possibility of light leak, apply Stickers over unused holes & slots as shown - **FIG 10.3**.

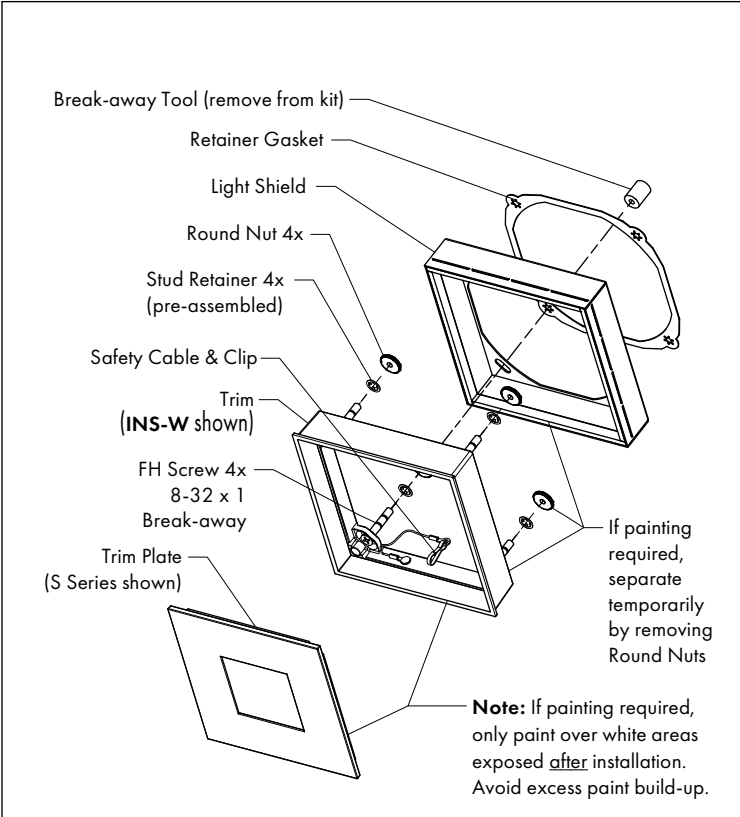


FIG 10.1 Trim Kit Assembly

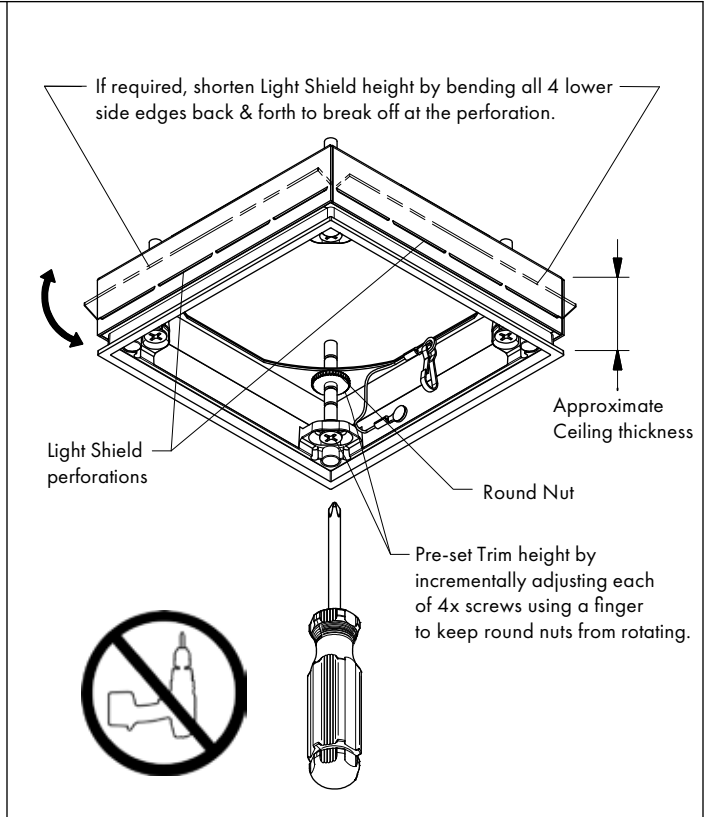


FIG 10.2 Pre-adjust Trim Kit Height

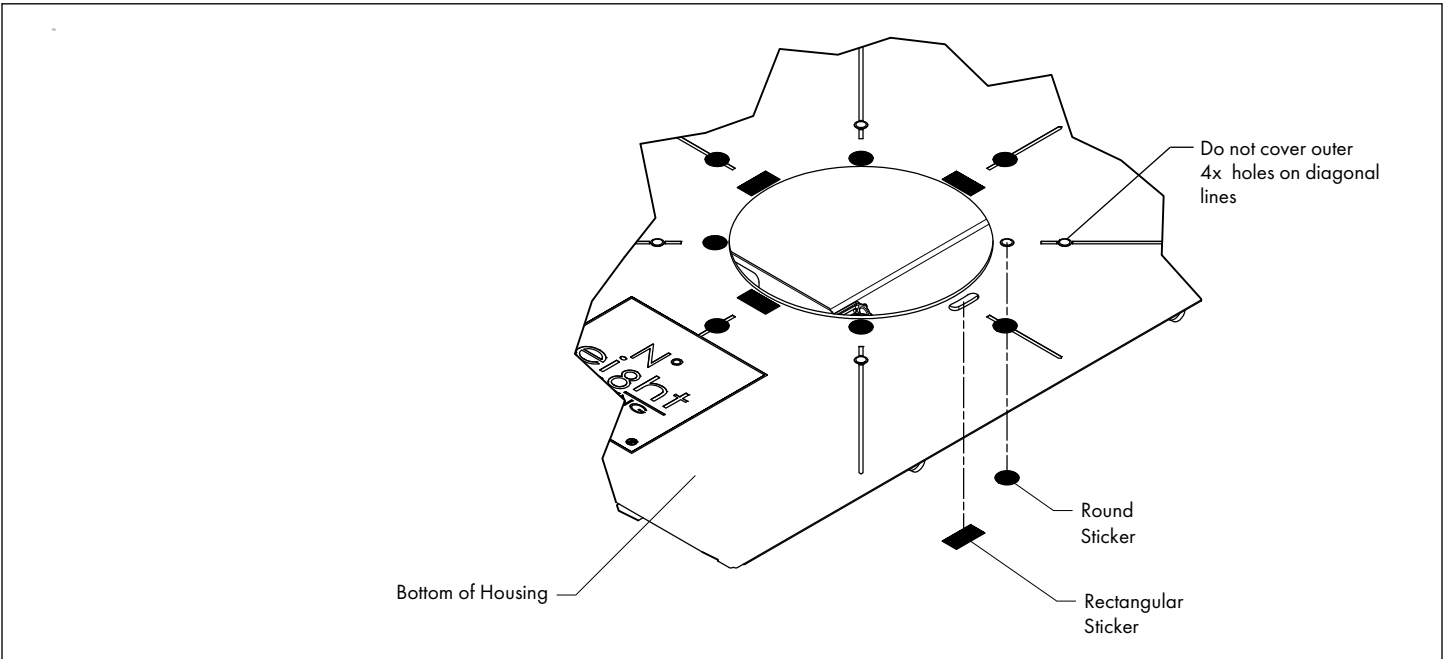


FIG 10.3 Add Stickers to Housing Aperture Holes & Slots

SQUARE TRIM INSTALLATION - WOOD/STONE/ACCOUSTIC TILE CEILINGS

CAUTION: Be sure Round Nuts are not locked against Trim or Housing during installation & adjustment.

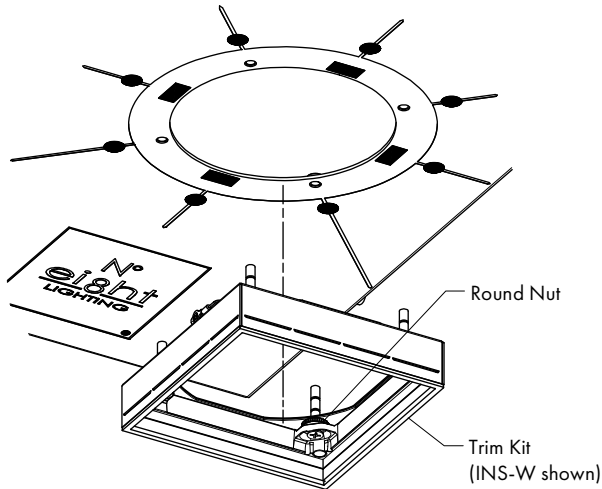
Use Phillips type screwdriver only! Do not use power driver on Break-away Screws!

STEP 6 Position Trim Kit so Break-away Screws line up with Housing holes & attach to Housing by fastening each of the 4 Break-away Screws in small, equal increments to avoid binding - **FIG 11.1**.

STEP 7 After completing height adjustment, break off Break-away Screw sections as needed to avoid interference with A & B lamping modules - **FIG 11.3**.

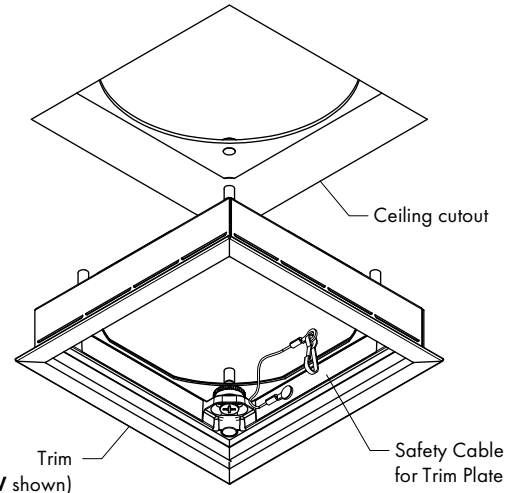
Adjustment Notes: Adjust each screw until Trim is level with ceiling & secure Trim position by hand tightening Round Nuts against Light Shield - **FIG 11.3**.

Slots in Trim screw bosses permit 6 deg of adjustment for aligning Trim Kit with ceiling opening, walls & other fixtures - **FIG 11.3**.



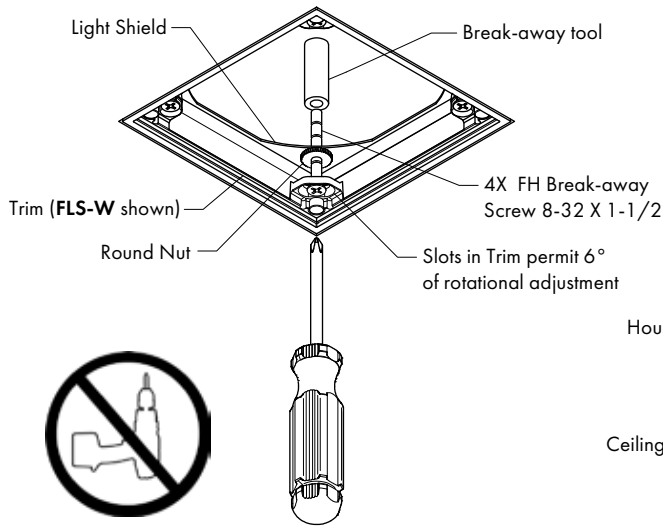
Note: FS-W & INS-W Trim Kits can be attached to Housing with or without ceiling already installed (Single Lamp Housing shown)

FIG 11.1 FS-W & INS-W



Note: FLS-W & FLINS-W Trim Kits must be attached after ceiling is installed.

FIG 11.2 FLS-W & FLINS-W



Note: After installing Trim to housing, fine adjust Trim Kit height level with ceiling then Snap off un-needed screw sections using Break-away tool supplied.

CAUTION: Be sure to check that Trim is set to correct height for Housing before breaking off Screws. No more than 1 screw section should be visible above Light Shield to avoid interference with adjustable lamp modules.

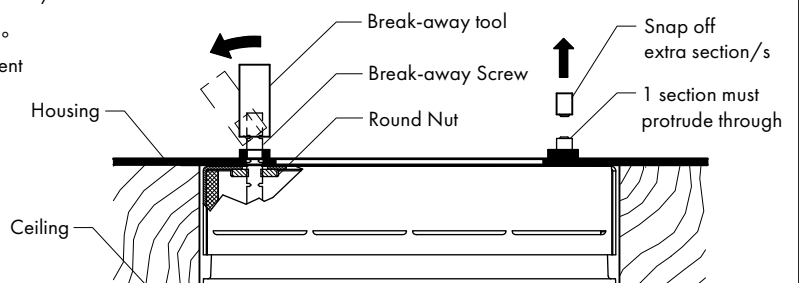


FIG 11.3 Fine adjust Trim Kit height & Break-away Screw height after installation

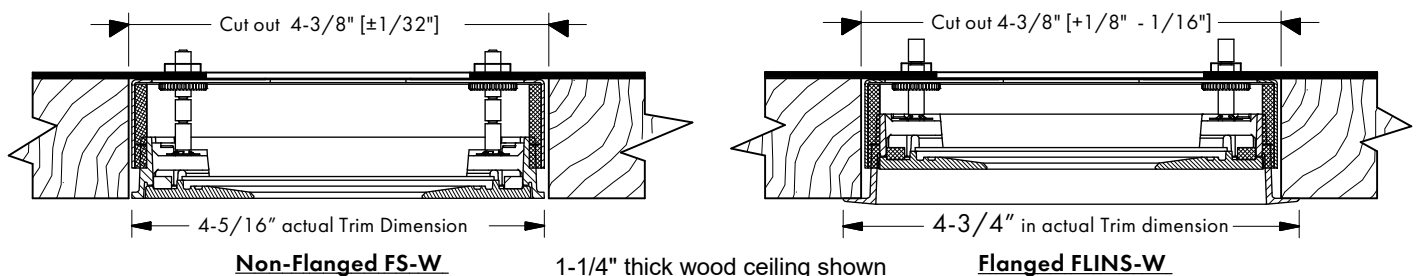


FIG 11.4 Section Views

ROUND TRIM INSTALLATION - WOOD/STONE/ACCOUSTIC TILE CEILINGS

IMPORTANT: Not for use with 804D Series housings

STEP 1 Determine which Trim Kit model below is specified for use on housing.
Check Hanger Bracket position & Mounting Ring type according to **Table 1.1**.
STEP 2 Adjust Hanger Bracket position as needed - **FIG 12.1, 12.2 & 12.3**.

CAUTION: Housing must be installed in correct height position for Trim model before installing Trim Kits. Be sure to select correct Hanger Bracket hole position for intended Trim assembly. Changing hole position is not possible after ceiling is installed.

- ▶ For ceiling cutout details - see **Page 13**
- ▶ For Trim assembly & adjustment details - see **Page 14**
- ▶ For Trim installation details - see **Page 15**

Table 1.1 Hanger Bar Bracket Position Chart

Trim Styles	Mounting Ring	For Ceiling Thickness Range	Position #
FR-W, FLR-W	Standard	1" to 1-1/2"	Lower (#1)
		1/2" to 1"	Upper (#2)
INR-W, FLINR-W	Short	1" to 1-1/4"	Lower (#1)
		1/2" to 3/4"	Upper (#2)
	Tall	1-1/4" to 1-1/2"	Lower (#1)
		3/4" to 1"	Upper (#2)

Trim Kit Models

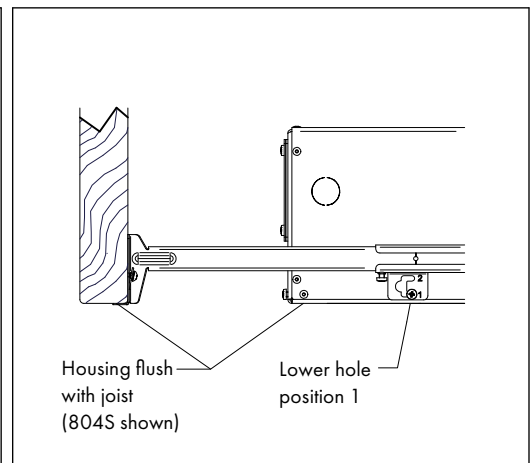
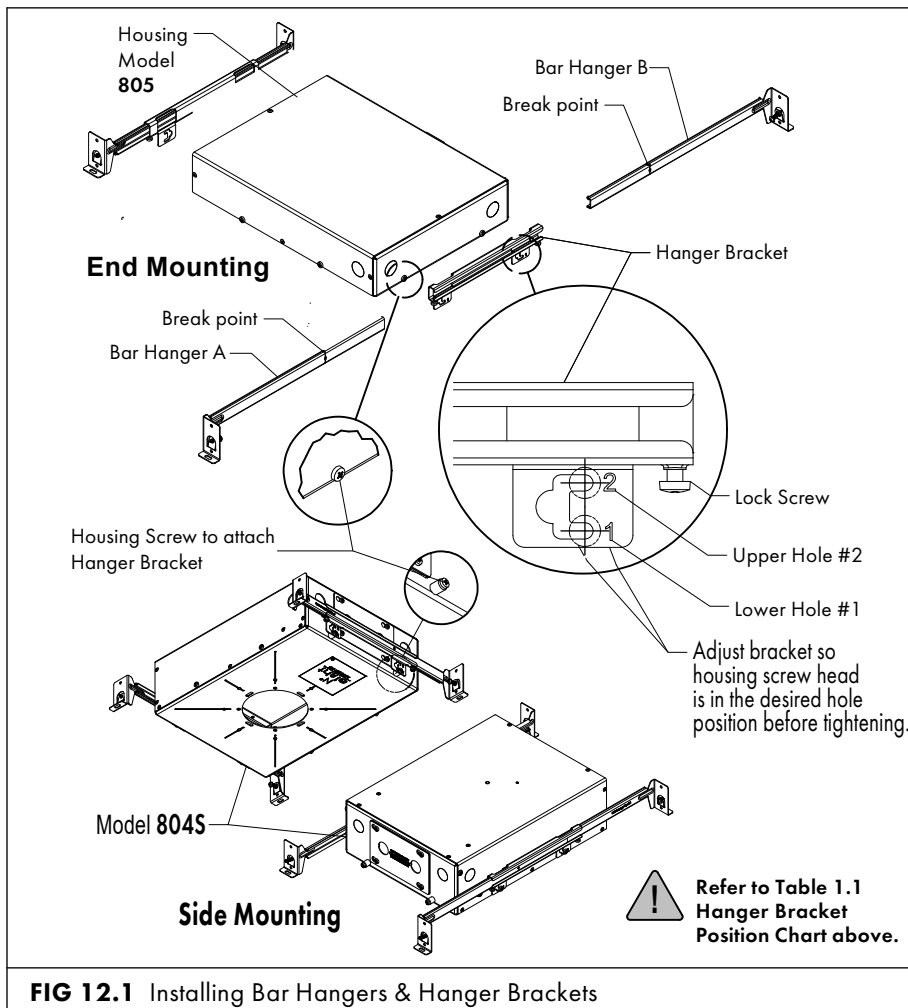
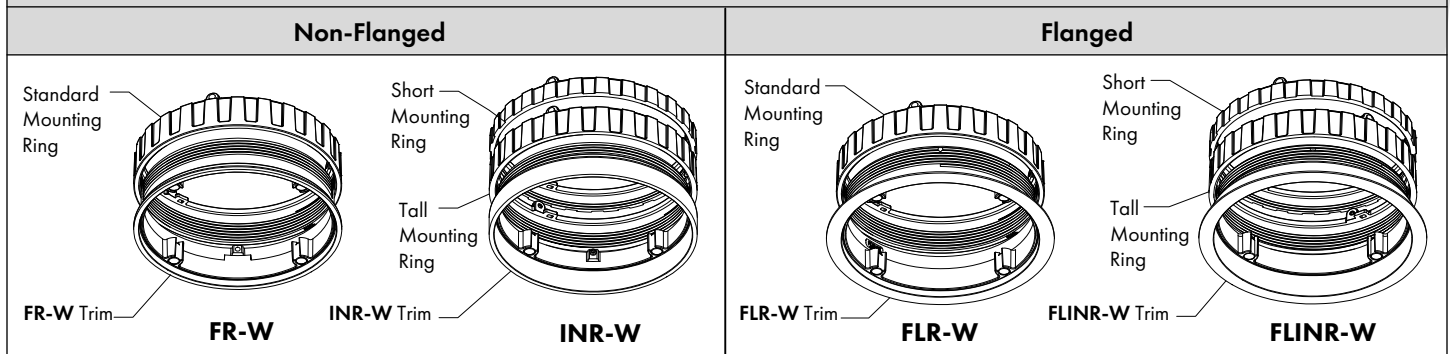


FIG 12.2 Hole Position 1 Housing Location

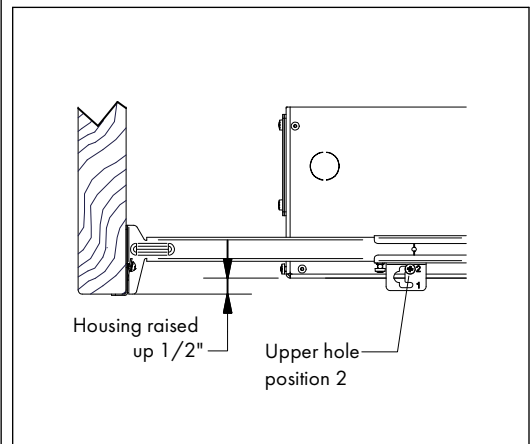


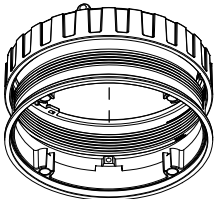
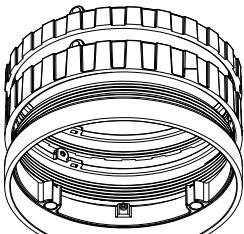
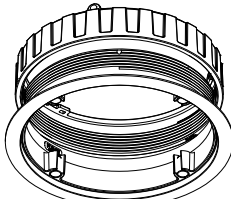
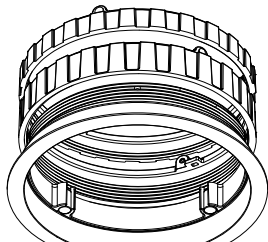
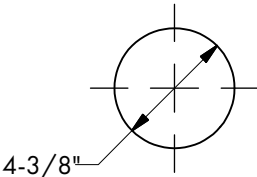
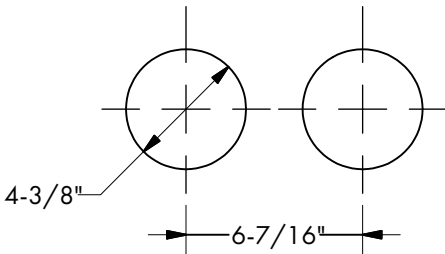
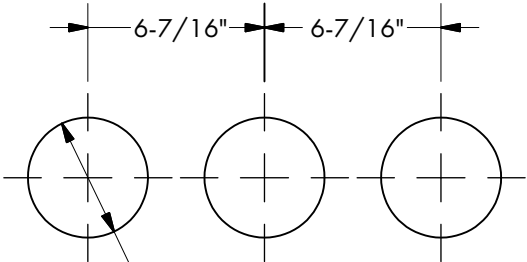
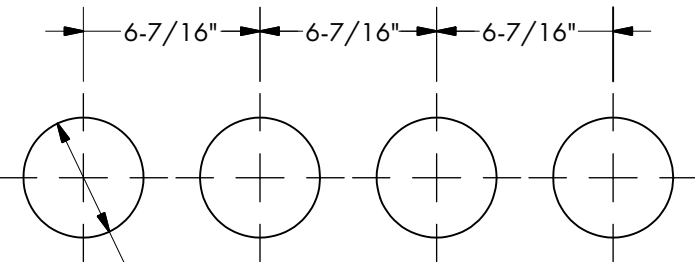
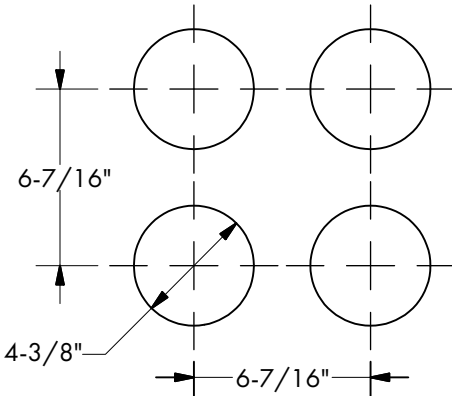
FIG 12.3 Hole Position 2 Housing Location

ROUND TRIM INSTALLATION - WOOD/STONE/ACCOUSTIC TILE CEILING CUTOUTS

STEP 1 Accurately measure cutout location for housing aperture centers & mark centers in ceiling board.

STEP 2 Cut openings in ceiling board as dimensioned below.

⚠ IMPORTANT: Cutout location accuracy is critical. Always double check measurements before cutting.

		Round Trim Models			
		Non-flanged		Flanged	
Trim Type					
		FR-W	INR-W	FLR-W	FLINR-W
		<p>IMPORTANT- For Non-Flanged trims only: The cutout edges will be exposed after trim installation & must be sharp & clean.</p>			
1 Lamp					
		4-3/8"			
2 Lamp					
		4-3/8" 6-7/16"			
3 Lamp					
		6-7/16" 6-7/16" 4-3/8"			
4 Lamp					
		6-7/16" 6-7/16" 6-7/16" 4-3/8"			
4 Lamp Quad					
		6-7/16" 4-3/8" 6-7/16"			
		<p>Round Cutout tolerances: FR-W / INR-W ± 1/32" FLR-W / FLINR-W +1/8"-1/32" CTR to CTR ± 1/32"</p>			

ROUND TRIM INSTALLATION - WOOD/STONE/ACCOUSTIC TILE CEILINGS

STEP 1 To reduce possibility of light leak, apply round & rectangular Stickers over unused holes & slots around each housing aperture as shown (prior to installing ceiling) - **FIG 14.1**.

STEP 2 If required, paint Trim & Trim Plate (see note in **FIG 14.3**).

STEP 3 Insert Mounting Ring lip fully into Housing & fasten with 3x Set Screws using allen key supplied - **DO NOT OVERTIGHTEN**. Mounting Ring can be installed with or without ceiling in place - **FIG 14.2**.

Note: After Trim installation (**FIG 14.3**) the Mounting Ring may need to be rotated to align the Trim - See **FIG 14.1, 14.2 & 14.3**.

STEP 4 Thread Trim into Mounting Ring. For **FR-W** & **INR-W** versions, adjust height to be level with ceiling. For **FLR-W** & **FLINR-W** versions, flange must seat flush to ceiling - **FIG 14.3 & FIG 14.5**.

STEP 5 Lock Trim height with Set Screw - **FIG 14.4**.

STEP 6 Attach Trim Plate Safety Cable to Mounting Ring - **FIG 14.3**.

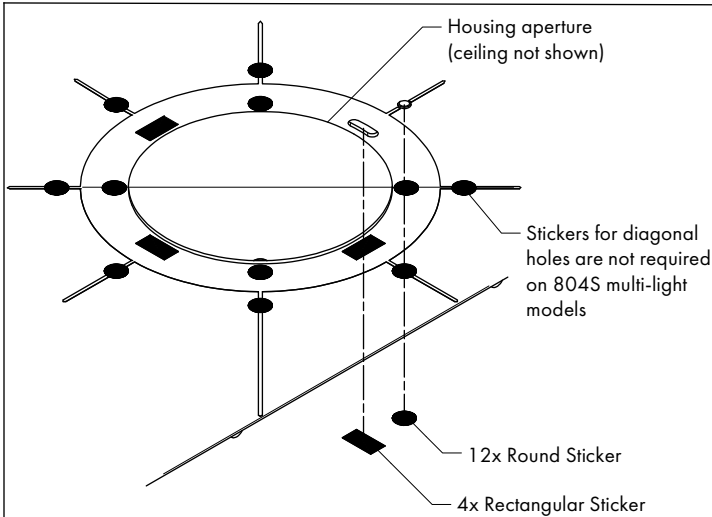


FIG 14.1 Install Housing Stickers

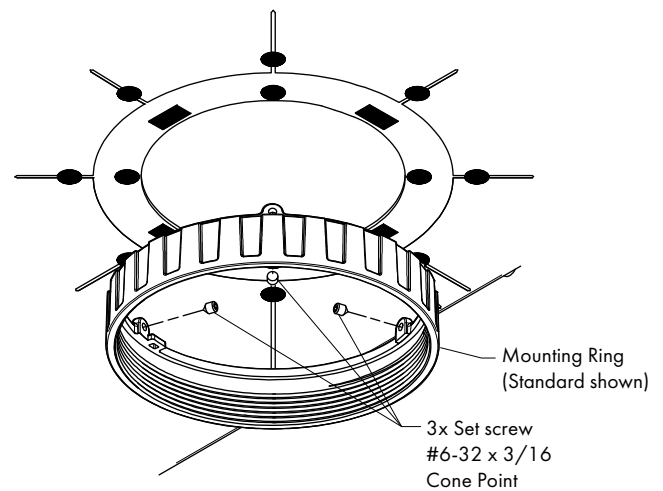


FIG 14.2 Install Mounting Ring

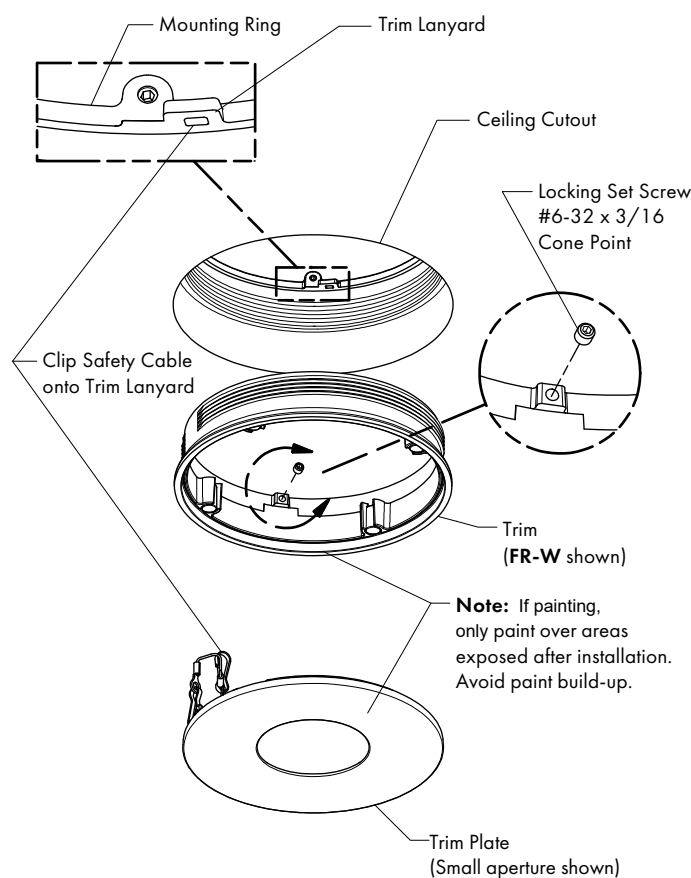


FIG 14.3 Install Trim & Trim Plate

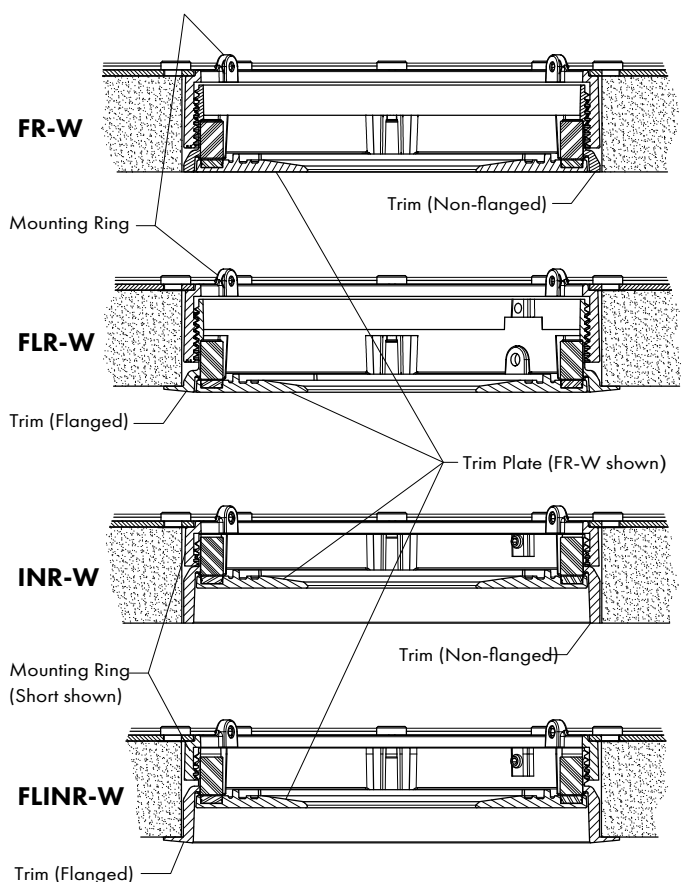


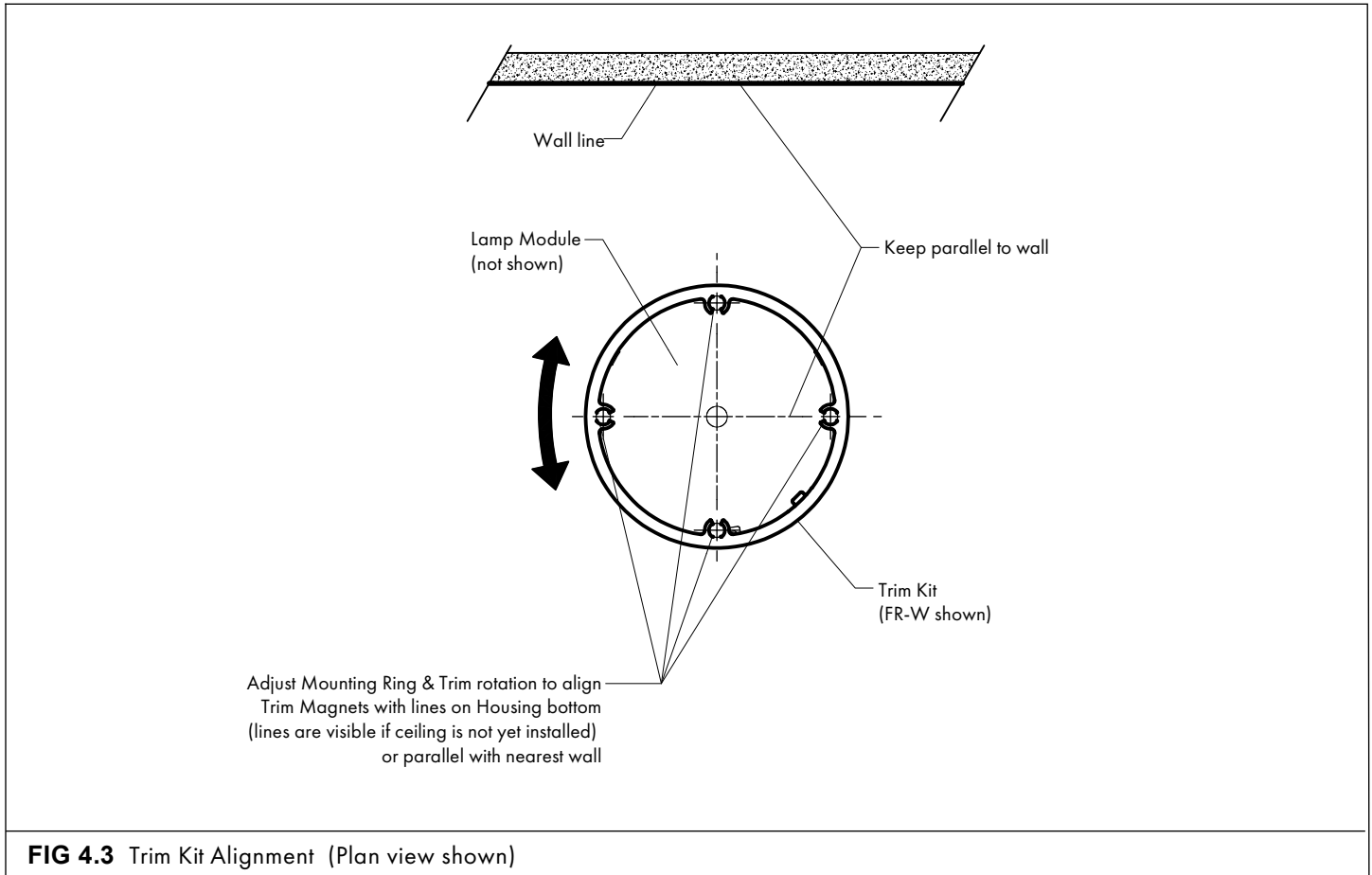
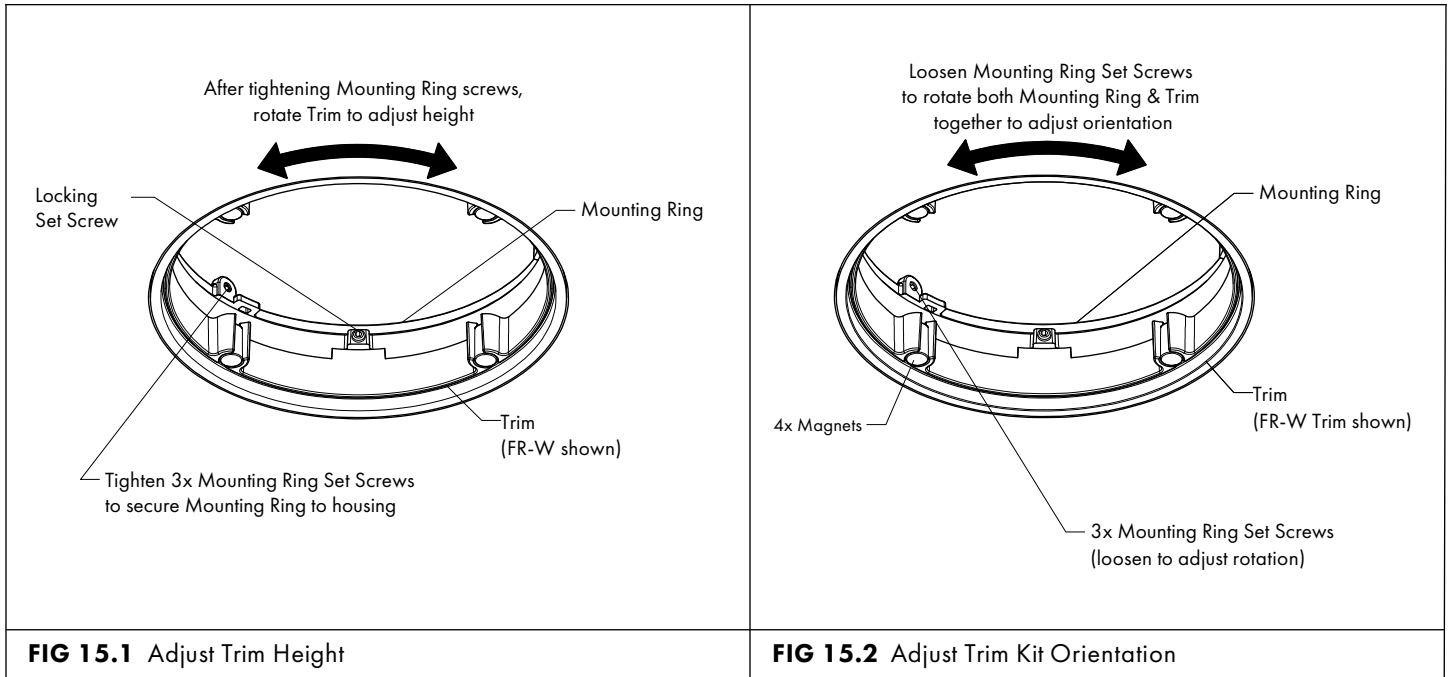
FIG 14.5 Ceiling Section Views

ROUND TRIM INSTALLATION - WOOD/STONE/ACCOUSTIC TILE CEILINGS

STEP 7 Adjust Trim to correct height (flush with ceiling) & secure height with Locking Set Screw - **FIG 15.1**.

STEP 8 Adjust Trim orientation so Magnets are in line with housing alignment lines (or nearest wall). After locking Trim height, loosen 3x Mounting Ring Set Screws slightly & rotate Mounting Ring so Trim magnets are oriented inline with nearest wall or housing lines as shown in **FIG 15.2 & FIG 15.3**.

STEP 9 Re-tighten 3x Mounting Ring Set Screws - **DO NOT OVERTIGHTEN** - **FIG 15.1**.





www.8lighting.com

Number Eight Lighting Company

526 Portal Street, Cotati, CA 94931

Phone (707) 794-0888 • Email customerservice@8lighting.com