



**800 SERIES**  
**805 SUPER SHALLOW**  
INSTALLATION INSTRUCTIONS



SCAN QR CODE FOR INSTRUCTIONS

**WARNING:** Read and understand these instructions completely before installation. To be installed by qualified electricians only. Products should be installed in accordance with these instructions, local electrical codes, and the National Electric Code (NEC). These products may represent a possible shock or fire hazard if improperly installed.

**CAUTION:** Disconnect power at circuit breaker or fuse panel before installation or servicing. Always allow LED assembly to cool before servicing. Do not connect or disconnect LED lamp module wire connector when fixture is energized as this may result in permanent damage to the LED. Do not install where insulation or ambient temperatures will exceed maximum values noted in product specifications. See [www.8lighting.com](http://www.8lighting.com) for current product specifications.

**NOTE:** Number Eight Lighting fixtures are designed to meet the latest NEC requirements and are listed in full compliance with UL standards. Before attempting installation, check your local electrical code which sets the wiring standards and installation requirements for your locality and should be understood before starting work.

**SAVE THESE INSTRUCTIONS.**

## TABLE OF CONTENTS

	<b>PAGE</b>
HOUSING INSTALLATION - BAR HANGER MOUNTING.....	1-2
HOUSING INSTALLATION - PANEL MOUNTING BRACKET.....	3
HOUSING INSTALLATION - T-BAR MOUNTING.....	4
HOUSING INSTALLATION - BUTTERFLY BRACKET MOUNTING.....	5
CEILING CUT-OUTS - PLASTER/SHEETROCK/WOOD/STONE CEILINGS.....	6
J5 LAMP MODULE ADJUSTMENT, REMOVAL & REPLACEMENT.....	7
J5 LAMP MODULE VERTICAL AIMING RANGE.....	8-9
K5 & W5 LAMP MODULE ADJUSTMENT, REMOVAL & REPLACEMENT.....	10
J5 & W5 LAMP MODULE WALL WASH ADJUSTMENT.....	11
POWER SUPPLY ACCESS & REPLACEMENT.....	12-13
WIRING INSTRUCTIONS .....	14
WIRING DIAGRAMS .....	15-16

# HOUSING INSTALLATION

## Bar Hanger Mounting

**STEP 1** Important: Before attaching Hanger Brackets you must determine Trim Model to be used (refer to Trim Types on Page 2). Select upper or lower Bracket hole position (refer to **Table 1.1 Hanger Bracket Position Chart**).

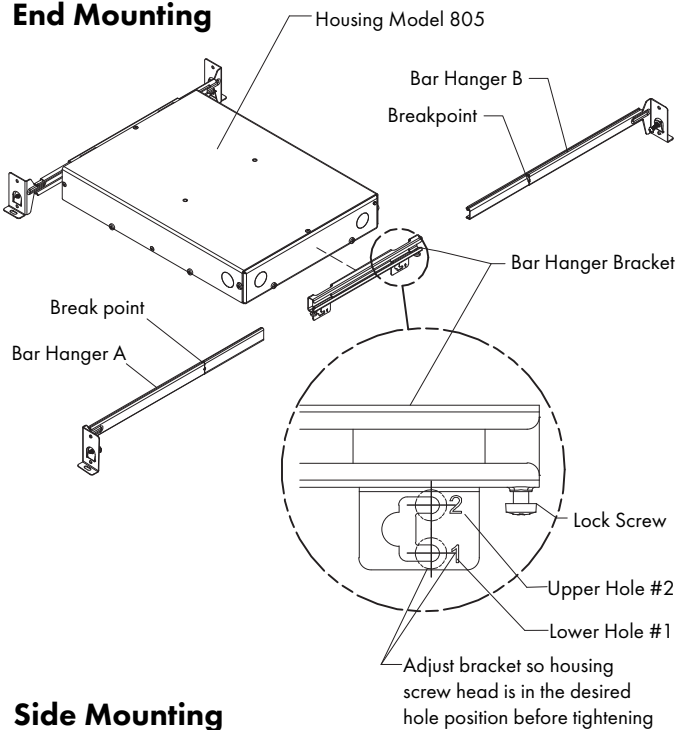
**Note:** Ceiling thickness is measured from bottom face of ceiling joist to bottom face of ceiling. Refer to **800 Series** trim installation instructions for additional details - see [www.8lighting.com/resources-downloads/](http://www.8lighting.com/resources-downloads/).

**STEP 2** Loosen 2 screws slightly on Housing to attach or adjust each Hanger Bracket. Position Hanger Bracket in hole position #1 or #2 and secure screws – **FIG 1.1** and **1.2**.

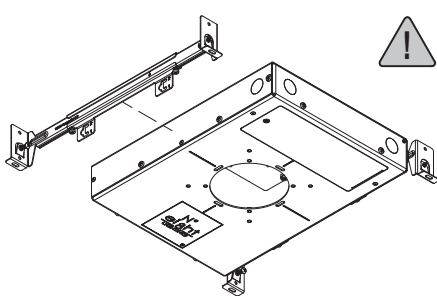
**STEP 3** Assemble Bar Hanger A and B through each Hanger Bracket to slide onto each other. The ends should have 1" minimum overlap.

**Note:** Bar Hangers can be shortened at break locations shown – **FIG 1.1**.

### End Mounting



### Side Mounting



**Refer to Table 1.1 above.**

### CAUTION:

Be sure to select correct hole position for intended Trim assembly. Changing hole position is not possible after ceiling is installed.

**FIG 1.1** Installing Bar Hangers and Hanger Brackets

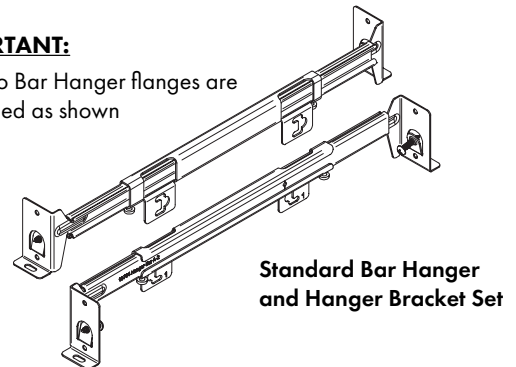
**Table 1.1 Bar Hanger Bracket Position**

800 Series Trim Models	For Ceiling Thickness Range	Hole Position #	
FR-P, FS-P	1/2" to 1"	Lower #1	
INR-P, INS-P, INR-BV-P, INS-BV-P	1/2" to 1"	Upper #2	
	1" to 1-1/2"	Lower #1	
FS-W, FLS-W	1/4" to 3/4"	Upper #2	
	3/4" to 1-1/2"	Lower #1	
INS-W, FLINS-W, INS-BV-W, FLINS-BV-W	1/2" to 1"	Upper #2	
	1" to 1-1/2"	Lower #1	
FR-W, FLR-W	Standard Mounting Ring	1/2" to 1"	Upper #2
		1" to 1-1/2"	Lower #1
INR-W, FLINR-W, INR-BV-W, FLINR-BV-W	Short Mounting Ring	1/2" to 3/4"	Upper #2
		1" to 1-1/4"	Lower #1
	Tall Mounting Ring	3/4" to 1"	Upper #2
		1-1/4" to 1-1/2"	Lower #1

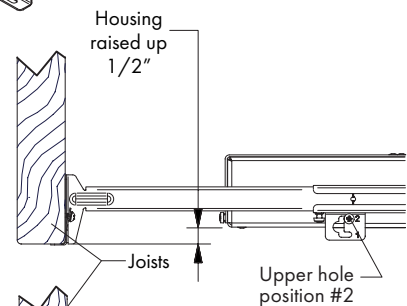
Note: Refer to **Pages 8 & 9** for J5 Lamp Module adjustment angle range.

### IMPORTANT:

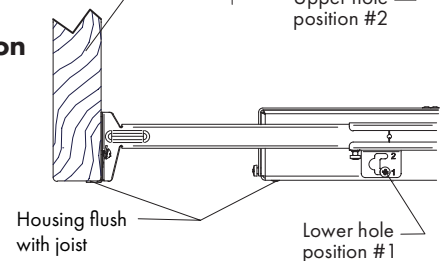
Install so Bar Hanger flanges are positioned as shown



### Hole Position Upper #2



### Hole Position Lower #1



**FIG 1.2** Hole Position and Housing Location

# HOUSING INSTALLATION

## Mounting Housing To Joists and Sticker Application

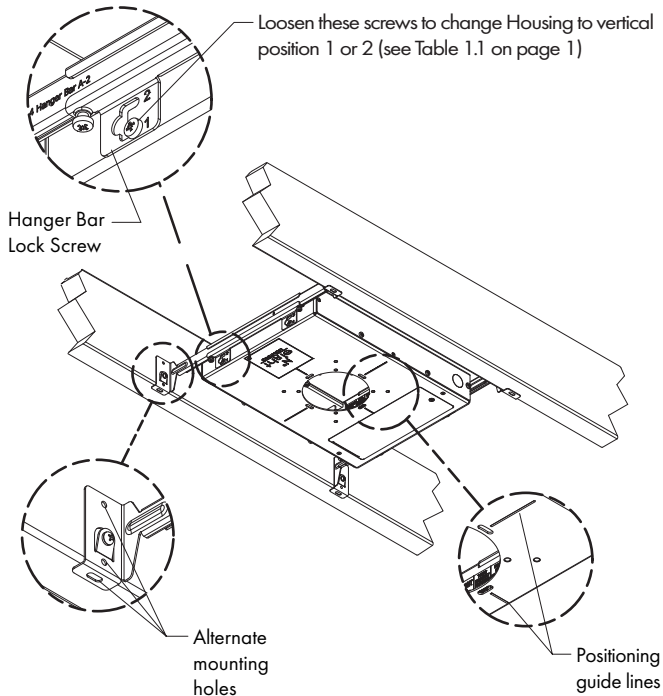
**STEP 1** Spread Hanger Bars to approximate joist spacing. Temporarily secure Lock Screws to keep Housing from sliding along Hanger Bars – **FIG 2.1 & 2.2.**

**Note:** For Sloped Ceilings - Installing Housing so J Box Cover faces wall is recommended for maximum adjustment on applicable Lamp Modules – **FIG. 2.3.**

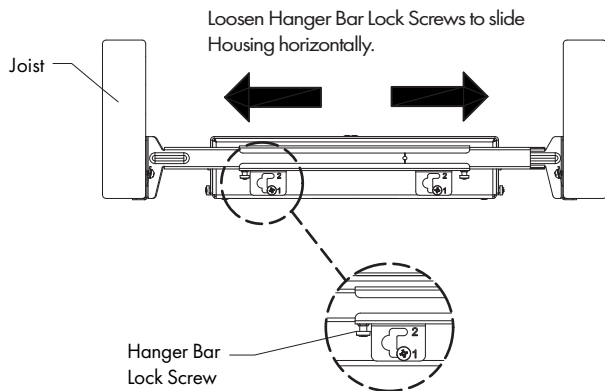
**STEP 2** Secure Housing and Hanger Bar assembly to Joists using either the fasteners supplied on Hanger Bars or fasteners through alternate mounting holes – **FIG 2.1.**

**STEP 3** Reposition Housing along Hanger Bars as needed. Use guide lines to help locate Housing relative to nearby walls or other fixtures – **FIG 2.1 & 2.2.**

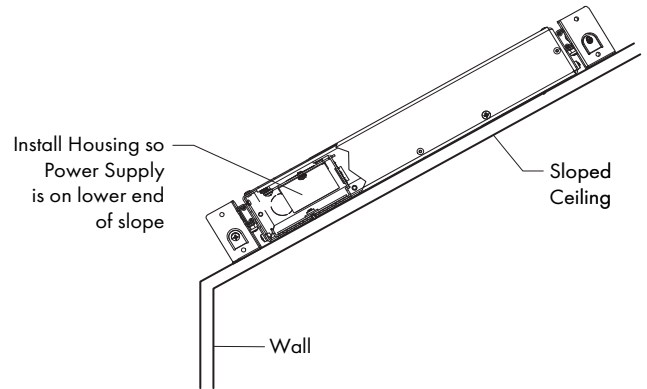
**STEP 4** Apply Stickers over unused holes and slots as shown to prevent light leaks and maintain airtight standards compliance. No caulking required – **FIG 2.4.**



**FIG 2.1** Fastening Housing to joists



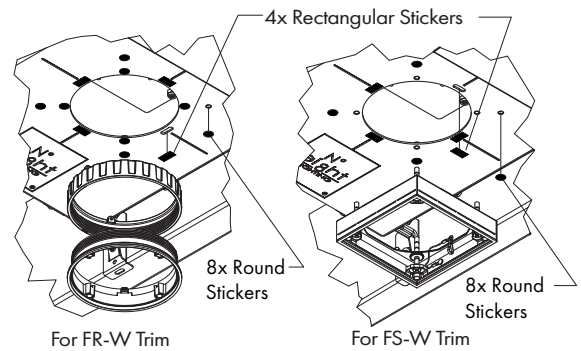
**FIG 2.2** Horizontal Housing adjustment



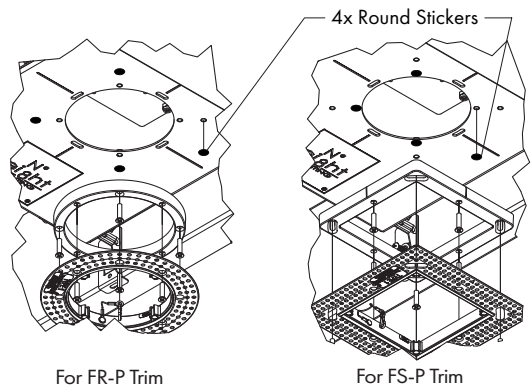
**FIG 2.3** Recommended Sloped Ceiling Orientation

**!** **IMPORTANT** For Airtight Compliance - Stickers are required on all 805 Housings

**Wood / Stone Ceiling**



**Plaster / Sheetrock Ceiling**



**FIG 2.4** Sticker Application

# HOUSING INSTALLATION

## PMB - Panel Mounting Bracket

**CAUTION: Read all instructions completely before proceeding.**

**Important: Before attaching Panel Mounting Brackets you must determine Trim Model to be used (refer to Trim Types on Page 6).**

**Note:** Panel may consist of wood, stone or other structural material. Sheetrock could also be used attached below panel & must be considered part of the overall ceiling thickness.

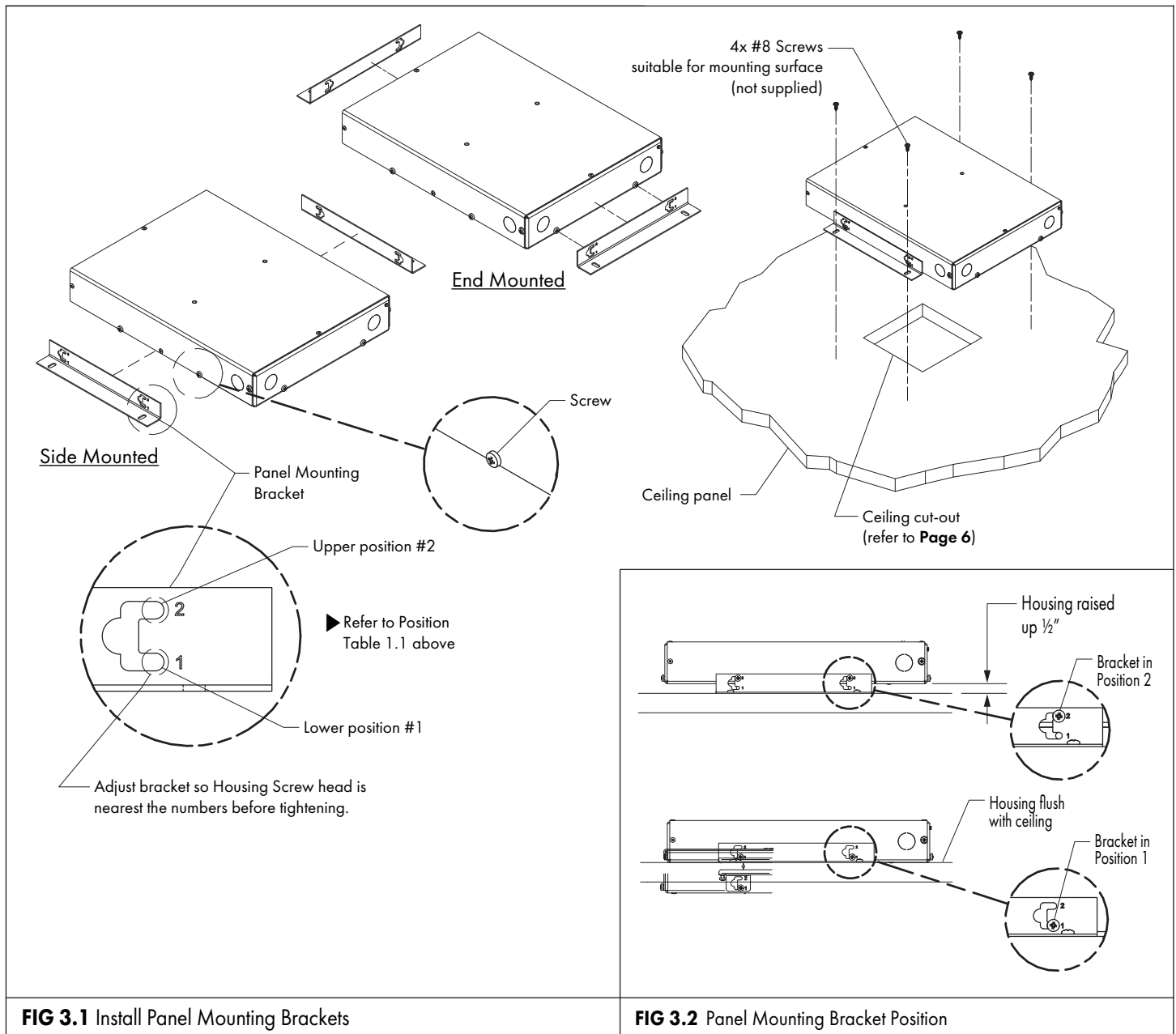
**STEP 1** Select upper or lower Bracket position (refer to Panel Mounting Bracket Position - **Table 3.1** & attach 2x Panel Mounting Brackets to Housing as shown using screws supplied with Housing (use side or end mounting locations as needed) - **FIG 3.1** & **FIG 3.2**

**STEP 2** Locate & cut hole in ceiling panel (refer to Trim types and hole sizes specified on Pages 5) - **FIG 3.1**.

**STEP 3** Align Housing so aperture is centered in ceiling cut-out & secure Panel Mounting Brackets to panel using 4x Screws suitable for mounting surface (not supplied) - **FIG 3.1**.

Table 3.1 Panel Mounting Bracket Position Chart

800 Series Trim Models	For Ceiling Thickness Range	Hole Position #
FR-P, FS-P	1/2" to 1"	Lower #1
INR-P, INS-P, INR-BV-P, INS-BV-P	1/2" to 1"	Upper #2
	1" to 1-1/2"	Lower #1
FS-W, FLS-W	1/4" to 3/4"	Upper #2
	3/4" to 1-1/2"	Lower #1
INS-W, FLINS-W, INS-BV-W, FLINS-BV-W	1/2" to 1"	Upper #2
	1" to 1-1/2"	Lower #1
FR-W, FLR-W	Standard Mounting Ring	1/2" to 1"
		1" to 1-1/2"
INR-W, FLINR-W, INR-BV-W, FLINR-BV-W	Standard Mounting Ring	1/2" to 3/4"
		1" to 1-1/4"
	Tall Mounting Ring	3/4" to 1"
		1-1/4" to 1-1/2"



# HOUSING INSTALLATION

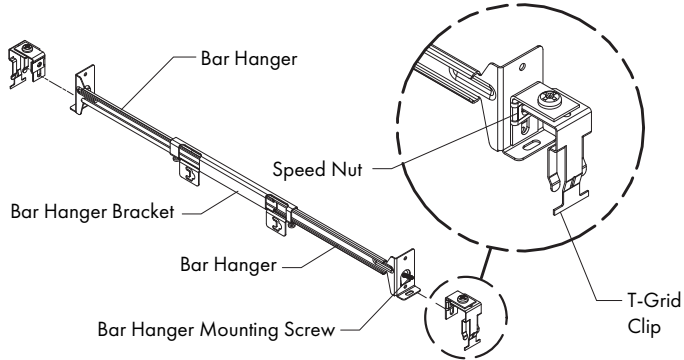
## TBC - T-BAR Clips for T-GRID Mounting with Bar Hangers

**Important:** Before attaching Bar Hangers you must determine Trim Model to be used (refer to Trim Types on Page 6).

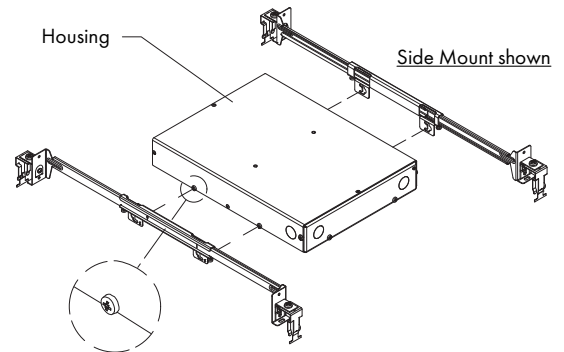
**STEP 1** Pre-assemble T-Grid Clips to Bar Hangers & tighten Bar Hanger Mounting Screws just enough to allow for vertical adjustment of Hanger Bracket - **FIG 4.1**.

**STEP 2** Attach Bar Hanger Brackets to Housing in hole position 1 or 2 to accommodate Trim Model & ceiling tile thickness (refer to Page 3 - Table 3.1) - **FIG. 4.2**.

**CAUTION:** Hanger Bar hole position cannot be changed after ceiling is installed.



**FIG 4.1** Attach T-Grid Clip assemblies to Hanger Bracket Assemblies



**FIG 4.2** Attach Hanger Bracket Assemblies to Housing

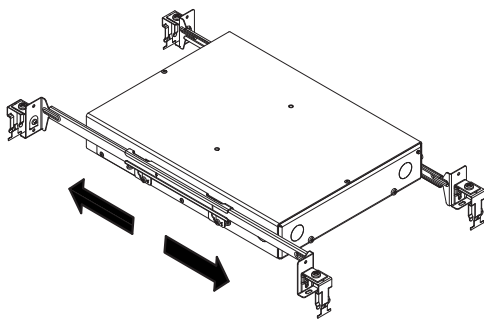
**STEP 3** Extend Hanger bars to position T-Grid Clip assemblies fixture onto T-Grid bars - **FIG 4.4**.

**STEP 4** Determine cut-out location in Ceiling Tile and ensure sufficient clearance for housing installation. Locate & cut hole in Ceiling Tile (refer to Trim Types and hole sizes specified on Page 8). Install Ceiling Tile into T-Grid - **FIG 4.5**.

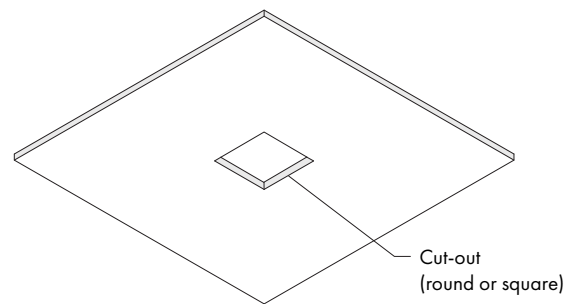
**STEP 5** Attach fixture to T-Grid and adjust horizontal fixture position so Housing aperture is centered with Ceiling Tile opening. Lock fixture into place by tightening the Bar Hanger Lock Screws - **FIG 4.5**.

**STEP 6** Adjust vertical height of Housing by sliding speed nuts so Housing is level with Ceiling Tile. Lock position by tightening Mounting Screws - **FIG 4.6**.

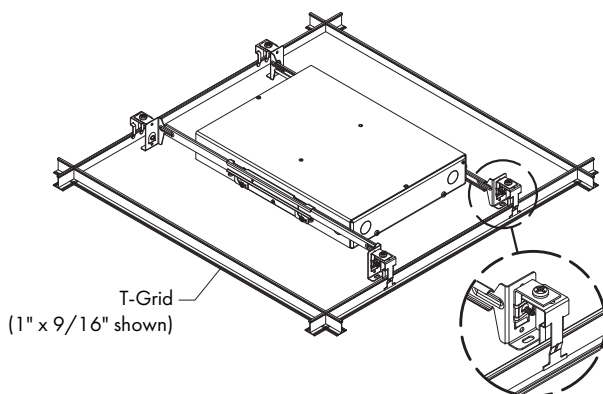
**Note:** Trim will permit a vertical adjustment range to help accommodate Ceiling Tile thickness.



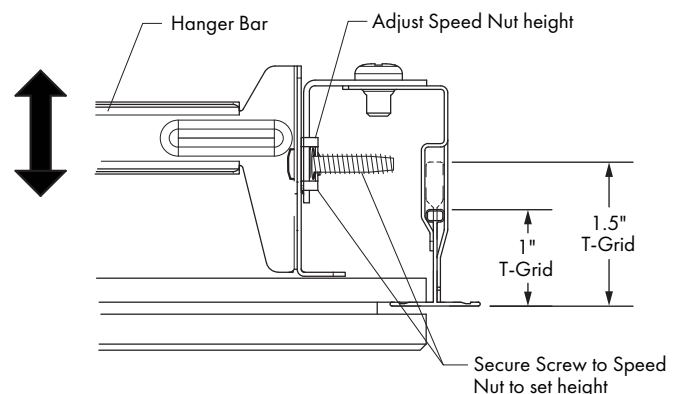
**FIG 4.3** Adjust Hanger Bars



**FIG 4.4** Cut opening in Ceiling Tile



**FIG 4.5** Attach to T-Grid



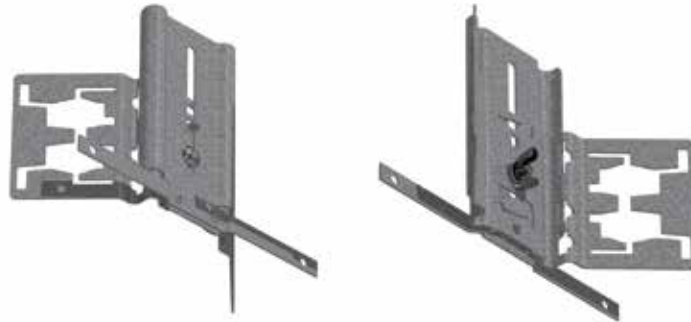
**FIG 4.6** Adjust vertical Housing height

# INSTALLATION INSTRUCTIONS

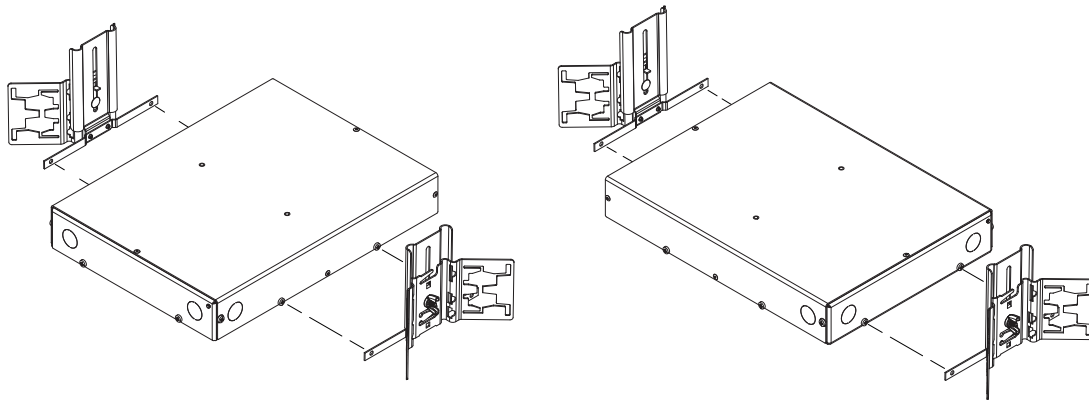
## BB - Butterfly Bracket - For Commercial C-CHANNEL or T-GRID Mounting

**STEP 1** Attach Butterfly Brackets to either ends or sides of mounting frame using existing screws - **FIG 5.2**.

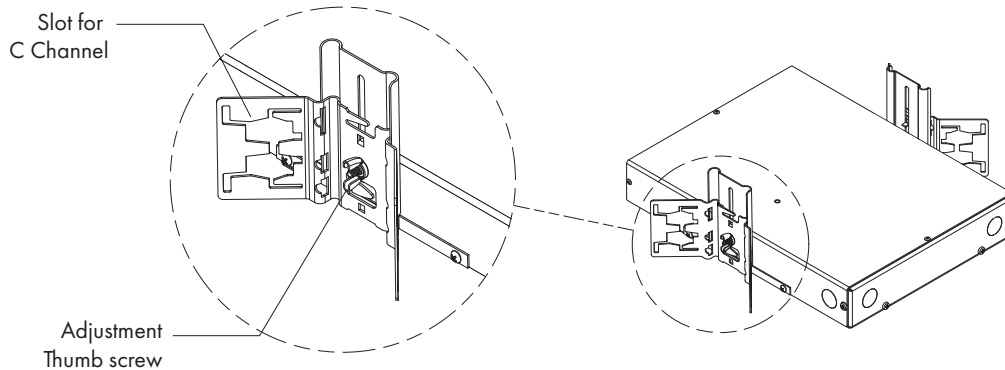
**STEP 2** Slide c-channel or bar through bracket and adjust height with thumb screw - **FIG 5.3**.



**FIG 5.1** Butterfly Brackets (1 Set)



**FIG 5.2** Butterfly Bracket/Housing Position

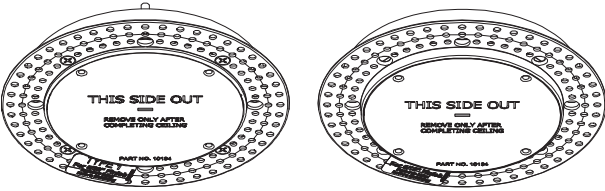
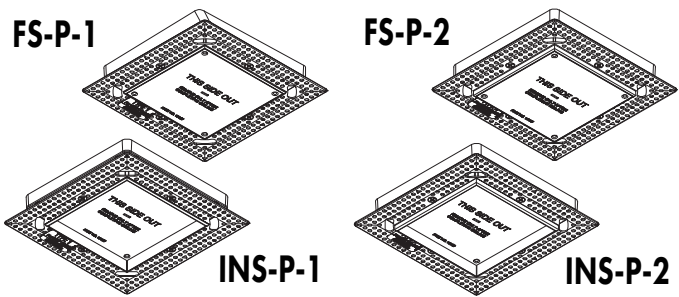
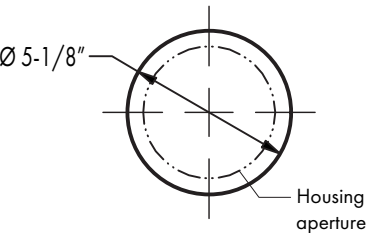
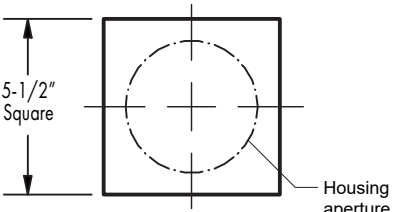
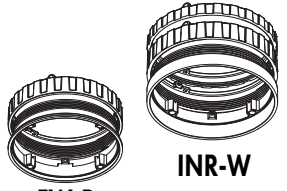
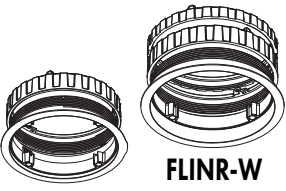
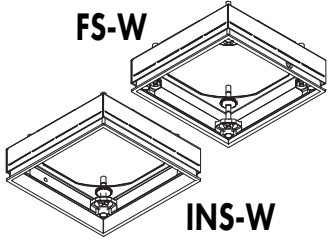
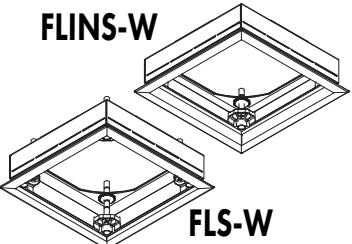


**FIG 5.3** Butterfly Bracket Adjustment



# CEILING CUTOUTS FOR PLASTER/SHEETROCK/WOOD/STONE CEILINGS

Refer to 800 Series Trim Installation Instructions (92005) for additional details

Round Plaster Trims		Square Plaster Trims		
Trim Model	 <p><b>FR-P-1</b>                      <b>FR-P-2</b></p>		 <p><b>FS-P-1</b>                      <b>FS-P-2</b></p> <p><b>INS-P-1</b>                      <b>INS-P-2</b></p>	
	<p><b>Round Plaster Trim Cutouts</b></p>  <p>Round Trim Cutout Tolerances: Cutouts <math>\pm 1/16"</math></p>		<p><b>Square Plaster Trim Cutouts</b></p>  <p>Square Trim Cutout Tolerances: Cutouts <math>+1/8"</math></p>	
Round Wood Trims		Square Wood Trims		
Trim Model	Non-flanged	Flanged	Non-flanged	Flanged
	 <p><b>FW-R</b>                      <b>INR-W</b></p> <p><b>Important:</b> All Non-flanged cutouts to have clean, sharp edges</p>	 <p><b>FLR-W</b>                      <b>FLNR-W</b></p>	 <p><b>FS-W</b>                      <b>INS-W</b></p> <p><b>Important:</b> All Non-flanged cutouts must have clean, sharp edges and corners</p>	 <p><b>FLINS-W</b>                      <b>FLS-W</b></p>
Ceiling Cutouts	<p><b>Round Wood Cutout</b> Tolerances: <b>FR-W</b> <math>\pm 1/32"</math> <b>INR-W</b> <math>\pm 1/32"</math> <b>FLR-W</b> <math>+1/8" / -1/32"</math> <b>FLNR-W</b> <math>+1/8" / -1/32"</math></p>		<p><b>Square Wood Cutout</b> Tolerances: <b>FR-W</b> <math>\pm 1/32"</math> <b>INR-W</b> <math>\pm 1/32"</math> <b>FLR-W</b> <math>+1/8" / -1/16"</math> <b>FLNR-W</b> <math>+1/8" / -1/16"</math></p>	

# LAMP MODULE INSTRUCTIONS

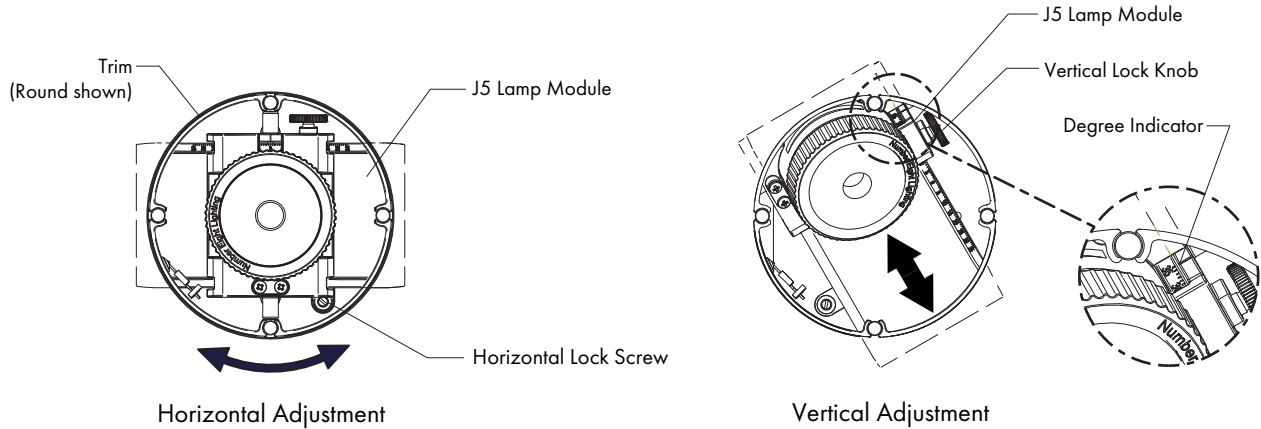
## J5 Lamp Module Adjustment, Removal, and Replacement

### Aiming and Adjustment

**STEP 1** Loosen (DO NOT REMOVE) Horizontal Lock Screw and rotate the entire J5 lamp Module to desired horizontal rotation adjustment.

Use Horizontal Lock Screw to secure the horizontal adjustment - **FIG 7.3**.

**STEP 2** Loosen Vertical Lock Knob and adjust J5 Lamp Module to desired vertical aiming position. Tighten Lock Knob to secure the vertical adjustment - **FIG 7.1**.



**FIG 7.1** J5 Aiming Adjustment

### Removal

**STEP 1** Remove Trim Plate. Unscrew Lens Ring and Optic Assembly and remove from Snoot. Loosen Vertical Stop Knob and adjust Lamp Module to 30° to position Key Slot over the Mounting Screw as shown - **FIG 7.2**.

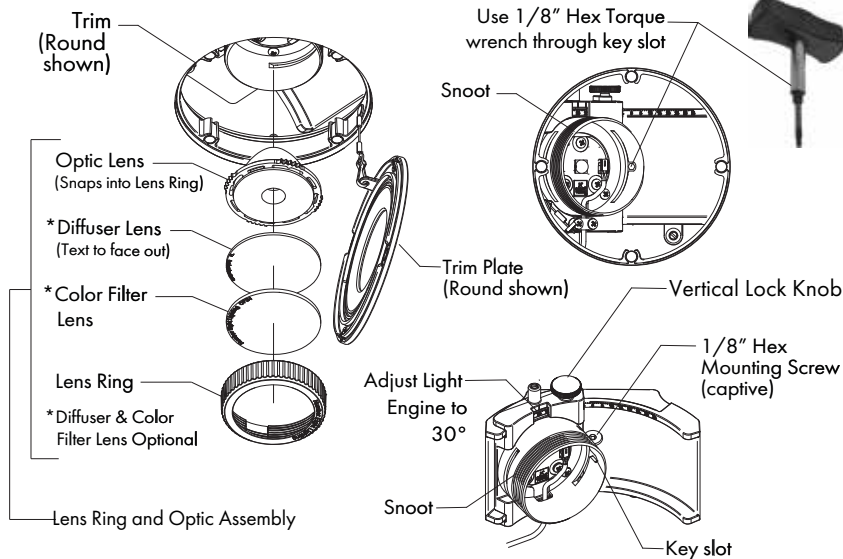
**STEP 2** Loosen 1/8" Hex Mounting Screw (DO NOT REMOVE) using 1/8" Hex Key through Key Slot in Snoot. Remove J5 Lamp Module through trim aperture and disconnect wire connectors - **FIG 7.2 & 7.3**.

### Replacement

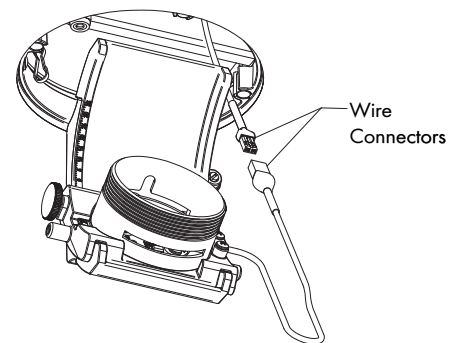
**STEP 1** Replace existing J5 Lamp Module by following removal instructions above.

**STEP 2** Install J5 Lamp Module through trim aperture and connect wire connectors making sure not to trap wiring underneath - **FIG 7.3**.

**STEP 3** Fasten Mounting Screw into threaded hole using 1/8" Hex Torque Driver set to 1.5 Nm (DO NOT OVERTIGHTEN). For 1/8" Hex Torque Driver details, contact Number Eight Lighting Customer Service at [www.8lighting.com](http://www.8lighting.com) - **FIG 7.2**.



**FIG 7.2** J5 Lamp Module Mounting



**FIG 7.3** Remove/Replace J5 Lamp Module

# LAMP MODULE INSTRUCTIONS

## J5 Lamp Module Vertical Aiming Range - Plaster Ceiling Trims

800 Series Trim Models	Ceiling Thickness	HB Hole Position*	Overall Trim Depth	Maximum Vertical Aiming Angle No Trim Plate Lens			Maximum Vertical Aiming Angle With Trim Plate Lens		
				No Accessory	1 Accessory	2 Accessory	No Accessory	1 Accessory	2 Accessory
FR-P, FS-P	1/2"	1	1/2"	34°	30°	29°	30°	25°	24°
	5/8"	1	5/8"	35°	35°	35°	35°	30°	28°
	3/4"	1	3/4"	35°	35°	35°	35°	34°	31°
	1"	1	1"	35°	35°	35°	35°	35°	35°
INR-P, INS-P	1/2"	2	1"	34°	34°	34°	35°	30°	28°
	5/8"	2	1-1/8"	35°	35°	35°	35°	35°	33°
	3/4"	2	1-1/4"	35°	35°	35°	35°	35°	35°
INR-P, INS-P	1"	2	1-1/2"	35°	35°	35°	35°	35°	35°
	1"	1	1"	34°	34°	34°	35°	30°	28°
	1-1/8"	1	1-1/8"	35°	35°	35°	35°	35°	33°
INR-P, INS-P	1-1/4"	1	1-1/4"	35°	35°	35°	35°	35°	35°
	1-1/2"	1	1-1/2"	35°	35°	35°	35°	35°	35°
	1/2"	2	1"	32°	26°	26°	32°	25°	24°
INR-BV-P, INS-BV-P	5/8"	2	1-1/8"	35°	32°	31°	35°	31°	30°
	3/4"	2	1-1/4"	35°	35°	35°	35°	35°	34°
	1"	2	1-1/2"	35°	35°	35°	35°	35°	35°
INR-BV-P, INS-BV-P	1"	1	1"	32°	26°	26°	32°	25°	24°
	1-1/8"	1	1-1/8"	35°	32°	31°	35°	31°	30°
	1-1/4"	1	1-1/4"	35°	35°	35°	35°	35°	34°
INR-BV-P, INS-BV-P	1-1/2"	1	1-1/2"	35°	35°	35°	35°	35°	35°

\*Hanger Bar Position 1 = Housing Flush w/ Face of Framing. Hanger Bar Position 2 = Housing 1/2" Above Face of Framing.

## J5 Lamp Module Vertical Aiming Range - SQUARE Wood Ceiling Trims

800 Series Trim Models	Ceiling Thickness	HB Hole Position*	Overall Trim Depth	Maximum Vertical Aiming Angle No Trim Plate Lens			Maximum Vertical Aiming Angle With Trim Plate Lens		
				No Accessory	1 Accessory	2 Accessory	No Accessory	1 Accessory	2 Accessory
FS-W, FLS-W	1/4"	2	3/4"	35°	34°	31°	32°	28°	25°
	3/8"	2	7/8"	35°	35°	35°	35°	34°	29°
	1/2"	2	1"	35°	35°	35°	35°	35°	35°
	5/8"	2	1-1/8"	35°	35°	35°	35°	35°	35°
	3/4"	2	1-1/4"	35°	35°	35°	35°	35°	35°
FS-W, FLS-W	3/4"	1	3/4"	35°	34°	31°	32°	28°	25°
	7/8"	1	7/8"	35°	35°	35°	35°	34°	29°
	1"	1	1"	35°	35°	35°	35°	35°	35°
	1-1/8"	1	1-1/8"	35°	35°	35°	35°	35°	35°
	1-1/4"	1	1-1/4"	35°	35°	35°	35°	35°	35°
INS-W, FLINS-W	1-1/2"	1	1-1/2"	35°	35°	35°	35°	35°	35°
	1/2"	2	1"	34°	29°	27°	29°	24°	21°
	5/8"	2	1-1/8"	35°	34°	32°	33°	29°	26°
	3/4"	2	1-1/4"	35°	35°	35°	35°	35°	32°
	1"	2	1-1/2"	35°	35°	35°	35°	35°	35°
INS-W, FLINS-W	1"	1	1"	34°	29°	27°	29°	24°	21°
	1-1/8"	1	1-1/8"	35°	34°	32°	33°	29°	26°
	1-1/4"	1	1-1/4"	35°	35°	35°	35°	35°	32°
INS-BV-W, FLINS-BV-W	1-1/2"	1	1-1/2"	35°	35°	35°	35°	35°	35°
	1/2"	2	1"	24°	20°	20°	23°	18°	16°
	5/8"	2	1-1/8"	28°	25°	22°	27°	25°	20°
	3/4"	2	1-1/4"	34°	28°	26°	33°	26°	22°
INS-BV-W, FLINS-BV-W	1"	2	1-1/2"	35°	35°	35°	35°	35°	35°
	1"	1	1"	24°	20°	20°	23°	18°	16°
	1-1/8"	1	1-1/8"	28°	25°	22°	27°	25°	20°
	1-1/4"	1	1-1/4"	34°	28°	26°	33°	26°	22°
INS-BV-W, FLINS-BV-W	1-1/2"	1	1-1/2"	35°	35°	35°	35°	35°	35°

\*Hanger Bar Position 1 = Housing Flush w/ Face of Framing. Hanger Bar Position 2 = Housing 1/2" Above Face of Framing.

# LAMP MODULE INSTRUCTIONS

## J5 Lamp Module Vertical Aiming Range - ROUND Wood Ceiling Trims

800 Series Trim Models	Mounting Ring	Ceiling Thickness	HB Hole Position*	Overall Trim Depth	Maximum Vertical Aiming Angle No Trim Plate Lens			Maximum Vertical Aiming Angle With Trim Plate Lens		
					No Accessory	1 Accessory	2 Accessory	No Accessory	1 Accessory	2 Accessory
FR-W, FLR-W	Standard	1/2"	2	1"	35°	35°	35°	35°	35°	35°
		5/8"	2	1-1/8"	35°	35°	35°	35°	35°	35°
		3/4"	2	1-1/4"	35°	35°	35°	35°	35°	35°
		1"	2	1-1/2"	35°	35°	35°	35°	35°	35°
FR-W, FLR-W	Standard	1"	1	1"	35°	35°	35°	35°	35°	35°
		1-1/8"	1	1-1/8"	35°	35°	35°	35°	35°	35°
		1-1/4"	1	1-1/4"	35°	35°	35°	35°	35°	35°
		1-1/2"	1	1-1/2"	35°	35°	35°	35°	35°	35°
INR-W, FLINR-W	Short	1/2"	2	1"	32°	26°	25°	27°	23°	19°
		5/8"	2	1-1/8"	35°	33°	31°	33°	28°	26°
		3/4"	2	1-1/4"	35°	35°	35°	35°	33°	31°
INR-W, FLINR-W	Short	1"	1	1"	32°	26°	25°	27°	23°	19°
		1-1/8"	1	1-1/8"	35°	33°	31°	33°	28°	26°
		1-1/4"	1	1-1/4"	35°	35°	35°	35°	33°	31°
INR-W, FLINR-W	Tall	3/4"	2	1-1/4"	35°	35°	35°	35°	33°	31°
		1"	2	1-1/2"	35°	35°	35°	35°	35°	35°
INR-W, FLINR-W	Tall	1-1/4"	1	1-1/4"	35°	35°	35°	35°	33°	31°
		1-1/2"	1	1-1/2"	35°	35°	35°	35°	35°	35°
INR-BV-W, FLINR-BV-W	Short	5/8"	2	1-1/8"	30°	27°	26°	30°	25°	21°
		3/4"	2	1-1/4"	34°	32°	30°	33°	30°	27°
INR-BV-W, FLINR-BV-W	Short	1"	1	1"	25°	22°	22°	24°	20°	17°
		1-1/8"	1	1-1/8"	30°	27°	26°	30°	25°	21°
		1-1/4"	1	1-1/4"	34°	32°	30°	33°	30°	27°
INR-BV-W, FLINR-BV-W	Tall	3/4"	2	1-1/4"	34°	32°	30°	34°	30°	27°
		1"	2	1-1/2"	35°	35°	35°	35°	35°	35°
INR-BV-W, FLINR-BV-W	Tall	1-1/4"	1	1-1/4"	34°	32°	30°	34°	30°	27°
		1-1/2"	1	1-1/2"	35°	35°	35°	35°	35°	35°

\*Hanger Bar Position 1 = Housing Flush w/ Face of Framing. Hanger Bar Position 2 = Housing 1/2" Above Face of Framing.

# LAMP MODULE INSTRUCTIONS

## K5 and W5 Lamp Module Adjustment, Removal, and Replacement

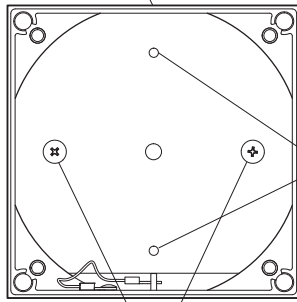
### W5 Lamp Module Orientation Adjustment

**Note:** The **W5** Wall Wash Lamp Module can be installed in 4 different orientations at 90° intervals to direct light toward the wall. Two orientations will require Mounting Screws for the Lamp Module to be relocated as shown in **FIG 10.1**.

**STEP 1** Loosen Mounting Screws and disengage **W5** Lamp Module. Relocate screws if required - **FIG 10.1 & 10.2**.

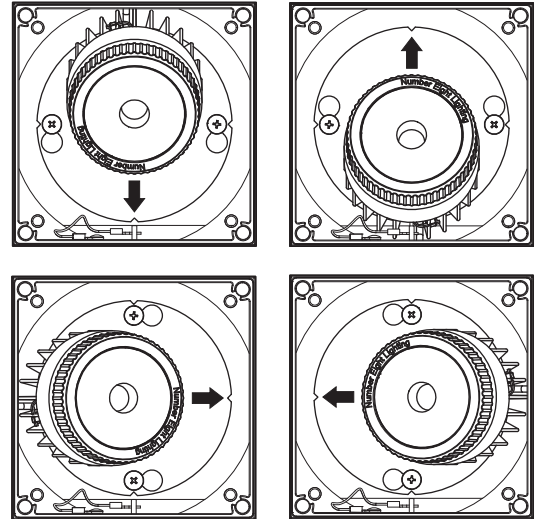
**STEP 2** Replace Lamp Module into desired orientation making sure slots are fully seated against screws. Re-tighten screws securely (**DO NOT OVERTIGHTEN**) - **FIG 10.3**.

Ceiling Trim Aperture  
(Square Trim shown)



Relocate 2x Mounting Screws here for alternate Lamp Module orientations

K5/W5 Mounting Screws



**Note:** Two of the orientations shown at the right will require the Lamp Module Mounting Screws to be relocated as shown above.

All **W5** Wall Wash Lamp Module orientations possible are shown above. Arrow points towards direction of wall-See **Page 11** for Wall Wash adjustment information.

**FIG 10.1** W5 Lamp Module Orientation Adjustment

### Removal

**STEP 1** Remove Trim Plate and loosen 2x short screws slightly (**DO NOT REMOVE**) - see note below). Slide Lamp Module to disengage from housing - **FIG 10.2**.

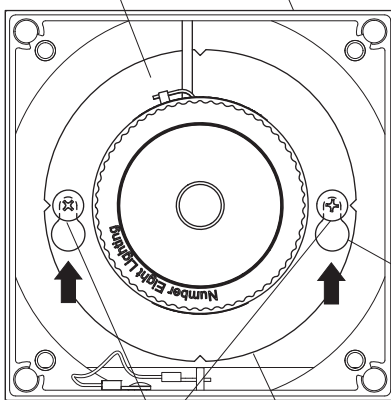
**STEP 2** Remove Lamp Module and disconnect wire connectors - **FIG 10.3**.

### Replacement

Follow steps above in reverse order. **Note:** If replacing **K5** or **W5** Lamp Module with **J5** Lamp Module, remove 2x Lamp Module Mounting Screws shown in **FIG 10.1 & 10.2**.

Lamp Module  
(K5 shown)

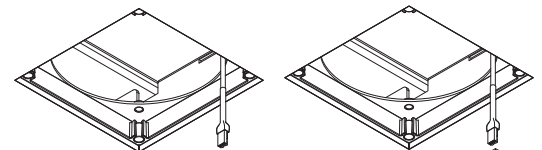
Trim Aperture  
in ceiling (Square Trim shown)



Keyhole slot

2x Screws  
#8-32 x 3/16"

Slide Lamp Module to disengage



**K5**

**W5**

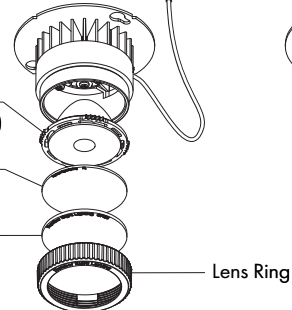
Lens Ring and  
Optic Assembly

Optic Lens  
(Snaps into Lens Ring)

\*Diffuser Lens  
(Text to face out)

\*Color Filter  
Lens

\*Diffuser & Color  
Filter Lens Optional



**FIG 10.2** K5/W5 Lamp Module Mounting

**FIG 10.3** Remove/Replace K5/W5 Lamp Modules

# LAMP MODULE INSTRUCTIONS

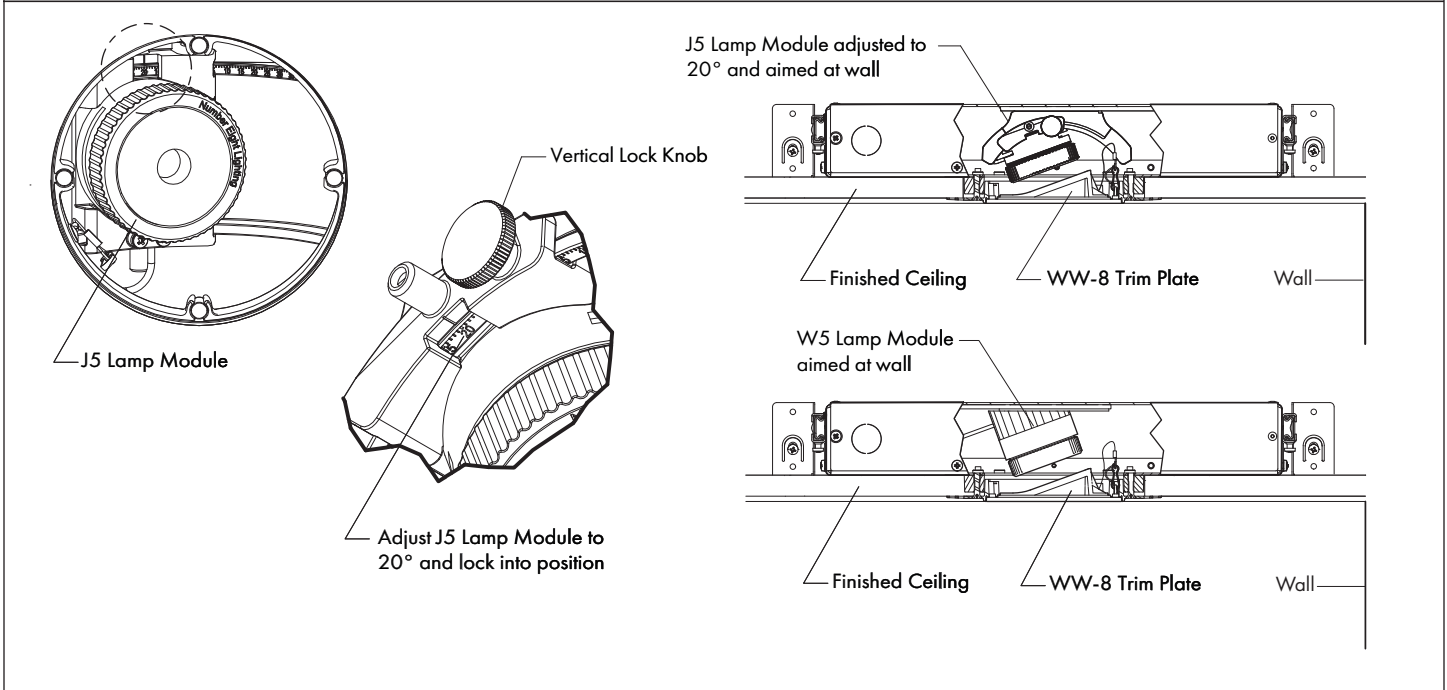
## J5 & W5 Lamp Module Wall Wash Adjustment

### J5 & W5 Wall Aiming

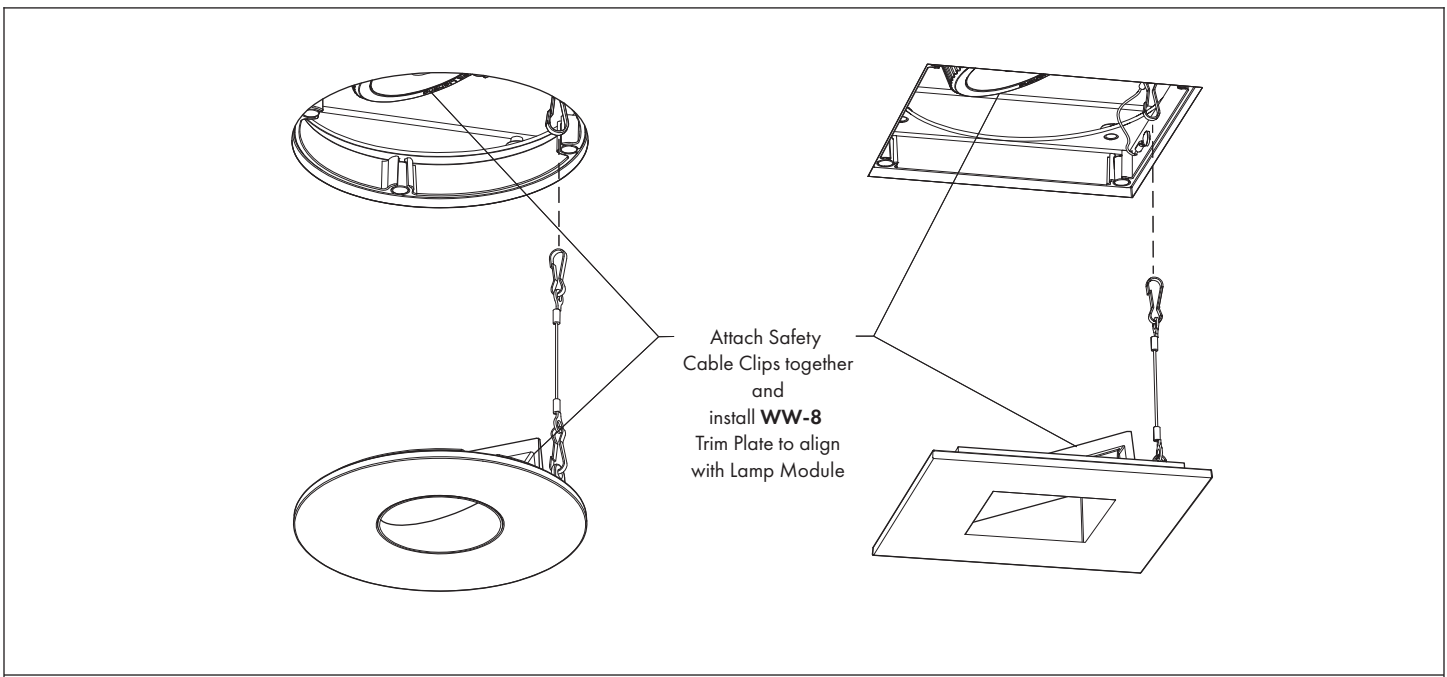
**STEP 1** For J5 Lamp Module only: Loosen Vertical Lock Knob and adjust to 20° and lock in position - **FIG 11.1**.

**STEP 2** Orient J5 or W5 Lamp Module toward wall - **FIG 11.1**. **Note:** For additional W5 orientation details, see **Page 10, FIG 10.1**

**STEP 3** Install WW-8 Trim Plate to be aligned to Lamp Module - **FIG 11.2**.



**FIG 11.1** Orient Lamp Module with Wall

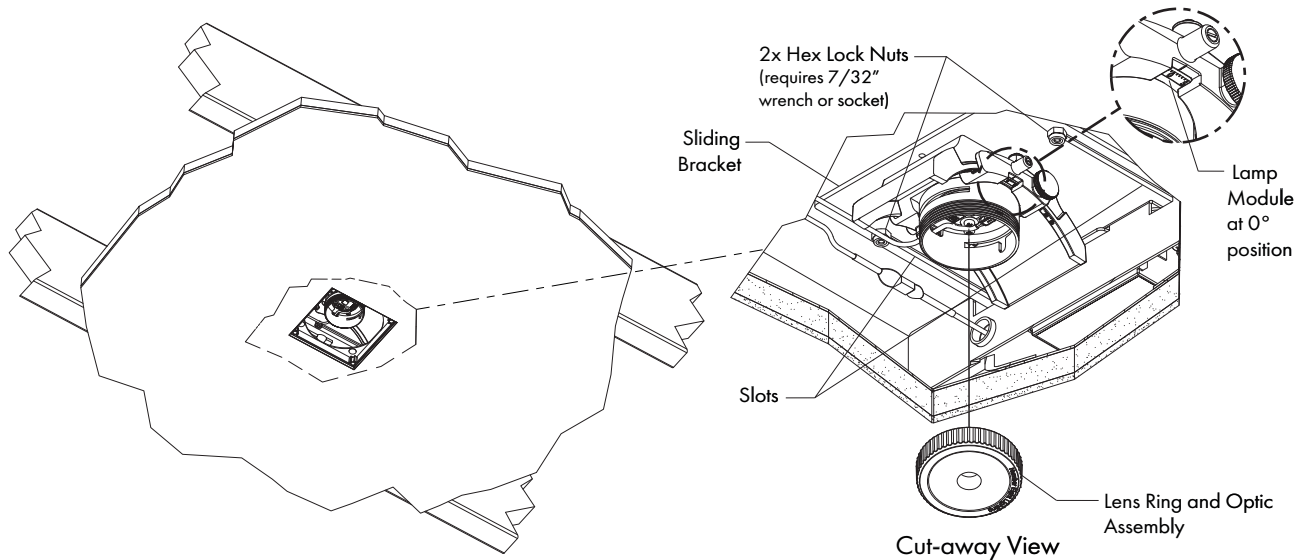


**FIG 11.2** Align and Install WW-8 Trim Plate

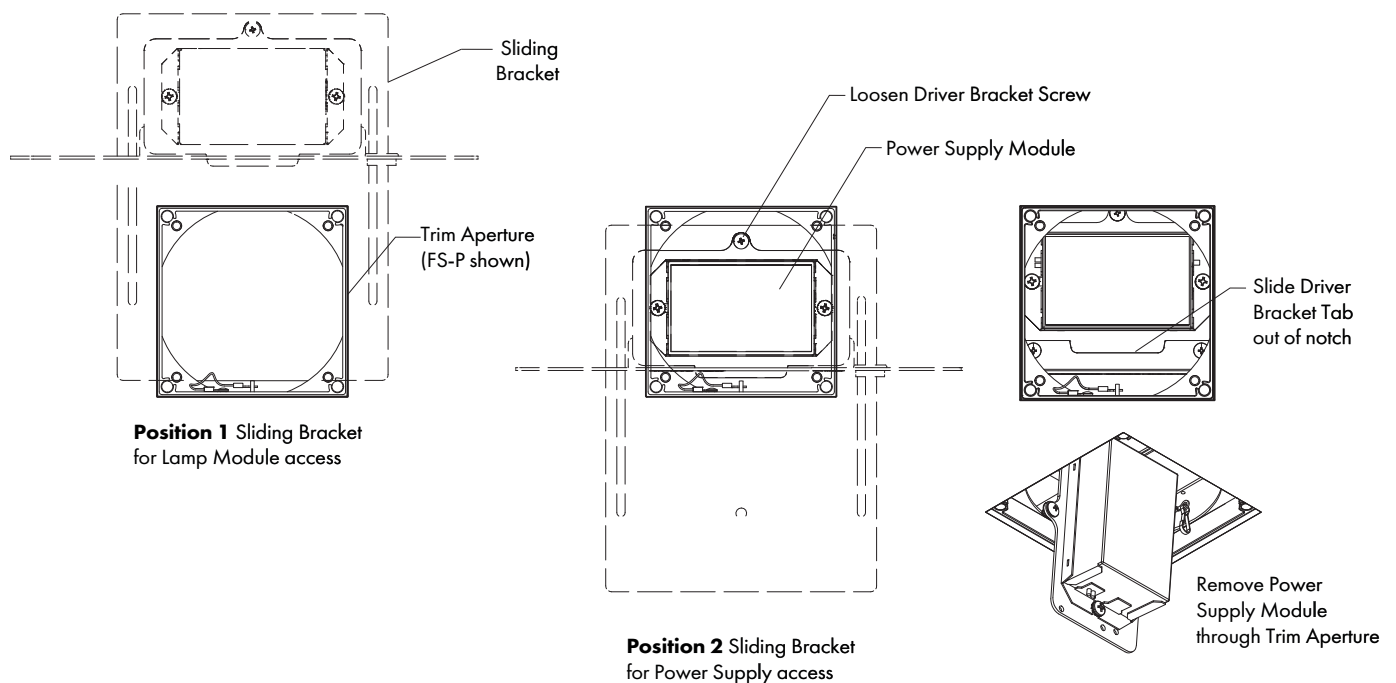
# POWER SUPPLY INSTRUCTIONS

## J5 Power Supply Access and Replacement

- STEP 1** Adjust Lamp Module to 0° position and remove Lens Ring and Optic Assembly as shown in **FIG 12.1**.
- STEP 2** Locate and loosen (DO NOT REMOVE) 2x Hex Lock Nuts as shown in **FIG 12.1**.
- STEP 3** Move Sliding Bracket along slots to expose Power Supply Module in the aperture (Position 2) – **FIG 12.2**.
- STEP 4** Loosen Driver Bracket Screw, remove Power Supply Module through aperture, and disconnect all wire connections – **FIG 12.2**.
- STEP 5** Replace Power Supply Module by following steps above in reverse order. Refer to Wiring Instructions and Diagrams on **Pages 14-16**.
- STEP 6** Move Sliding Bracket fully back to properly center Lamp Module (Position 1) and secure Hex Lock Nuts.
- STEP 7** Replace Lens Ring and Optic Assembly - See **FIG 12.1**.



**FIG 12.1** Sliding Bracket Adjustment



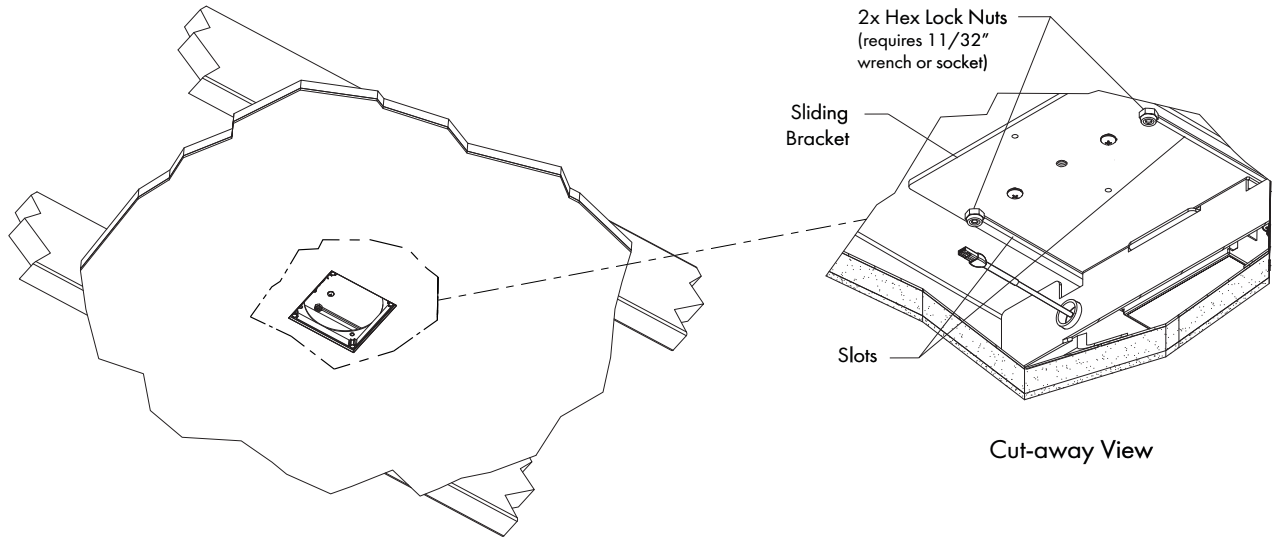
**FIG 12.2** Sliding Bracket Positioning and Remove/Replace Power Supply Module



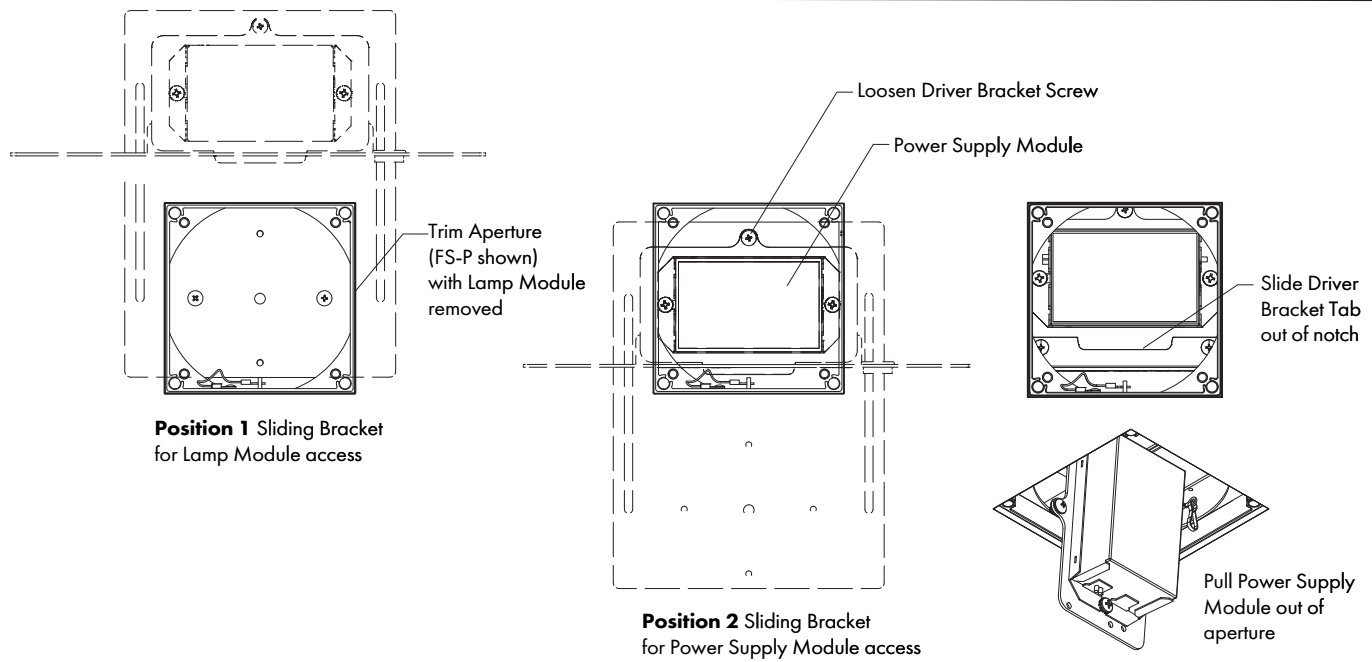
# POWER SUPPLY INSTRUCTIONS

## K5 and W5 Power Supply Access and Replacement

- STEP 1** Remove Lamp Module as shown on **Page 10, FIG 10.1** and **FIG 10.2**.
- STEP 2** Locate and loosen (DO NOT REMOVE) 2x Hex Lock Nuts as shown in **FIG 13.1**.
- STEP 3** Move Sliding Bracket along slots to expose Power Supply Module in the aperture (Position 2) - **FIG 13.2**.
- STEP 4** Loosen Driver Bracket Screw, remove Power Supply Module through aperture, and disconnect wire connections - **FIG 13.2**.
- STEP 5** Replace Power Supply Module by following steps above in reverse order. Refer to Wiring Instructions on **Pages 16-17**.
- STEP 6** Move Sliding Bracket fully back to properly center Lamp Module (Position 1) and secure Lock Nuts.
- STEP 7** Replace Lamp Module - See **Page 13, FIG 13.1** & **FIG 13.2**.



**FIG 13.1** Sliding Bracket Adjustment



**FIG 13.2** Sliding Bracket Positioning and Remove/Replace Power Supply Module



# WIRING INSTRUCTIONS

For PR1 / EL1 / EL1-01 / EL2 / EL2-01 / LU4 Dimming Options

## **CAUTION: TO AVOID RISK OF FIRE OR ELECTRIC SHOCK**

Turn off power at circuit breaker or fuse panel and read instructions completely before proceeding.

Failure to follow instructions may void warranty. Save these instructions.

- Installation must be by a qualified electrician only and must conform to National Electric code and local regulations.
- Verify correct dimming system, lamp module, power supply type, and input supply requirements.
- Always allow LED assembly to cool before servicing.
- Do not install where insulation or ambient temperatures will exceed maximum values noted in product specifications.  
See [www.8lighting.com](http://www.8lighting.com) for current product specifications.

## Wiring Access & Wiring

**STEP 1** Loosen screw, open Wire Access Cover, and locate supply wiring – **FIG 14.1 & 14.2.**

**STEP 2** Remove available knock-out in housing and attach supply wire using suitable wire connector - **FIG 14.1 & 14.2.**

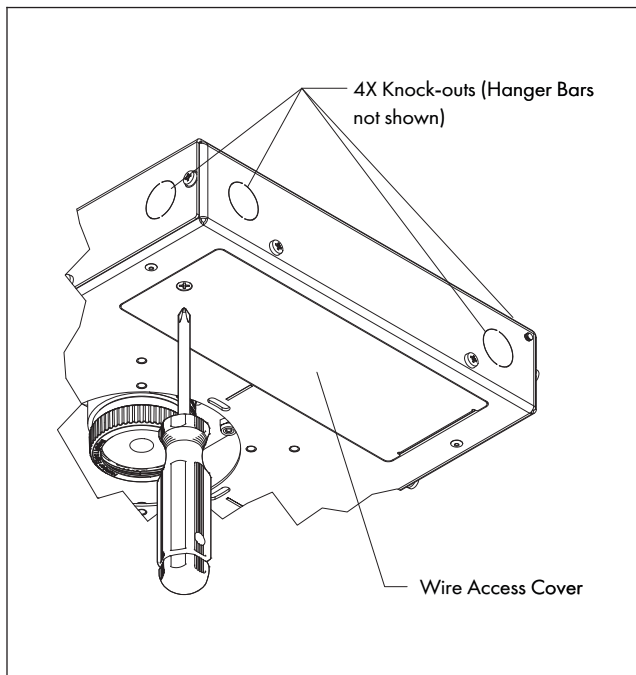
**Note:** Supply wires must extend below housing bottom by 6" min.

**STEP 3** Refer to Wiring Diagrams on Pages 15-16 and wire accordingly.

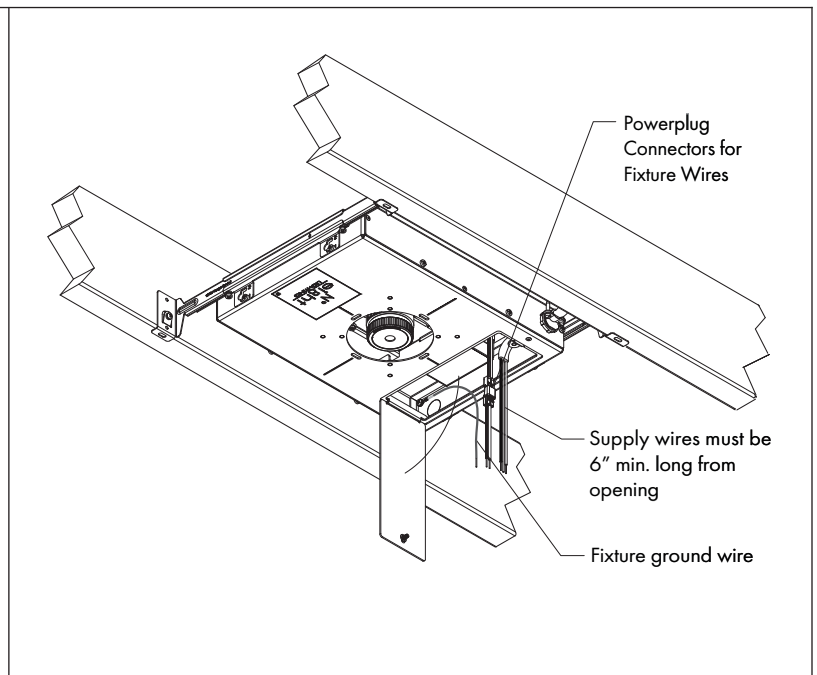
**STEP 4** Install all wiring and connections completely inside wiring compartment - **FIG 14.1 & 14.2.**

**Note:** Ensure supply wiring does not interfere with full movement of Sliding Bracket.

**STEP 5** Replace and secure Wire Access Cover - **FIG 14.1.**



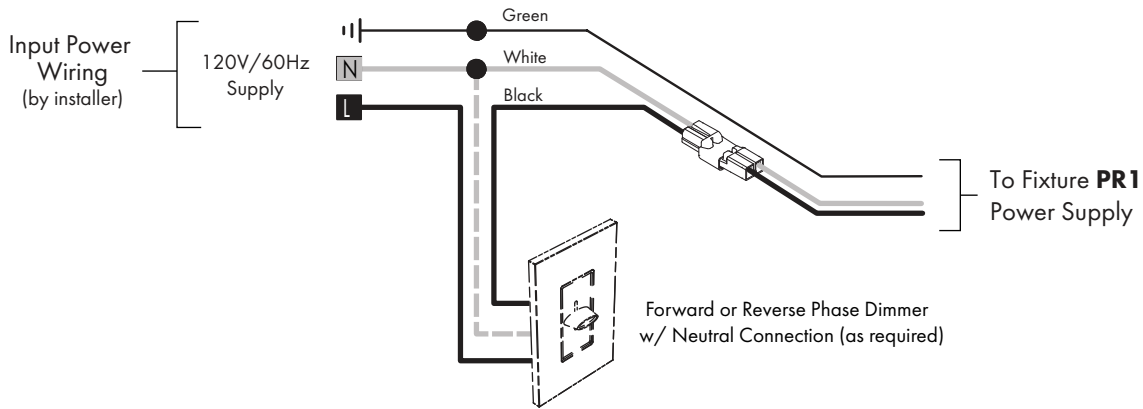
**FIG 13.1** Wire Access



**FIG 13.2** Fixture and Supply Wires

# WIRING DIAGRAMS

## PR1 - PHASE CONTROL



**Phase Control Notes:**

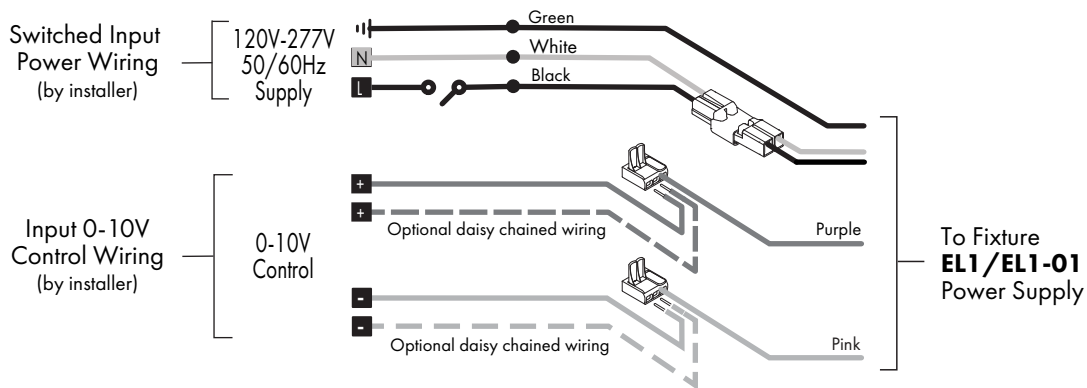
**PR1** drivers are Forward or Reverse Phase dimmable.

For compatible dimmers for use with **PR1** drivers see: [www.8lighting.com/resources-downloads](http://www.8lighting.com/resources-downloads)

**NOTE:** For compatible dimmers for use with **PR1** drivers see [www.8lighting.com/resources-downloads/](http://www.8lighting.com/resources-downloads/)

**FIG 15.1** Wiring Diagram

## EL1/EL1-01 - 0-10V CONTROL



**0-10V Control Notes:**

0-10V control wiring is polarity sensitive and should be run as Class 2.

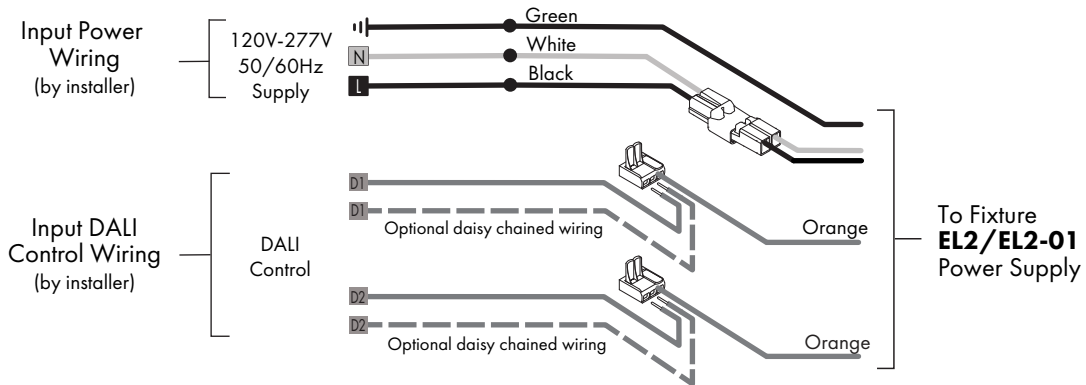
300' is the maximum control wiring run length to reduce EMI susceptibility and voltage drop. Voltage drop should be no greater than 0.3V.

For compatible dimmers for use with **EL1/EL1-01** drivers see: [www.8lighting.com/resources-downloads](http://www.8lighting.com/resources-downloads).

**FIG 15.2** Wiring Diagram

# WIRING DIAGRAMS

## EL2 / EL2-01 - DALI CONTROL



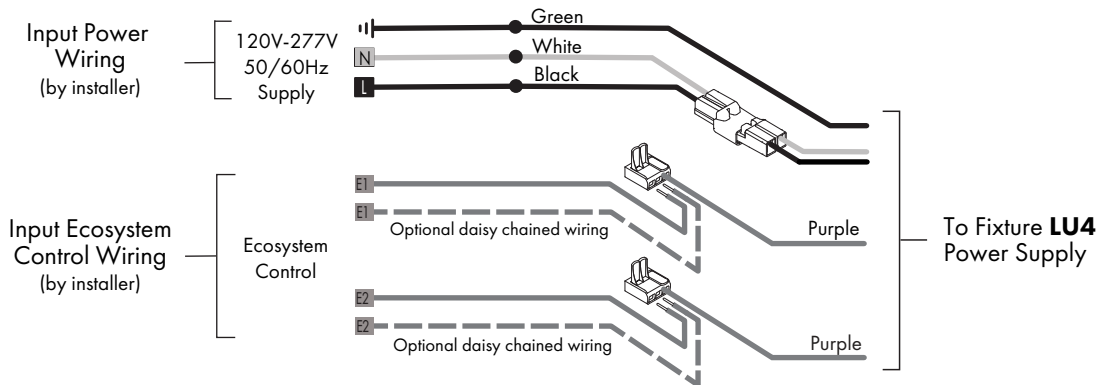
### DALI Control Notes:

DALI control wiring is not polarity sensitive and can be run as Class 1 or 2. Up to 64 **EL2/EL2-01** power supplies can be daisy chained per DALI control loop. Maximum control wiring run length is 1000'.

For compatible dimmers for use with **EL2/EL2-01** drivers see: [www.8lighting.com/resources-downloads](http://www.8lighting.com/resources-downloads).

**FIG 16.1 Wiring Diagram**

## LU4 - LUTRON ECOSYSTEM CONTROL



### Lutron Ecosystem Control Notes:

Up to 64 **LU4** power supplies can be daisy chained per Ecosystem control loop. Maximum control wiring run length is 1000'.

For additional information, contact LED Center of Excellence at 1.877.346.5338 or [LEDs@lutron.com](mailto:LEDs@lutron.com)

**FIG 16.2 Wiring Diagram**



[www.8lighting.com](http://www.8lighting.com)

**Number Eight Lighting Company**

526 Portal Street, Cotati, CA 94931

Phone (707) 794-0888 • Email [customerservice@8lighting.com](mailto:customerservice@8lighting.com)