

**202-S-RM/202-S-BV-RM REMODEL ADJUSTABLE LED
FLS-2/FLS-2-BV TRIMS
NON-IC + AIRTIGHT RATED**



526 Portal Street
Cotati, CA 94931
USA
P 707.794.0888
www.8lighting.com

All No. 8 Lighting fixtures and components are UL Listed to both U.S. and Canadian requirements. No. 8 Lighting trims and lamp modules are protected by one or more U.S. Patents. No. 8 Lighting reserves the right to change details of design, materials, and finish.

© 2024 No. 8 Lighting
Doc # 91410-13.3

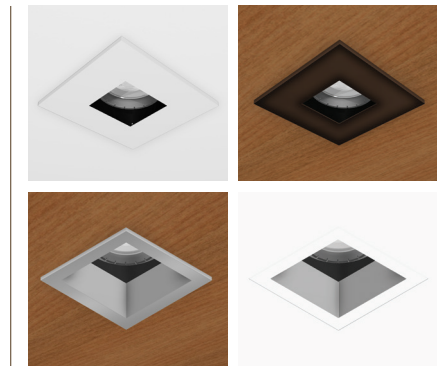


| | |
|--------------|---------------------|
| Project Name | |
| Date | Type |
| Prepared By | |
| Comments | |
| Catalog # | - - - - / - / - - - |

PRODUCT FEATURES



202-S-RM / 202-S-BV-RM
SQUARE ADJUSTABLE
LIGHT ENGINE + POWER SUPPLY



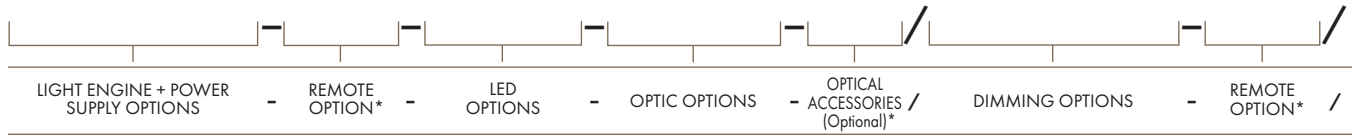
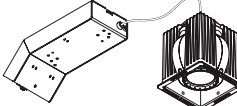
200 SERIES TRIMS
FLANGED or FLANGELESS

202-S-RM/202-S-BV-RM SPECIFICATION SUMMARY

| | Static White | | | | Warm Dimming | |
|-----------------------|--|---------|---------|---------|--------------------------------|------------|
| | HI-2700 | HI-3000 | HI-3500 | HI-4000 | WD | WD-2 |
| LED Option | 1094 | 1151 | 1197 | 1232 | 760 | 737 |
| Delivered Lumens | 14 | 14 | 14 | 14 | 15 | 15 |
| System Wattage | 76 | 80 | 83 | 86 | 50 | 48 |
| Efficacy | 92+ | 92+ | 92+ | 92+ | 97+ | 95+ |
| CRI | 61 | 57 | 61 | 58 | 81 | 74 |
| R9 | 2700K | 3000K | 3500K | 4000K | 3000-1800K | 2800-2200K |
| Color Consistency | 2-Step | | | | 3-Step | |
| Optic Options | 15, 25, 40, 60 | | | | 15-NFL, 25-NFL, 40-NFL, 60-NFL | |
| Optical Accessories | Narrow, Medium, Wide, Extra Wide, Linear Spread | | | | N/A | |
| Adjustability | 0-30° Tilt, 360° Rotation | | | | | |
| Dimming Options | INTEGRAL: <1/5% Forward/Reverse Phase (120v), 0.1/1/5% 0-10v (120-277v), 0.1/1% DALI (120-277v), 0.1/1% EcoSystem (120 or 277v) REMOTE: <1% Forward/Reverse Phase (120v), 0.1/1% 0-10v (120-277v), 0.1/1% DALI (120-277v), 1% EcoSystem (120 or 277v) | | | | | |
| Trim Options | Square Flat, Square Bevel | | | | | |
| Finish Options | White, Oil-Rubbed Bronze, Satin Aluminum, Satin Aluminum w/ White Flange | | | | | |
| Trim Mounting Options | Flanged, Flangeless Sheetrock | | | | | |
| Trim Lens Options | UL Wet Listed - Clear, Soft Focus | | | | | |
| Mounting Options | Remodel: Type Non-IC Air-Tight | | | | | |

Performance data shown with FLS-2-BV Trim.
Warm Dimming data shown for 3000K and 2800K.
See Performance Summaries for additional information.

PRODUCT SPECIFIER/PRODUCT ORDER NUMBER

202-S-RM
Adjustable REMODEL Light Engine + Power Supply with 0-30° tilt and 360° rotation for SQUARE FLAT trim

202-S-BV-RM
Adjustable REMODEL Light Engine + Power Supply with 0-30° tilt and 360° rotation for SQUARE BEVEL trim

AIRTIGHT and Type Non-IC Rated for installations where insulation can be held back 3" from sides and top.

RT
REMOTE Mounted Power Supply
*Leave blank for integral dimming options.

HI-2700
2700K 92+ CRI White

HI-3000
3000K 92+ CRI White

HI-3500
3500K 92+ CRI White

HI-4000
4000K 92+ CRI White

WD
3000-1800K 97+ CRI Warm Dim

WD-2
2800-2200K 95+ CRI Warm Dim

15*
Narrow Spot

25*
Narrow Flood

40*
Flood

60*
Wide Flood

15-NFL-WD†
Spot

25-NFL-WD†
Narrow Flood

40-NFL-WD†
Flood

60-NFL-WD†
Wide Flood

*For use with HI LED option.
†For use with WD or WD-2 LED options.

NSP
Narrow Softening Lens

NFL
Medium Softening Lens

FL
Wide Softening Lens

WFL
Extra Wide Softening Lens

LS
Linear Spread Lens

*For use with HI LED option.

PR1-2-R
Premium Forward or Reverse-Phase <1% Dimming

DIM3-2-R*
Forward or Reverse-Phase 5% Dimming

DIM4-2-R*
0-0-10v 1% Dimming

EL1-2-R
EldoLED 0-10v 1% Dimming

EL1-01-2-R
EldoLED 0-10v 0.1% Dimming

EL2-2-R
EldoLED DALI 1% Dimming

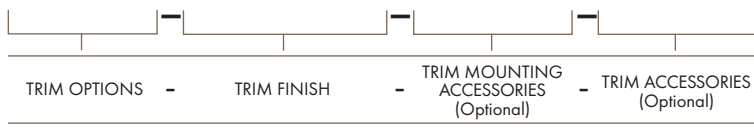

EL2-01-2-R
EldoLED 0.1% DALI Dimming

LU2-2-R
Lutron Hi-Lume LDE1 EcoSystem 1% Dimming

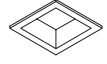
LU4-2-R*
Lutron Hi-Lume PEQOE EcoSystem 0.1% Dimming

*Not available with RT remote option.

RT
REMOTE Mounted Power Supply
*Leave blank for integral dimming options.

FLS-2
4-1/4" SQUARE FLAT trim with 1-7/8" aperture



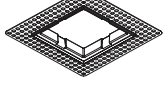
FLS-2-BV
4-1/4" SQUARE BEVEL trim with 2-1/4" aperture

WH
WHITE

OB*
OIL-RUBBED BRONZE

SA*†
SATIN ALUMINUM

SAWH*†
SATIN ALUMINUM with WHITE flange
*Specialty finish.
†Not available with FLAT trim option.



FS-2-RM
SQUARE FLANGELESS trim accessory for flush mounting FLS-2/FLS-2-BV trims in sheetrock ceiling applications in REMODEL installations

CL2*
CLEAR lens

SF2*
SOFT FOCUS lens

*UL Wet listed.

| Maximum REMOTE Driver-to-LED Light Engine Wire Length | |
|---|--------------------------------|
| Driver Model | Wire Gauge |
| PR1/EL1/EL1-01/EL2/EL2-01/LU2-2-R-RT | |
| 8 ft (2.5 m) | 24 AWG (0.2 mm ²) |
| 13 ft (4 m) | 22 AWG (0.34 mm ²) |
| 20 ft (6 m) | 20 AWG (0.5 mm ²) |
| 30 ft (9 m) | 18 AWG (.75 mm ²) |
| 35 ft (10.5 m) | 16 AWG (1.5 mm ²) |
| 50 ft (15 m) | 14 AWG (2.5 mm ²) |
| 100 ft (30 m) | 12 AWG (4.0 mm ²) |
| Wire Type: Stranded Class 2 wire (supplied by others) | |

Light Engine, LED, Optic Option, and Accessory Notes

202-S-RM/202-S-BV-RM Adjustable airtight REMODEL light engine with 0-30° tilt and 360° rotation for SQUARE FLAT/BEVEL trim. Use for adjustable accent and general lighting applications. Includes INTEGRAL power supply (standard) or RT REMOTE mounted power supply (optional). To ensure fixture to fixture color consistency, use of the same LED option with adjacent fixtures is recommended. One field interchangeable optic option included standard. Up to one additional optical accessory can be accommodated.

Installation Notes
Accommodates sheetrock/wood/stone (tile) ceilings with thicknesses ranging from 1/2" (min) - 1-1/2" (max). Requires 5-1/2" (min) ceiling space above finished ceiling. Type Non-IC rated for installations where insulation is held back a minimum of 3" away from sides and top. Meets Washington State Airtight Standard WAC 51-11-0502 and in accordance with ASTM E283 to reduce energy loss. Ambient temperatures in ceiling space should not exceed 40°C (104°F) during normal operation.

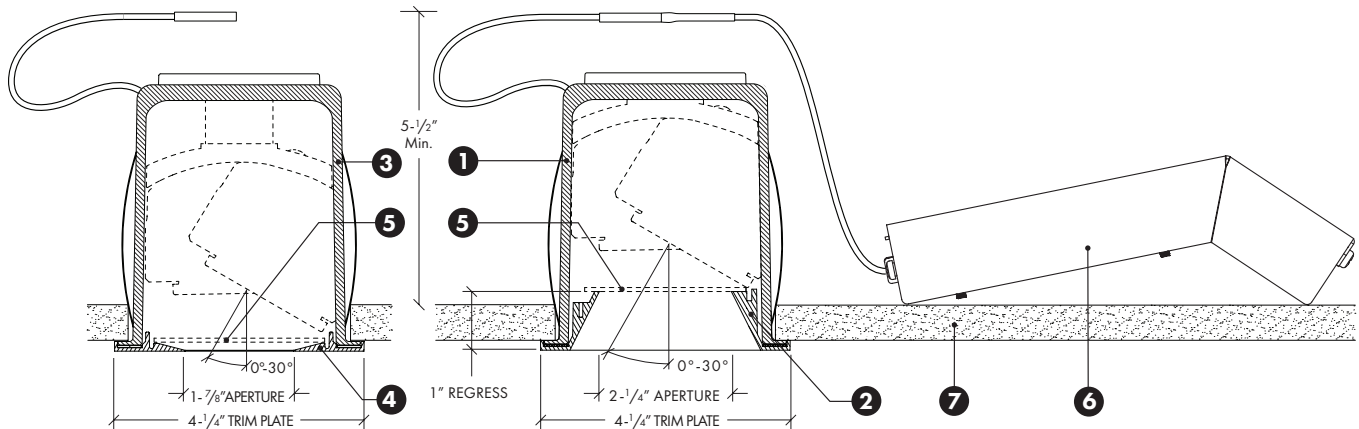
Dimming and Output Option Notes
0-10v dimming options are configured for linear control. DALI dimming options are configured for

logarithmic control. No.8 Lighting conducts extensive testing to establish compatibility with many dimmer types. For a complete list of compatible dimmers, see 8lighting.com/resources-downloads. Outputs vary depending on LED type, trim type, and optical accessories used. For photometric files in PDF and IES formats, see: 8lighting.com/200-series-photometry.

Trim Finish and Accessory Notes
White trim finish is field paintable to match ceiling color. Lot variations may occur with specialty finishes. Ordering ALL trim kits at the same time is recommended to minimize finish variations. Trim lens accessories are factory installed into trim plates and are UL WET LISTED and rated for use in DRY, DAMP, or WET locations (covered ceiling applications only). Approved for use in residential steam applications. Not for use in commercial steam applications.

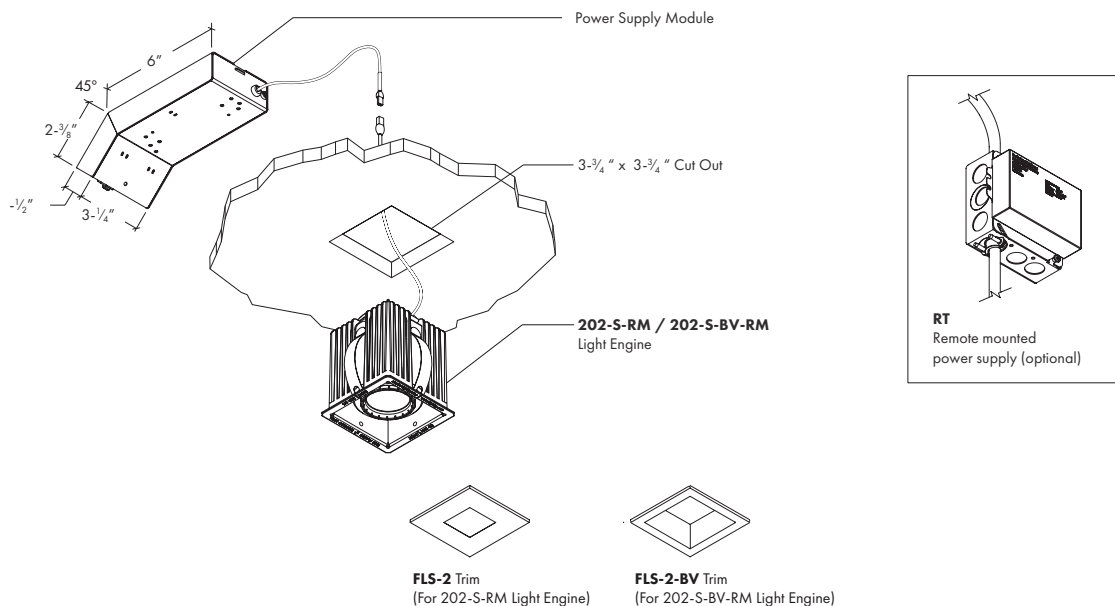
Warranty
All No. 8 Lighting products are covered by a 5 year limited warranty. Products installed in residential steam applications are covered by a 2 year limited warranty. For specific warranty details and limitations, see: 8lighting.com/resources-downloads.

202-S-RM/202-S-BV-RM REMODEL LIGHT ENGINE + POWER SUPPLY with FLANGED TRIMS INSTALLATION



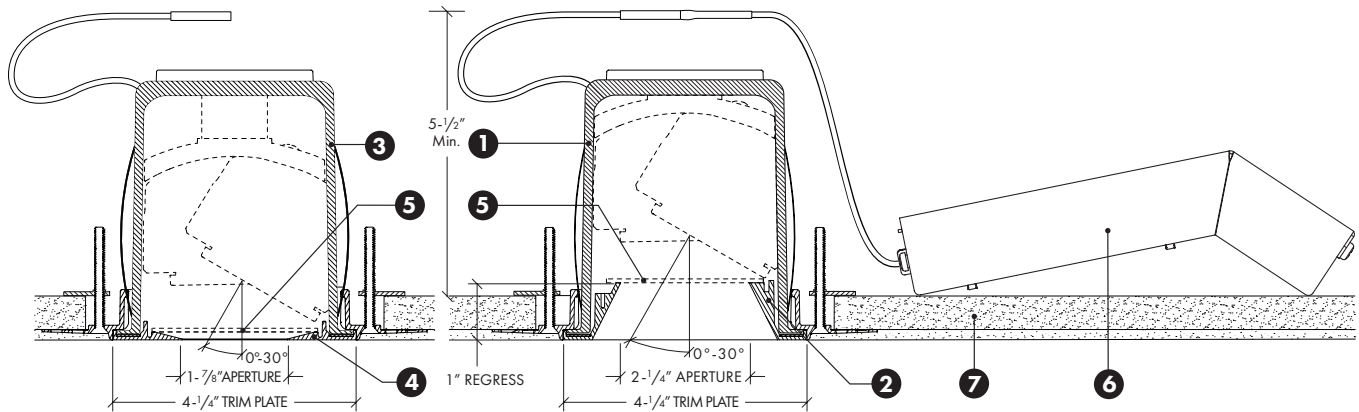
- 1) **202-S-BV-RM** Adjustable SQUARE Light Engine for BEVEL trim.
- 2) **FLS-2-BV** Flanged SQUARE BEVEL Trim.
- 3) **202-S-RM** Adjustable SQUARE Light Engine for FLAT trim.
- 4) **FLS-2** Flanged SQUARE FLAT Trim.
- 5) **CL2/SF2** (Optional) Clear or Soft Focus lens rated for use in DRY, DAMP, or WET locations (covered ceiling applications only).
- 6) **Power Supply/Junction Box** (shown) Installs from below finished ceiling and is accessible after installation. Requires 5-1/2" (Min.) clearance above ceiling for installation.
- RT** Remote mounted LED driver/junction box (not shown) can be mounted up to 100ft from fixture using 12AWG Class 2 stranded wire. See wire length table on Page 2.
- 7) **Ceiling Material** (Sheetrock/Wood/Stone) Accommodates ceiling thicknesses from 1/2" (min) to 1-1/2" (max) without affecting aiming or rotation.

202-S-RM/202-S-BV-RM REMODEL LIGHT ENGINE + POWER SUPPLY with FLANGED TRIM INSTALLATION



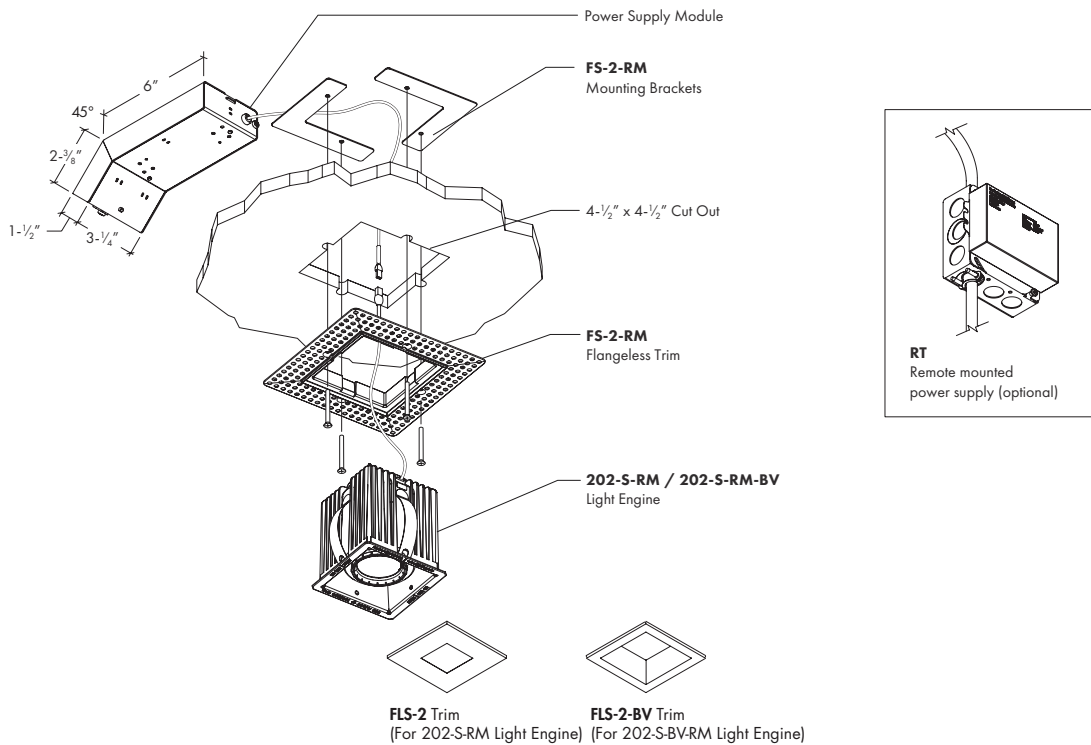
CEILING TYPES: Sheetrock, Wood & Stone | **CEILING THICKNESS:** 1/2" Min to 1-1/2" Max | **CUT-OUT:** 3-3/4" x 3-3/4"

202-S-RM/202-S-BV-RM REMODEL LIGHT ENGINE + POWER SUPPLY with FS-2-RM FLANGELESS TRIM



- 1) **202-S-BV-RM** Adjustable SQUARE Light Engine for BEVEL trim.
- 2) **FLS-2-BV** Flanged SQUARE BEVEL Trim + **FS-2-RM** SQUARE FLANGELESS trim accessory.
- 3) **202-S-RM** Adjustable SQUARE Light Engine for FLAT trim.
- 4) **FLS-2** Flanged SQUARE FLAT Trim + **FS-2-RM** SQUARE FLANGELESS trim accessory.
- 5) **CL2/SF2** (Optional) Clear or Soft Focus lens rated for use in DRY, DAMP, or WET locations (covered ceiling applications only).
- 6) **Power Supply/Junction Box** (shown) Installs from below finished ceiling and is accessible after installation. Requires 5-1/2" (Min.) clearance above ceiling for installation.
- RT** Remote mounted LED driver/junction box (not shown) can be mounted up to 100ft from fixture using 12AWG Class 2 stranded wire. See wire length table on Page 2.
- 7) **Ceiling Material** (Sheetrock) Accommodates ceiling thicknesses from 1/2" (min) to 1-1/2" (max) without affecting aiming or rotation.

202-S-RM/202-S-BV-RM REMODEL LIGHT ENGINE + POWER SUPPLY with FS-2-RM FLANGELESS TRIM



CEILING TYPES: Sheetrock | **CEILING THICKNESS:** 1/2" Min to 1-1/2" Max | **CUT-OUT:** 4-1/2" x 4-1/2"

202-S-RM/202-S-BV-RM w/ FLS-2/FLS-2-BV TRIM - PERFORMANCE SUMMARY

| LED | CCT | CRI | R9 | Delivered Lumens | System Wattage | Delivered LPW |
|----------------|------------|-----|----|------------------|----------------|---------------|
| HI-2700 | 2700K | 92+ | 61 | 885 - 1094 | 14 | 63 - 78 |
| HI-3000 | 3000K | 92+ | 57 | 932 - 1151 | 14 | 67 - 82 |
| HI-3500 | 3500K | 92+ | 61 | 969 - 1197 | 14 | 69 - 86 |
| HI-4000 | 4000K | 92+ | 58 | 997 - 1232 | 14 | 71 - 88 |
| WD | 3000-1800K | 97+ | 81 | 572 - 760 | 15 | 38 - 51 |
| WD2 | 2800-2200K | 95+ | 74 | 555 - 737 | 15 | 37 - 49 |

Performance range for **HI** LED with 15°, 25°, 40°, and 60° optic options.

Performance range for **WD** LED at 3000K and **WD-2** LED at 2800K with 15-NFL-WD, 25-NFL-WD, 40-NFL-WD, and 60-NFL-WD optic options.

LED OUTPUT MULTIPLIERS

| LED | HI-2700, HI-3000, HI-3500 & HI-4000 LED | | | | WD & WD-2 LED | |
|-------------------|---|---------|---------|---------|---------------|------|
| | HI-2700 | HI-3000 | HI-3500 | HI-4000 | WD | WD-2 |
| <i>Multiplier</i> | 0.95 | 1.0 | 1.04 | 1.07 | 1.0 | 0.97 |

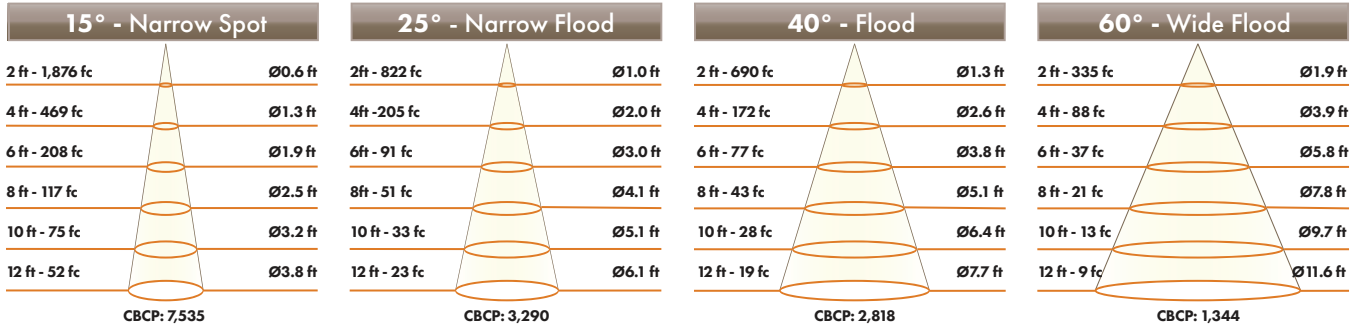
OPTICAL OPTIONS AND ACCESSORY PERFORMANCE SUMMARY

| HI-2700, HI-3000, HI-3500 & HI-4000 LED | | | | | | | WD & WD-2 LED | |
|---|------------|---------------------------------|-------|------|-------|----------|-------------------------------|------------|
| OPTIC OPTIONS | BEAM ANGLE | BEAM ENHANCING LENS (OPTIONAL)* | | | | | OPTIC OPTIONS | BEAM ANGLE |
| | | + NSP | + NFL | + FL | + WFL | + LS | | |
| 15 Narrow Spot | 17° | 20° | 29° | 49° | 63° | 20 x 47° | 15-NFL-WD Spot | 26° |
| 25 Narrow Flood | 27° | 29° | 36° | 57° | 71° | 28 x 58° | 25-NFL-WD Narrow Flood | 34° |
| 40 Flood | 35° | 36° | 40° | n/a | n/a | n/a | 40-NFL-WD Flood | 40° |
| 60 Wide Flood | 54° | 55° | 57° | n/a | n/a | n/a | 60-NFL-WD Wide Flood | 57° |

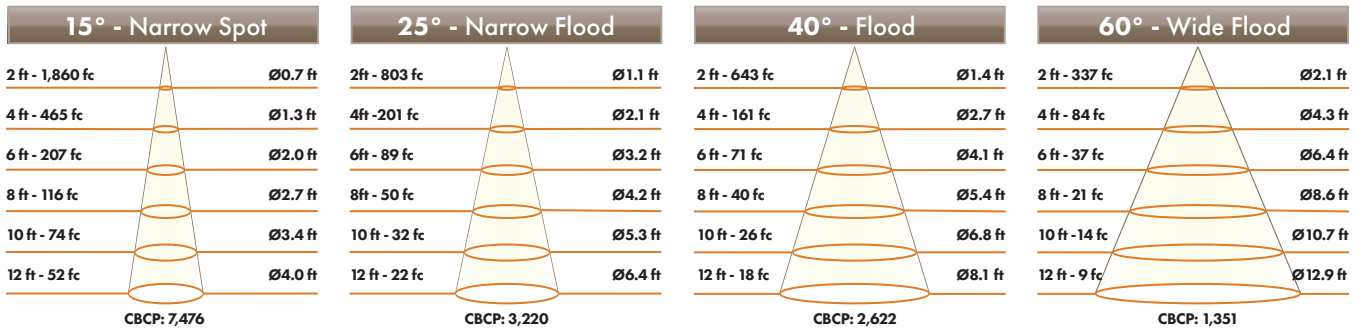
*Beam enhancing lens used in combination with **HI** LED option and 15°, 25°, 40°, or 60° optic to achieve desired beam spread (**HI** LED only)

202-S-RM-HI/202-S-BV-RM-HI CONE OF LIGHT DIAGRAMS

202-S-RM-HI-3000/FLS-2

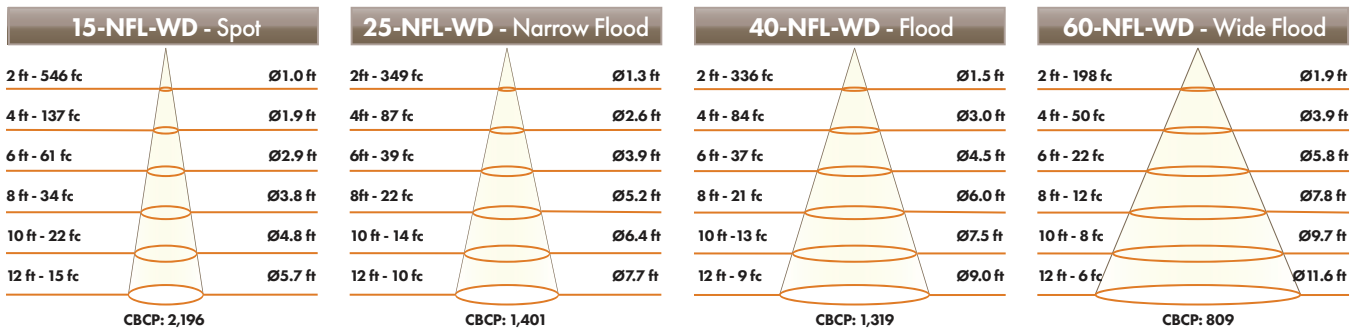


202-S-BV-RM-HI-3000/FLS-2-BV



202-S-RM-WD/202-S-BV-RM-WD WARM DIM CONE OF LIGHT DIAGRAMS

202-S-RM-WD/FLS-2



202-S-BV-RM-WD/FLS-2-BV

