

**202-R-RM/202-R-BV-RM REMODEL ADJUSTABLE LED
FLR-2/FLR-2-BV TRIMS
NON-IC + AIRTIGHT RATED**



526 Portal Street
Cotati, CA 94931
USA
P 707.794.0888
www.8lighting.com

All No. 8 Lighting fixtures and components are UL Listed to both U.S. and Canadian requirements. No. 8 Lighting trims and lamp modules are protected by one or more U.S. Patents. No. 8 Lighting reserves the right to change details of design, materials, and finish.

© 2024 No. 8 Lighting
Doc # 91409-13.3



Project Name	
Date	Type
Prepared By	
Comments	
Catalog #	- - - - / - / - - -

PRODUCT FEATURES



202-R-RM/202-R-BV-RM
ROUND ADJUSTABLE
LIGHT ENGINE + POWER SUPPLY



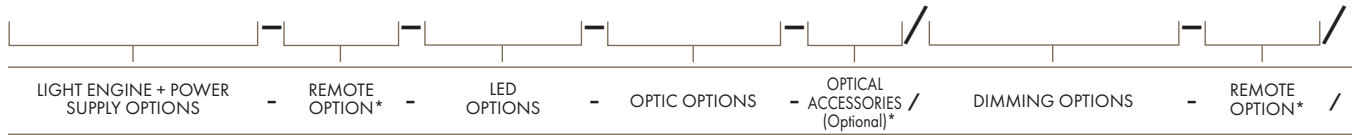
200 SERIES TRIMS
FLANGED or FLANGELESS

202-R-RM/202-R-BV-RM SPECIFICATION SUMMARY

	Static White				Warm Dimming	
	HI-2700	HI-3000	HI-3500	HI-4000	WD	WD-2
LED Option	HI-2700	HI-3000	HI-3500	HI-4000	WD	WD-2
Delivered Lumens	1063	1119	1164	1198	746	724
System Wattage	14	14	14	14	15	15
Efficacy	76	80	83	86	50	48
CRI	92+	92+	92+	92+	97+	95+
R9	61	57	61	58	81	74
CCT	2700K	3000K	3500K	4000K	3000-1800K	2800-2200K
Color Consistency	2-Step				3-Step	
Optic Options	15, 25, 40, 60				15-NFL, 25-NFL, 40-NFL, 60-NFL	
Optical Accessories	Narrow, Medium, Wide, Extra Wide, Linear Spread				N/A	
Adjustability	0-30° Tilt, 360° Rotation					
Dimming Options	INTEGRAL: <1/5% Forward/Reverse Phase (120v), 0.1/1/5% 0-10v (120-277v), 0.1/1% DALI (120-277v), 0.1/1% EcoSystem (120 or 277v) REMOTE: <1% Forward/Reverse Phase (120v), 0.1/1% 0-10v (120-277v), 0.1/1% DALI (120-277v), 1% EcoSystem (120 or 277v)					
Trim Options	Round Flat, Round Bevel					
Finish Options	White, Oil-Rubbed Bronze, Satin Aluminum, Satin Aluminum w/ White Flange					
Trim Mounting Options	Flanged, Flangeless Sheetrock					
Trim Lens Options	UL Wet Listed - Clear, Soft Focus					
Mounting Options	Remodel: Type Non-IC Air-Tight					

Performance data shown with FLR-2-BV Trim.
Warm Dimming data shown for 3000K and 2800K.
See Performance Summaries for additional information.

PRODUCT SPECIFIER/PRODUCT ORDER NUMBER



LIGHT ENGINE + POWER SUPPLY OPTIONS

REMOTE OPTION*

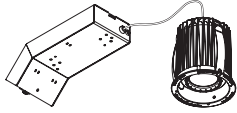
LED OPTIONS

OPTIC OPTIONS

OPTICAL ACCESSORIES / (Optional)*

DIMMING OPTIONS

REMOTE OPTION* /



202-R-RM
Adjustable REMODEL Light Engine + Power Supply with 0-30° tilt and 360° rotation for ROUND FLAT trim

202-R-BV-RM
Adjustable REMODEL Light Engine + Power Supply with 0-30° tilt and 360° rotation for ROUND BEVEL trim

AIRTIGHT and Type Non-IC Rated for installations where insulation can be held back 3" from sides and top.

RT
REMOTE Mounted Power Supply
* Leave blank for integral dimming options.

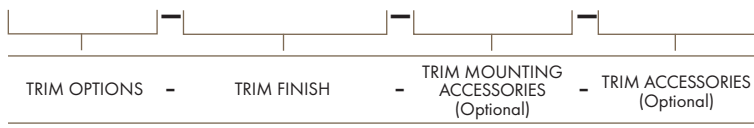
HI-2700
2700K 92+ CRI White
HI-3000
3000K 92+ CRI White
HI-3500
3500K 92+ CRI White
HI-4000
4000K 92+ CRI White
WD
3000-1800K 97+ CRI Warm Dim
WD-2
2800-2200K 95+ CRI Warm Dim

15*
Narrow Spot
25*
Narrow Flood
40*
Flood
60*
Wide Flood
15-NFL-WD†
Spot
25-NFL-WD†
Narrow Flood
40-NFL-WD†
Flood
60-NFL-WD†
Wide Flood
* For use with HI LED option.
† For use with WD or WD-2 LED options.

NSP
Narrow Softening Lens
NFL
Medium Softening Lens
FL
Wide Softening Lens
WFL
Extra Wide Softening Lens
LS
Linear Spread Lens
* For use with HI LED option.

PR1-2-R
Premium Forward or Reverse-Phase <1% Dimming
DIM3-2-R*
Forward or Reverse-Phase 5% Dimming
DIM4-2-R*
0-0-10v 1% Dimming
EL1-2-R
EldoLED 0-10v 1% Dimming
EL1-01-2-R
EldoLED 0-10v 0.1% Dimming
EL2-2-R
EldoLED DALI 1% Dimming
EL2-01-2-R
EldoLED 0.1% DALI Dimming
LU2-2-R
Lutron Hi-Lume LDE1 EcoSystem 1% Dimming
LU4-2-R*
Lutron Hi-Lume PEQOE EcoSystem 0.1% Dimming
* Not available with RT remote option.

RT
REMOTE Mounted Power Supply
* Leave blank for integral dimming options.



TRIM OPTIONS

TRIM FINISH

TRIM MOUNTING ACCESSORIES (Optional)

TRIM ACCESSORIES (Optional)

FLR-2
4-1/4" ROUND FLAT trim with 1-7/8" aperture

FLR-2-BV
4-1/4" ROUND BEVEL trim with 2-1/4" aperture

WH
WHITE
OB*
OIL-RUBBED BRONZE
SA*†
SATIN ALUMINUM
SAWH*†
SATIN ALUMINUM with WHITE flange
* Specialty finish.
† Not available with FLAT trim option.

FR-2-RM
ROUND FLANGELESS trim accessory for flush mounting FLR-2/FLR-2-BV trims in sheetrock ceiling applications in REMODEL installations

CL2*
CLEAR lens
SF2*
SOFT FOCUS lens
* UL Wet listed.

Maximum REMOTE Driver-to-LED Light Engine Wire Length	
Driver Model	Wire Gauge
PR1 / EL1 / EL1-01 / EL2 / EL2-01 / LU2-2-R-RT	
8 ft (2.5 m)	24 AWG (0.2 mm ²)
13 ft (4 m)	22 AWG (0.34 mm ²)
20 ft (6 m)	20 AWG (0.5 mm ²)
30 ft (9 m)	18 AWG (.75 mm ²)
35 ft (10.5 m)	16 AWG (1.5 mm ²)
50 ft (15 m)	14 AWG (2.5 mm ²)
100 ft (30 m)	12 AWG (4.0 mm ²)
Wire Type: Stranded Class 2 wire (supplied by others)	

Light Engine, LED, Optic Option, and Accessory Notes
202-R-RM/202-R-BV-RM Adjustable airtight REMODEL light engine with 0-30° tilt and 360° rotation for ROUND FLAT/BEVEL trim. Use for adjustable accent and general lighting applications. Includes INTEGRAL power supply (standard) or RT REMOTE mounted power supply (optional). To ensure fixture to fixture color consistency, use of the same LED option with adjacent fixtures is recommended. One field interchangeable optic option included standard. Up to one additional optical accessory can be accommodated.

Installation Notes
Accommodates sheetrock/wood/stone (tile) ceilings with thicknesses ranging from 1/2" (min) - 1-1/2" (max). Requires 5-1/2" (min) ceiling space above finished ceiling. Type Non-IC rated for installations where insulation is held back a minimum of 3" away from sides and top. Meets Washington State Airtight Standard WAC 51-11-0502 and in accordance with ASTM E283 to reduce energy loss. Ambient temperatures in ceiling space should not exceed 40°C (104°F) during normal operation.

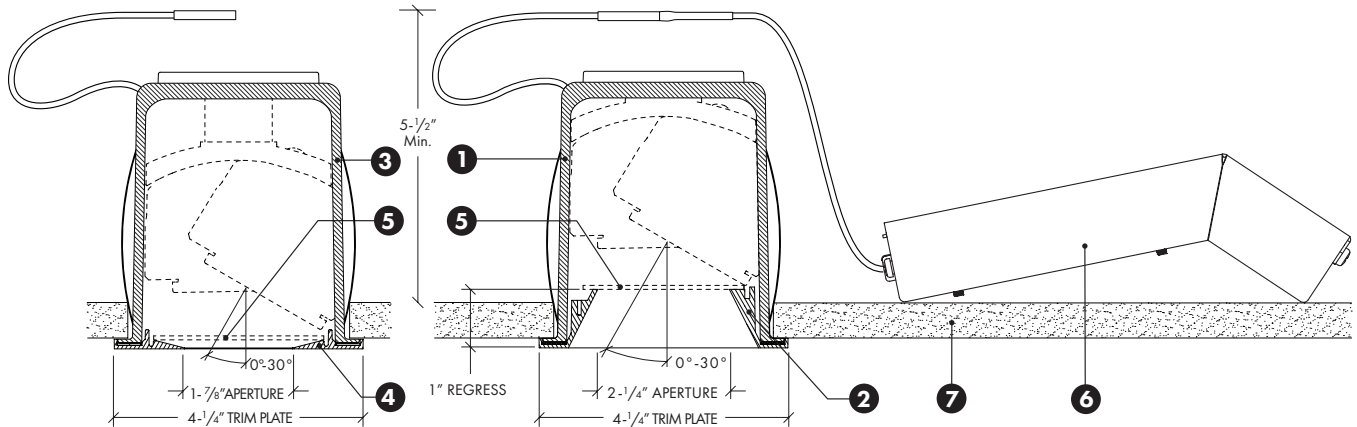
Dimming and Output Option Notes
0-10v dimming options are configured for linear control. DALI dimming options are configured for

logarithmic control. No.8 Lighting conducts extensive testing to establish compatibility with many dimmer types. For a complete list of compatible dimmers, see 8lighting.com/resources-downloads. Outputs vary depending on LED type, trim type, and optical accessories used. For photometric files in PDF and IES formats, see: 8lighting.com/200-series-photometry.

Trim Finish and Accessory Notes
White trim finish is field paintable to match ceiling color. Lot variations may occur with specialty finishes. Ordering ALL trim kits at the same time is recommended to minimize finish variations. Trim lens accessories are factory installed into trim plates and are UL WET LISTED and rated for use in DRY, DAMP, or WET locations (covered ceiling applications only). Approved for use in residential steam applications. Not for use in commercial steam applications.

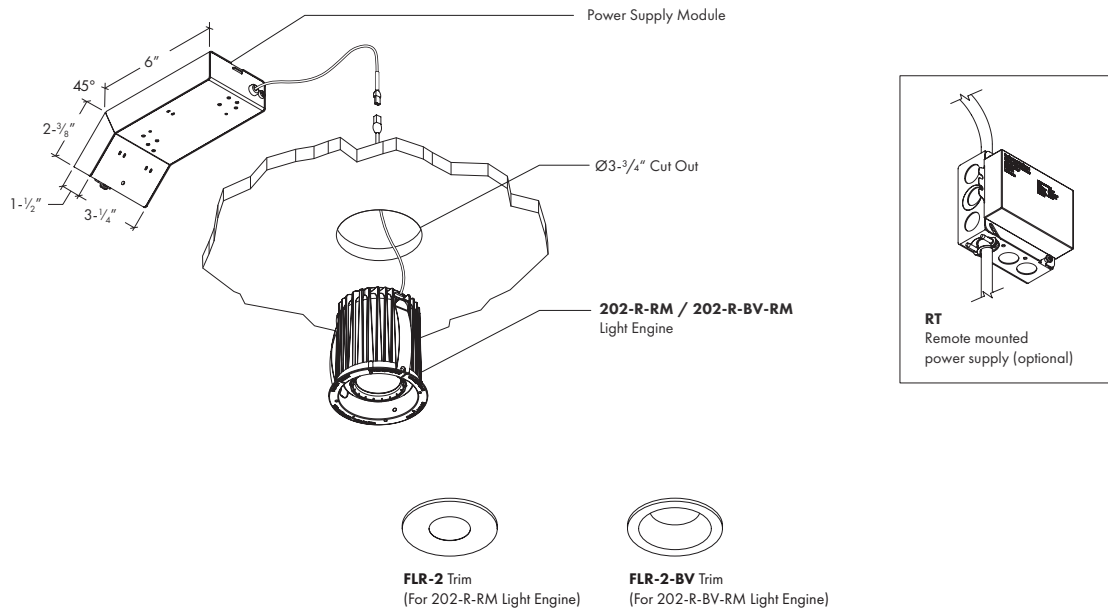
Warranty
All No. 8 Lighting products are covered by a 5 year limited warranty. Products installed in residential steam applications are covered by a 2 year limited warranty. For specific warranty details and limitations, see: 8lighting.com/resources-downloads.

202-R-RM/202-R-BV-RM REMODEL LIGHT ENGINE + POWER SUPPLY with FLANGED TRIM INSTALLATION



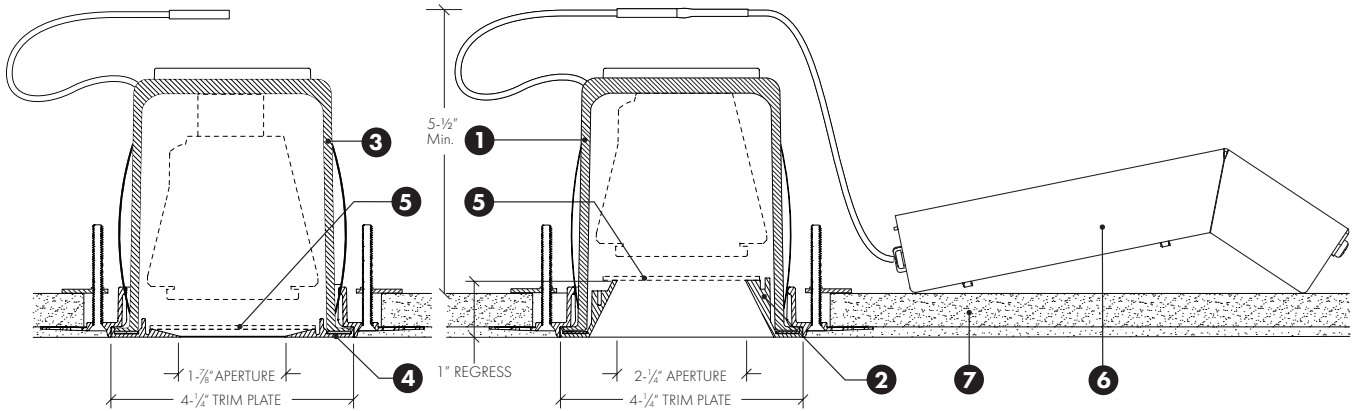
- 1) **202-R-BV-RM** Adjustable ROUND Light Engine for BEVEL trim.
- 2) **FLR-2-BV** Flanged ROUND BEVEL Trim.
- 3) **202-R-RM** Adjustable ROUND Light Engine for FLAT trim.
- 4) **FLR-2** Flanged ROUND FLAT Trim.
- 5) **CL2/SF2** (Optional) Clear or Soft Focus lens rated for use in DRY, DAMP, or WET locations (covered ceiling applications only).
- 6) **Power Supply/Junction Box** (shown) Installs from below finished ceiling and is accessible after installation. Requires 5-1/2" (Min.) clearance above ceiling for installation.
- RT** Remote mounted LED driver/junction box (not shown) can be mounted up to 100ft from fixture using 12AWG Class 2 stranded wire. See wire length table on Page 2.
- 7) **Ceiling Material** (Sheetrock/Wood/Stone) Accommodates ceiling thicknesses from 1/2" (min) to 1-1/2" (max) without affecting aiming or rotation.

202-R-RM/202-R-BV-RM REMODEL LIGHT ENGINE + POWER SUPPLY with FLANGED TRIM INSTALLATION



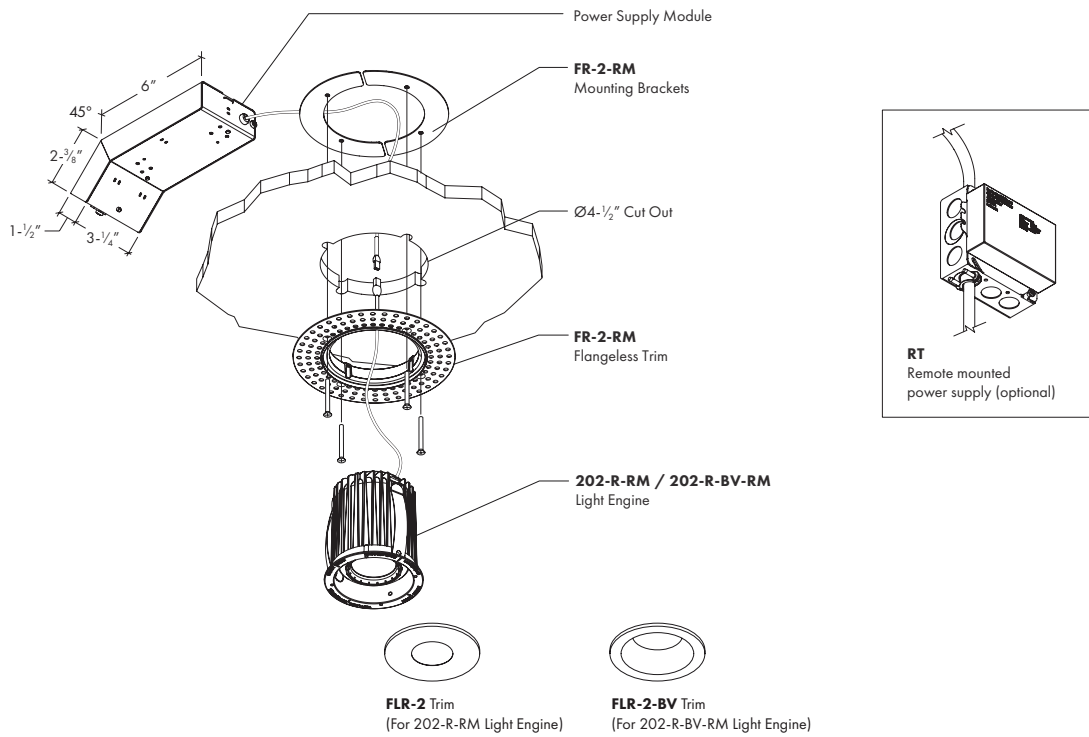
CEILING TYPES: Sheetrock, Wood & Stone | **CEILING THICKNESS:** 1/2" Min to 1-1/2" Max | **CUT-OUT:** Ø 3-3/4"

202-R-RM/202-R-BV-RM REMODEL LIGHT ENGINE + POWER SUPPLY with FR-2-RM FLANGELESS TRIM INSTALLATION



- 1) **202-R-BV-RM** Adjustable ROUND Light Engine for BEVEL trim.
- 2) **FLR-2-BV** Flanged ROUND BEVEL Trim + **FR-2-RM** ROUND FLANGELESS trim accessory.
- 3) **202-R-RM** Adjustable ROUND Light Engine for FLAT trim.
- 4) **FLR-2** Flanged ROUND FLAT Trim + **FR-2-RM** ROUND FLANGELESS trim accessory.
- 5) **CL2/SF2** (Optional) Clear or Soft Focus lens rated for use in DRY, DAMP, or WET locations (covered ceiling applications only).
- 6) **Power Supply/Junction Box** (shown) Installs from below finished ceiling and is accessible after installation. Requires 5-1/2" (Min.) clearance above ceiling for installation.
- RT** Remote mounted LED driver/junction box (not shown) can be mounted up to 100ft from fixture using 12AWG Class 2 stranded wire. See wire length table on Page 2.
- 7) **Ceiling Material** (Sheetrock) Accommodates ceiling thicknesses from 1/2" (min) to 1-1/2" (max) without affecting aiming or rotation.

202-R-RM/202-R-BV-RM REMODEL LIGHT ENGINE + POWER SUPPLY with FR-2-RM FLANGELESS TRIM INSTALLATION



CEILING TYPES: Sheetrock | **CEILING THICKNESS:** 1/2" Min to 1-1/2" Max | **CUT-OUT:** Ø 4-1/2"

202-R-RM/202-R-BV-RM w/ FLR-2/FLR-2-BV TRIM - PERFORMANCE SUMMARY

LED	CCT	CRI	R9	Delivered Lumens	System Wattage	Delivered LPW
HI-2700	2700K	92+	61	785 - 1063	14	56 - 76
HI-3000	3000K	92+	57	826 - 1119	14	59 - 80
HI-3500	3500K	92+	61	859 - 1164	14	61 - 83
HI-4000	4000K	92+	58	884 - 1198	14	63 - 86
WD	3000-1800K	97+	81	523 - 746	15	35 - 50
WD2	2800-2200K	95+	74	507 - 724	15	34 - 48

Performance range for **HI** LED with 15°, 25°, 40°, and 60° optic options.

Performance range for **WD** LED at 3000K and **WD-2** LED at 2800K with 15-NFL, 25-NFL, 40-NFL, and 60-NFL optic options.

LED OUTPUT MULTIPLIERS

LED	HI-2700, HI-3000, HI-3500 & HI-4000 LED				WD & WD-2 LED	
	HI-2700	HI-3000	HI-3500	HI-4000	WD	WD-2
<i>Multiplier</i>	0.95	1.0	1.04	1.07	1.0	0.97

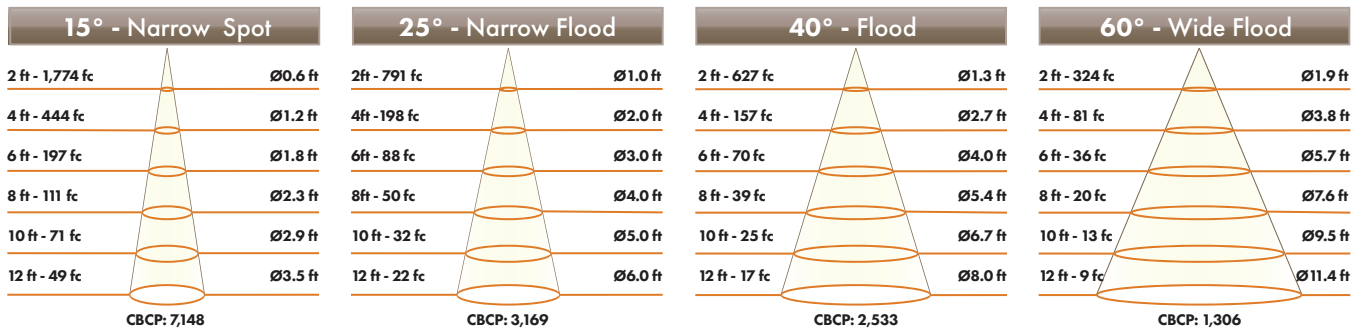
OPTICAL OPTIONS AND ACCESSORY PERFORMANCE SUMMARY

HI-2700, HI-3000, HI-3500 & HI-4000 LED							WD & WD-2 LED	
OPTIC OPTIONS	BEAM ANGLE	BEAM ENHANCING LENS (OPTIONAL)*					OPTIC OPTIONS	BEAM ANGLE
		+ NSP	+ NFL	+ FL	+ WFL	+ LS		
15 Narrow Spot	17°	20°	29°	49°	63°	20 x 47°	15-NFL-WD Spot	26°
25 Narrow Flood	27°	29°	36°	57°	71°	28 x 58°	25-NFL-WD Narrow Flood	34°
40 Flood	35°	36°	40°	n/a	n/a	n/a	40-NFL-WD Flood	40°
60 Wide Flood	54°	55°	57°	n/a	n/a	n/a	60-NFL-WD Wide Flood	57°

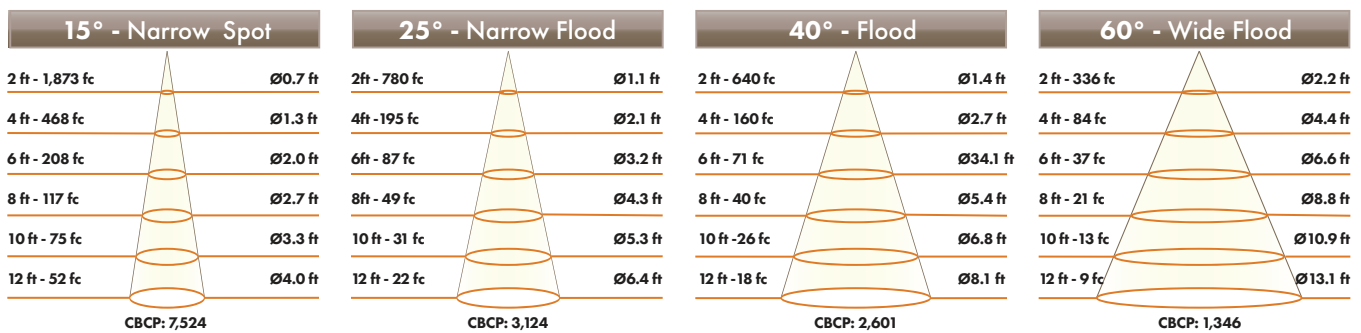
*Beam enhancing lens used in combination with **HI** LED option and 15°, 25°, 40°, or 60° optic to achieve desired beam spread (**HI** LED only)

202-R-RM-HI/202-R-BV-RM-HI CONE OF LIGHT DIAGRAMS

202-R-RM-HI-3000/FLR-2

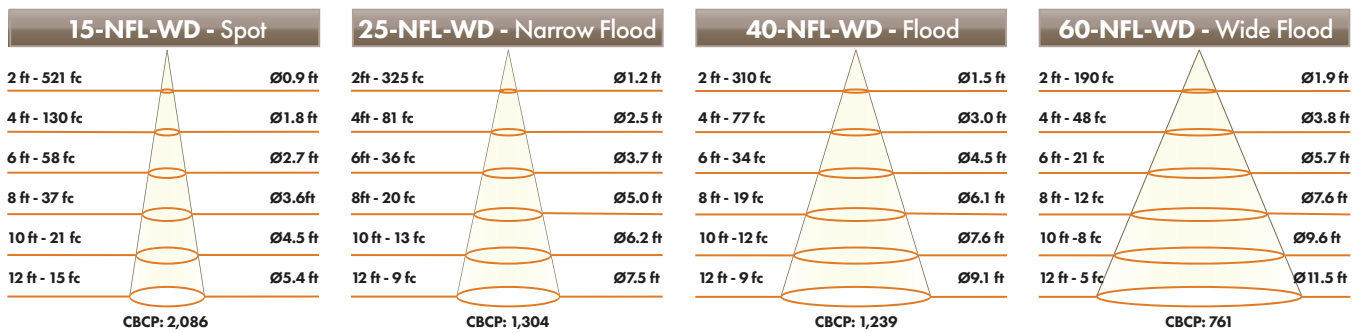


202-R-BV-RM-HI-3000/FLR-2-BV



202-R-RM-WD/202-R-BV-RM-WD WARM DIM CONE OF LIGHT DIAGRAMS

202-R-RM-WD/FLR-2



202-R-BV-RM-WD/FLR-2-BV

