



INSTALLATION INSTRUCTIONS RECESSED MODEL SERIES 805

WARNING: Read and understand these instructions completely before installation. To be installed by qualified electricians only. Products should be installed in accordance with these instructions, local electrical codes, and the National Electric Code (NEC). These products may represent a possible shock or fire hazard if improperly installed.

CAUTION: Disconnect power at circuit breaker or fuse panel before installation or servicing. Always allow LED assembly to cool before servicing. Do not connect or disconnect LED lamp module wire connector when fixture is energized as this may result in permanent damage to the LED. Do not install where insulation or ambient temperatures will exceed maximum values noted in product specifications. Do not install in steam showers.

NOTE: Number Eight Lighting fixtures are designed to meet the latest NEC requirements and are listed in full compliance with UL standards. Before attempting installation, check your local electrical code which sets the wiring standards and installation requirements for your locality and should be understood before starting work.

SAVE THESE INSTRUCTIONS.

HOUSING INSTALLATION INSTRUCTIONS RECESSED MODEL 805 SERIES

Mounting Hanger Bars

STEP 1 Important: Before attaching Hanger Bar Bracket you must determine Trim Model to be used (refer to Trim Types on Page 2).

Select upper or lower Bracket hole position (refer to **Table 1.1 Hanger Bracket Positioning Chart**).

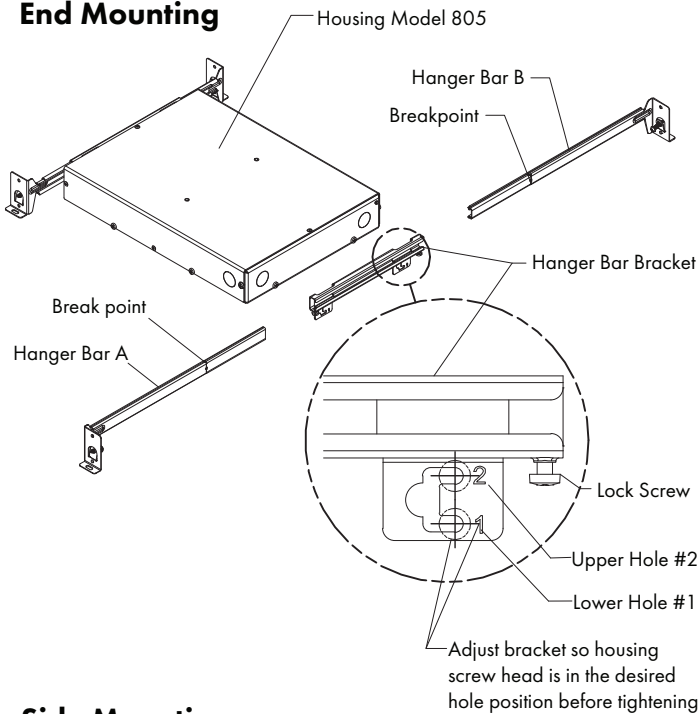
Note: Ceiling thickness is measured from bottom face of ceiling joist to bottom face of ceiling. Refer to **800 Series** trim installation instructions for additional details - see www.8lighting.com/resources-downloads/.

STEP 2 Loosen 2 screws slightly on Housing to attach or adjust each Hanger Bar Bracket. Position Hanger Bar Bracket in hole position #1 or #2 and secure screws – **FIG 1.1** and **1.2**.

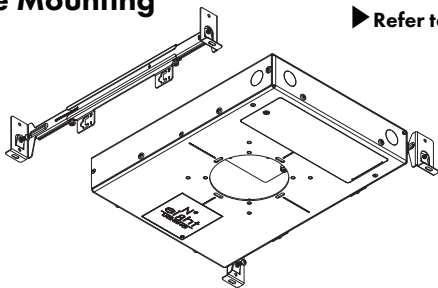
STEP 3 Assemble Hanger Bar A and B through each Hanger Bar Bracket to slide onto each other. The ends should have 1" minimum overlap.

Note: Hanger Bars can be shortened at break locations shown – **FIG 1.1**.

End Mounting



Side Mounting



► Refer to Table 1.1 above

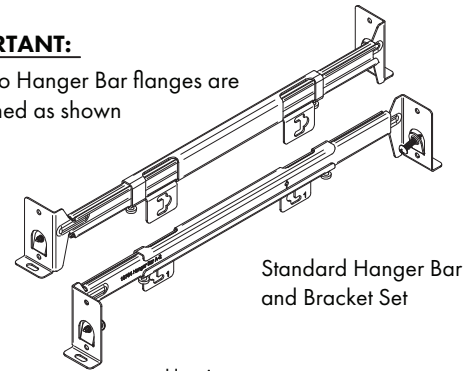
800 Series Trim Models	For Ceiling Thickness Range	Hole Position #
FR-P, FS-P	1/2" to 1"	Lower #1
INR-P, INS-P, INR-BV-P, INS-BV-P	1/2" to 1"	Upper #2
	1" to 1-1/2"	Lower #1
FS-W, FLS-W	1/4" to 3/4"	Upper #2
	3/4" to 1-1/2"	Lower #1
INS-W, FLINS-W, INS-BV-W, FLINS-BV-W	1/2" to 1"	Upper #2
	1" to 1-1/2"	Lower #1
FR-W, FLR-W	Standard Mounting Ring	1/2" to 1"
		1" to 1-1/2"
INR-W, FLINR-W, INR-BV-W, FLINR-BV-W	Short Mounting Ring	1/2" to 3/4"
	Tall Mounting Ring	1" to 1-1/4"
		3/4" to 1"
		1-1/4" to 1-1/2"

Note: Refer to pages 3 & 4 for J5 Lamp Module adjustment angle range.



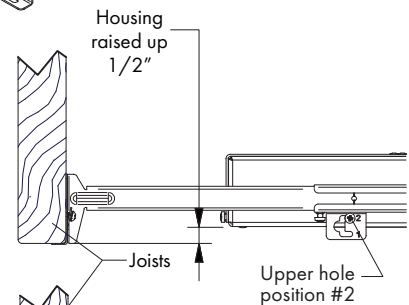
IMPORTANT:

Install so Hanger Bar flanges are positioned as shown

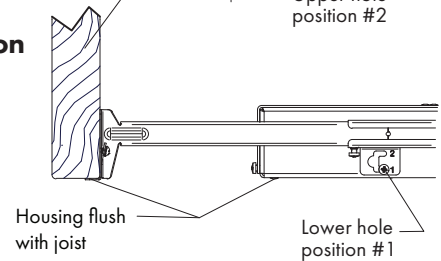


Standard Hanger Bar and Bracket Set

Hole Position Upper #2



Hole Position Lower #1



Caution: !

Be sure to select correct hole position for intended Trim assembly. Changing hole position is not possible, after ceiling is installed.

FIG 1.1 Installing Hanger Bar and Hanger Bracket Set

FIG 1.2 Hole Position and Housing Location



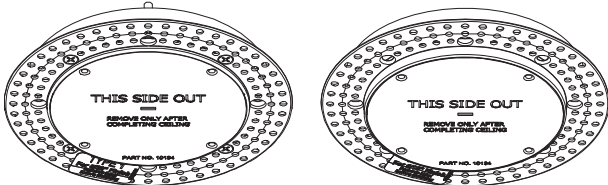
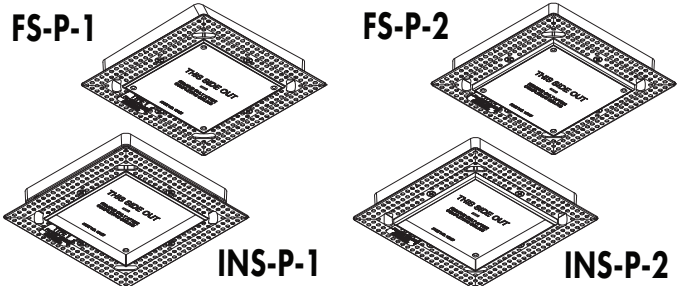
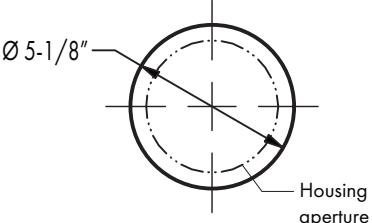
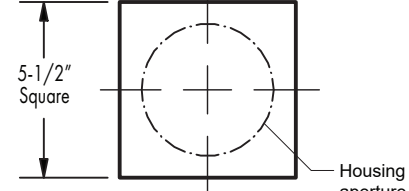
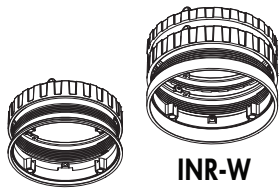
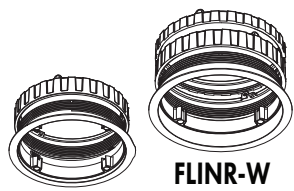
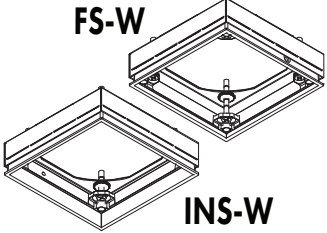
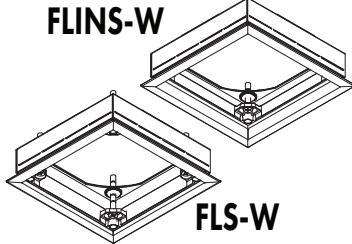
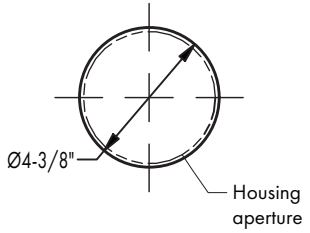
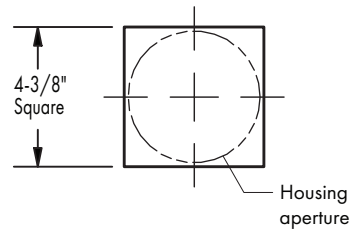
HOUSING INSTALLATION INSTRUCTIONS RECESSED MODEL 805 SERIES

Ceiling Cutouts for 800 Series Trims

STEP 1 Accurately measure housing aperture center for cutout location.

⚠ Important: Cutout location accuracy is critical, always double check measurements before cutting.

STEP 2 Cut openings in ceiling material as dimensioned below.

Round Plaster Trims		Square Plaster Trims	
Trim Model	 <p>FR-P-1 FR-P-2</p>	 <p>FS-P-1 FS-P-2 INS-P-1 INS-P-2</p>	
	<p>Round Plaster Trim Cutouts</p>  <p>∅ 5-1/8"</p> <p>Housing aperture</p> <p>(shown at larger scale)</p> <p>Round Trim Cutout Tolerances: Cutouts ± 1/16"</p>	<p>Square Plaster Trim Cutouts</p>  <p>5-1/2" Square</p> <p>Housing aperture</p> <p>(shown at larger scale)</p> <p>Square Trim Cutout Tolerances: Cutouts +1/8"</p>	
Round Wood Trims		Square Wood Trims	
Trim Model	<p>Non-flanged</p>  <p>FW-R INR-W</p> <p>Flanged</p>  <p>FLR-W FLNR-W</p>	<p>Non-flanged</p>  <p>FS-W INS-W</p> <p>Flanged</p>  <p>FLINS-W FLS-W</p>	
	<p>Important: All Non-flanged cutouts to have clean, sharp edges</p>	<p>Important: All Non-flanged cutouts must have clean, sharp edges and corners</p>	
<p>Round Wood Trims</p>  <p>∅4-3/8"</p> <p>Housing aperture</p> <p>(shown at larger scale)</p> <p>Round Wood Cutout Tolerances: FR-W ± 1/32" INR-W ± 1/32" FLR-W +1/8" / -1/32" FLNR-W +1/8" / -1/32"</p>	<p>Square Wood Trims</p>  <p>4-3/8" Square</p> <p>Housing aperture</p> <p>(shown at larger scale)</p> <p>Square Wood Cutout Tolerances: FR-W ± 1/32" INR-W ± 1/32" FLR-W +1/8" / -1/16" FLNR-W +1/8" / -1/16"</p>		



HOUSING INSTALLATION INSTRUCTIONS

RECESSED MODEL 805 SERIES

805/J5 Vertical Aiming Range - Plaster Ceiling Trims

800 Series Trim Models	Ceiling Thickness	HB Hole Position*	Overall Trim Depth	Maximum Vertical Aiming Angle No Trim Plate Lens			Maximum Vertical Aiming Angle With Trim Plate Lens		
				No Accessory	1 Accessory	2 Accessory	No Accessory	1 Accessory	2 Accessory
FR-P, FS-P	1/2"	1	1/2"	34°	30°	29°	30°	25°	24°
	5/8"	1	5/8"	35°	35°	35°	35°	30°	28°
	3/4"	1	3/4"	35°	35°	35°	35°	34°	31°
	1"	1	1"	35°	35°	35°	35°	35°	35°
INR-P, INS-P	1/2"	2	1"	34°	34°	34°	35°	30°	28°
	5/8"	2	1-1/8"	35°	35°	35°	35°	35°	33°
	3/4"	2	1-1/4"	35°	35°	35°	35°	35°	35°
	1"	2	1-1/2"	35°	35°	35°	35°	35°	35°
INR-P, INS-P	1"	1	1"	34°	34°	34°	35°	30°	28°
	1-1/8"	1	1-1/8"	35°	35°	35°	35°	35°	33°
	1-1/4"	1	1-1/4"	35°	35°	35°	35°	35°	35°
	1-1/2"	1	1-1/2"	35°	35°	35°	35°	35°	35°
INR-BV-P, INS-BV-P	1/2"	2	1"	32°	26°	26°	32°	25°	24°
	5/8"	2	1-1/8"	35°	32°	31°	35°	31°	30°
	3/4"	2	1-1/4"	35°	35°	35°	35°	35°	34°
	1"	2	1-1/2"	35°	35°	35°	35°	35°	35°
INR-BV-P, INS-BV-P	1"	1	1"	32°	26°	26°	32°	25°	24°
	1-1/8"	1	1-1/8"	35°	32°	31°	35°	31°	30°
	1-1/4"	1	1-1/4"	35°	35°	35°	35°	35°	34°
	1-1/2"	1	1-1/2"	35°	35°	35°	35°	35°	35°

*Hanger Bar Position 1 = Housing Flush w/ Face of Framing. Hanger Bar Position 2 = Housing 1/2" Above Face of Framing.

805/J5 Vertical Aiming Range - SQUARE Wood Ceiling Trims

800 Series Trim Models	Ceiling Thickness	HB Hole Position*	Overall Trim Depth	Maximum Vertical Aiming Angle No Trim Plate Lens			Maximum Vertical Aiming Angle With Trim Plate Lens		
				No Accessory	1 Accessory	2 Accessory	No Accessory	1 Accessory	2 Accessory
FS-W, FLS-W	1/4"	2	3/4"	35°	34°	31°	32°	28°	25°
	3/8"	2	7/8"	35°	35°	35°	35°	34°	29°
	1/2"	2	1"	35°	35°	35°	35°	35°	35°
	5/8"	2	1-1/8"	35°	35°	35°	35°	35°	35°
	3/4"	2	1-1/4"	35°	35°	35°	35°	35°	35°
FS-W, FLS-W	3/4"	1	3/4"	35°	34°	31°	32°	28°	25°
	7/8"	1	7/8"	35°	35°	35°	35°	34°	29°
	1"	1	1"	35°	35°	35°	35°	35°	35°
	1-1/8"	1	1-1/8"	35°	35°	35°	35°	35°	35°
	1-1/4"	1	1-1/4"	35°	35°	35°	35°	35°	35°
INS-W, FLINS-W	1-1/2"	1	1-1/2"	35°	35°	35°	35°	35°	35°
	1/2"	2	1"	34°	29°	27°	29°	24°	21°
	5/8"	2	1-1/8"	35°	34°	32°	33°	29°	26°
	3/4"	2	1-1/4"	35°	35°	35°	35°	35°	32°
	1"	2	1-1/2"	35°	35°	35°	35°	35°	35°
INS-W, FLINS-W	1"	1	1"	34°	29°	27°	29°	24°	21°
	1-1/8"	1	1-1/8"	35°	34°	32°	33°	29°	26°
	1-1/4"	1	1-1/4"	35°	35°	35°	35°	35°	32°
	1-1/2"	1	1-1/2"	35°	35°	35°	35°	35°	35°
INS-BV-W, FLINS-BV-W	1/2"	2	1"	24°	20°	20°	23°	18°	16°
	5/8"	2	1-1/8"	28°	25°	22°	27°	25°	20°
	3/4"	2	1-1/4"	34°	28°	26°	33°	26°	22°
	1"	2	1-1/2"	35°	35°	35°	35°	35°	35°
INS-BV-W, FLINS-BV-W	1"	1	1"	24°	20°	20°	23°	18°	16°
	1-1/8"	1	1-1/8"	28°	25°	22°	27°	25°	20°
	1-1/4"	1	1-1/4"	34°	28°	26°	33°	26°	22°
	1-1/2"	1	1-1/2"	35°	35°	35°	35°	35°	35°

*Hanger Bar Position 1 = Housing Flush w/ Face of Framing. Hanger Bar Position 2 = Housing 1/2" Above Face of Framing.



HOUSING INSTALLATION INSTRUCTIONS

RECESSED MODEL 805 SERIES

805/J5 Vertical Aiming Range - ROUND Wood Ceiling Trims

800 Series Trim Models	Mounting Ring	Ceiling Thickness	HB Hole Position*	Overall Trim Depth	Maximum Vertical Aiming Angle No Trim Plate Lens			Maximum Vertical Aiming Angle With Trim Plate Lens		
					No Accessory	1 Accessory	2 Accessory	No Accessory	1 Accessory	2 Accessory
FR-W, FLR-W	Standard	1/2"	2	1"	35°	35°	35°	35°	35°	35°
		5/8"	2	1-1/8"	35°	35°	35°	35°	35°	35°
		3/4"	2	1-1/4"	35°	35°	35°	35°	35°	35°
		1"	2	1-1/2"	35°	35°	35°	35°	35°	35°
FR-W, FLR-W	Standard	1"	1	1"	35°	35°	35°	35°	35°	35°
		1-1/8"	1	1-1/8"	35°	35°	35°	35°	35°	35°
		1-1/4"	1	1-1/4"	35°	35°	35°	35°	35°	35°
		1-1/2"	1	1-1/2"	35°	35°	35°	35°	35°	35°
INR-W, FLINR-W	Short	1/2"	2	1"	32°	26°	25°	27°	23°	19°
		5/8"	2	1-1/8"	35°	33°	31°	33°	28°	26°
		3/4"	2	1-1/4"	35°	35°	35°	35°	33°	31°
INR-W, FLINR-W	Short	1"	1	1"	32°	26°	25°	27°	23°	19°
		1-1/8"	1	1-1/8"	35°	33°	31°	33°	28°	26°
		1-1/4"	1	1-1/4"	35°	35°	35°	35°	33°	31°
INR-W, FLINR-W	Tall	3/4"	2	1-1/4"	35°	35°	35°	35°	33°	31°
		1"	2	1-1/2"	35°	35°	35°	35°	35°	35°
INR-W, FLINR-W	Tall	1-1/4"	1	1-1/4"	35°	35°	35°	35°	33°	31°
		1-1/2"	1	1-1/2"	35°	35°	35°	35°	35°	35°
INR-BV-W, FLINR-BV-W	Short	5/8"	2	1-1/8"	30°	27°	26°	30°	25°	21°
		3/4"	2	1-1/4"	34°	32°	30°	33°	30°	27°
INR-BV-W, FLINR-BV-W	Short	1"	1	1"	25°	22°	22°	24°	20°	17°
		1-1/8"	1	1-1/8"	30°	27°	26°	30°	25°	21°
		1-1/4"	1	1-1/4"	34°	32°	30°	33°	30°	27°
INR-BV-W, FLINR-BV-W	Tall	3/4"	2	1-1/4"	34°	32°	30°	34°	30°	27°
		1"	2	1-1/2"	35°	35°	35°	35°	35°	35°
INR-BV-W, FLINR-BV-W	Tall	1-1/4"	1	1-1/4"	34°	32°	30°	34°	30°	27°
		1-1/2"	1	1-1/2"	35°	35°	35°	35°	35°	35°

* Hanger Bar Position 1 = Housing Flush w/ Face of Framing. Hanger Bar Position 2 = Housing 1/2" Above Face of Framing.



HOUSING INSTALLATION INSTRUCTIONS

RECESSED MODEL SERIES 805

Mounting Housing To Joists and Sticker Application

STEP 1 Spread Hanger Bars to approximate joist spacing. Temporarily secure Lock Screws to keep Housing from sliding along Hanger Bars – **FIG 5.1 and 5.2.**

Note: For Sloped Ceilings - Installing Housing so J Box Cover faces wall is recommended for maximum adjustment on applicable Lamp Modules – **FIG. 5.3.**

STEP 2 Secure Housing and Hanger Bar assembly to Joists using either the fasteners supplied on Hanger Bars or fasteners through alternate mounting holes – **FIG 5.1.**

STEP 3 Reposition Housing along Hanger Bars as needed. Use guide lines to help locate Housing relative to nearby walls or other fixtures – **FIG 5.1 and 5.2.**

STEP 4 Apply Stickers over unused holes and slots as shown to prevent light leaks and maintain airtight standards compliance. No caulking required – **FIG 5.4.**

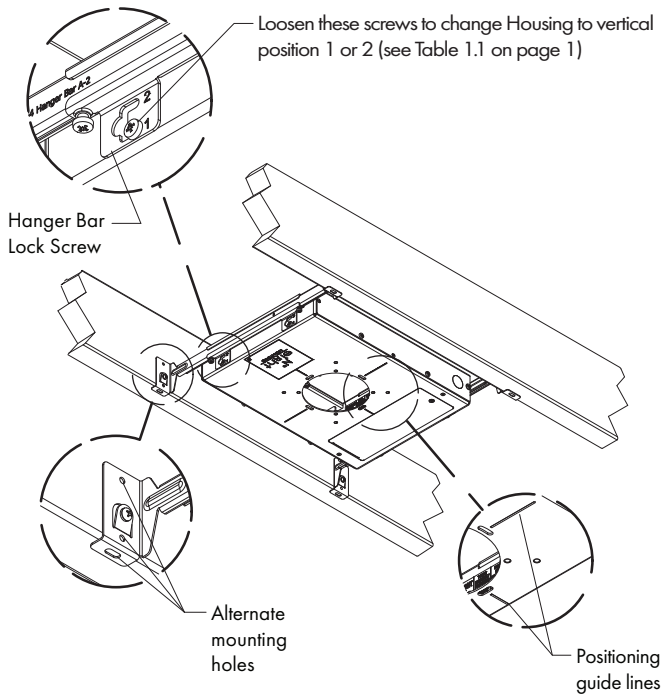


FIG 5.1 Fastening Housing to joists

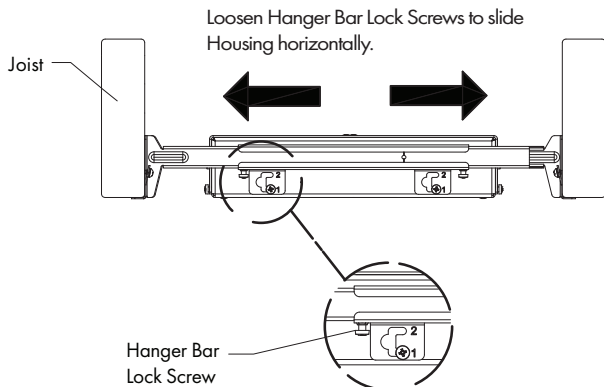


FIG 5.2 Horizontal Housing adjustment

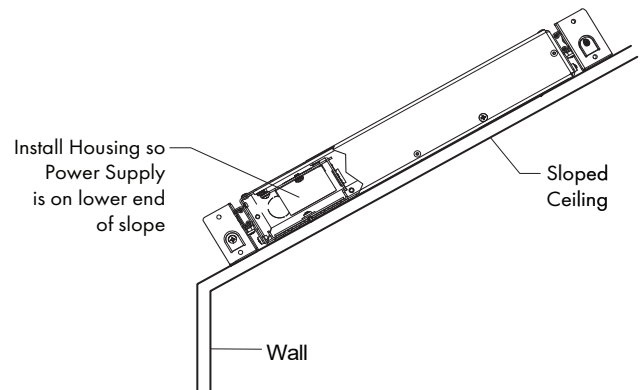
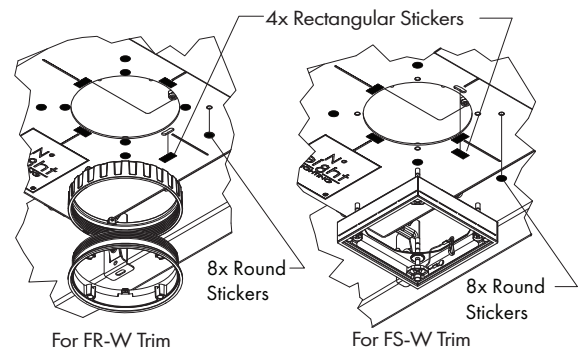


FIG 5.3 Recommended Sloped Ceiling Orientation

! **IMPORTANT** For Airtight Compliance - Stickers are required on all 805 Housings

Wood/Stone Ceiling



Plaster/Sheetrock Ceiling

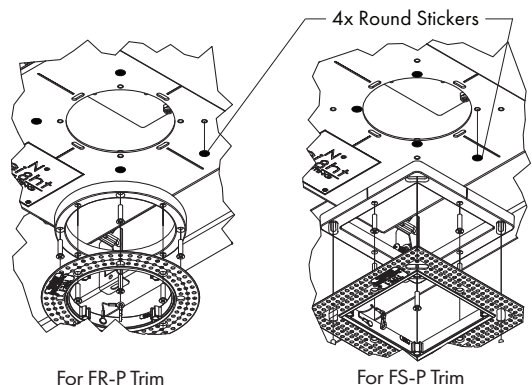


FIG 5.4 Sticker Application



LAMP MODULE INSTRUCTIONS RECESSED MODEL SERIES 805

J5 Lamp Module Adjustment, Removal, and Replacement

Aiming and Adjustment

STEP 1 Loosen (DO NOT REMOVE) Horizontal Lock Screw and rotate the entire J5 lamp Module to desired horizontal rotation adjustment.

Use Horizontal Lock Screw to secure the horizontal adjustment - **FIG 6.3**.

STEP 2 Loosen Vertical Lock Knob and adjust J5 Lamp Module to desired vertical aiming position. Tighten Lock Knob to secure the vertical adjustment - **FIG 6.1**.

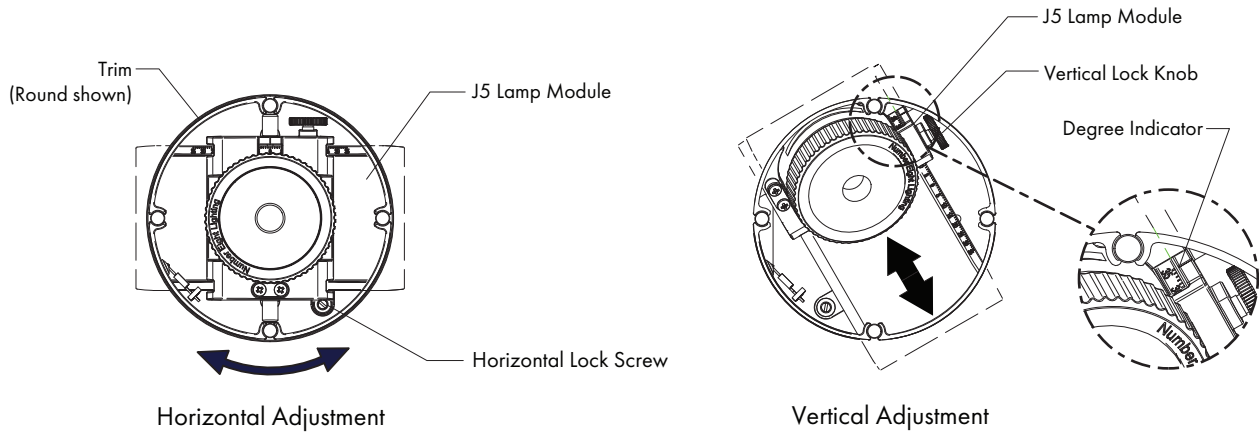


FIG 6.1 J5 Aiming Adjustment

Removal

STEP 1 Remove Trim Plate. Unscrew Lens Ring and Optic Assembly and remove from Snoot. Loosen Vertical Stop Knob and adjust Lamp Module to 30° to position Key Slot over the Mounting Screw as shown - **FIG 6.2**.

STEP 2 Loosen 1/8" Hex Mounting Screw (DO NOT REMOVE) using 1/8" Hex Key through Key Slot in Snoot. Remove J5 Lamp Module through trim aperture and disconnect wire connectors - **FIG 6.2 and 6.3**.

Replacement

STEP 1 Replace existing J5 Lamp Module by following removal instructions above.

STEP 2 Install J5 Lamp Module through trim aperture and connect wire connectors making sure not to trap wiring underneath - **FIG 6.3**.

STEP 3 Fasten Mounting Screw into threaded hole using 1/8" Hex Torque Driver set to **1.5 Nm** (DO NOT OVERTIGHTEN). For 1/8" Hex Torque Driver details, contact Number Eight Lighting Customer Service at www.8lighting.com - **FIG 6.2**.

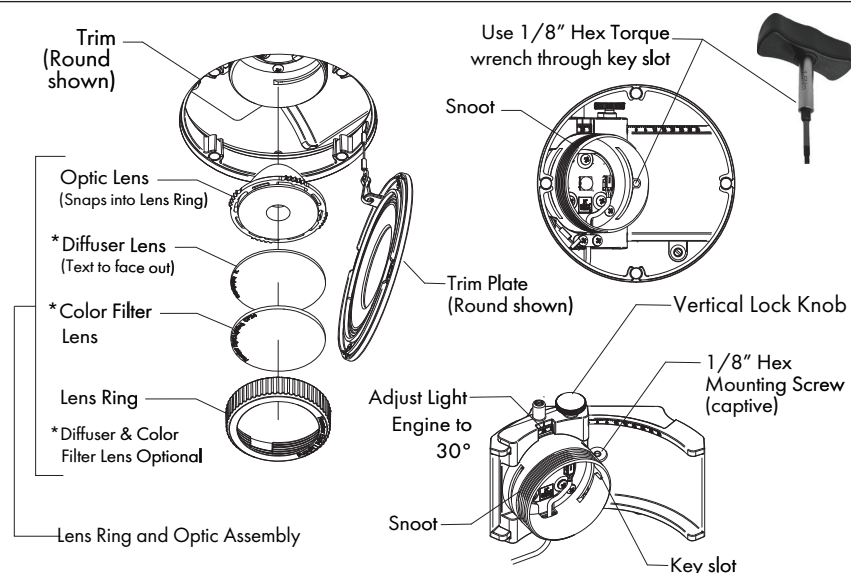


FIG 6.2 J5 Lamp Module Mounting

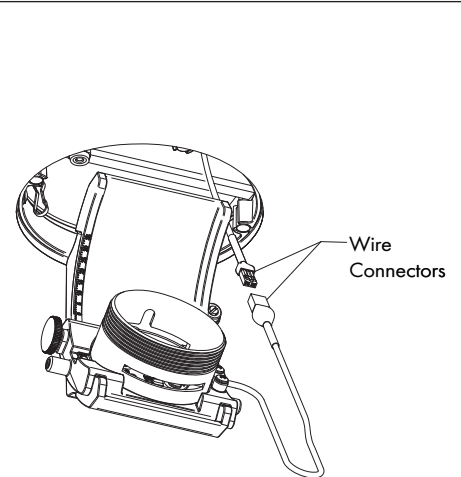


FIG 6.3 Remove/Replace J5 Lamp Module



LAMP MODULE INSTRUCTIONS

RECESSED MODEL SERIES 805

K5 and W5 Lamp Module Adjustment, Removal, and Replacement

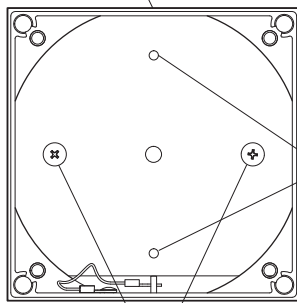
W5 Lamp Module Orientation Adjustment

Note: The **W5** Wall Wash Lamp Module can be installed in 4 different orientations at 90° intervals to direct light toward the wall. Two orientations will require Mounting Screws for the Lamp Module to be relocated as shown in **FIG 7.1**.

STEP 1 Loosen Mounting Screws and disengage **W5** Lamp Module. Relocate screws if required - **FIG 7.1 and 7.2**.

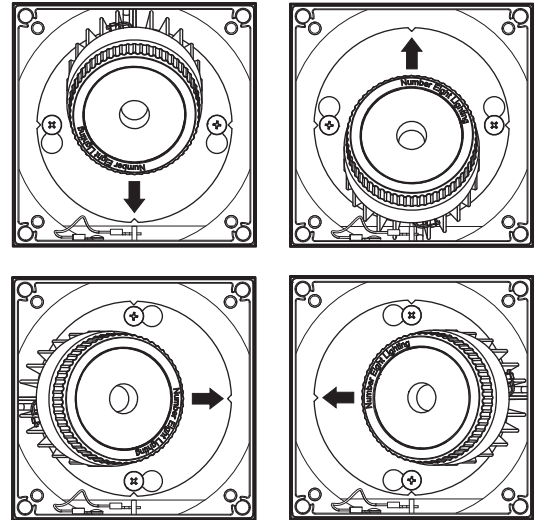
STEP 2 Replace Lamp Module into desired orientation making sure slots are fully seated against screws. Re-tighten screws securely (**DO NOT OVERTIGHTEN**) - **FIG 7.3**.

Ceiling Trim Aperture
(Square Trim shown)



Relocate 2x Mounting Screws here for alternate Lamp Module orientations

K5/W5 Mounting Screws



Note: Two of the orientations shown at the right will require the Lamp Module Mounting Screws to be relocated as shown above.

All **W5** Wall Wash Lamp Module orientations possible are shown above. Arrow points towards direction of wall-See **Page 7** for Wall Wash adjustment information.

FIG 7.1 W5 Lamp Module Orientation Adjustment

Removal

STEP 1 Remove Trim Plate and loosen 2x short screws slightly (**DO NOT REMOVE**) - see note below). Slide Lamp Module to disengage from housing - **FIG 7.2**.

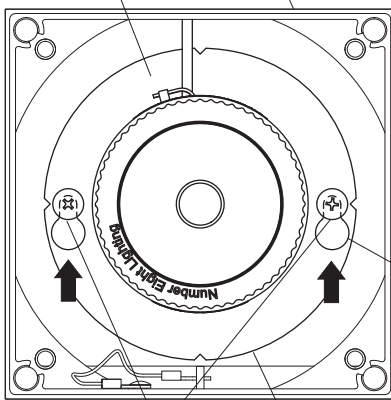
STEP 2 Remove Lamp Module and disconnect wire connectors - **FIG 7.3**.

Replacement

Follow steps above in reverse order. **Note:** If replacing K5 or W5 Lamp Module with J5 Lamp Module, remove 2x Lamp Module Mounting Screws shown in **FIG 7.1 and 7.2**.

Lamp Module
(K5 shown)

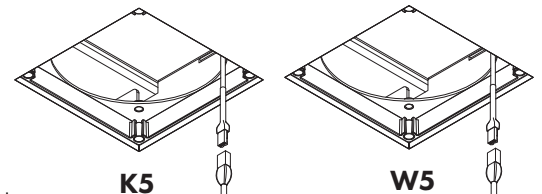
Trim Aperture
in ceiling (Square Trim shown)



Keyhole slot

2x Screws
#8-32 x 3/16"

Slide Lamp Module to disengage



K5

W5

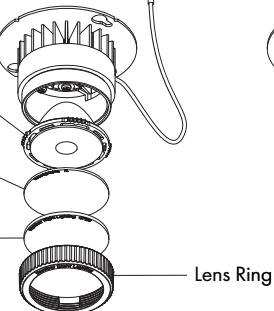
Lens Ring and
Optic Assembly

Optic Lens
(Snaps into Lens Ring)

* Diffuser Lens
(Text to face out)

* Color Filter
Lens

* Diffuser & Color
Filter Lens Optional



Lens Ring

FIG 7.2 K5/W5 Lamp Module Mounting

FIG 7.3 Remove/Replace K5/W5 Lamp Modules



LAMP MODULE INSTRUCTIONS RECESSED MODEL SERIES 805

Wall Wash Adjustment

J5 & W5 Wall Aiming

STEP 1 For J5 Lamp Module only: Loosen Vertical Lock Knob and adjust to 20° and lock in position - **FIG 8.1.**

STEP 2 Orient J5 or W5 Lamp Module toward wall - **FIG 8.1.** **Note:** For additional W5 orientation details, see **Page 7, FIG 7.1**

STEP 3 Install WW-8 Trim Plate to be aligned to Lamp Module - **FIG 8.2.**

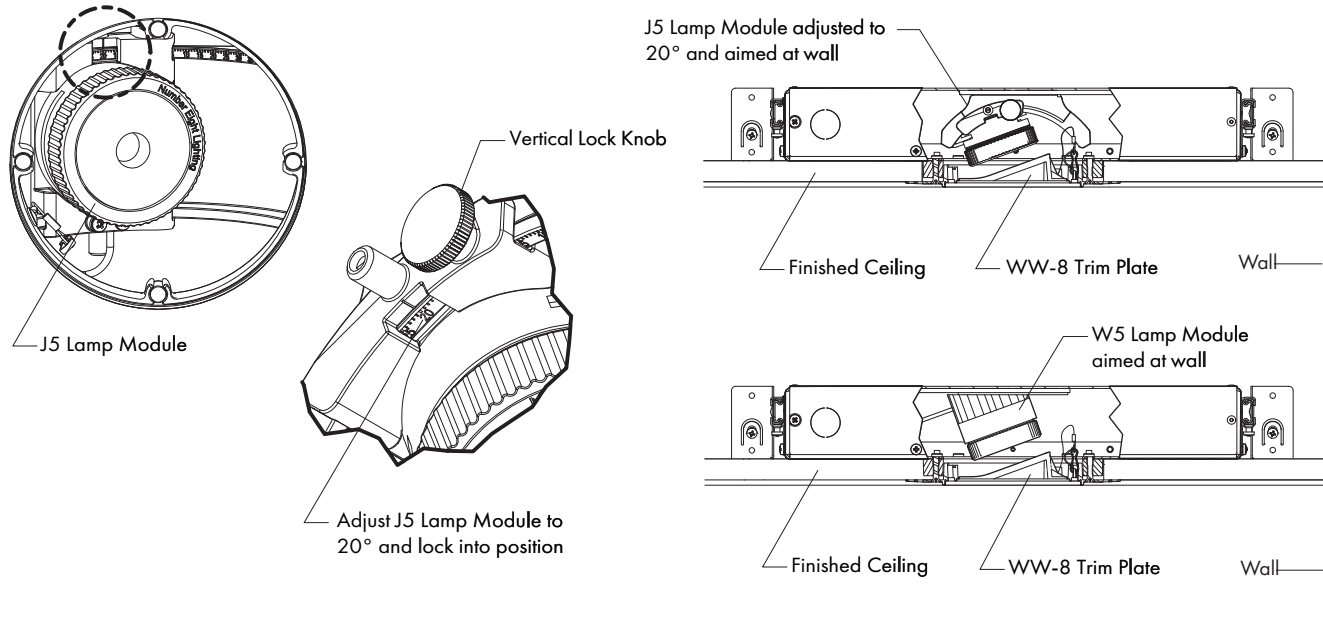


FIG 8.1 Orient Lamp Module with Wall

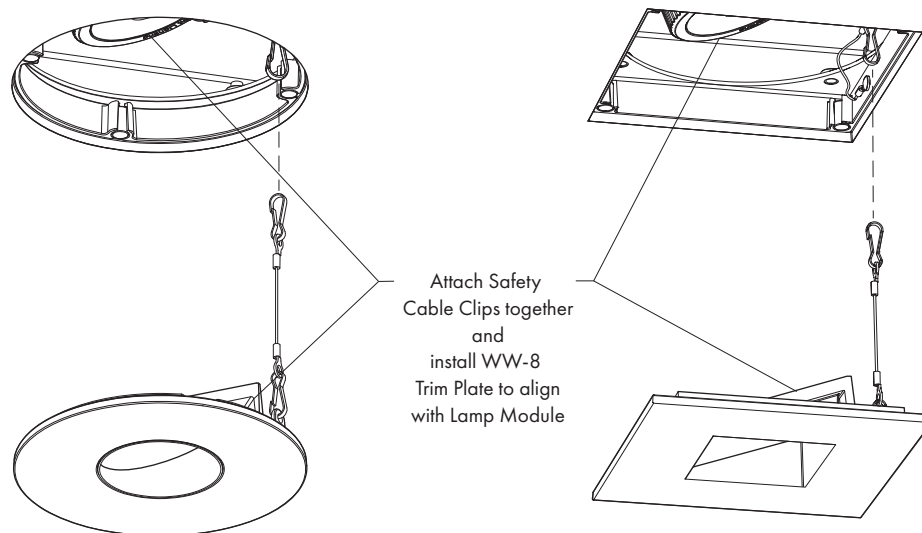


FIG 8.2 Align and Install WW-8 Trim Plate

J5 Power Supply Access and Replacement

- STEP 1 Adjust Lamp Module to 0° position and remove Lens Ring and Optic Assembly as shown in **FIG 9.1**.
 STEP 2 Locate and loosen (DO NOT REMOVE) 2x Hex Lock Nuts as shown in **FIG 9.1**.
 STEP 3 Move Sliding Bracket along slots to expose Power Supply Module in the aperture (Position 2) – **FIG 9.2**.
 STEP 4 Loosen Driver Bracket Screw, remove Power Supply Module through aperture, and disconnect all wire connections – **FIG 9.2**.
 STEP 5 Replace Power Supply Module by following steps above in reverse order. Refer to Wiring Instructions on pages 12-13.
 STEP 6 Move Sliding Bracket fully back to properly center Lamp Module (Position 1) and secure Hex Lock Nuts.
 STEP 7 Replace Lens Ring and Optic Assembly - See **FIG 9.1**.

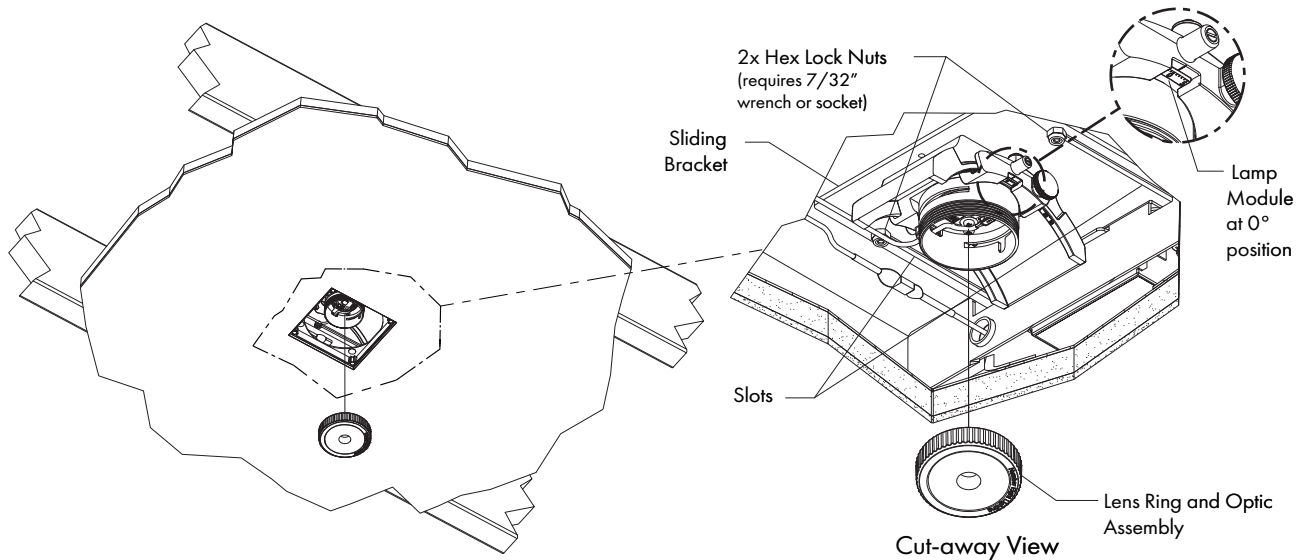


FIG 9.1 Sliding Bracket Adjustment

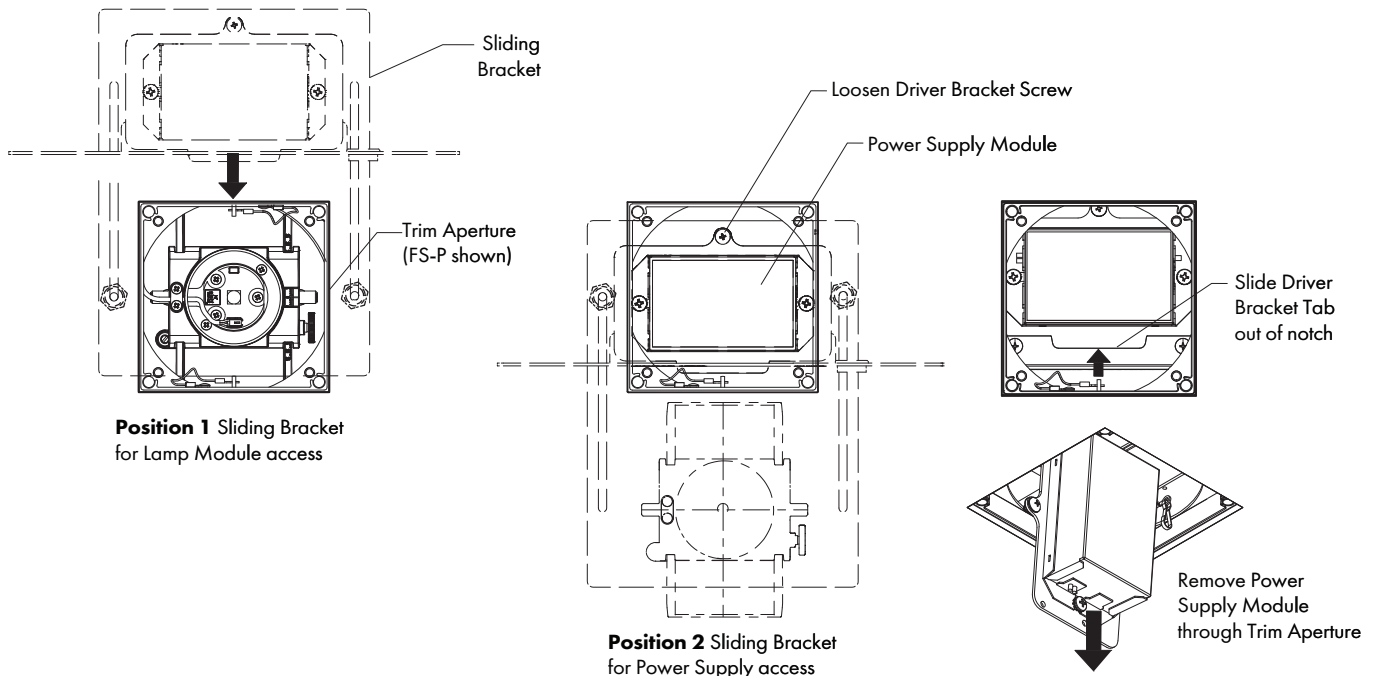


FIG 9.2 Sliding Bracket Positioning and Remove/Replace Power Supply Module



POWER SUPPLY INSTRUCTIONS RECESSED MODEL SERIES 805

K5 and W5 Power Supply Access and Replacement

- STEP 1 Remove Lamp Module as shown on **Page 6, FIG 6.1 and FIG 6.2.**
- STEP 2 Locate and loosen (DO NOT REMOVE) 2x Hex Lock Nuts as shown in **FIG 10.1.**
- STEP 3 Move Sliding Bracket along slots to expose Power Supply Module in the aperture (Position 2) - **FIG 10.2.**
- STEP 4 Loosen Driver Bracket Screw, remove Power Supply Module through aperture, and disconnect wire connections - **FIG 10.2.**
- STEP 5 Replace Power Supply Module by following steps above in reverse order. Refer to Wiring Instructions on Pages 12-13.
- STEP 6 Move Sliding Bracket fully back to properly center Lamp Module (Position 1) and secure Lock Nuts.
- STEP 7 Replace Lamp Module - See **Page 6, FIG 6.1 and FIG 6.2.**

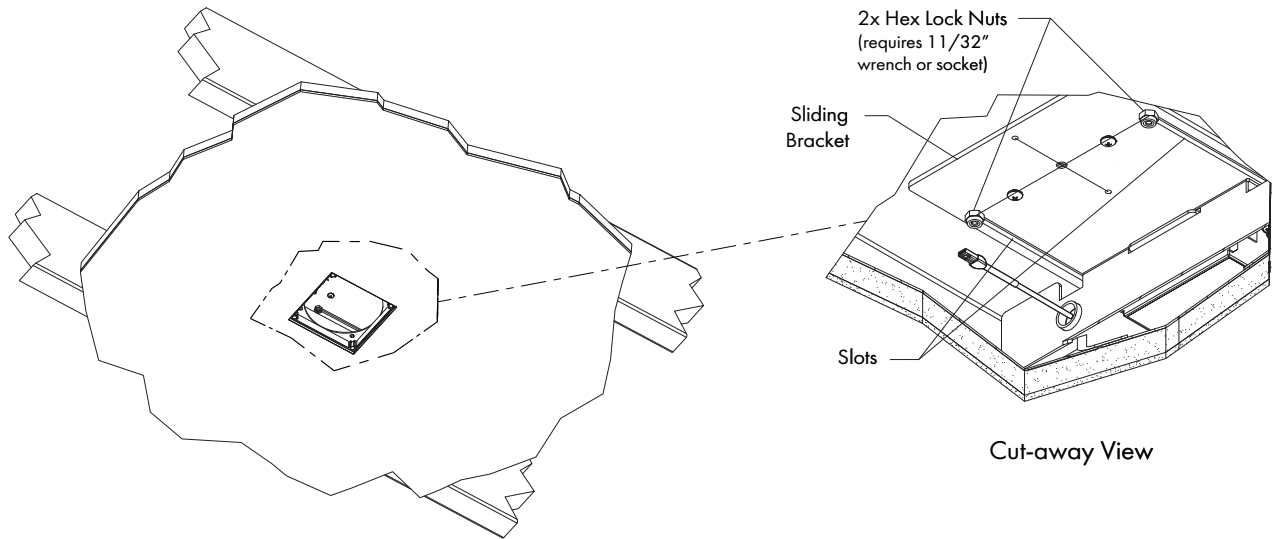


FIG 10.1 Sliding Bracket Adjustment

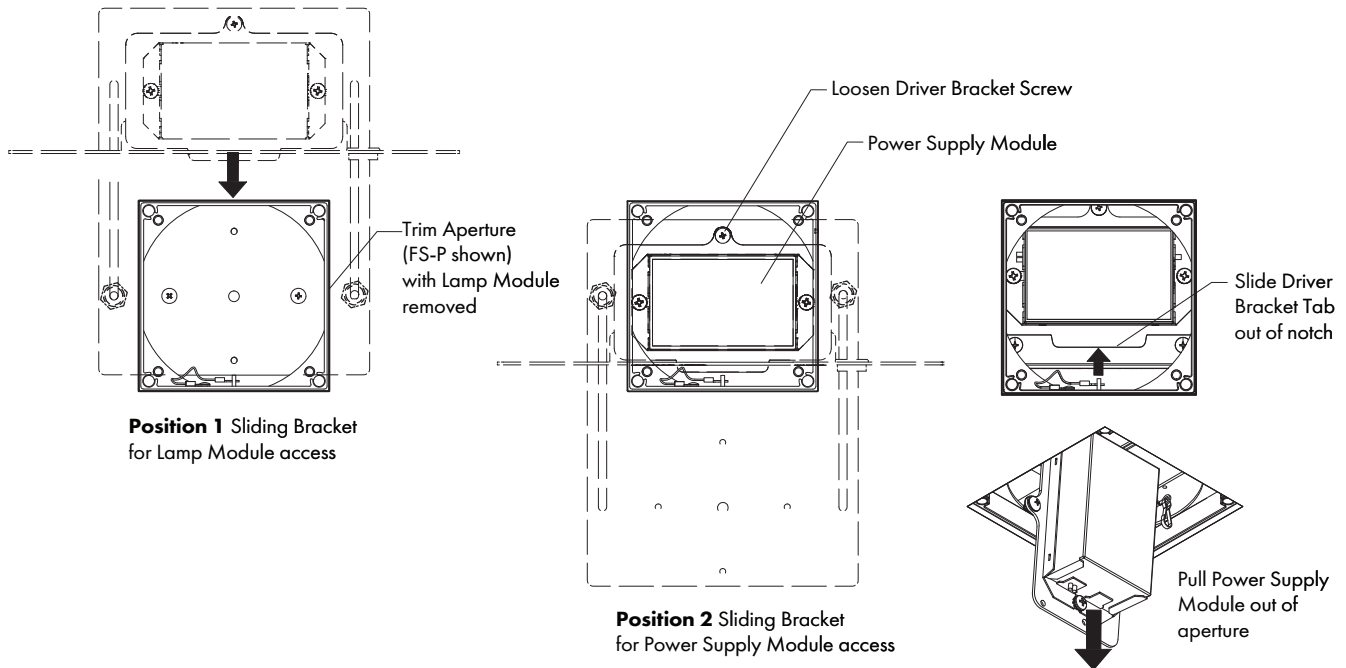


FIG 10.2 Sliding Bracket Positioning and Remove/Replace Power Supply Module

WIRING INSTRUCTIONS MODEL SERIES 805

For PR1 / EL1 / EL1-01 / EL2 / EL2-01 / LU4 Dimming Options

CAUTION: TO AVOID RISK OF FIRE OR ELECTRIC SHOCK

Turn off power at circuit breaker or fuse panel and read instructions completely before proceeding.

Failure to follow instructions may void warranty. Save these instructions.

- Installation must be by a qualified electrician only and must conform to National Electric code and local regulations.
 - Verify correct dimming system, lamp module, power supply type, and input supply requirements.
 - Always allow LED assembly to cool before servicing.
 - Do not install where insulation or ambient temperatures will exceed maximum values noted in product specifications.
- See www.8lighting.com for current product specifications.

Wiring Instructions

STEP 1 Loosen screw, open Wire Access Cover, and locate supply wiring – **FIG 11.1 and 11.2.**

STEP 2 Remove available knock-out in housing and attach supply wire using suitable wire connector - **FIG 11.1 and 11.2.**

Note: Supply wires must extend below housing bottom by 6" min.

STEP 3 Refer to Wiring Diagrams on Pages 12-13 and wire accordingly.

STEP 4 Install all wiring and connections completely inside wiring compartment - **FIG 11.1 and 11.2.**

Note: Ensure supply wiring does not interfere with full movement of Sliding Bracket.

STEP 5 Replace and secure Wire Access Cover - **FIG 11.1.**

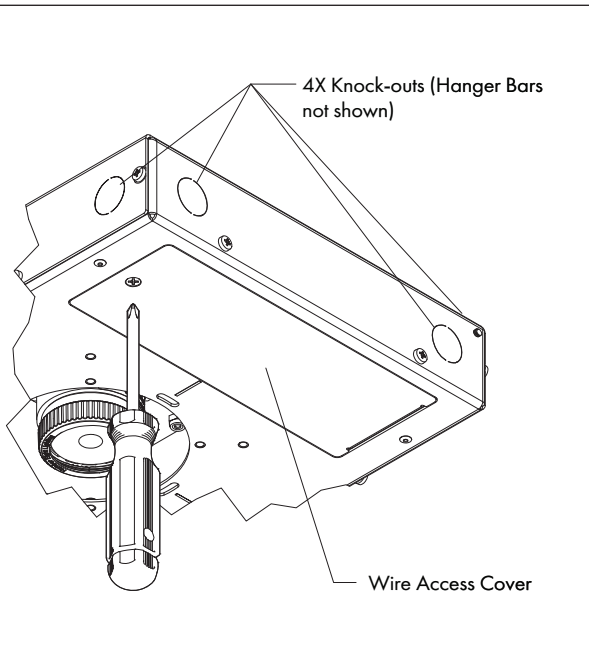


FIG 11.1 Wire Access

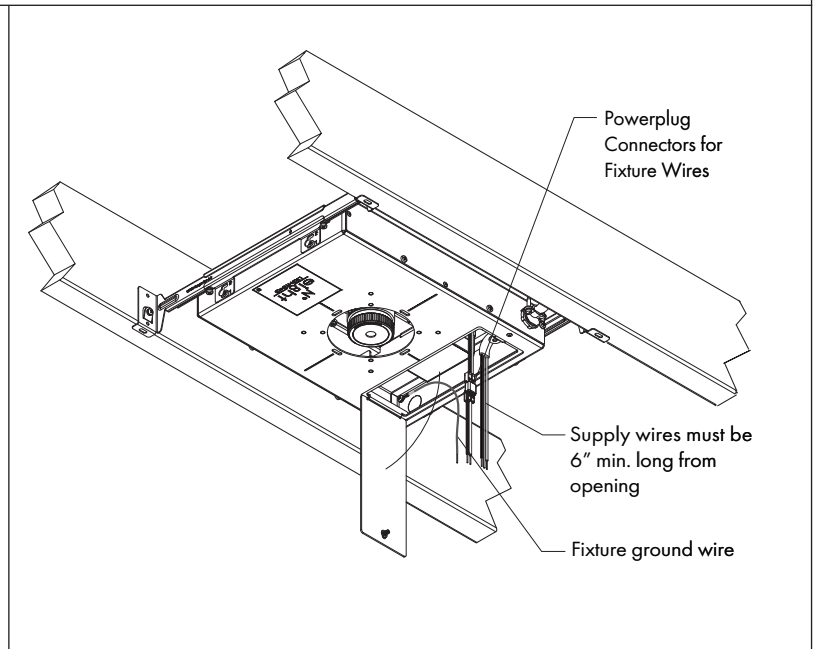
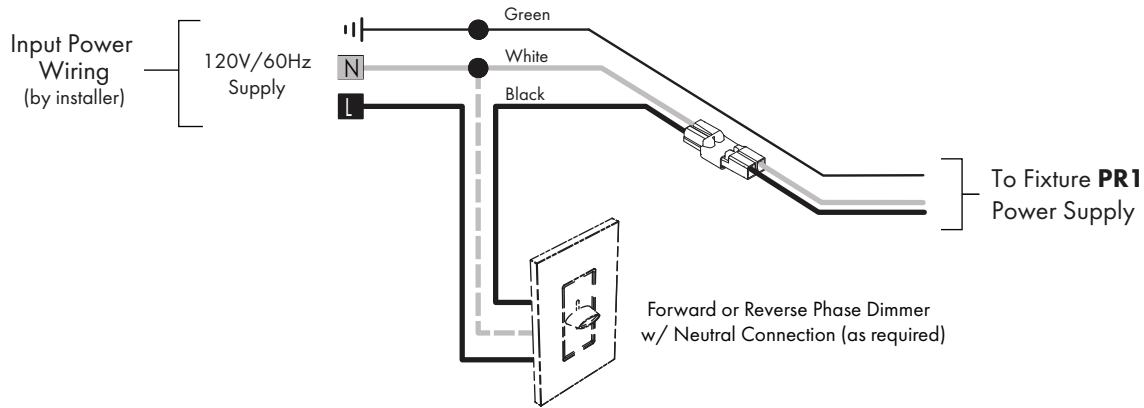


FIG 11.2 Fixture and Supply Wires

WIRING INSTRUCTIONS (Continued)
MODEL SERIES 805

PR1 - PHASE CONTROL



Phase Control Notes:

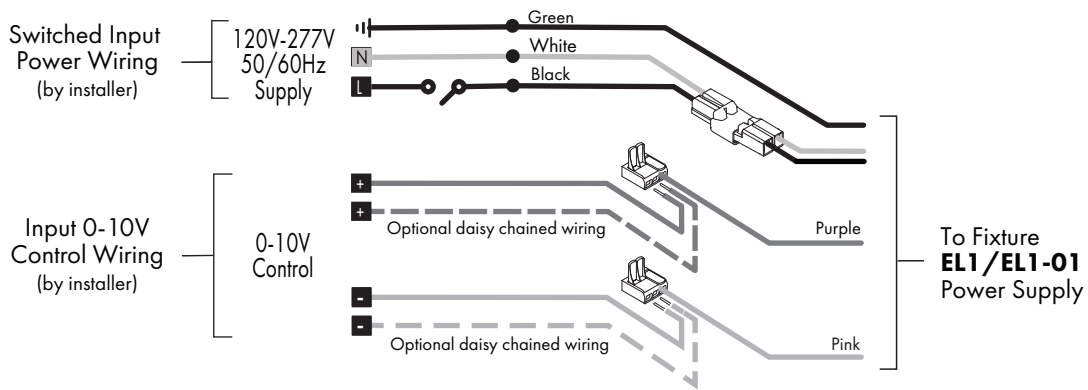
PR1 drivers are Forward or Reverse Phase dimmable.

For compatible dimmers for use with **PR1** drivers see: www.8lighting.com/resources-downloads

NOTE: For compatible dimmers for use with **PR1** drivers see www.8lighting.com/resources-downloads/

FIG 12.1 Wiring Diagram

EL1/EL1-01 - 0-10V CONTROL



0-10V Control Notes:

0-10V control wiring is polarity sensitive and should be run as Class 2.

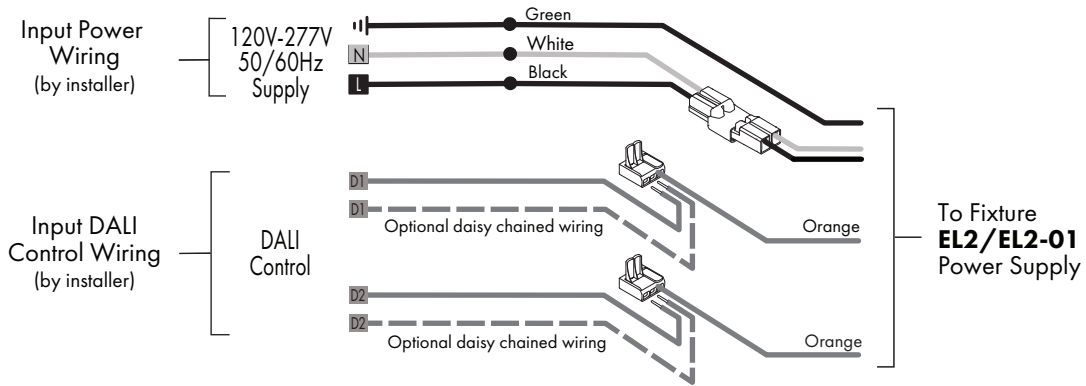
300' is the maximum control wiring run length to reduce EMI susceptibility and voltage drop. Voltage drop should be no greater than 0.3V.

For compatible dimmers for use with **EL1/EL1-01** drivers see: www.8lighting.com/resources-downloads .

FIG 12.2 Wiring Diagram

WIRING INSTRUCTIONS (Continued)
MODEL SERIES 805

EL2 / EL2-01 - DALI CONTROL



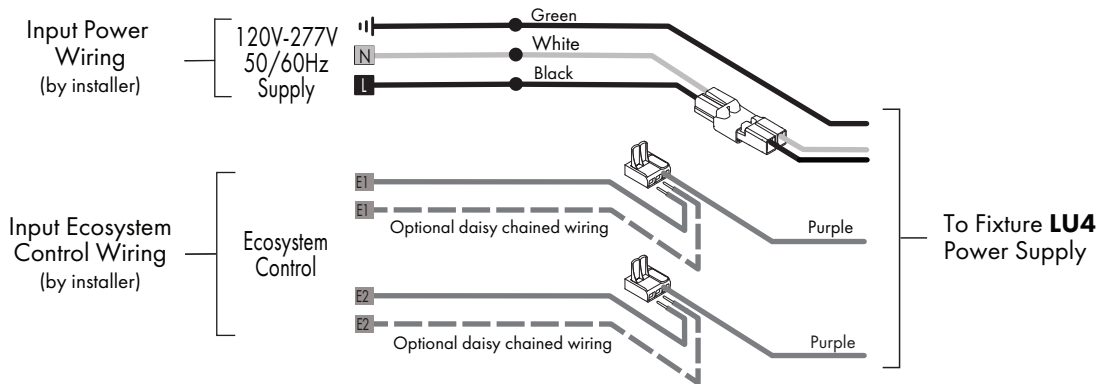
DALI Control Notes:

DALI control wiring is not polarity sensitive and can be run as Class 1 or 2. Up to 64 **EL2/EL2-01** power supplies can be daisy chained per DALI control loop. Maximum control wiring run length is 1000'.

For compatible dimmers for use with **EL2/EL2-01** drivers see: www.8lighting.com/resources-downloads.

FIG 13.1 Wiring Diagram

LU4 - LUTRON ECOSYSTEM CONTROL



Lutron Ecosystem Control Notes:

Up to 64 **LU4** power supplies can be daisy chained per Ecosystem control loop.

Maximum control wiring run length is 1000'.

For additional information, contact LED Center of Excellence at 1.877.346.5338 or LEDs@lutron.com

FIG 13.2 Wiring Diagram