

NEW PRODUCT

HOUSING: **804D-R** – LOW PROFILE DEEP CEILING / ROUND
 LAMP MODULES: **J2S/K2S/M2S** | LED
 TRIM: **FR-P/FR-LG-P** -SEAMLESS SERIES / ROUND



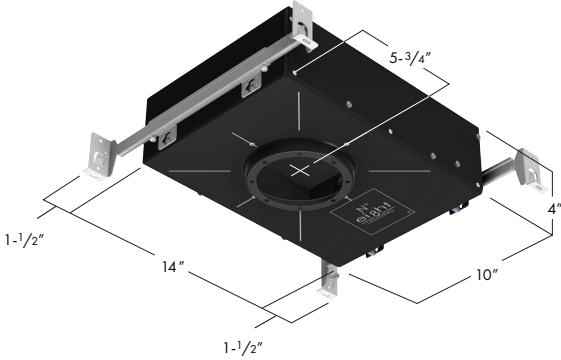
526 Portal Street
 Cotati, CA 94931
 USA
 P 707.794.0888
 www.8lighting.com

All No. 8 Lighting fixtures and components are UL Listed to both U.S. and Canadian requirements. Select 804S Series fixtures and components are also CE Certified. No. 8 Lighting trims and lamp modules are protected by one or more U.S. Patents. No. 8 Lighting reserves the right to change details of design, materials, and finish.
 © 2024 No. 8 Lighting
 Doc # 91177-13.1




Project Name	
Date	Type
Prepared By	
Comments	
Catalog # 804D-R / - - - / - /	
- - -	


PRODUCT FEATURES




804D-R - LOW PROFILE DEEP CEILING HOUSING - ROUND
 (Shown with BH mounting accessory)



J2S - LED ADJUSTABLE

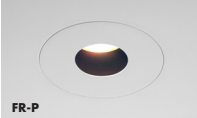


K2S - LED FIXED POSITION




M2S-R - LED MIRROR REFLECTOR - ROUND


J2S/K2S/M2S - LAMP MODULES




FR-P



FR-P w/ WW-8



FR-LG-P



FR-P w/ M2S-R

FR-P/FR-LG-P SEAMLESS SERIES TRIMS

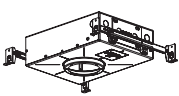



804D-R - SPECIFICATION SUMMARY

	Static White Standard Output				Static White High Output		Warm Dimming		Tunable White
	HI-2-27	HI-2	HI-27	HI	HI-27	HI	WD	WD-2	TW
LED Option	HI-2-27	HI-2	HI-27	HI	HI-27	HI	WD	WD-2	TW
Delivered Lumens	976-1039	1049-1117	846-1052	1041-1131	1256-1380	1350-1484	862-957	849-932	1034
System Wattage	14.5	14.5	14	14	20	20	14.5	14.5	14
Efficacy	67-72	72-77	70-75	75-81	63-69	68-74	59-66	59-64	74
CRI	94	94	94	94	94	93	97	97	95
R9	62	63	59	60	57	58	81	77	79
CCT	2700K	3000K	2700K	3000K	2700K	3000K	3000-1800K	2800-2200K	4700-2200K
Optic Options	10		15, 25, 40				15, 25, 40		15T, 25, 40
Color Consistency	2-Step					3-Step			
Optical Accessories	Narrow, Medium, Wide, Extra Wide, Linear Spread, and 2400K, 2700K, 3500K Color Filters								
Adjustability	J2S: 0-45° Tilt, 360° Rotation, Lockable / K2S: Fixed / M2S: 35-90° Tilt, 90° Rotation, Lockable								
Dimming Options	<1% Forward/Reverse Phase (120v), 0.1/1% 0-10v (120-277v), 0.1/1% DALI (120-277v), 0.1% DMX (120-277v), 0.1/1% EcoSystem (120 or 277v)								
Trim Options	Round Flat, Round Wall-Wash								
Finish Options	White, Oil-Rubbed Bronze, Polished Nickel, Satin Nickel, Black								
Trim Mounting Options	Flangeless Sheetrock								
Trim Lens Options	UL Wet Listed and IP54 Rated - Clear, Soft Focus, Wall-Wash								
Housing Options	New Construction: Type Non-IC Air-Tight, Type IC-CP Rated CCEA Approved Air-Tight								

Performance data shown for J2S and K2S Lamp Modules with FR-P-1-LG/NL trim.
 Warm Dimming data shown for 3000K and 2800K.
 Tunable White data shown for 3000K.
 See Performance Summaries for additional information.

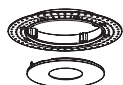
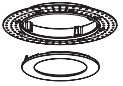

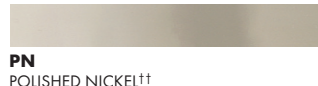
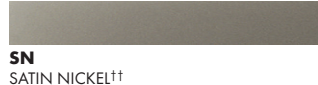


PRODUCT SPECIFIER/PRODUCT ORDER NUMBER

804D-R / _____ - _____ - _____ - _____ / _____ - _____ / _____

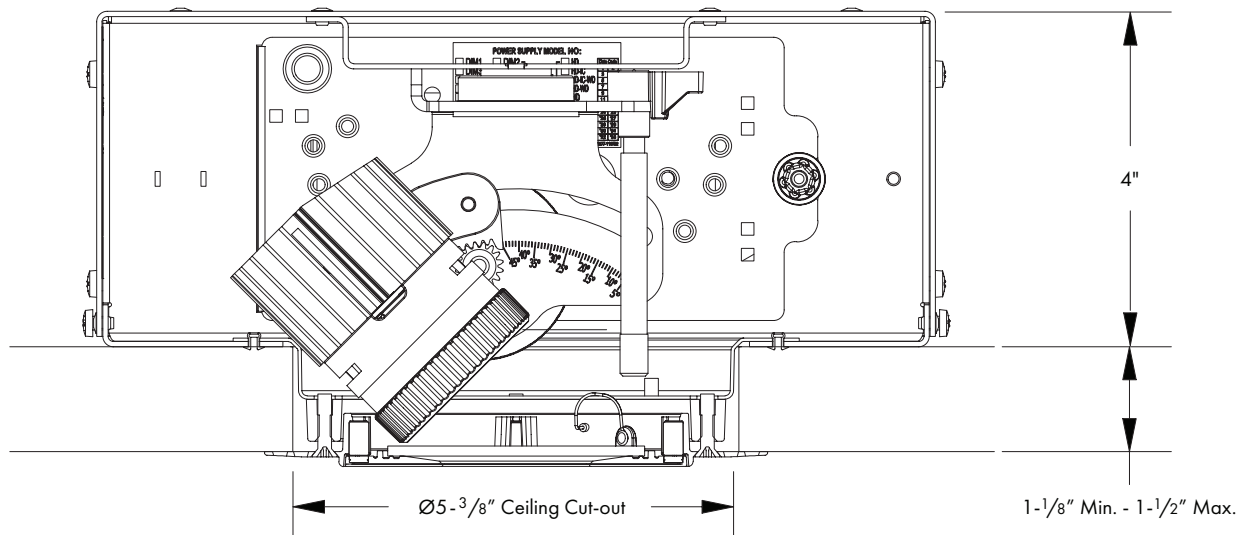
HOUSING	LAMP MODULE	LED OPTIONS	OPTIC OPTIONS	OPTICAL ACCESSORIES (Optional)	DIMMING OPTIONS	OUTPUT	MOUNTING ACCESSORIES
 <p>804D-R New Construction – Low Profile AIRTIGHT-IC and Non-IC Rated for Deep Ceiling Applications with ROUND Trims 10"W* x 14"L* x 4"H *Add 3" to length or width to accommodate mounting accessories.</p>	 <p>J2S LED ADJUSTABLE 45° tilt, full 360° rotation with tool-less locking</p>  <p>K2S LED FIXED POSITION</p>  <p>M2S-R* LED MIRROR REFLECTOR 4" ROUND module w/ integral trim plate *For use with FR trim only.</p>	<p>HI-27 2700K White LED</p> <p>HI 3000K White LED</p> <p>HI-2-27* 2700K White LED</p> <p>HI-2* 3000K White LED</p> <p>WD† 3000-1800K Warm Dim LED</p> <p>WD-2† 2800-2200K Warm Dim LED</p> <p>TW†† 4700-2200K Tunable White LED</p> <p>*For use with 10° optic only. Available in standard output only.</p> <p>†Available in standard output only.</p> <p>††Available in standard output only. Available with J2S LED lamp module only.</p>	<p>10* 10° Very Narrow Spot</p> <p>15† 15° Narrow Spot</p> <p>15T** 15° Narrow Spot - Tunable White</p> <p>25†† 25° Narrow Flood</p> <p>40†† 40° Flood</p> <p>*For use with HI-2 LED option only</p> <p>†For use with HI, WD, or WD-2 LED options only</p> <p>**For use with TW LED option only.</p> <p>††For use with HI, WD, WD-2, or TW LED options only.</p>	<p>NSP Narrow Softening Lens</p> <p>NFL Medium Softening Lens</p> <p>FL Wide Softening Lens</p> <p>WFL Extra Wide Softening Lens</p> <p>LS Linear Spread Lens</p> <p>CF24* 2400K Color Filtering Lens</p> <p>CF27* 2700K Color Filtering Lens</p> <p>CF35* 3500K Color Filtering Lens</p> <p>*For use with HI and HI-2 3000K LED options only.</p>	<p>PR1-8 Premium Forward or Reverse-Phase <1% Dimming</p> <p>EL1-8 EldoLED 0-10v 1% Dimming</p> <p>EL1-01-8 EldoLED 0-10v 0.1% Dimming</p> <p>EL2-8 EldoLED DALI 1% Dimming</p> <p>EL2-01-8 EldoLED DALI 0.1% Dimming</p> <p>EL3-8* EldoLED 2-channel DALI 0.1% Dimming</p> <p>EL4-8* EldoLED 4-channel DMX 0.1% Dimming</p> <p>EL5-8* EldoLED 2-channel 0-10v 0.1% Dimming</p> <p>LU2-8 Lutron Hi-Lume LDE1 Eco-System 1% Dimming</p> <p>LU4-8 Lutron Hi-Lume PEQOE EcoSystem 0.1% Dimming</p> <p>*Available with TW LED option only</p>	<p>1000 Standard output</p> <p>1000-WD Standard output – Warm Dimming</p> <p>1000-TW† Standard output – Tunable White</p> <p>1400* High output</p> <p>*Non-IC only. Not available w/ LU2-8 or LU4-8 dimming options.</p> <p>†For use with EL3-8, EL4-8, or EL5-8 dimming options only.</p>	<p>BH Bar Hangers for joist mounting</p> <p>BB Butterfly Brackets for c-channel or bar mounting</p> <p>TBC-BH T-Bar Mounting Clips + Bar Hangers for T-Bar mounting</p> <p>PMB Panel Mounting Brackets (set of two) for direct mounting to wood panels</p>

TRIM PRODUCT SPECIFIER/PRODUCT ORDER NUMBER

_____ - _____ - _____ - _____

TRIM	TRIM APPLICATION	TRIM FINISH	TRIM ACCESSORY (for J2S or K2S lamp modules only)
 <p>FR* ROUND flangeless trim 4" ROUND trim plate w/ 1-3/4" aperture installs flush with finished ceiling *No trim plate included when specified with M2S LED lamp module</p>  <p>FR-LG† ROUND flangeless trim 4" ROUND trim plate w/ 2-3/4" aperture installs flush with finished ceiling †Includes solite soft focus lens installed standard</p>	<p>P-1 Flush Plaster/Sheetrock ceiling applications with 5/32" thick drywall compound or plaster finish</p> <p>P-2 Flush Plaster/Sheetrock ceiling applications with 5/16" thick drywall compound or plaster finish</p>	 <p>WH WHITE</p>  <p>PN POLISHED NICKEL††</p>  <p>SN SATIN NICKEL††</p>  <p>OB OIL-RUBBED BRONZE*</p>  <p>BK BLACK††</p> <p>*Specialty finish. ††Specialty finish. Not available with M2S lamp module.</p>	<p>CL* CLEAR LENS installed in trim plate</p> <p>SF* SOFT FOCUS LENS installed in trim plate</p> <p>NL NO LENS installed in trim plate</p> <p>WW-8* WALL WASH accessory (for use with J2S LED lamp module only)</p> <p>*UL WET LISTED and IP54 Rated for use in DRY, DAMP, or WET locations (covered ceiling applications only). Approved for use in residential steam applications. Not for use in commercial steam applications.</p>

804D-R w/ FR-P/FR-LG-P FLANGELESS TRIM - CROSS SECTION



Housing and Installation Notes

804D-R Low Profile universal IC and Non-IC Rated housing for deep ceiling applications with ROUND trims. Designed for use with BASWA Acoustic 30mm thick ceiling systems. Available with two output options. Meets Washington State Airtight Standard WAC 51-11-0502 and in accordance with ASTM E283 to reduce energy loss. CCEA plenum rated for City of Chicago environmental air spaces. Standard output options are IC-Rated for direct contact with standard or spray-foam thermal insulation with a max combined R-Value of R42. High output options are Non-IC rated for use where insulation can be kept a minimum of 3" away from all sides. For standard output models, ambient temperatures in ceiling space should not exceed 40°C (104°F) during normal operation. For high output models and all models with **LU2-8** dimming option, ambient temperatures should not exceed 25°C (77°F). Accepts **J2S**, **K2S** and **M2S** LED Lamp Modules and ROUND Seamless Series flangeless trims for plaster/sheetrock ceiling applications.

Lamp Module, LED, Optic Option, and Accessory Notes

J2S Fully adjustable lamp module features patented tool-free adjustment mechanism. Use for adjustable accent, wall wash*, and general lighting applications. *For wall washing: specify 40° optic option with **HI**, **WD**, **WD-2**, or **TW** LED or 10° optic option and **FL** lens with **HI-2** LED. Requires **WW-8** wall wash accessory. **K2S** Fixed position lamp module for general lighting applications. **M2S** Adjustable lamp module features 35-90° vertical* and 90° horizontal adjustment. *Vertical adjustment range based on ceiling thickness and trim type used. See Page 12 for additional details. To ensure fixture to fixture color consistency, use of the same LED option with adjacent fixtures is recommended. One field interchangeable optic option included standard. Up to two additional optical accessories can be accommodated.

Dimming and Output Option Notes

0-10v dimming options are configured for linear control. DALI dimming options are configured for logarithmic control. No.8 Lighting conducts extensive testing to establish compatibility with many dimmer types. For a complete list of compatible dimmers, see 8lighting.com/resources-downloads. Outputs vary depending on LED type, trim type, and optical accessories used. For photometric files in PDF and IES formats, see 8lighting.com/800-series-photometry.

Warranty

All No. 8 Lighting products are covered by a 5 year limited warranty. Products installed in residential steam applications are covered by a 2 year limited warranty. For specific warranty details and limitations, see 8lighting.com/resources-downloads.

JA8-2022 CA Title 24 Compliant

804D-R/J2S w/ FR-P 1.75" APERTURE TRIM - PERFORMANCE SUMMARY

LED	OUTPUT	CCT	CRI	R9	Delivered Lumens	System Wattage	Delivered LPW
HI-27	1000	2700K	94	59	714-875	14	51-63
HI	1000	3000K	94	60	768-941	14	55-67
HI-27	1400	2700K	94	57	933-1156	20	47-58
HI	1400	3000K	93	58	1003-1243	20	50-62
HI-2-27	1000	2700K	94	62	946	14.5	65
HI-2	1000	3000K	94	63	1017	14.5	70
WD	1000-WD	3000-1800K	97	81	600-739	14.5	41-51
WD-2	1000-WD	2800-2200K	97	77	595-739	14.5	41-51
TW	1000-TW	4700-2200K	95	79	645-918	14	46-66

Performance summary for HI LED with 15°, 25°, and 40° optic options and HI-2 LED with 10° optic option.

Performance summary for WD LED at 3000K and WD-2 LED at 2800K with 15°, 25°, and 40° optic options.

Performance summary for TW LED at 3000K with 15°, 25°, and 40° optic options.

804D-R/J2S w/ 1.75" APERTURE TRIM - OPTICAL OPTIONS AND ACCESSORY PERFORMANCE SUMMARY

OPTIC OPTIONS	LED OPTIONS	BEAM ENHANCING LENS (OPTIONAL)*				
		+ NSP	+ NFL	+ FL	+ WFL	+ LS
10° Very Narrow Spot	HI-2	14°	25°	44°	47°	13° x 39°
15° Narrow Spot	HI	21°	30°	45°	51°	21° x 40°
15° Narrow Spot	WD/WD-2	24°	31°	36°	50°	25° x 41°
15° Narrow Spot	TW	21°	27°	37°	38°	25° x 30°
25° Narrow Flood	HI	28°	34°	47°	52°	30° x 39°
25° Narrow Flood	WD/WD-2	29°	34°	46°	52°	32° x 38°
25° Narrow Flood	TW	28°	37°	46°	50°	29° x 43°
40° Flood	HI	41°	43°	43°	59°	40° x 52°
40° Flood	WD/WD-2	37°	40°	49°	54°	37° x 47°
40° Flood	TW	37°	40°	49°	54°	36° x 48°

*Beam enhancing lens used in combination with 10°, 15°, 25°, or 40° optic to achieve desired beam spread.

804D-R/J2S w/ FR-P 1.75" APERTURE TRIM - CONE OF LIGHT DIAGRAMS

STANDARD OUTPUT	<p>10° - Very Narrow Spot</p> <p>804D-R/J2S-HI-2-10/1000</p> <p>2ft - 3,906 fc Ø0.4 ft 4ft - 976 fc Ø0.8 ft 6ft - 434 fc Ø1.2 ft 8ft - 244 fc Ø1.6 ft 10ft - 156 fc Ø1.9 ft</p> <p>CBCP: 15,656 cd</p>	<p>15° - Narrow Spot</p> <p>804D-R/J2S-HI-15/1000</p> <p>2ft - 1,459 fc Ø0.6 ft 4ft - 365 fc Ø1.3 ft 6ft - 162 fc Ø1.9 ft 8ft - 91 fc Ø2.6 ft 10ft - 58 fc Ø3.2 ft</p> <p>CBCP: 5,861 cd</p>	<p>25° - Narrow Flood</p> <p>804D-R/J2S-HI-25/1000</p> <p>2ft - 739 fc Ø1.0 ft 4ft - 185 fc Ø1.9 ft 6ft - 82 fc Ø2.8 ft 8ft - 46 fc Ø3.8 ft 10ft - 30 fc Ø4.7 ft</p> <p>CBCP: 2,968 cd</p>	<p>40° - Flood</p> <p>804D-R/J2S-HI-40/1000</p> <p>2ft - 429 fc Ø1.5 ft 4ft - 107 fc Ø3.0 ft 6ft - 48 fc Ø4.4 ft 8ft - 27 fc Ø5.9 ft 10ft - 17 fc Ø7.4 ft</p> <p>CBCP: 1,716 cd</p>		
	HIGH OUTPUT	<p>15° - Narrow Spot</p> <p>804D-R/J2S-HI-15/1400</p> <p>2ft - 1,920 fc Ø0.6 ft 4ft - 480 fc Ø1.3 ft 6ft - 213 fc Ø1.9 ft 8ft - 120 fc Ø2.6 ft 10ft - 77 fc Ø3.2 ft</p> <p>CBCP: 7,456 cd</p>	<p>25° - Narrow Flood</p> <p>804D-R/J2S-HI-25/1400</p> <p>2ft - 973 fc Ø0.9 ft 4ft - 243 fc Ø1.9 ft 6ft - 108 fc Ø2.8 ft 8ft - 61 fc Ø3.7 ft 10ft - 39 fc Ø4.7 ft</p> <p>CBCP: 2,952 cd</p>	<p>40° - Flood</p> <p>804D-R/J2S-HI-40/1400</p> <p>2ft - 561 fc Ø1.5 ft 4ft - 140 fc Ø3.0 ft 6ft - 62 fc Ø4.4 ft 8ft - 35 fc Ø5.9 ft 10ft - 22 fc Ø7.4 ft</p> <p>CBCP: 2,244 cd</p>		
		STANDARD OUTPUT - WARM DIM	<p>15° - Narrow Spot</p> <p>804D-R/J2S-WD-15/1000-WD</p> <p>2ft - 905 fc Ø0.8 ft 4ft - 226 fc Ø1.6 ft 6ft - 101 fc Ø2.4 ft 8ft - 57 fc Ø3.2 ft 10ft - 36 fc Ø4.0 ft</p> <p>CBCP: 3,626 cd</p>	<p>25° - Narrow Flood</p> <p>804D-R/J2S-WD-25/1000-WD</p> <p>2ft - 560 fc Ø1.0 ft 4ft - 140 fc Ø2.0 ft 6ft - 62 fc Ø3.0 ft 8ft - 35 fc Ø3.9 ft 10ft - 22 fc Ø4.9 ft</p> <p>CBCP: 2,248 cd</p>	<p>40° - Flood</p> <p>804D-R/J2S-WD-40/1000-WD</p> <p>2ft - 412 fc Ø1.3 ft 4ft - 103 fc Ø2.6 ft 6ft - 46 fc Ø3.9 ft 8ft - 26 fc Ø5.2 ft 10ft - 16 fc Ø6.5 ft</p> <p>CBCP: 1,651 cd</p>	
			STANDARD OUTPUT - TUNABLE WHITE	<p>15° - Narrow Spot</p> <p>804D-R/J2S-TW-15T/1000-TW</p> <p>2ft - 1,736 fc Ø0.8 ft 4ft - 434 fc Ø1.5 ft 6ft - 193 fc Ø2.3 ft 8ft - 108 fc Ø3.0 ft 10ft - 69 fc Ø3.8 ft</p> <p>CBCP: 6,943 cd</p>	<p>25° - Narrow Flood</p> <p>804D-R/J2S-TW-25/1000-TW</p> <p>2ft - 603 fc Ø1.0 ft 4ft - 151 fc Ø2.0 ft 6ft - 67 fc Ø2.9 ft 8ft - 38 fc Ø3.9 ft 10ft - 24 fc Ø4.9 ft</p> <p>CBCP: 2,412 cd</p>	<p>40° - Flood</p> <p>804D-R/J2S-TW-40/1000-TW</p> <p>2ft - 431 fc Ø1.3 ft 4ft - 108 fc Ø2.6 ft 6ft - 48 fc Ø4.0 ft 8ft - 27 fc Ø5.3 ft 10ft - 17 fc Ø6.6 ft</p> <p>CBCP: 1,724 cd</p>

Performance shown for 3000K. Output varies by CCT.

804D-R/J2S w/ FR-LG-P/NL 2.75" APERTURE TRIM - PERFORMANCE SUMMARY

LED	OUTPUT	CCT	CRI	R9	Delivered Lumens	System Wattage	Delivered LPW
HI-27	1000	2700K	94	59	846-976	14	60-70
HI	1000	3000K	94	60	910-1049	14	65-75
HI-27	1400	2700K	94	57	1097-1256	20	55-63
HI	1400	3000K	93	58	1180-1350	20	59-68
HI-2-27	1000	2700K	94	62	976	14.5	67
HI-2	1000	3000K	94	63	1049	14.5	72
WD	1000-WD	3000-1800K	97	81	745-862	14.5	51-59
WD-2	1000-WD	2800-2200K	97	77	741-849	14.5	51-59
TW	1000-TW	4700-2200K	95	79	794-1034	14	57-74

Performance summary for **HI** LED with 15°, 25°, and 40° optic options and **HI-2** LED with 10° optic option.

Performance summary for **WD** LED at 3000K and **WD-2** LED at 2800K with 15°, 25°, and 40° optic options.

Performance summary for **TW** LED at 3000K with 15°, 25°, and 40° optic options.

804D-R/J2S w/ 2.75" APERTURE TRIM - OPTICAL OPTIONS AND ACCESSORY PERFORMANCE SUMMARY

OPTIC OPTIONS	LED OPTIONS	BEAM ENHANCING LENS (OPTIONAL)*				
		+ NSP	+ NFL	+ FL	+ WFL	+ LS
10° Very Narrow Spot	HI-2	14°	24°	43°	47°	13° x 39°
15° Narrow Spot	HI	21°	31°	54°	67°	22° x 48°
15° Narrow Spot	WD/WD-2	24°	33°	54°	66°	26° x 48°
15° Narrow Spot	TW	23°	30°	48°	54°	27° x 34°
25° Narrow Flood	HI	29°	37°	57°	71°	30° x 55°
25° Narrow Flood	WD/WD-2	31°	38°	58°	70°	70° x 71°
25° Narrow Flood	TW	30°	37°	57°	69°	31° x 53°
40° Flood	HI	42°	45°	46°	80°	41° x 63°
40° Flood	WD/WD-2	39°	44°	64°	77°	76° x 77°
40° Flood	TW	38°	43°	63°	76°	37° x 61°

*Beam enhancing lens used in combination with 10°, 15°, 25°, or 40° optic to achieve desired beam spread.

804D-R/J2S w/ FR-LG-P/NL 2.75" APERTURE TRIM - CONE OF LIGHT DIAGRAMS

	10° - Very Narrow Spot	15° - Narrow Spot	25° - Narrow Flood	40° - Flood
STANDARD OUTPUT	804D-R/J2S-HI-2-10/1000 2ft - 3,941 fc Ø0.4 ft 4ft - 985 fc Ø0.8 ft 6ft - 438 fc Ø1.2 ft 8ft - 246 fc Ø1.5 ft 10ft - 158 fc Ø1.9 ft CBCP: 15,851 cd	804D-R/J2S-HI-15/1000 2ft - 1,457 fc Ø0.7 ft 4ft - 364 fc Ø1.3 ft 6ft - 162 fc Ø2.0 ft 8ft - 91 fc Ø2.7 ft 10ft - 58 fc Ø3.3 ft CBCP: 5,846 cd	804D-R/J2S-HI-25/1000 2ft - 747 fc Ø1.0 ft 4ft - 187 fc Ø2.0 ft 6ft - 83 fc Ø3.0 ft 8ft - 47 fc Ø4.0 ft 10ft - 30 fc Ø5.0 ft CBCP: 3,003 cd	804D-R/J2S-HI-40/1000 2ft - 427 fc Ø1.5 ft 4ft - 107 fc Ø3.1 ft 6ft - 47 fc Ø4.6 ft 8ft - 27 fc Ø6.1 ft 10ft - 17 fc Ø7.6 ft CBCP: 1,711 cd
		15° - Narrow Spot 804D-R/J2S-HI-15/1400 2ft - 1,893 fc Ø0.7 ft 4ft - 473 fc Ø1.3 ft 6ft - 210 fc Ø2.0 ft 8ft - 118 fc Ø2.6 ft 10ft - 76 fc Ø3.3 ft CBCP: 7,602 cd	25° - Narrow Flood 804D-R/J2S-HI-25/1400 2ft - 971 fc Ø1.0 ft 4ft - 243 fc Ø2.0 ft 6ft - 108 fc Ø3.0 ft 8ft - 61 fc Ø4.0 ft 10ft - 39 fc Ø5.0 ft CBCP: 3,905 cd	40° - Flood 804D-R/J2S-HI-40/1400 2ft - 559 fc Ø1.5 ft 4ft - 140 fc Ø3.1 ft 6ft - 62 fc Ø4.6 ft 8ft - 35 fc Ø6.1 ft 10ft - 22 fc Ø7.6 ft CBCP: 2,238 cd
		15° - Narrow Spot 804D-R/J2S-WD-15/1000-WD 2ft - 904 fc Ø0.8 ft 4ft - 2226 fc Ø1.7 ft 6ft - 100 fc Ø2.5 ft 8ft - 57 fc Ø3.3 ft 10ft - 36 fc Ø4.2 ft CBCP: 3,616 cd	25° - Narrow Flood 804D-R/J2S-WD-25/1000-WD 2ft - 561 fc Ø1.1 ft 4ft - 140 fc Ø2.1 ft 6ft - 62 fc Ø3.2 ft 8ft - 35 fc Ø4.2 ft 10ft - 22 fc Ø5.3 ft CBCP: 2,246 cd	40° - Flood 804D-R/J2S-WD-40/1000-WD 2ft - 409 fc Ø1.4 ft 4ft - 102 fc Ø2.8 ft 6ft - 45 fc Ø4.2 ft 8ft - 26 fc Ø5.6 ft 10ft - 16 fc Ø7.0 ft CBCP: 1,636 cd
		15° - Narrow Spot 804D-R/J2S-TW-15T/1000-TW 2ft - 1,722 fc Ø0.8 ft 4ft - 431 fc Ø1.6 ft 6ft - 191 fc Ø2.4 ft 8ft - 108 fc Ø3.2 ft 10ft - 69 fc Ø4.0 ft CBCP: 6,891 cd	25° - Narrow Flood 804D-R/J2S-TW-25/1000-TW 2ft - 604 fc Ø1.0 ft 4ft - 151 fc Ø2.1 ft 6ft - 67 fc Ø3.1 ft 8ft - 38 fc Ø4.2 ft 10ft - 24 fc Ø5.2 ft CBCP: 2,415 cd	40° - Flood 804D-R/J2S-TW-40/1000-TW 2ft - 430 fc Ø1.4 ft 4ft - 108 fc Ø2.8 ft 6ft - 48 fc Ø4.2 ft 8ft - 27 fc Ø5.5 ft 10ft - 17 fc Ø6.9 ft CBCP: 1,721 cd

Performance shown for 3000K. Output varies by CCT.

804D-R/J2S w/ FR-P TRIM + WW-8 WALL WASH ACCESSORY - PERFORMANCE SUMMARY

LED	OUTPUT	OPTIC OPTION	CCT	CRI	R9	Delivered Lumens	System Wattage	Delivered LPW
HI-27	1000	40	2700K	94	57	545	14	39
HI	1000	40	3000K	94	58	586	14	42
HI-27	1400	40	2700K	94	55	711	20	36
HI	1400	40	3000K	93	56	765	20	38
HI-2-27	1000	10-FL	2700K	94	61	420	14.5	29
HI-2	1000	10-FL	3000K	94	62	452	14.5	31
WD	1000-WD	40	3000-1800K	97	82	479	14.5	33
WD-2	1000-WD	40	2800-2200K	97	78	480	14.5	33
TW	1000-TW	40	4700-2200K	96	79	522	14	37

Performance summary for **WD** LED at 3000K, **WD-2** LED at 2800K, and **TW** LED at 3000K.

804D-R/J2S-HI-40/1000 w/ FR-P TRIM + WW-8 WALL WASH ACCESSORY – FOOTCANDLES ON WALL

DISTANCE TO WALL ON CENTER SPACING		2.0 ft						2.5 ft						
			2.0 ft			2.5 ft			2.5 ft			3.0 ft		
	DISTANCE FROM CEILING	0.5 ft	0.8	0.8	0.8	0.8	0.5	0.8	0.2	0.2	0.2	0.2	0.2	0.2
		1.5 ft	25.1	29.1	25.1	22.8	23.2	22.8	12.1	13.6	12.1	11.3	10.9	11.3
		2.5 ft	26.4	31.0	26.4	23.7	27.1	23.7	18.2	21.4	18.2	16.7	18.7	16.7
		3.5 ft	17.7	20.2	17.7	16.0	18.7	16.0	15.3	17.9	15.3	14.0	16.3	14.0
		4.5 ft	10.9	12.0	10.9	10.1	11.4	10.1	10.8	12.3	10.8	10.0	11.6	10.0
		5.5 ft	6.8	7.3	6.8	6.4	7.1	6.4	7.3	8.1	7.3	6.9	7.8	6.9
		6.5 ft	4.4	4.7	4.4	4.2	4.6	4.2	5.0	5.4	5.0	4.7	5.2	4.7
		7.5 ft	3.0	3.1	3.0	2.9	3.1	2.9	3.5	3.7	3.5	3.3	3.6	3.3
		8.5 ft	2.1	2.2	2.1	2.0	2.1	2.0	2.5	2.6	2.5	2.4	2.6	2.4
		9.5 ft	1.5	1.6	1.5	1.5	1.5	1.5	1.8	1.9	1.8	1.8	1.9	1.8

Note: With **HI** LED option, use 40° optic and 20° aiming angle for optimal performance. Data shown for 3000K CCT.

804D-R/J2S-HI-40/1400 w/ FR-P TRIM + WW-8 WALL WASH ACCESSORY – FOOTCANDLES ON WALL

DISTANCE TO WALL ON CENTER SPACING		2.0 ft						2.5 ft						
			2.0 ft			2.5 ft			2.5 ft			3.0 ft		
	DISTANCE FROM CEILING	0.5 ft	1.1	0.9	1.1	1.0	0.6	1.0	0.3	0.3	0.3	0.3	0.2	0.3
		1.5 ft	32.2	36.6	32.2	29.4	29.3	29.4	15.5	17.0	15.5	14.6	13.7	14.6
		2.5 ft	34.0	39.6	34.0	30.5	34.6	30.5	23.5	27.2	23.5	21.6	23.7	21.6
		3.5 ft	22.9	26.1	22.9	20.7	24.0	20.7	19.7	22.9	19.7	18.1	20.9	18.1
		4.5 ft	14.1	15.6	14.1	13.0	14.8	13.0	14.0	15.9	14.0	12.9	14.9	12.9
		5.5 ft	8.8	9.5	8.8	8.3	9.2	8.3	9.5	10.5	9.5	8.9	10.1	8.9
		6.5 ft	5.7	6.1	5.7	5.5	5.9	5.5	6.5	7.0	6.5	6.1	6.8	6.1
		7.5 ft	3.9	4.1	3.9	3.7	4.0	3.7	4.5	4.8	4.5	4.3	4.7	4.3
		8.5 ft	2.7	2.8	2.7	2.6	2.8	2.6	3.3	3.4	3.3	3.1	3.4	3.1
		9.5 ft	2.0	2.0	2.0	1.9	2.0	1.9	2.4	2.5	2.4	2.3	2.5	2.3

Note: With **HI** LED option, use 40° optic and 20° aiming angle for optimal performance. Data shown for 3000K CCT.

804D-R/J2S-HI-2-10-FL/1000 w/ FR-P TRIM + WW-8 WALL WASH ACCESSORY – FOOTCANDLES ON WALL

DISTANCE TO WALL		2.0 ft						2.5 ft						
ON CENTER SPACING			2.0 ft			2.5 ft		2.5 ft		2.5 ft		3.0 ft		
	DISTANCE FROM CEILING	0.5 ft	0.5	0.5	0.5	0.5	0.4	0.5	0.2	0.2	0.2	0.2	0.1	0.2
		1.5 ft	15.2	16.2	15.2	13.8	13.0	13.8	6.2	6.3	6.2	5.9	5.1	5.9
		2.5 ft	19.9	22.3	19.9	17.8	19.8	17.8	12.8	14.3	12.8	11.7	12.6	11.7
		3.5 ft	14.3	15.7	14.3	12.9	14.7	12.9	11.8	13.2	11.8	10.8	12.2	10.8
		4.5 ft	9.1	9.8	9.1	8.5	9.4	8.5	8.8	9.6	8.8	8.1	9.1	8.1
		5.5 ft	5.8	6.1	5.8	5.5	6.0	5.5	6.1	6.6	6.1	5.7	6.3	5.7
		6.5 ft	3.8	4.0	3.8	3.7	3.9	3.7	4.3	4.5	4.3	4.0	4.4	4.0
		7.5 ft	2.6	2.7	2.6	2.5	2.7	2.5	3.0	3.2	3.0	2.9	3.1	2.9
		8.5 ft	1.9	1.9	1.9	1.8	1.9	1.8	2.2	2.3	2.2	2.1	2.2	2.1
		9.5 ft	1.3	1.4	1.3	1.3	1.4	1.3	1.6	1.7	1.6	1.6	1.6	1.6

Note: With HI-2 LED option, use 10° optic + FL lens and 20° aiming angle for optimal performance. Data shown for 3000K CCT.

804D-R/J2S-WD-40/1000-WD w/ FR-P TRIM + WW-8 WALL WASH ACCESSORY – FOOTCANDLES ON WALL

DISTANCE TO WALL		2.0 ft						2.5 ft						
ON CENTER SPACING			2.0 ft			2.5 ft		2.5 ft		2.5 ft		3.0 ft		
	DISTANCE FROM CEILING	0.5 ft	1.1	1.0	1.1	1.0	0.7	1.0	0.4	0.3	0.4	0.3	0.2	0.3
		1.5 ft	19.3	21.6	19.3	17.5	17.5	17.5	9.1	10.0	9.1	8.5	8.1	8.5
		2.5 ft	22.1	25.3	22.1	19.7	22.3	19.7	14.8	16.8	14.8	13.5	14.6	13.5
		3.5 ft	15.3	17.1	15.3	13.7	16.0	13.7	13.0	14.8	13.0	11.8	13.5	11.8
		4.5 ft	9.5	10.3	9.5	8.7	9.9	8.7	9.3	10.4	9.3	8.6	9.9	8.6
		5.5 ft	6.0	6.4	6.0	5.6	6.2	5.6	6.4	7.0	6.4	6.0	6.7	6.0
		6.5 ft	3.9	4.1	3.9	3.7	4.0	3.7	4.4	4.7	4.4	4.2	4.6	4.2
		7.5 ft	2.6	2.7	2.6	2.5	2.7	2.5	3.1	3.2	3.1	2.9	3.2	2.9
		8.5 ft	1.9	1.9	1.9	1.8	1.9	1.8	2.2	2.3	2.2	2.1	2.3	2.1
		9.5 ft	1.3	1.4	1.3	1.3	1.4	1.3	1.6	1.7	1.6	1.6	1.7	1.6

Note: With WD or WD-2 LED option, use 40° optic and 20° aiming angle for optimal performance. Data shown for 3000K CCT.

804D-R/J2S-TW-40/1000-TW w/ FR-P TRIM + WW-8 WALL WASH ACCESSORY – FOOTCANDLES ON WALL

DISTANCE TO WALL		2.0 ft						2.5 ft						
ON CENTER SPACING			2.0 ft			2.5 ft		2.5 ft		2.5 ft		3.0 ft		
	DISTANCE FROM CEILING	0.5 ft	0.6	0.5	0.6	0.6	0.4	0.6	0.2	0.2	0.2	0.2	0.2	
		1.5 ft	20.4	22.3	20.4	18.4	17.9	18.4	9.3	9.9	9.3	8.6	8.0	8.6
		2.5 ft	24.2	27.4	24.2	21.8	23.9	21.8	16.0	17.9	16.0	14.7	15.5	14.7
		3.5 ft	16.9	18.7	16.9	15.4	17.4	15.4	14.3	16.1	14.3	13.2	14.7	13.2
		4.5 ft	10.6	11.4	10.6	9.8	10.9	9.8	10.3	11.4	10.3	9.6	10.8	9.6
		5.5 ft	6.6	7.0	6.6	6.3	6.8	6.3	7.1	7.7	7.1	6.7	7.4	6.7
		6.5 ft	4.3	4.5	4.3	4.2	4.4	4.2	4.9	5.2	4.9	4.7	5.0	4.7
		7.5 ft	2.9	3.0	2.9	2.8	3.0	2.8	3.4	3.6	3.4	3.3	3.5	3.3
		8.5 ft	2.1	2.1	2.1	2.0	2.1	2.0	2.5	2.6	2.5	2.4	2.5	2.4
		9.5 ft	1.5	1.5	1.5	1.5	1.5	1.5	1.8	1.9	1.8	1.8	1.8	1.8

Note: With TW LED option, use 40° optic and 20° aiming angle for optimal performance. Data shown for 3000K CCT.

804D-R/K2S w/ FR-P 1.75" APERTURE TRIM - PERFORMANCE SUMMARY

LED	OUTPUT	CCT	CRI	R9	Delivered Lumens	System Wattage	Delivered LPW
HI-27	1000	2700K	94	59	849-979	14	61-70
HI	1000	3000K	94	60	913-1053	14	65-75
HI-27	1400	2700K	94	57	1125-1305	20	56-65
HI	1400	3000K	93	58	1210-1403	20	61-70
HI-2-27	1000	2700K	94	62	1015	14.5	70
HI-2	1000	3000K	94	63	1091	14.5	75
WD	1000-WD	3000-1800K	97	81	757-892	14.5	52-62
WD-2	1000-WD	2800-2200K	97	77	743-877	14.5	51-60

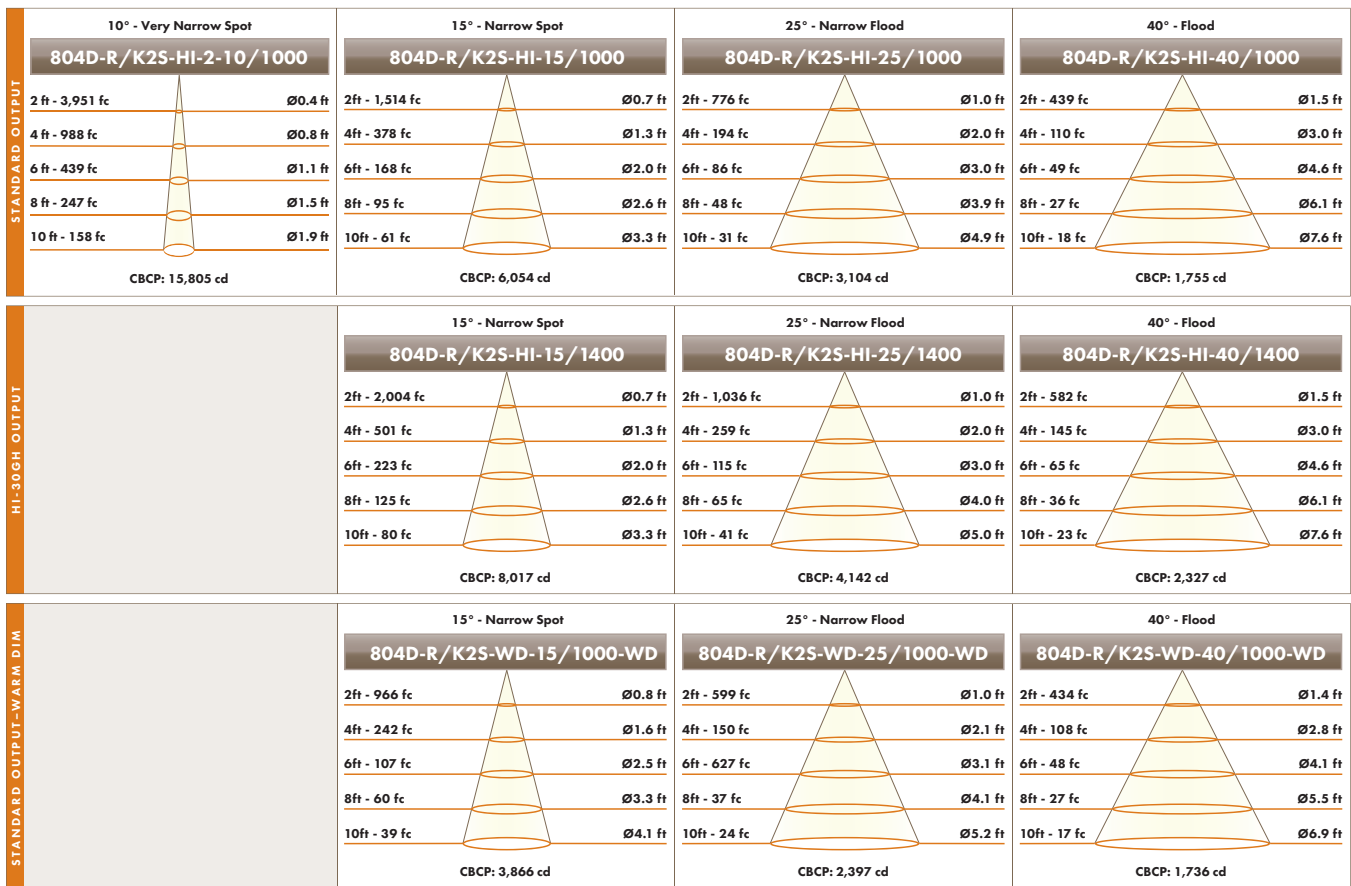
Performance summary for HI LED with 15°, 25°, and 40° optic options and HI-2 LED with 10° optic option.
Performance summary for WD LED at 3000K and WD-2 LED at 2800K with 15°, 25°, and 40° optic options.

804D-R/K2S w/ 1.75" APERTURE TRIM - OPTICAL OPTIONS AND ACCESSORY PERFORMANCE SUMMARY

OPTIC OPTIONS	LED OPTIONS	BEAM ENHANCING LENS (OPTIONAL)*				
		+ NSP	+ NFL	+ FL	+ WFL	+ LS
10° Very Narrow Spot	HI-2	14°	25°	42°	44°	13° x 37°
15° Narrow Spot	HI	21°	31°	49°	58°	22° x 39°
15° Narrow Spot	WD/WD-2	25°	33°	51°	61°	36° x 28°
25° Narrow Flood	HI	29°	36°	53°	64°	30° x 48°
25° Narrow Flood	WD/WD-2	30°	37°	54°	64°	32° x 45°
40° Flood	HI	42°	45°	63°	77°	46° x 52°
40° Flood	WD/WD-2	39°	43°	61°	72°	38° x 58°

*Beam enhancing lens used in combination with 10°, 15°, 25°, or 40° optic to achieve desired beam spread.

804D-R/K2S w/ FR-P 1.75" APERTURE TRIM - CONE OF LIGHT DIAGRAMS



Performance shown for 3000K. Output varies by CCT.

804D-R/K2S w/ FR-R-LG-P 2.75" APERTURE TRIM - PERFORMANCE SUMMARY

LED	OUTPUT	CCT	CRI	R9	Delivered Lumens	System Wattage	Delivered LPW
HI-27	1000	2700K	94	59	925-1052	14	66-75
HI	1000	3000K	94	60	995-1131	14	71-81
HI-27	1400	2700K	94	57	1226-1380	20	61-69
HI	1400	3000K	93	58	1318-1484	20	66-74
HI-2-27	1000	2700K	94	62	1039	14.5	72
HI-2	1000	3000K	94	63	1117	14.5	77
WD	1000-WD	3000-1800K	97	81	853-957	14.5	59-66
WD-2	1000-WD	2800-2200K	97	78	838-932	14.5	58-64

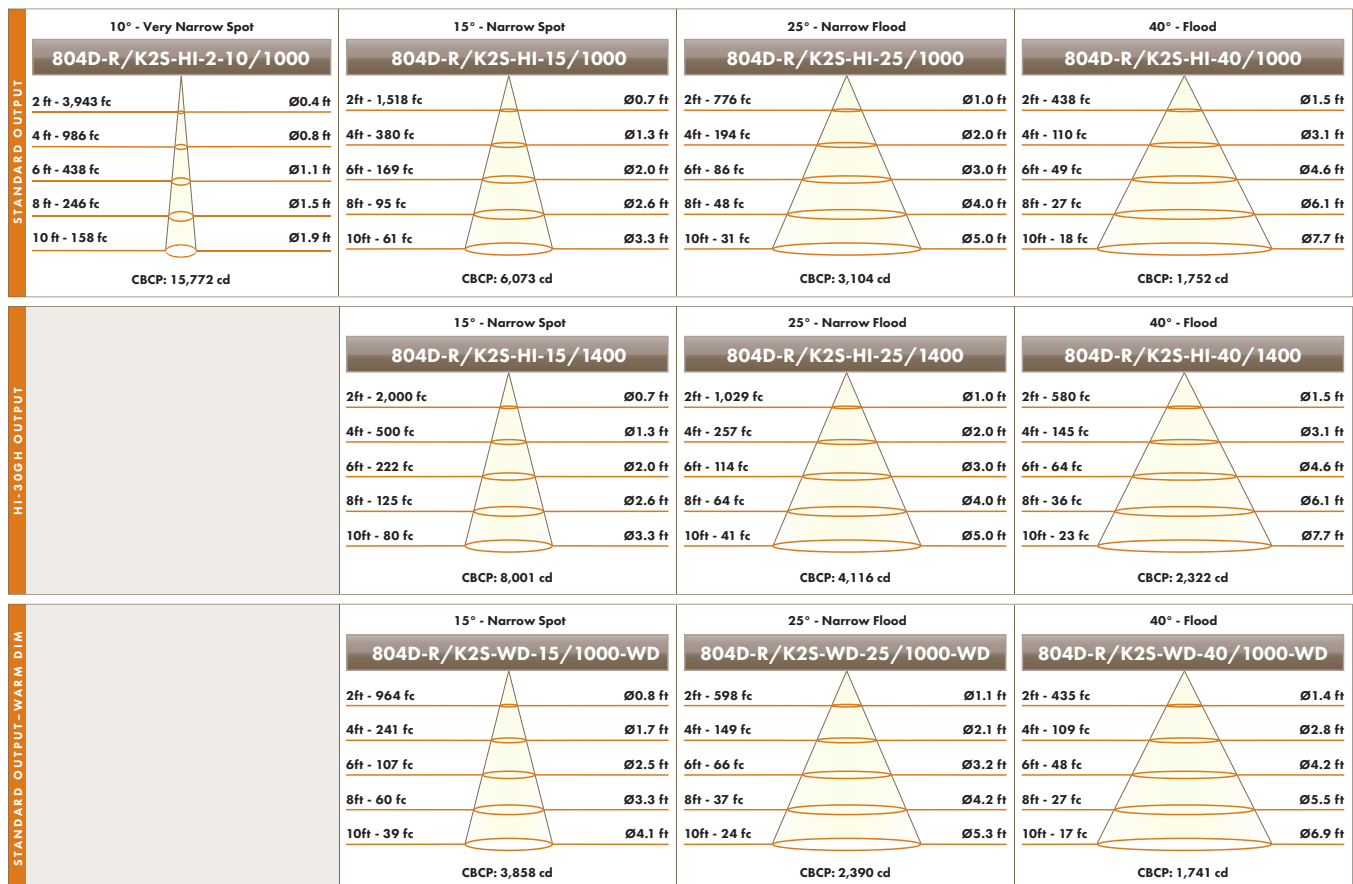
Performance summary for HI LED with 15°, 25°, and 40° optic options and HI-2 LED with 10° optic option.
Performance summary for WD LED at 3000K and WD-2 LED at 2800K with 15°, 25°, and 40° optic options.

804D-R/K2S w/ 2.75" APERTURE TRIM - OPTICAL OPTIONS AND ACCESSORY PERFORMANCE SUMMARY

OPTIC OPTIONS	LED OPTIONS	BEAM ENHANCING LENS (OPTIONAL)*				
		+ NSP	+ NFL	+ FL	+ WFL	+ LS
10° Very Narrow Spot	HI-2	14°	25°	44°	47°	13° x 39°
15° Narrow Spot	HI	21°	31°	52°	65°	23° x 40°
15° Narrow Spot	WD/WD-2	25°	33°	54°	68°	26° x 36°
25° Narrow Flood	HI	30°	37°	57°	73°	30° x 53°
25° Narrow Flood	WD/WD-2	31°	38°	58°	76°	33° x 47°
40° Flood	HI	42°	46°	66°	88°	46° x 53°
40° Flood	WD/WD-2	39°	44°	64°	85°	39° x 60°

*Beam enhancing lens used in combination with 10°, 15°, 25°, or 40° optic to achieve desired beam spread.

804D-R/K2S w/ FR-LG-P/NL 2.75" APERTURE TRIM - CONE OF LIGHT DIAGRAMS



Performance shown for 3000K. Output varies by CCT.

804D-R/M2S-R w/ FR-P TRIM - PERFORMANCE SUMMARY

LED	OUTPUT	CCT	CRI	R9	Delivered Lumens	System Wattage	Delivered LPW
HI-27	1000	2700K	93	55	565-686	14	40-49
HI	1000	3000K	93	56	607-738	14	43-53
HI-27	1400	3000K	93	53	734-884	20	37-44
HI	1400	3000K	93	53	786-951	20	39-48
HI-2-27	1000	2700K	93	58	797	14.5	55
HI-2	1000	3000K	93	59	857	14.5	59
WD	1000-WD	3000-1800K	97	78	470-569	14.5	32-39
WD-2	1000-WD	2800-2200K	96	74	469-560	14.5	32-39

Performance summary for **HI** LED with 15°, 25°, and 40° optic options and **HI-2** LED with 10° optic option.
 Performance summary for **WD** LED at 3000K and **WD-2** LED at 2800K with 15°, 25°, and 40° optic options.

804D-R/M2S-R w/ FR-P TRIM - VERTICAL AIMING RANGE

