

HOUSING: **805** – SUPER SHALLOW LAMP MODULE: **J5** – ADJUSTABLE | LED

Project Name	
Date	Type
Prepared By	
Comments	
Catalog # 805/J5 – – – / – /	



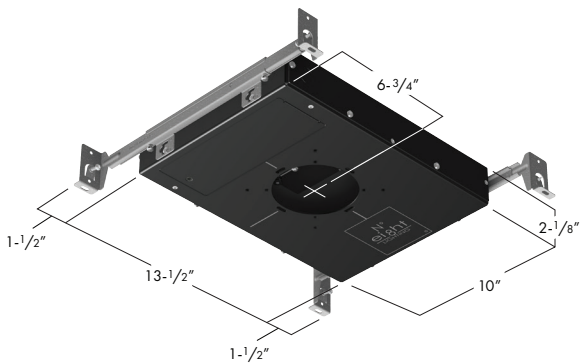
526 Portal Street
Cotati, CA 94931
USA
P 707.794.0888
www.8lighting.com

All No. 8 Lighting fixtures and components are UL Listed to both U.S. and Canadian requirements. No. 8 Lighting products are protected by one or more U.S. Patents. No. 8 Lighting reserves the right to change details of design, materials, and finish.

© 2024 No. 8 Lighting
Doc # 91179-13.0



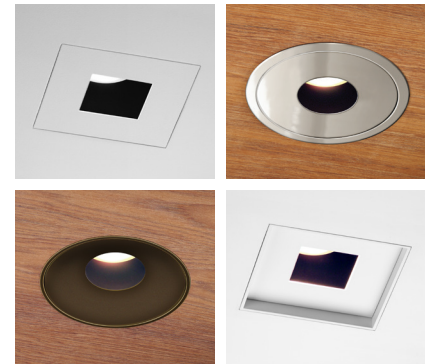

PRODUCT FEATURES



805 - SUPER SHALLOW HOUSING
(Shown with BH mounting accessory)



J5 - LED ADJUSTABLE



800 SERIES TRIMS
(Specified separately)

805/J5 SPECIFICATION SUMMARY

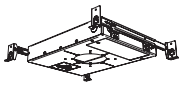
	Static White Standard Output		Static White High Output	Warm Dimming	
	HI-2	HI	HI	WD	WD-2
LED Option	HI-2	HI	HI	WD	WD-2
Delivered Lumens	1043	1093	1437	922	87.5
System Wattage	15.0	14.2	20.3	14.7	14.8
Efficacy	69	77	71	63	59
CRI	95	95	94	97	97
R9	66	63	61	82	80
CCT Options	2700K, 3000K	2700K, 3000K	2700K, 3000K	3000-1800K	2800-2200K
Optic Options	10	15, 25, 40	15, 25, 40	15, 25, 40	15, 25, 40
Color Consistency	2-Step			3-Step	
Optical Accessories	Narrow, Medium, Wide, Extra Wide, Linear Spread, and 2400K, 2700K, 3500K Color Filters				
Adjustability	0-35° Tilt, 360° Rotation, Lockable				
Dimming Options	<1% Forward/Reverse Phase (120v), 0.1/1% 0-10v (120-277v), 0.1/1% DALI (120-277v), 0.1% EcoSystem (120 or 277v)				
Trim Options	Round/Square Flat, Round/Square Bevel, Round/Square Inset				
Finish Options	White, Oil-Rubbed Bronze, Polished Nickel, Satin Nickel, Black				
Trim Mounting Options	Flanged, Flangeless Sheetrock, Flangeless Wood				
Trim Lens Options	UL Wet Listed and IP54 Rated - Clear, Soft Focus				
Housing Options	New Construction: Type IC-CP Rated CCEA Approved Air-Tight				

Data shown for J5 Lamp Module with FS/FLS/INS-LG/NL trim.
Static White data shown for 3000K.
Warm Dimming data shown for 3000K and 2800K.
See Performance Summaries for additional information.
800 Series Trims specified separately.

PRODUCT SPECIFIER/PRODUCT ORDER NUMBER

805 / **J5** - - - - - / - - - - - /

HOUSING / LAMP MODULE - LED OPTIONS - OPTIC OPTIONS - OPTICAL ACCESSORIES (Optional) / DIMMING OPTIONS - OUTPUT / MOUNTING ACCESSORIES



805
New Construction – Super Shallow AIRTIGHT-IC Rated
10"W* x 13-1/2"L* x 2-1/8"H†
*Add 3" to length or width to accommodate mounting accessories.
†Minimum 2-5/8" ceiling space required when used with INSET and BEVEL Series trim assemblies.



J5
LED ADJUSTABLE
35° tilt, full 360° rotation with locking vertical and horizontal adjustment

HI-27
2700K White LED
HI
3000K White LED
HI-2-27*
2700K White LED
HI-2*
3000K White LED
WD†
3000-1800K Warm Dim LED
WD-2†
2800-2200K Warm Dim LED
*For use with 10° optic only. Available in standard output only.
†Available in standard output only.

10*
10° Very Narrow Spot
15
15° Narrow Spot
25
25° Narrow Flood
40
40° Flood
*For use with HI-2 LED option only.

NSP
Narrow Softening Lens
NFL
Medium Softening Lens
FL
Wide Softening Lens
WFL
Extra Wide Softening Lens
LS
Linear Spread Lens
CF24*
2400K Color Filtering Lens
CF27*
2700K Color Filtering Lens
CF35*
3500K Color Filtering Lens
*For use with HI and HI-2 3000K LED options only.

PR1-8.5
Premium Forward or Reverse-Phase <1% Dimming
EL1-8.5*
EldoLED 0-10V 1% Dimming
EL1-01-8.5*
EldoLED 0-10v 0.1% Dimming
EL2-8.5*
EldoLED DALI 1% Dimming
EL2-01-8.5*
EldoLED DALI 0.1% Dimming
LU4-8.5*
Lutron Hi-Lume PEQOE 0.1% EcoSystem Dimming
*Available in standard output only.

1000
Standard output
1000-WD
Standard output – Warm Dimming
1400*
High output
*Not available w/ EL1, EL1-01, EL2, EL2-01 or LU4 dimming options.

BH
Bar Hangers for joist mounting
BB
Butterfly Brackets for c-channel or bar mounting
TBC-BH
T-Bar Mounting Clips + Bar Hangers for T-Bar mounting
PMB
Panel Mounting Brackets (set of two) for direct mounting to wood panels

Housing and Installation Notes

805 Super shallow universal IC Rated housing available with two output options. Meets Washington State Airtight Standard WAC 51-11-0502 and in accordance with ASTM E283 to reduce energy loss. CCEA plenum rated for City of Chicago environmental air spaces. Standard and high output options are IC-Rated for direct contact with standard or spray-foam thermal insulation with a max combined R-Value of R42. For standard output models, ambient temperatures in ceiling space should not exceed 40°C (104°F) during normal operation. For high output models, ambient temperatures should not exceed 25°C (77°F). Accepts **J5**, **K5**, and **W5** LED Lamp Modules and all **800 Series** Trim Assemblies. For 800 Series Trims (specified separately), see 8lighting.com/products-800-series-led.

Lamp Module, LED, Optic Option, and Accessory Notes

J5 Fully adjustable lamp module features patent-pending adjustment mechanism and thermal management design. Use for adjustable accent, wall wash*, and general lighting applications. *For wall washing: specify 40° optic option with **HI**, **WD**, or **WD-2** or 10° optic option and **FL** lens with **HI-2** LED. Requires **WW-8** wall wash accessory, specified with **FS/FR** or **FLS/FLR** (1.75" aperture) **800 Series** trims. To ensure fixture to fixture color consistency, use of the same LED option with adjacent fixtures is recommended. One field interchangeable optic option included standard. Up to two additional optical accessories can be accommodated.

Dimming and Output Option Notes

0-10v dimming options are configured for linear control. DALI dimming options are configured for logarithmic control. No.8 Lighting conducts extensive testing to establish compatibility with many dimmer types. For a complete list of compatible dimmers, see 8lighting.com/resources-downloads. Outputs vary depending on LED type, trim type, and optical accessories used. For photometric files in PDF and IES formats, see 8lighting.com/800-series-photometry.

Warranty

All No. 8 Lighting products are covered by a 5 year limited warranty. Products installed in residential steam applications are covered by a 2 year limited warranty. For specific warranty details and limitations, see 8lighting.com/resources-downloads.

JA8-2022 CA Title 24 Compliant

805/J5 w/ FS/FLS/INS 1.75" APERTURE TRIM - PERFORMANCE SUMMARY

LED	OUTPUT	CCT	CRI	R9	Delivered Lumens	System Wattage	Delivered LPW
HI-27	1000	2700K	95	63	819-950	14.2	58-67
HI	1000	3000K	95	63	881-1021	14.2	62-72
HI-27	1400	2700K	94	61	1078-1246	20.3	54-61
HI	1400	3000K	94	61	1159-1340	20.3	58-66
HI-2-27	1000	2700K	95	66	952	15.0	63
HI-2	1000	3000K	95	66	1024	15.0	68
WD	1000-WD	3000-1800K	97	82	728-841	14.7	50-57
WD-2	1000-WD	2800-2200K	97	80	697-796	14.8	47-54

Performance summary for HI LED with 15°, 25°, and 40° optic options and HI-2 LED with 10° optic option.
 Performance summary for WD LED at 3000K and WD-2 LED at 2800K with 15°, 25°, and 40° optic options.

805/J5 w/ FR/FLR/INR 1.75" APERTURE TRIM - PERFORMANCE SUMMARY

LED	OUTPUT	CCT	CRI	R9	Delivered Lumens	System Wattage	Delivered LPW
HI-27	1000	2700K	95	63	802-940	14.2	57-66
HI	1000	3000K	95	63	862-1011	14.2	61-71
HI-27	1400	2700K	94	61	1038-1238	20.3	52-61
HI	1400	3000K	94	61	1117-1331	20.3	56-66
HI-2-27	1000	2700K	95	66	944	15.0	63
HI-2	1000	3000K	95	66	1015	15.0	68
WD	1000-WD	3000-1800K	97	82	705-814	14.7	48-55
WD-2	1000-WD	2800-2200K	97	80	764-788	14.8	51-53

Performance summary for HI LED with 15°, 25°, and 40° optic options and HI-2 LED with 10° optic option.
 Performance summary for WD LED at 3000K and WD-2 LED at 2800K with 15°, 25°, and 40° optic options.

805/J5 w/ 1.75" APERTURE TRIM - OPTICAL OPTIONS AND ACCESSORY PERFORMANCE SUMMARY

OPTIC OPTIONS	LED OPTIONS	BEAM ENHANCING LENS (OPTIONAL)*				
		+ NSP	+ NFL	+ FL	+ WFL	+ LS
10° Very Narrow Spot	HI-2	14°	24°	45°	54°	13° x 46°
15° Narrow Spot	HI	21°	30°	51°	60°	21° x 51°
15° Narrow Spot	WD/WD-2	24°	32°	51°	59°	24° x 55°
25° Narrow Flood	HI	30°	36°	55°	63°	30° x 55°
25° Narrow Flood	WD/WD-2	30°	36°	54°	61°	30° x 57°
40° Flood	HI	41°	45°	62°	70°	40° x 63°
40° Flood	WD/WD-2	38°	42°	57°	64°	37° x 61°

*Beam enhancing lens used in combination with 10°, 15°, 25°, or 40° optic to achieve desired beam spread.

805/J5 w/ FS/FLS/INS 1.75" APERTURE TRIM - CONE OF LIGHT DIAGRAMS

STANDARD OUTPUT	<p>10° - Very Narrow Spot</p> <p>805/J5-HI-2-10/1000</p> <p>2ft - 3,852 fc Ø0.4 ft</p> <p>4ft - 963 fc Ø0.8 ft</p> <p>6ft - 428 fc Ø1.2 ft</p> <p>8ft - 241 fc Ø1.6 ft</p> <p>10ft - 154 fc Ø2.0 ft</p> <p>CBCP: 15,447 cd</p>	<p>15° - Narrow Spot</p> <p>805/J5-HI-15/1000</p> <p>2ft - 1,488 fc Ø0.7 ft</p> <p>4ft - 372 fc Ø1.3 ft</p> <p>6ft - 165 fc Ø2.0 ft</p> <p>8ft - 93 fc Ø2.6 ft</p> <p>10ft - 60 fc Ø3.3 ft</p> <p>CBCP: 5,954 cd</p>	<p>25° - Narrow Flood</p> <p>805/J5-HI-25/1000</p> <p>2ft - 726 fc Ø1.0 ft</p> <p>4ft - 182 fc Ø2.1 ft</p> <p>6ft - 81 fc Ø3.1 ft</p> <p>8ft - 45 fc Ø4.2 ft</p> <p>10ft - 29 fc Ø5.2 ft</p> <p>CBCP: 2,906 cd</p>	<p>40° - Flood</p> <p>805/J5-HI-40/1000</p> <p>2ft - 459 fc Ø1.5 ft</p> <p>4ft - 115 fc Ø3.0 ft</p> <p>6ft - 51 fc Ø4.5 ft</p> <p>8ft - 29 fc Ø6.0 ft</p> <p>10ft - 18 fc Ø7.5 ft</p> <p>CBCP: 1,839 cd</p>		
	HI-300GH OUTPUT	<p>15° - Narrow Spot</p> <p>805/J5-HI-15/1400</p> <p>2ft - 1,967 fc Ø0.7 ft</p> <p>4ft - 492 fc Ø1.3 ft</p> <p>6ft - 219 fc Ø2.0 ft</p> <p>8ft - 123 fc Ø2.7 ft</p> <p>10ft - 79 fc Ø3.3 ft</p> <p>CBCP: 7,880 cd</p>	<p>25° - Narrow Flood</p> <p>805/J5-HI-25/1400</p> <p>2ft - 952 fc Ø1.1 ft</p> <p>4ft - 238 fc Ø2.1 ft</p> <p>6ft - 106 fc Ø3.1 ft</p> <p>8ft - 60 fc Ø4.2 ft</p> <p>10ft - 38 fc Ø5.2 ft</p> <p>CBCP: 3,811 cd</p>	<p>40° - Flood</p> <p>805/J5-HI-40/1400</p> <p>2ft - 605 fc Ø1.5 ft</p> <p>4ft - 151 fc Ø3.0 ft</p> <p>6ft - 67 fc Ø4.5 ft</p> <p>8ft - 38 fc Ø6.0 ft</p> <p>10ft - 24 fc Ø7.5 ft</p> <p>CBCP: 2,424 cd</p>		
		STANDARD OUTPUT - WARM DIM	<p>15° - Narrow Spot</p> <p>805/J5-WD-15/1000-WD</p> <p>2ft - 961 fc Ø0.8 ft</p> <p>4ft - 240 fc Ø1.6 ft</p> <p>6ft - 107 fc Ø2.5 ft</p> <p>8ft - 60 fc Ø3.3 ft</p> <p>10ft - 38 fc Ø4.1 ft</p> <p>CBCP: 3,847 cd</p>	<p>25° - Narrow Flood</p> <p>805/J5-WD-25/1000-WD</p> <p>2ft - 604 fc Ø1.1 ft</p> <p>4ft - 151 fc Ø2.1 ft</p> <p>6ft - 67 fc Ø3.1 ft</p> <p>8ft - 38 fc Ø4.2 ft</p> <p>10ft - 24 fc Ø5.2 ft</p> <p>CBCP: 2,417 cd</p>	<p>40° - Flood</p> <p>805/J5-WD-40/1000-WD</p> <p>2ft - 444 fc Ø1.3 ft</p> <p>4ft - 111 fc Ø2.7 ft</p> <p>6ft - 49 fc Ø4.0 ft</p> <p>8ft - 28 fc Ø5.4 ft</p> <p>10ft - 18 fc Ø6.7 ft</p> <p>CBCP: 1,776 cd</p>	

Performance shown for 3000K. Output varies by CCT.

805/J5 w/ FS/FLS/INS-LG/NL 2.75" APERTURE TRIM - PERFORMANCE SUMMARY

LED	OUTPUT	CCT	CRI	R9	Delivered Lumens	System Wattage	Delivered LPW
HI-27	1000	2700K	95	63	908-1016	14.2	64-72
HI	1000	3000K	95	63	976-1093	14.2	69-77
HI-27	1400	2700K	94	61	1199-1336	20.3	60-66
HI	1400	3000K	94	61	1289-1437	20.3	64-71
HI-2-27	1000	2700K	95	66	970	15.0	64
HI-2	1000	3000K	95	66	1043	15.0	69
WD	1000-WD	3000-1800K	97	82	830-922	14.7	57-63
WD-2	1000-WD	2800-2200K	97	80	794-875	14.8	54-59

Performance summary for HI LED with 15°, 25°, and 40° optic options and HI-2 LED with 10° optic option.
 Performance summary for WD LED at 3000K and WD-2 LED at 2800K with 15°, 25°, and 40° optic options.

805/J5 w/ FR/FLR/INR-LG/NL 2.75" APERTURE TRIM - PERFORMANCE SUMMARY

LED	OUTPUT	CCT	CRI	R9	Delivered Lumens	System Wattage	Delivered LPW
HI-27	1000	2700K	95	63	907-1011	14.2	64-71
HI	1000	3000K	95	63	975-1087	14.2	69-76
HI-27	1400	2700K	94	61	1189-1339	20.3	59-66
HI	1400	3000K	94	61	1278-1440	20.3	63-71
HI-2-27	1000	2700K	95	66	972	15.0	65
HI-2	1000	3000K	95	66	1045	15.0	70
WD	1000-WD	3000-1800K	97	82	827-907	14.7	57-62
WD-2	1000-WD	2800-2200K	97	80	797-874	14.8	53-59

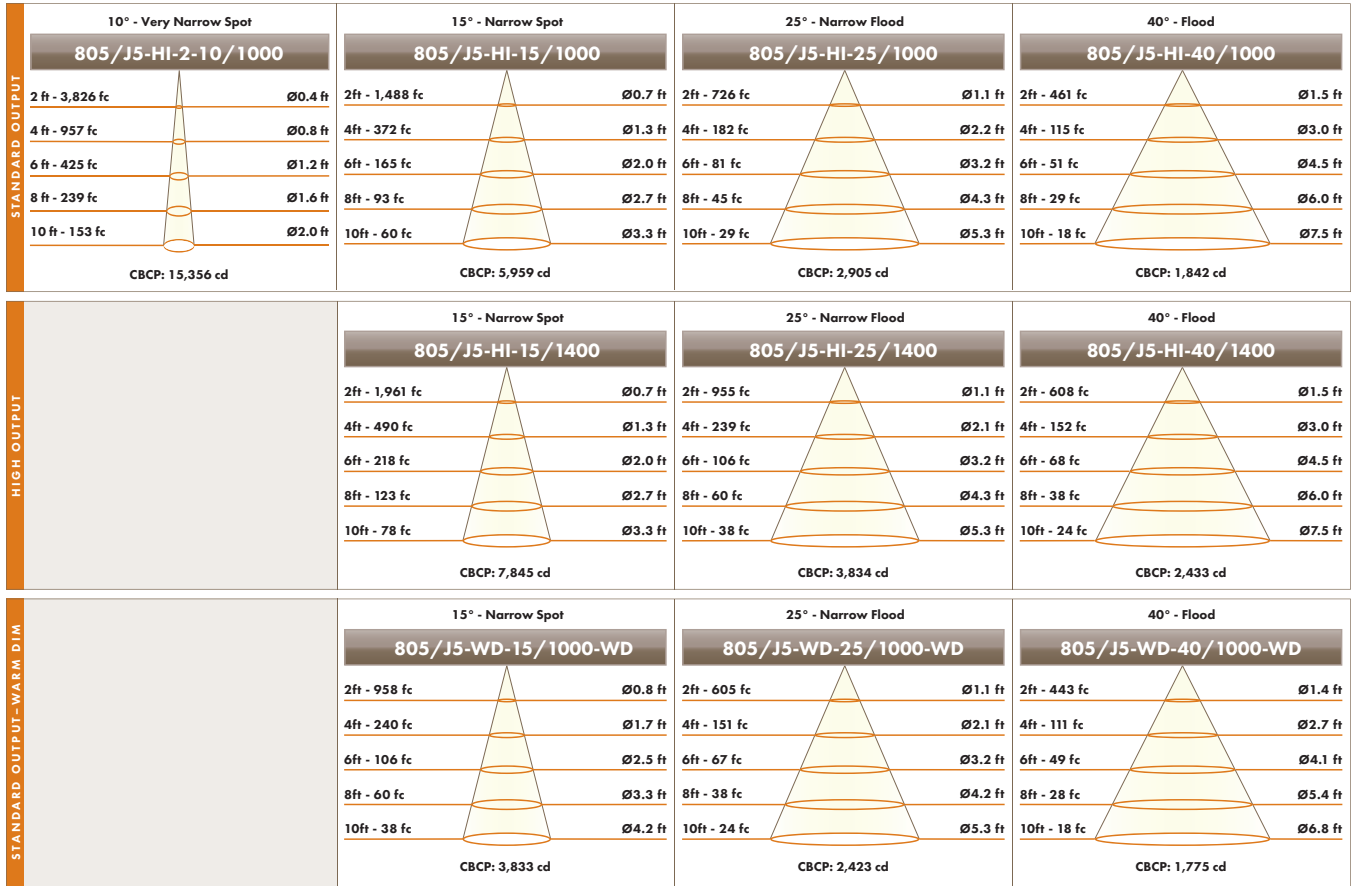
Performance summary for HI LED with 15°, 25°, and 40° optic options and HI-2 LED with 10° optic option.
 Performance summary for WD LED at 3000K and WD-2 LED at 2800K with 15°, 25°, and 40° optic options.

805/J5 w/ 2.75" APERTURE TRIM - OPTICAL OPTIONS AND ACCESSORY PERFORMANCE SUMMARY

OPTIC OPTIONS	LED OPTIONS	BEAM ENHANCING LENS (OPTIONAL)*				
		+ NSP	+ NFL	+ FL	+ WFL	+ LS
10° Very Narrow Spot	HI-2	14°	24°	47°	58°	13° x 50°
15° Narrow Spot	HI	21°	31°	55°	67°	22° x 56°
15° Narrow Spot	WD/WD-2	24°	33°	55°	67°	24° x 62°
25° Narrow Flood	HI	30°	37°	60°	72°	30° x 61°
25° Narrow Flood	WD/WD-2	30°	37°	59°	71°	30° x 64°
40° Flood	HI	41°	45°	68°	81°	41° x 70°
40° Flood	WD/WD-2	38°	43°	65°	78°	37° x 71°

*Beam enhancing lens used in combination with 10°, 15°, 25°, or 40° optic to achieve desired beam spread.

805/J5 w/ FS/FLS/INS-LG/NL 2.75" APERTURE TRIM - CONE OF LIGHT DIAGRAMS



Performance shown for 3000K. Output varies by CCT.