

HOUSING: **804S** – LOW PROFILE
 LAMP MODULE: **J2S** – ADJUSTABLE | LED

Project Name	
Date	Type
Prepared By	
Comments	
Catalog # 804S/J2S – – – / – /	



eight
LIGHTING

526 Portal Street
 Cotati, CA 94931
 USA
 P 707.794.0888
 www.8lighting.com

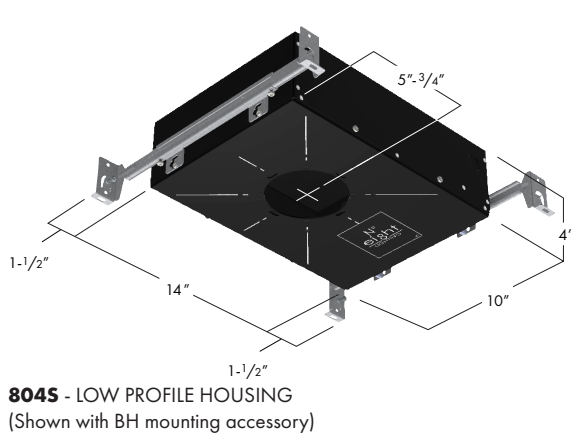
All No. 8 Lighting fixtures and components are UL Listed to both U.S. and Canadian requirements. Select 804S Series fixtures and components are also CE Certified. No. 8 Lighting trims and lamp modules are protected by one or more U.S. Patents. No. 8 Lighting reserves the right to change details of design, materials, and finish.

© 2024 No. 8 Lighting
 Doc # 91170-13.2





PRODUCT FEATURES



804S/J2S SPECIFICATION SUMMARY

	Static White Standard Output			Static White High Output	Warm Dimming		Tunable White
LED Option	HI-3	HI-2	HI	HI	WD	WD-2	TW
Delivered Lumens	949	1044	1041	1357	837	834	1018
System Wattage	14.7	14.5	14	20	14.5	14.5	14
Efficacy	64	72	74	68	58	58	73
CRI	97	94	94	93	97	97	95
R9	98	63	60	58	82	77	79
CCT Options	2700K, 3000K	2700K, 3000K	2700K, 3000K	2700K, 3000K	3000-1800K	2800-2200K	4700-2200K
Optic Options	10, 15, 25, 40	10	15, 25, 40	15, 25, 40	15, 25, 40	15, 25, 40	15T, 25, 40
Color Consistency	2-Step			3-Step			
Optical Accessories	Narrow, Medium, Wide, Extra Wide, Linear Spread, and 2400K, 2700K, 3500K Color Filters						
Adjustability	0-45° Tilt, 360° Rotation, Lockable						
Dimming Options	<1% Forward/Reverse Phase (120v), 0.1/1% 0-10v (120-277v), 0.1/1% DALI (120-277v), 0.1% DMX (120-277v), 0.1/1% EcoSystem (120 or 277v)						
Trim Options	Round/Square Flat, Round/Square Bevel, Round/Square Inset, Round/Square Wall-Wash						
Finish Options	White, Oil-Rubbed Bronze, Polished Nickel, Satin Nickel, Black						
Trim Mounting Options	Flanged, Flangeless Sheetrock, Flangeless Wood						
Trim Lens Options	UL Wet Listed and IP54 Rated - Clear, Soft Focus, Wall-Wash						
Housing Options	New Construction: Type Non-IC Air-Tight, Type IC-CP Rated CCEA Approved Air-Tight						

Data shown for J2S Lamp Module with FS/FLS/INS-LG/NL trim.
 Static White data shown for 3000K.
 Warm Dimming data shown for 3000K and 2800K.
 Tunable White data shown for 3000K.
 See Performance Summaries for additional information.
 800 Series Trims specified separately.

PRODUCT SPECIFIER/PRODUCT ORDER NUMBER

804S

J2S

HOUSING

LAMP
MODULE

LED
OPTIONS

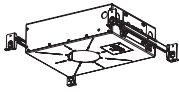
OPTIC
OPTIONS

OPTICAL
ACCESSORIES
(Optional)

DIMMING
OPTIONS

OUTPUT

MOUNTING
ACCESSORIES



804S

New Construction – Low Profile AIRTIGHT-IC and Non-IC Rated

10"W* x 14"L* x 4"H†

*Add 3" to length or width to accommodate mounting accessories.

†Minimum 4 -1/2" ceiling space required when used with INSET and BEVEL Series trim assemblies.

LED
ADJUSTABLE



J2S

45° tilt, full 360° rotation with tool-less locking vertical and horizontal adjustment

HI-27
2700K White LED

HI
3000K White LED

HI-2-27*†
2700K White LED

HI-2*†
3000K White LED

HI-3-27†
2700K White High R9 LED

HI-3†
3000K White High R9 LED

WD†
3000-1800K Warm Dim LED

WD-2†
2800-2200K Warm Dim LED

TW†
4700-2200K Tunable White LED

*For use with 10° optic only.

†Available in standard output only.

10*
10° Very Narrow Spot

15†
15° Narrow Spot

15T**
15° Narrow Spot - Tunable White

25††
25° Narrow Flood

40††
40° Flood

*For use with HI-2 or HI-3 LED options only.

†For use with HI, WD, or WD-2 LED options only.

**For use with TW LED option only.

†† For use with HI, WD, WD-2, or TW LED options only.

NSP
Narrow Softening Lens

NFL
Medium Softening Lens

FL
Wide Softening Lens

WFL
Extra Wide Softening Lens

LS
Linear Spread Lens

CF24*
2400K Color Filtering Lens

CF27*
2700K Color Filtering Lens

CF35*
3500K Color Filtering Lens

*For use with HI, HI-2, and HI-3 3000K LED options only.

PR1-8
Premium Forward or Reverse-Phase <1% Dimming

EL1-8†
EldoLED 0-10v 1% Dimming

EL1-01-8†
EldoLED 0-10v 0.1% Dimming

EL2-8†
EldoLED DALI 1% Dimming

EL2-01-8†
EldoLED DALI 0.1% Dimming

EL3-8*
EldoLED 2-channel DALI 0.1% Dimming

EL4-8*
EldoLED 4-channel DMX 0.1% Dimming

EL5-8*
EldoLED 2-channel 0-10v 0.1% Dimming

LU2-8
Lutron Hi-Lume LDE1 EcoSystem 1% Dimming

LU4-8
Lutron Hi-Lume PEQOE EcoSystem 0.1% Dimming

*Available with TW LED option only.

†Also CE Certified with HI or HI-2 LED options.

1000
Standard output

1000-HI-3
Standard output – High R9

1000-WD
Standard output – Warm Dimming

1000-TW†
Standard output – Tunable White

1400*
High output

*Non-IC only. Not available w/ LU2-8 or LU4-8 dimming options.

†For use with EL3-8, EL4-8, or EL5-8 dimming options only.

BH
Bar Hangers for joist mounting

BB
Butterfly Brackets for c-channel or bar mounting

TBC-BH
T-Bar Mounting Clips + Bar Hangers for T-Bar mounting

PMB
Panel Mounting Brackets (set of two) for direct mounting to wood panels

Housing and Installation Notes

804S Low Profile universal IC and Non-IC Rated housing available with two output options. Meets Washington State Airtight Standard WAC 51-11-0502 and in accordance with ASTM E283 to reduce energy loss. CCEA plenum rated for City of Chicago environmental air spaces. Standard output options are IC-Rated for direct contact with standard or spray-foam thermal insulation with a max combined R-Value of R42. High output options are Non-IC rated for use where insulation can be kept a minimum of 3" away from all sides. For standard output models, ambient temperatures in ceiling space should not exceed 40°C (104°F) during normal operation. For high output models and all models with **LU2-8** dimming option, ambient temperatures should not exceed 25°C (77°F). Accepts **J2S**, **K2S**, and **M2S** LED Lamp Modules and all **800 Series** Trim Assemblies. For **800 Series** Trims (specified separately), see 8lighting.com/products-800-series-led.

Lamp Module, LED, Optic Option, and Accessory Notes

J2S Fully adjustable lamp module features patented tool-free adjustment mechanism. Use for adjustable accent, wall wash*, and general lighting applications. *For wall washing: specify 40° optic option with **HI**, **HI-3**, **WD**, **WD-2**, or **TW** LED or 10° optic option and **FL** lens with **HI-2** LED. Requires **WW-8** wall wash accessory, specified with **FS/FR** or **FLS/FLR** (1.75" aperture) **800 Series** trims. To ensure fixture to fixture color consistency, use of the same LED option with adjacent fixtures is recommended. One field interchangeable optic option included standard. Up to two additional optical accessories can be accommodated.

Dimming and Output Option Notes

0-10v dimming options are configured for linear control. DALI dimming options are configured for logarithmic control. No.8 Lighting conducts extensive testing to establish compatibility with many dimmer types. For a complete list of compatible dimmers, see 8lighting.com/resources-downloads. Outputs vary depending on LED type, trim type, and optical accessories used. For photometric files in PDF and IES formats, see 8lighting.com/800-series-photometry.

Warranty

All No. 8 Lighting products are covered by a 5 year limited warranty. Products installed in residential steam applications are covered by a 2 year limited warranty. For specific warranty details and limitations, see 8lighting.com/resources-downloads.

JA8-2022 CA Title 24 Compliant

804S/J2S w/ FS/FLS/INS 1.75" APERTURE TRIM - PERFORMANCE SUMMARY

LED	OUTPUT	CCT	CRI	R9	Delivered Lumens	System Wattage	Delivered LPW
HI-27	1000	2700K	94	59	737-883	14	53-63
HI	1000	3000K	94	60	792-949	14	57-68
HI-27	1400	2700K	94	57	962-1141	20	48-57
HI	1400	3000K	93	58	1034-1227	20	52-61
HI-2-27	1000	2700K	94	62	955	14.5	66
HI-2	1000	3000K	94	63	1027	14.5	71
HI-3-27	1000-HI-3	2700K	97	96-98	666-811	14.7	45-55
HI-3	1000-HI-3	3000K	97	96-98	716-872	14.7	49-59
WD	1000-WD	3000-1800K	97	82	602-735	14.5	42-51
WD-2	1000-WD	2800-2200K	96	78	598-731	14.5	41-50
TW	1000-TW	4700-2200K	95	79	672-943	14	48-67

Performance summary for HI LED with 15°, 25°, and 40° optic options, HI-2 LED with 10° optic option, and HI-3 LED with 10°, 15°, 25°, and 40° optic options.
 Performance summary for WD LED at 3000K and WD-2 LED at 2800K with 15°, 25°, and 40° optic options.
 Performance summary for TW LED at 3000K with 15°, 25°, and 40° optic options.

804S/J2S w/ FR/FLR/INR 1.75" APERTURE TRIM - PERFORMANCE SUMMARY

LED	OUTPUT	CCT	CRI	R9	Delivered Lumens	System Wattage	Delivered LPW
HI-27	1000	2700K	94	59	714-875	14	51-63
HI	1000	3000K	94	60	768-941	14	55-67
HI-27	1400	2700K	94	57	933-1156	20	47-58
HI	1400	3000K	93	58	1003-1243	20	50-62
HI-2-27	1000	2700K	94	62	946	14.5	65
HI-2	1000	3000K	94	63	1017	14.5	70
HI-3-27	1000-HI-3	2700K	97	96-98	646-804	14.7	44-55
HI-3	1000-HI-3	3000K	97	96-98	695-865	14.7	48-59
WD	1000-WD	3000-1800K	97	81	600-739	14.5	41-51
WD-2	1000-WD	2800-2200K	97	77	595-739	14.5	41-51
TW	1000-TW	4700-2200K	95	79	645-918	14	46-66

Performance summary for HI LED with 15°, 25°, and 40° optic options, HI-2 LED with 10° optic option, and HI-3 LED with 10°, 15°, 25°, and 40° optic options.
 Performance summary for WD LED at 3000K and WD-2 LED at 2800K with 15°, 25°, and 40° optic options.
 Performance summary for TW LED at 3000K with 15°, 25°, and 40° optic options.

804S/J2S w/ 1.75" APERTURE TRIM - OPTICAL OPTIONS AND ACCESSORY PERFORMANCE SUMMARY

OPTIC OPTIONS	LED OPTIONS	BEAM ENHANCING LENS (OPTIONAL)*				
		+ NSP	+ NFL	+ FL	+ WFL	+ LS
10° Very Narrow Spot	HI-2	14°	25°	44°	47°	13° x 39°
10° Very Narrow Spot	HI-3	14°	23°	40°	46°	14° x 41°
15° Narrow Spot	HI	21°	30°	45°	51°	21° x 40°
15° Narrow Spot	HI-3	17°	26°	42°	50°	17° x 43°
15° Narrow Spot	WD/WD-2	24°	31°	36°	50°	25° x 41°
15° Narrow Spot	TW	21°	27°	37°	38°	25° x 30°
25° Narrow Flood	HI	28°	34°	47°	52°	30° x 39°
25° Narrow Flood	HI-3	24°	30°	47°	52°	24° x 49°
25° Narrow Flood	WD/WD-2	29°	34°	46°	52°	32° x 38°
25° Narrow Flood	TW	28°	37°	46°	50°	29° x 43°
40° Flood	HI	41°	43°	43°	59°	40° x 52°
40° Flood	HI-3	33°	37°	49°	54°	32° x 51°
40° Flood	WD/WD-2	37°	40°	49°	54°	37° x 47°
40° Flood	TW	37°	40°	49°	54°	36° x 48°

*Beam enhancing lens used in combination with 10°, 15°, 25°, or 40° optic to achieve desired beam spread.

804S/J2S w/ FS/FLS/INS 1.75" APERTURE TRIM - CONE OF LIGHT DIAGRAMS

STANDARD OUTPUT	<p>10° - Very Narrow Spot</p> <p>804S/J2S-HI-2-10/1000</p> <p>2 ft - 3,938 fc Ø0.4 ft</p> <p>4 ft - 985 fc Ø0.8 ft</p> <p>6 ft - 438 fc Ø1.2 ft</p> <p>8 ft - 246 fc Ø1.5 ft</p> <p>10 ft - 158 fc Ø1.9 ft</p> <p>CBCP: 15,774 cd</p>	<p>15° - Narrow Spot</p> <p>804S/J2S-HI-15/1000</p> <p>2ft - 1,426 fc Ø0.07 ft</p> <p>4ft - 356 fc Ø1.3 ft</p> <p>6ft - 158 fc Ø2.0 ft</p> <p>8ft - 89 fc Ø2.6 ft</p> <p>10ft - 57 fc Ø3.3 ft</p> <p>CBCP: 5,723 cd</p>	<p>25° - Narrow Flood</p> <p>804S/J2S-HI-25/1000</p> <p>2ft - 736 fc Ø1.0 ft</p> <p>4ft - 184 fc Ø1.9 ft</p> <p>6ft - 82 fc Ø2.9 ft</p> <p>8ft - 46 fc Ø3.9 ft</p> <p>10ft - 29 fc Ø4.8 ft</p> <p>CBCP: 2,952 cd</p>	<p>40° - Flood</p> <p>804S/J2S-HI-40/1000</p> <p>2ft - 435 fc Ø1.5 ft</p> <p>4ft - 109 fc Ø3.0 ft</p> <p>6ft - 48 fc Ø4.4 ft</p> <p>8ft - 27 fc Ø5.9 ft</p> <p>10ft - 17 fc Ø7.4 ft</p> <p>CBCP: 1,739 cd</p>	
		<p>15° - Narrow Spot</p> <p>804S/J2S-HI-15/1400</p> <p>2ft - 1,854 fc Ø0.7 ft</p> <p>4ft - 464 fc Ø1.3 ft</p> <p>6ft - 206 fc Ø2.0 ft</p> <p>8ft - 116 fc Ø2.6 ft</p> <p>10ft - 74 fc Ø3.3 ft</p> <p>CBCP: 7,456 cd</p>	<p>25° - Narrow Flood</p> <p>804S/J2S-HI-25/1400</p> <p>2ft - 736 fc Ø1.0 ft</p> <p>4ft - 184 fc Ø1.9 ft</p> <p>6ft - 82 fc Ø2.9 ft</p> <p>8ft - 46 fc Ø3.9 ft</p> <p>10ft - 29 fc Ø4.8 ft</p> <p>CBCP: 2,952 cd</p>	<p>40° - Flood</p> <p>804S/J2S-HI-40/1400</p> <p>2ft - 568 fc Ø1.5 ft</p> <p>4ft - 142 fc Ø3.0 ft</p> <p>6ft - 63 fc Ø4.4 ft</p> <p>8ft - 35 fc Ø5.9 ft</p> <p>10ft - 23 fc Ø7.4 ft</p> <p>CBCP: 2,275 cd</p>	
	HIGH OUTPUT	<p>10° - Very Narrow Spot</p> <p>804S/J2S-HI-3-10/1000-HI-3</p> <p>2 ft - 3,109 fc Ø0.4 ft</p> <p>4 ft - 777 fc Ø0.9 ft</p> <p>6 ft - 345 fc Ø1.3 ft</p> <p>8 ft - 194 fc Ø1.7 ft</p> <p>10 ft - 124 fc Ø2.2 ft</p> <p>CBCP: 12,463 cd</p>	<p>15° - Narrow Spot</p> <p>804S/J2S-HI-3-15/1000-HI-3</p> <p>2ft - 1,922 fc Ø0.07 ft</p> <p>4ft - 481 fc Ø1.1 ft</p> <p>6ft - 214 fc Ø1.6 ft</p> <p>8ft - 120 fc Ø2.2 ft</p> <p>10ft - 77 fc Ø3.7 ft</p> <p>CBCP: 7,747 cd</p>	<p>25° - Narrow Flood</p> <p>804S/J2S-HI-3-25/1000-HI-3</p> <p>2ft - 917 fc Ø0.8 ft</p> <p>4ft - 229 fc Ø1.6 ft</p> <p>6ft - 102 fc Ø2.4 ft</p> <p>8ft - 57 fc Ø3.3 ft</p> <p>10ft - 37 fc Ø4.1 ft</p> <p>CBCP: 3,675 cd</p>	<p>40° - Flood</p> <p>804S/J2S-HI-3-40/1000-HI-3</p> <p>2ft - 545 fc Ø1.2 ft</p> <p>4ft - 136 fc Ø2.4 ft</p> <p>6ft - 61 fc Ø3.5 ft</p> <p>8ft - 34 fc Ø4.7 ft</p> <p>10ft - 22 fc Ø5.9 ft</p> <p>CBCP: 2,183 cd</p>
			<p>15° - Narrow Spot</p> <p>804S/J2S-WD-15/1000-WD</p> <p>2ft - 871 fc Ø0.8 ft</p> <p>4ft - 218 fc Ø1.6 ft</p> <p>6ft - 97 fc Ø2.4 ft</p> <p>8ft - 54 fc Ø3.3 ft</p> <p>10ft - 35 fc Ø4.1 ft</p> <p>CBCP: 3,498 cd</p>	<p>25° - Narrow Flood</p> <p>804S/J2S-WD-25/1000-WD</p> <p>2ft - 533 fc Ø1.0 ft</p> <p>4ft - 133 fc Ø2.0 ft</p> <p>6ft - 59 fc Ø3.1 ft</p> <p>8ft - 33 fc Ø4.1 ft</p> <p>10ft - 21 fc Ø5.1 ft</p> <p>CBCP: 2,136 cd</p>	<p>40° - Flood</p> <p>804S/J2S-WD-40/1000-WD</p> <p>2ft - 401 fc Ø1.3 ft</p> <p>4ft - 100 fc Ø2.6 ft</p> <p>6ft - 45 fc Ø4.0 ft</p> <p>8ft - 25 fc Ø5.3 ft</p> <p>10ft - 16 fc Ø6.6 ft</p> <p>CBCP: 1,605 cd</p>
STANDARD OUTPUT - HI-3			<p>15° - Narrow Spot</p> <p>804S/J2S-TW-15T/1000-TW</p> <p>2ft - 1,730 fc Ø0.8 ft</p> <p>4ft - 432 fc Ø1.5 ft</p> <p>6ft - 192 fc Ø2.3 ft</p> <p>8ft - 108 fc Ø3.1 ft</p> <p>10ft - 69 fc Ø3.9 ft</p> <p>CBCP: 6,919 cd</p>	<p>25° - Narrow Flood</p> <p>804S/J2S-TW-25/1000-TW</p> <p>2ft - 606 fc Ø1.0 ft</p> <p>4ft - 152 fc Ø2.0 ft</p> <p>6ft - 67 fc Ø3.0 ft</p> <p>8ft - 38 fc Ø4.0 ft</p> <p>10ft - 24 fc Ø5.0 ft</p> <p>CBCP: 2,424 cd</p>	<p>40° - Flood</p> <p>804S/J2S-TW-40/1000-TW</p> <p>2ft - 430 fc Ø1.3 ft</p> <p>4ft - 108 fc Ø2.7 ft</p> <p>6ft - 48 fc Ø4.0 ft</p> <p>8ft - 27 fc Ø5.4 ft</p> <p>10ft - 17 fc Ø6.7 ft</p> <p>CBCP: 1,722 cd</p>
	STANDARD OUTPUT - WARM DIM				
STANDARD OUTPUT - TUNABLE WHITE					

Performance shown for 3000K. Output varies by CCT.

804S/J2S w/ FS/FLS/INS-LG/NL 2.75" APERTURE TRIM - PERFORMANCE SUMMARY

LED	OUTPUT	CCT	CRI	R9	Delivered Lumens	System Wattage	Delivered LPW
HI-27	1000	2700K	94	59	838-968	14	60-69
HI	1000	3000K	94	60	901-1041	14	64-74
HI-27	1400	2700K	94	57	1098-1262	20	55-63
HI	1400	3000K	93	58	1181-1357	20	59-68
HI-2-27	1000	2700K	94	62	971	14.5	67
HI-2	1000	3000K	94	63	1044	14.5	72
HI-3-27	1000-HI-3	2700K	97	96-98	760-883	14.7	52-60
HI-3	1000-HI-3	3000K	97	96-98	817-949	14.7	56-64
WD	1000-WD	3000-1800K	97	82	727-837	14.5	50-58
WD-2	1000-WD	2800-2200K	96	77	728-834	14.5	40-58
TW	1000-TW	4700-2200K	95	79	803-1018	14	57-73

Performance summary for HI LED with 15°, 25°, and 40° optic options, HI-2 LED with 10° optic option, and HI-3 LED with 10°, 15°, 25°, and 40° optic options.

Performance summary for WD LED at 3000K and WD-2 LED at 2800K with 15°, 25°, and 40° optic options.

Performance summary for TW LED at 3000K with 15°, 25°, and 40° optic options.

804S/J2S w/ FR/FLR/INR-LG/NL 2.75" APERTURE TRIM - PERFORMANCE SUMMARY

LED	OUTPUT	CCT	CRI	R9	Delivered Lumens	System Wattage	Delivered LPW
HI-27	1000	2700K	94	59	846-976	14	60-70
HI	1000	3000K	94	60	910-1049	14	65-75
HI-27	1400	2700K	94	57	1097-1256	20	55-63
HI	1400	3000K	93	58	1180-1350	20	59-68
HI-2-27	1000	2700K	94	62	976	14.5	67
HI-2	1000	3000K	94	63	1049	14.5	72
HI-3-27	1000-HI-3	2700K	97	96-98	766-856	14.7	52-58
HI-3	1000-HI-3	3000K	97	96-98	824-920	14.7	56-62
WD	1000-WD	3000-1800K	97	81	745-862	14.5	51-59
WD-2	1000-WD	2800-2200K	97	77	741-849	14.5	51-59
TW	1000-TW	4700-2200K	95	79	794-1034	14	57-74

Performance summary for HI LED with 15°, 25°, and 40° optic options and HI-2 LED with 10° optic option, and HI-3 LED with 10°, 15°, 25°, and 40° optic options.

Performance summary for WD LED at 3000K and WD-2 LED at 2800K with 15°, 25°, and 40° optic options.

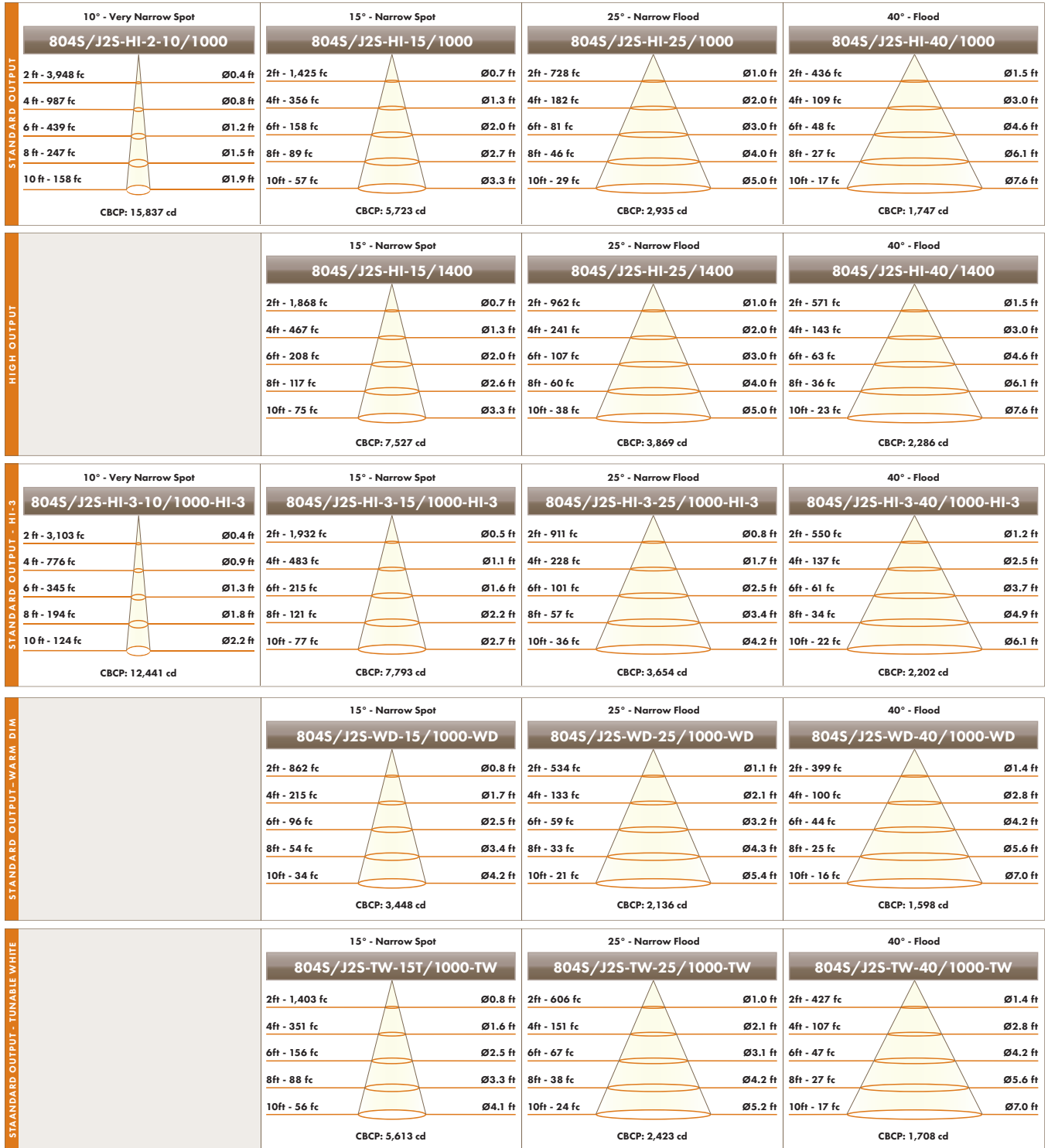
Performance summary for TW LED at 3000K with 15°, 25°, and 40° optic options.

804S/J2S w/ 2.75" APERTURE TRIM - OPTICAL OPTIONS AND ACCESSORY PERFORMANCE SUMMARY

OPTIC OPTIONS	LED OPTIONS	BEAM ENHANCING LENS (OPTIONAL)*				
		+ NSP	+ NFL	+ FL	+ WFL	+ LS
10° Very Narrow Spot	HI-2	14°	24°	43°	47°	13° x 39°
10° Very Narrow Spot	HI-3	14°	24°	48°	58°	14° x 51°
15° Narrow Spot	HI	21°	31°	54°	67°	22° x 48°
15° Narrow Spot	HI-3	17°	27°	51°	62°	17° x 51°
15° Narrow Spot	WD/WD-2	24°	33°	54°	66°	26° x 48°
15° Narrow Spot	TW	23°	30°	48°	54°	27° x 34°
25° Narrow Flood	HI	29°	37°	57°	71°	30° x 55°
25° Narrow Flood	HI-3	24°	32°	55°	65°	25° x 60°
25° Narrow Flood	WD/WD-2	31°	38°	58°	70°	70° x 71°
25° Narrow Flood	TW	30°	37°	57°	69°	31° x 53°
40° Flood	HI	42°	45°	46°	80°	41° x 63°
40° Flood	HI-3	34°	35°	62°	71°	34° x 65°
40° Flood	WD/WD-2	39°	44°	64°	77°	76° x 77°
40° Flood	TW	38°	43°	63°	76°	37° x 61°

*Beam enhancing lens used in combination with 10°, 15°, 25°, or 40° optic to achieve desired beam spread.

804S/J2S w/ FS/FLS/INS-LG/NL 2.75" APERTURE TRIM - CONE OF LIGHT DIAGRAMS



Performance shown for 3000K. Output varies by CCT.