

# MPT2-RT MONOPOINT LED - REMOTE DRIVER SURFACE MOUNT 2-1/2" or 4" CANOPY



526 Portal Street  
Cotati, CA 94931  
USA  
P 707.794.0888  
www.8lighting.com



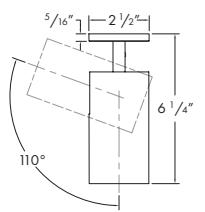


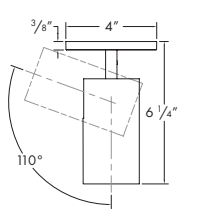


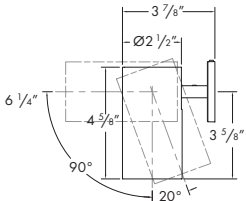


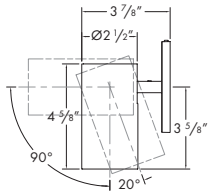
All No. 8 Lighting fixtures and components are UL Listed to both U.S. and Canadian requirements. No. 8 Lighting trims and lamp modules are protected by one or more U.S. Patents. No. 8 Lighting reserves the right to change details of design, materials, and finish.

© 2023 No. 8 Lighting  
Doc # 91202-13.3



Project Name	
Date	Type
Prepared By	
Comments	
Catalog # <b>MPT2-RT-</b> - - - / - / -	

## PRODUCT FEATURES

	<b>MPT2-RT-2S</b>	<b>MPT2-RT-2R</b>		<b>MPT2-RT-4S</b>	<b>MPT2-RT-4R</b>	
CEILING MOUNT						
WALL MOUNT						
	<b>MPT2-RT-2</b> – 2-1/2" CONOPY (Shown with standard stem option - See Page 4 for additional details)			<b>MPT2-RT-4</b> – 4" CONOPY (Shown with standard stem option - See Page 4 for additional details)		

## MPT2-RT SERIES SPECIFICATION SUMMARY

	Static White Standard Output				Static White High Output		Warm Dimming	
	HI-2-27	HI-2	HI-27	HI	HI-27	HI	WD	WD-2
LED Option	1037	1115	1016	1092	1326	1426	927	904
Delivered Lumens	1037	1115	1016	1092	1326	1426	927	904
System Wattage	14.5	14.5	14	14	20	20	15	15
Efficacy	72	77	73	78	67	72	63	62
CRI	94	94	94	94	93	93	97	97
R9	63	63	59	59	58	58	81	78
CCT	2700K	3000K	2700K	3000K	2700K	3000K	3000-1800K	2800-2200K
Optic Options	10		15, 25, 40				15, 25, 40	
Color Consistency	2-Step						3-Step	
Optical Accessories	Hex Louver, Narrow, Medium, Wide, Extra Wide, Linear Spread, and 2400K, 2700K, 3500K Color Filters							
Adjustability	110° Tilt, 320° Rotation, Lockable							
Dimming Options	REMOTE: <1% Forward/Reverse Phase (120v), 0.1/1% 0-10v (120-277v), 0.1/1% DALI (120-277v), 1% EcoSystem (120 or 277v)							
Canopy Options	Round/Square: 2-1/2" or 4"							
Finish Options	White, Satin Aluminum, Oil-Rubbed Bronze, Black							
Mounting Options	Ceiling/Wall Mount: 6, 12, 18, 24 Stem Options							
Junction Box	Direct to Mounting Surface (no Junction Box required)							

Warm Dimming data shown for 3000K and 2800K.  
See Performance Summaries for additional information.

PRODUCT SPECIFIER/PRODUCT ORDER NUMBER

**MPT2-RT-**

MONOPOINT  
SURFACE MOUNT

LED OPTIONS

STEM OPTIONS\*

FINISH

OPTIC OPTIONS

OPTICAL ACCESSORIES  
(Optional)

**MPT2-RT-2S**

2-1/2" SQUARE Canopy for  
REMOTE driver



**MPT2-RT-2R**

2-1/2" ROUND Canopy for  
REMOTE driver



**MPT2-RT-4S**

4" SQUARE Canopy for REMOTE  
driver



**MPT2-RT-4R**

4" ROUND Canopy for REMOTE  
driver



**HI-27**

2700K White LED

**HI**

3000K White LED

**HI-2-27\***

2700K White LED

**HI-2\***

3000K White LED

**WD†**

3000-1800K Warm Dim  
LED

**WD-2†**

2800-2200K Warm Dim  
LED

\*For use with 10° optic  
only. Available in standard  
output only.

†Available in standard output  
only.

**6**

(standard)

**12**

**18**

**24†**

\*See page 4 for additional  
details.

†Not for use in wall mount  
applications.



**WH**  
WHITE



**SA**  
SATIN ALUMINUM



**OB**  
OIL-RUBBED BRONZE



**BK**  
BLACK

**10\***

10°  
Very Narrow Spot

**15**

15°  
Narrow Spot

**25**

25°  
Narrow Flood

**40**

40°  
Flood

\*For use with HI-2 LED  
only.

**HEX**

Hex-Cell Louver

**NSP**

Narrow Softening Lens

**NFL**

Medium Softening Lens

**FL**

Wide Softening Lens

**WFL**

Extra Wide Softening Lens

**LS**

Linear Spread Lens

**CF24\***

2400K Color Filtering Lens

**CF27\***

2700K Color Filtering Lens

**CF35\***

3500K Color Filtering Lens

\*For use with HI and HI-2  
3000K LED options only.

DIMMING OPTIONS

OUTPUT

**PR1-M-RT**

REMOTE Forward or Reverse-Phase <1% Dimming

**EL1-M-RT**

REMOTE EdoLED 0-10v 1% Dimming

**EL1-01-M-RT**

REMOTE EdoLED 0-10v 0.1% Dimming

**EL2-M-RT**

REMOTE EdoLED DALI 1% Dimming

**EL2-01-M-RT**

REMOTE EdoLED DALI 0.1% Dimming

**LU2-M-RT**

REMOTE Lutron Hi-Lume LDE1 1% EcoSystem Dimming

**1000**

Standard output

**1000-WD**

Standard output – Warm Dimming

**1400\***

High output

\*Not available w/ LU2-M dim-  
ming option.

Maximum REMOTE Driver-to-LED Light Engine Wire Length

Driver Model				Wire Gauge
PR1/EL1/EL1-01/EL2/EL2-01-M	LU2-M	LU2-M		
RT-1000/1000-WD/1400	RT-1000-WD	RT-1000		
8 ft (2.5 m)		4 ft (1.2 m)		24 AWG (0.2 mm <sup>2</sup> )
13 ft (4 m)		6 ft (1.8 m)		22 AWG (0.34 mm <sup>2</sup> )
20 ft (6 m)		10 ft (3 m)		20 AWG (0.5 mm <sup>2</sup> )
30 ft (9 m)		15 ft (4.5 m)		18 AWG (.75 mm <sup>2</sup> )
35 ft (10.5 m)		25 ft (7.5 m)		16 AWG (1.5 mm <sup>2</sup> )
50 ft (15 m)		40 ft (12 m)		14 AWG (2.5 mm <sup>2</sup> )
100 ft (30 m)		60 ft (18 m)		12 AWG (4.0 mm <sup>2</sup> )
<b>Wire Type: Stranded Class 2 wire (supplied by others)</b>				

**MOUNTING NOTE:**

Models with 2-1/2" Canopy install directly to mounting surface and do not install to a junction box or mud ring. Models with 4" Canopy can be installed directly to mounting surface or to a junction box with 3" mud-ring. For installation without a junction box (2-1/2" or 4" Canopy Models), provide suitable blocking to support the installation and allow sufficient space at behind canopy for low voltage connections. See Page 4 for additional details.

**Features**

**MPT2-RT** Surface mount with 2-1/2" or 4" SQUARE or ROUND canopy for use with REMOTE mounted LED driver. Rotates 320° and tilts 110°. Use for adjustable accent, wall wash, and general lighting applications. Multiple lengths available - see Page 4 for additional details. Features integrated snoot with 1/2" beveled regress for glare control.

**Installation Notes**

Ceiling or wall mountable. For low and standard output options, ambient temperatures adjacent to fixture should not exceed 40°C (104°F). For high output options, ambient temperatures adjacent to fixture should not exceed 25°C (77°F). For all output options, ambient temperatures adjacent to remote mounted drivers should not exceed 25°C (77°F). UL damp listed (covered ceiling/wall applications). Not for use in wet locations.

**LED Option and Accessory Notes**

To ensure fixture to fixture color consistency, use of the same LED option with adjacent fixtures is recommended. One field interchangeable optic option included standard. Up to three additional optical accessories can be accommodated.

**Finish Notes**

White finish is field paintable. Lot variation may occur with speciality finishes. Ordering ALL fixtures at the same time is recommended to minimize finish variation.

**Dimming and Output Option Notes**

0-10v dimming options are configured for linear control. DALI dimming options are configured for logarithmic control. No.8 Lighting conducts extensive testing to establish compatibility with many dimmer types. For a complete list of compatible dimmers, see [8lighting.com/resources-downloads](http://8lighting.com/resources-downloads). Outputs vary depending on LED type, trim type, and optical accessories used. For photometric files in PDF and IES formats, see [8lighting.com/mpt2-series](http://8lighting.com/mpt2-series).

**Warranty**

All No. 8 Lighting products are covered by a 5 year limited warranty. For specific warranty details and limitations, see [8lighting.com/resources-downloads](http://8lighting.com/resources-downloads).

JAB-2022 CA Title 24 Compliant.

## MPT2-RT SERIES - PERFORMANCE SUMMARY

LED	OUTPUT	CCT	CRI	R9	Delivered Lumens	System Wattage	Delivered LPW
HI-27	1000	2700K	94	59	885-1016	14	63-73
HI	1000	3000K	94	59	952-1092	14	68-78
HI-27	1400	2700K	93	58	1180-1326	20	60-67
HI	1400	3000K	93	58	1269-1426	20	64-72
HI-2-27	1000	2700K	94	63	1037	14.5	72
HI-2	1000	3000K	94	63	1115	14.5	77
WD	1000-WD	3000-1800K	97	81	817-927	15	56-63
WD-2	1000-WD	2800-2200K	97	78	799-904	15	55-62

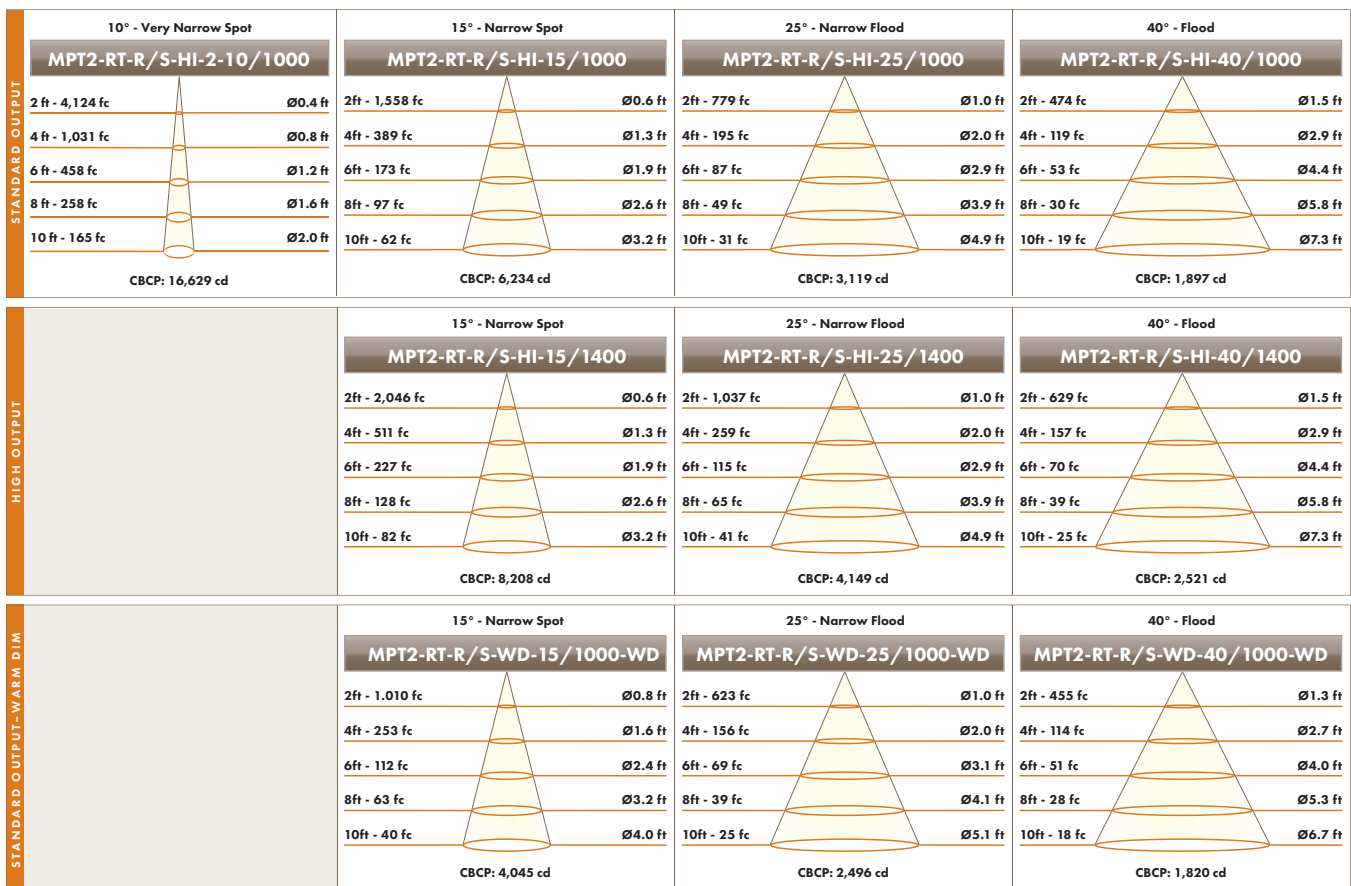
Performance summary for HI LED with 15°, 25°, and 40° optic options and HI-2 LED with 10° optic option.  
 Performance summary for WD LED at 3000K and WD-2 LED at 2800K with 15°, 25°, and 40° optic options.

## MPT2-RT SERIES - OPTICAL OPTIONS AND ACCESSORY PERFORMANCE SUMMARY

OPTIC OPTIONS	LED OPTION	BEAM ENHANCING LENS (OPTIONAL)*					
		+ HEX	+ NSP	+ NFL	+ FL	+ WFL	+ LS
10° Very Narrow Spot	HI-2	10°	14°	24°	43°	47°	13° x 29°
15° Narrow Spot	HI	16°	21°	31°	51°	63°	23° x 34°
15° Narrow Spot	WD/WD-2	20°	24°	54°	54°	70°	26° x 37°
25° Narrow Flood	HI	22°	29°	36°	55°	70°	30° x 45°
25° Narrow Flood	WD/WD-2	23°	30°	37°	58°	74°	31° x 48°
40° Flood	HI	30°	40°	45°	64°	83°	41° x 58°
40° Flood	WD/WD-2	28°	38°	42°	64°	82°	39° x 54°

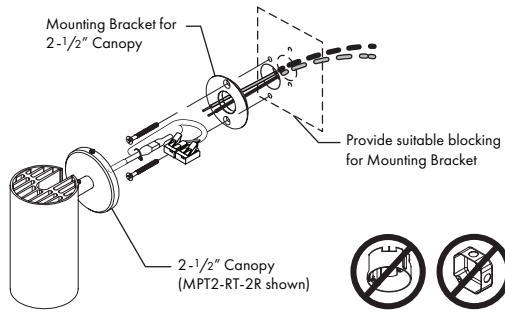
\*Beam enhancing lens used in combination with 10°, 15°, 25°, or 40° optic to achieve desired beam spread.

## MPT2-RT SERIES - CONE OF LIGHT DIAGRAMS

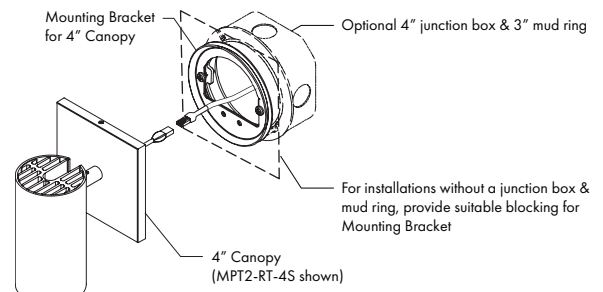


Performance shown for 3000K. Output varies by CCT.

**MPT2-RT SERIES 2-1/2" and 4" CANOPY - MOUNTING DETAILS**

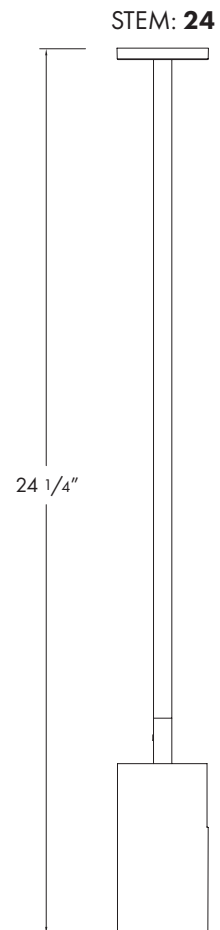
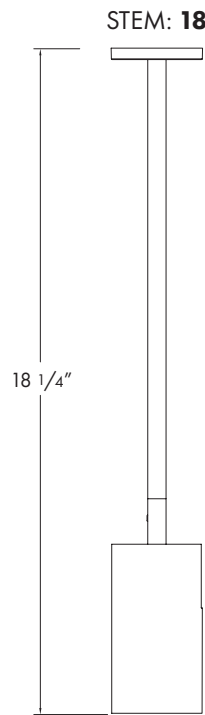
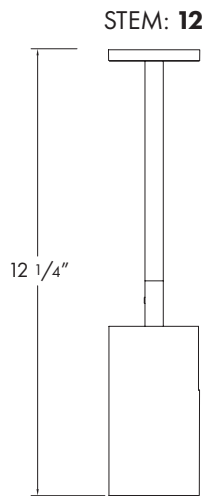
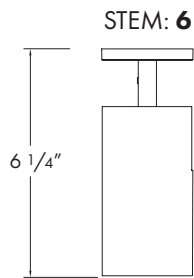


**MPT2-RT-2** - 2-1/2" CANOPY



**MPT2-RT-4** - 4" CANOPY

**MPT2-RT SERIES CEILING MOUNTED - 6, 12, 18, and 24 STEM OPTIONS**



**MPT2-RT SERIES WALL MOUNTED - 6, 12, and 18 STEM OPTIONS**

