

HOUSING: **805** – SUPER SHALLOW
LAMP MODULE: **K5** – FIXED POSITION | LED

Project Name	
Date	Type
Prepared By	
Comments	
Catalog # 805/K5 – – – / – /	



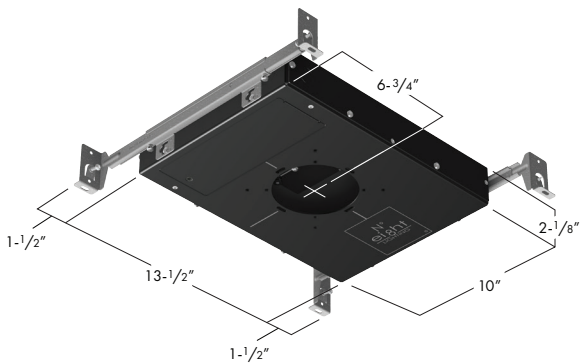
526 Portal Street
Cotati, CA 94931
USA
P 707.794.0888
www.8lighting.com

All No. 8 Lighting fixtures and components are UL Listed to both U.S. and Canadian requirements. Select 804S Series fixtures and components are also CE Certified. No. 8 Lighting trims and lamp modules are protected by one or more U.S. Patents. No. 8 Lighting reserves the right to change details of design, materials, and finish.

© 2023 No. 8 Lighting
Doc # 91175-13.0



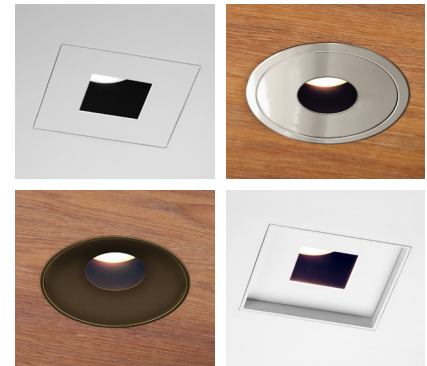

PRODUCT FEATURES



805 - SUPER SHALLOW HOUSING
(Shown with BH mounting accessory)



K5 - LED FIXED POSITION



800 SERIES TRIMS
(Specified separately)

805/K5 SPECIFICATION SUMMARY

	Static White Standard Output				Static White High Output		Warm Dimming	
	HI-2-27	HI-2	HI-27	HI	HI-27	HI	WD	WD-2
LED Option	992	1082	1054	1134	1374	1483	944	944
Delivered Lumens	992	1082	1054	1134	1374	1483	944	944
System Wattage	15.0	15.0	14.5	14.5	20.5	20.5	15.0	15.0
Efficacy	66	72	73	78	67	72	63	63
CRI	95	95	95	94	94	94	97	97
R9	64	65	63	62	60	60	83	80
CCT	2700K	3000K	2700K	3000K	2700K	3000K	3000-1800K	2800-2200K
Optic Options	10			15, 25, 40			15, 25, 40	
Color Consistency	2-Step						3-Step	
Optical Accessories	Narrow, Medium, Wide, Extra Wide, Linear Spread, and 2400K, 2700K, 3500K Color Filters							
Adjustability	Fixed Position							
Dimming Options	<1% Forward/Reverse Phase (120v), 0.1/1% 0-10v (120-277v), 0.1/1% DALI (120-277v), 0.1% EcoSystem (120 or 277v)							
Trim Options	Round/Square Flat, Round/Square Bevel, Round/Square Inset							
Finish Options	White, Oil-Rubbed Bronze, Polished Nickel, Satin Nickel, Black							
Trim Mounting Options	Flanged, Flangeless Sheetrock, Flangeless Wood							
Trim Lens Options	UL Wet Listed and IP54 Rated - Clear, Soft Focus							
Housing Options	New Construction: Type IC-CP Rated CCEA Approved Air-Tight							

Data shown for K5 Lamp Module with FS/FLS/INS-LG/NL trim.
Warm Dimming data shown for 3000K and 2800K.
See Performance Summaries for additional information.
800 Series Trims specified separately.

PRODUCT SPECIFIER/PRODUCT ORDER NUMBER

805 / **K5** - - - - - / - - - - - /

HOUSING

LAMP MODULE

LED OPTIONS

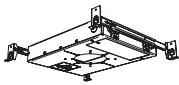
OPTIC OPTIONS

OPTICAL ACCESSORIES (Optional)

DIMMING OPTIONS

OUTPUT

MOUNTING ACCESSORIES

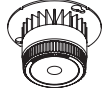


805
New Construction – Super Shallow AIRTIGHT-IC Rated

10"W* x 13-1/2"L* x 2-1/8"H†

*Add 3" to length or width to accommodate mounting accessories.

†Minimum 2-5/8" ceiling space required when used with INSET and BEVEL Series trim assemblies.



K5
LED FIXED POSITION

HI-27
2700K White LED

HI
3000K White LED

HI-2-27*
2700K White LED

HI-2*
3000K White LED

WD†
3000-1800K Warm Dim LED

WD-2†
2800-2200K Warm Dim LED

*For use with 10° optic only. Available in standard output only.

†Available in standard output only.

10*
10° Very Narrow Spot

15
15° Narrow Spot

25
25° Narrow Flood

40
40° Flood

*For use with HI-2 LED option only.

NSP
Narrow Softening Lens

NFL
Medium Softening Lens

FL
Wide Softening Lens

WFL
Extra Wide Softening Lens

LS
Linear Spread Lens

CF24*
2400K Color Filtering Lens

CF27*
2700K Color Filtering Lens

CF35*
3500K Color Filtering Lens

*For use with HI and HI-2 3000K LED options only.

PR1-8.5
Premium Forward or Reverse-Phase <1% Dimming

EL1-8.5*
EldoLED 0-10V 1% Dimming

EL1-01-8.5*
EldoLED 0-10v 0.1% Dimming

EL2-8.5*
EldoLED DALI 1% Dimming

EL2-01-8.5*
EldoLED DALI 0.1% Dimming

LU4-8.5*
Lutron Hi-Lume PEQOE 0.1% EcoSystem Dimming

*Available in standard output only.

1000
Standard output

1000-WD
Standard output – Warm Dimming

1400*
High output
*Not available w/ EL1, EL1-01, EL2, EL2-01 or LU4 dimming options.

BH
Bar Hangers for joist mounting

BB
Butterfly Brackets for c-channel or bar mounting

TBC-BH
T-Bar Mounting Clips + Bar Hangers for T-Bar mounting

PMB
Panel Mounting Brackets (set of two) for direct mounting to wood panels

Housing and Installation Notes

805 Super shallow universal IC Rated housing available with two output options. Meets Washington State Airtight Standard WAC 51-11-0502 and in accordance with ASTM E283 to reduce energy loss. CCEA plenum rated for City of Chicago environmental air spaces. Standard and high output options are IC-Rated for direct contact with standard or spray-foam thermal insulation with a max combined R-Value of R42. For standard output models, ambient temperatures in ceiling space should not exceed 40°C (104°F) during normal operation. For high output models, ambient temperatures should not exceed 25°C (77°F). Accepts **K5**, and **W5** LED Lamp Modules and all **800 Series** Trim Assemblies. For 800 Series Trims (specified separately), see 8lighting.com/products-800-series-led.

Lamp Module, LED, Optic Option, and Accessory Notes

K5 Fixed position lamp module for general lighting applications. To ensure fixture to fixture color consistency, use of the same LED option with adjacent fixtures is recommended. One field interchangeable optic option included standard. Up to two additional optical accessories can be accommodated.

Dimming and Output Option Notes

0-10v dimming options are configured for linear control. DALI dimming options are configured for logarithmic control. No.8 Lighting conducts extensive testing to establish compatibility with many dimmer types. For a complete list of compatible dimmers, see 8lighting.com/resources-downloads. Outputs vary depending on LED type, trim type, and optical accessories used. For photometric files in PDF and IES formats, see 8lighting.com/800-series-photometry.

Warranty

All No. 8 Lighting products are covered by a 5 year limited warranty. Products installed in residential steam applications are covered by a 2 year limited warranty. For specific warranty details and limitations, see 8lighting.com/resources-downloads.

JA8-2022 CA Title 24 Compliant

805/K5 w/ FS/FLS/INS 1.75" APERTURE TRIM - PERFORMANCE SUMMARY

LED	OUTPUT	CCT	CRI	R9	Delivered Lumens	System Wattage	Delivered LPW
HI-27	1000	2700K	95	63	886-1007	14.5	61-69
HI	1000	3000K	94	63	947-1089	14.5	65-75
HI-27	1400	2700K	94	60	1151-1314	20.5	56-64
HI	1400	3000K	94	60	1229-1423	20.5	60-69
HI-2-27	1000	2700K	95	63	965	15.0	64
HI-2	1000	3000K	94	63	1061	15.0	71
WD	1000-WD	3000-1800K	97	83	783-894	15.0	52-60
WD-2	1000-WD	2800-2200K	97	78	800-908	15.0	53-61

Performance summary for HI LED with 15°, 25°, and 40° optic options and HI-2 LED with 10° optic option.
 Performance summary for WD LED at 3000K and WD-2 LED at 2800K with 15°, 25°, and 40° optic options.

805/K5 w/ FR/FLR/INR 1.75" APERTURE TRIM - PERFORMANCE SUMMARY

LED	OUTPUT	CCT	CRI	R9	Delivered Lumens	System Wattage	Delivered LPW
HI-27	1000	2700K	95	63	880-1012	14.5	61-70
HI	1000	3000K	94	62	935-1066	14.5	65-74
HI-27	1400	2700K	94	60	1138-1312	20.5	56-64
HI	1400	3000K	94	60	1222-1421	20.5	60-69
HI-2-27	1000	2700K	95	63	977	15.0	65
HI-2	1000	3000K	95	65	1058	15.0	71
WD	1000-WD	3000-1800K	97	83	763-886	15.0	51-59
WD-2	1000-WD	2800-2200K	97	79	798-916	15.0	53-61

Performance summary for HI LED with 15°, 25°, and 40° optic options and HI-2 LED with 10° optic option.
 Performance summary for WD LED at 3000K and WD-2 LED at 2800K with 15°, 25°, and 40° optic options.

805/K5 w/ 1.75" APERTURE TRIM - OPTICAL OPTIONS AND ACCESSORY PERFORMANCE SUMMARY

OPTIC OPTIONS	LED OPTIONS	BEAM ENHANCING LENS (OPTIONAL)*				
		+ NSP	+ NFL	+ FL	+ WFL	+ LS
10° Very Narrow Spot	HI-2	14°	25°	48°	58°	14° x 34°
15° Narrow Spot	HI	21°	31°	55°	66°	23° x 47°
15° Narrow Spot	WD/WD-2	25°	32°	45°	65°	25° x 47°
25° Narrow Flood	HI	31°	37°	58°	70°	31° x 57°
25° Narrow Flood	WD/WD-2	30°	36°	57°	67°	30° x 59°
40° Flood	HI	42°	46°	67°	77°	48° x 55°
40° Flood	WD/WD-2	38°	43°	62°	71°	39° x 58°

*Beam enhancing lens used in combination with 10°, 15°, 25°, or 40° optic to achieve desired beam spread.

805/K5 w/ FS/FLS/INS 1.75" APERTURE TRIM - CONE OF LIGHT DIAGRAMS

STANDARD OUTPUT	<p>10° - Very Narrow Spot</p> <p>805/K5-HI-2-10/1000</p> <p>2ft - 3,982 fc Ø0.4 ft</p> <p>4ft - 996 fc Ø0.8 ft</p> <p>6ft - 442 fc Ø1.2 ft</p> <p>8ft - 249 fc Ø1.5 ft</p> <p>10ft - 159 fc Ø1.9 ft</p> <p>CBCP: 15,979 cd</p>	<p>15° - Narrow Spot</p> <p>805/K5-HI-15/1000</p> <p>2ft - 1,487 fc Ø0.7 ft</p> <p>4ft - 372 fc Ø1.3 ft</p> <p>6ft - 165 fc Ø2.0 ft</p> <p>8ft - 93 fc Ø2.7 ft</p> <p>10ft - 59 fc Ø3.4 ft</p> <p>CBCP: 5,953 cd</p>	<p>25° - Narrow Flood</p> <p>805/K5-HI-25/1000</p> <p>2ft - 722 fc Ø1.1 ft</p> <p>4ft - 181 fc Ø2.1 ft</p> <p>6ft - 80 fc Ø3.2 ft</p> <p>8ft - 45 fc Ø4.3 ft</p> <p>10ft - 29 fc Ø5.3 ft</p> <p>CBCP: 2,889 cd</p>	<p>40° - Flood</p> <p>805/K5-HI-40/1000</p> <p>2ft - 448 fc Ø1.5 ft</p> <p>4ft - 112 fc Ø3.1 ft</p> <p>6ft - 50 fc Ø4.6 ft</p> <p>8ft - 28 fc Ø6.1 ft</p> <p>10ft - 18 fc Ø7.6 ft</p> <p>CBCP: 1,791 cd</p>		
	HI-300GH OUTPUT	<p>15° - Narrow Spot</p> <p>805/K5-HI-15/1400</p> <p>2ft - 1,978 fc Ø0.7 ft</p> <p>4ft - 494 fc Ø1.3 ft</p> <p>6ft - 220 fc Ø2.0 ft</p> <p>8ft - 124 fc Ø2.7 ft</p> <p>10ft - 79 fc Ø3.4 ft</p> <p>CBCP: 7,922 cd</p>	<p>25° - Narrow Flood</p> <p>805/K5-HI-25/1400</p> <p>2ft - 944 fc Ø1.1 ft</p> <p>4ft - 236 fc Ø2.1 ft</p> <p>6ft - 105 fc Ø3.2 ft</p> <p>8ft - 59 fc Ø4.3 ft</p> <p>10ft - 38 fc Ø5.3 ft</p> <p>CBCP: 3,778 cd</p>	<p>40° - Flood</p> <p>805/K5-HI-40/1400</p> <p>2ft - 583 fc Ø1.5 ft</p> <p>4ft - 146 fc Ø3.1 ft</p> <p>6ft - 65 fc Ø4.6 ft</p> <p>8ft - 36 fc Ø6.1 ft</p> <p>10ft - 23 fc Ø7.7 ft</p> <p>CBCP: 2,332 cd</p>		
		STANDARD OUTPUT - WARM DIM	<p>15° - Narrow Spot</p> <p>805/K5-WD-15/1000-WD</p> <p>2ft - 987 fc Ø0.8 ft</p> <p>4ft - 247 fc Ø1.6 ft</p> <p>6ft - 110 fc Ø2.5 ft</p> <p>8ft - 62 fc Ø3.3 ft</p> <p>10ft - 39 fc Ø4.1 ft</p> <p>CBCP: 3,955 cd</p>	<p>25° - Narrow Flood</p> <p>805/K5-WD-25/1000-WD</p> <p>2ft - 608 fc Ø1.1 ft</p> <p>4ft - 152 fc Ø2.1 ft</p> <p>6ft - 68 fc Ø3.2 ft</p> <p>8ft - 38 fc Ø4.2 ft</p> <p>10ft - 24 fc Ø5.3 ft</p> <p>CBCP: 2,434 cd</p>	<p>40° - Flood</p> <p>805/K5-WD-40/1000-WD</p> <p>2ft - 459 fc Ø1.4 ft</p> <p>4ft - 115 fc Ø2.7 ft</p> <p>6ft - 51 fc Ø4.1 ft</p> <p>8ft - 29 fc Ø5.4 ft</p> <p>10ft - 18 fc Ø6.8 ft</p> <p>CBCP: 1,837 cd</p>	

Performance shown for 3000K. Output varies by CCT.

805/K5 w/ FS/FLS/INS-LG/NL 2.75" APERTURE TRIM - PERFORMANCE SUMMARY

LED	OUTPUT	CCT	CRI	R9	Delivered Lumens	System Wattage	Delivered LPW
HI-27	1000	2700K	95	63	949-1054	14.5	65-73
HI	1000	3000K	94	62	1019-1134	14.5	70-78
HI-27	1400	2700K	94	60	1234-1374	20.5	60-67
HI	1400	3000K	94	60	1325-1483	20.5	65-72
HI-2-27	1000	2700K	95	64	992	15.0	66
HI-2	1000	3000K	95	65	1082	15.0	72
WD	1000-WD	3000-1800K	97	83	859-944	15.0	57-63
WD-2	1000-WD	2800-2200K	97	80	877-944	15.0	59-63

Performance summary for HI LED with 15°, 25°, and 40° optic options and HI-2 LED with 10° optic option.
Performance summary for WD LED at 3000K and WD-2 LED at 2800K with 15°, 25°, and 40° optic options.

805/K5 w/ FR/FLR/INR-LG/NL 2.75" APERTURE TRIM - PERFORMANCE SUMMARY

LED	OUTPUT	CCT	CRI	R9	Delivered Lumens	System Wattage	Delivered LPW
HI-27	1000	2700K	95	63	954-1054	14.5	66-73
HI	1000	3000K	94	63	1015-1140	14.5	70-79
HI-27	1400	2700K	94	61	1228-1379	20.5	60-67
HI	1400	3000K	94	60	1325-1481	20.5	65-72
HI-2-27	1000	2700K	95	63	983	15.0	66
HI-2	1000	3000K	95	65	1077	15.0	72
WD	1000-WD	3000-1800K	97	83	850-946	15.0	56-63
WD-2	1000-WD	2800-2200K	97	79	888-975	15.0	59-65

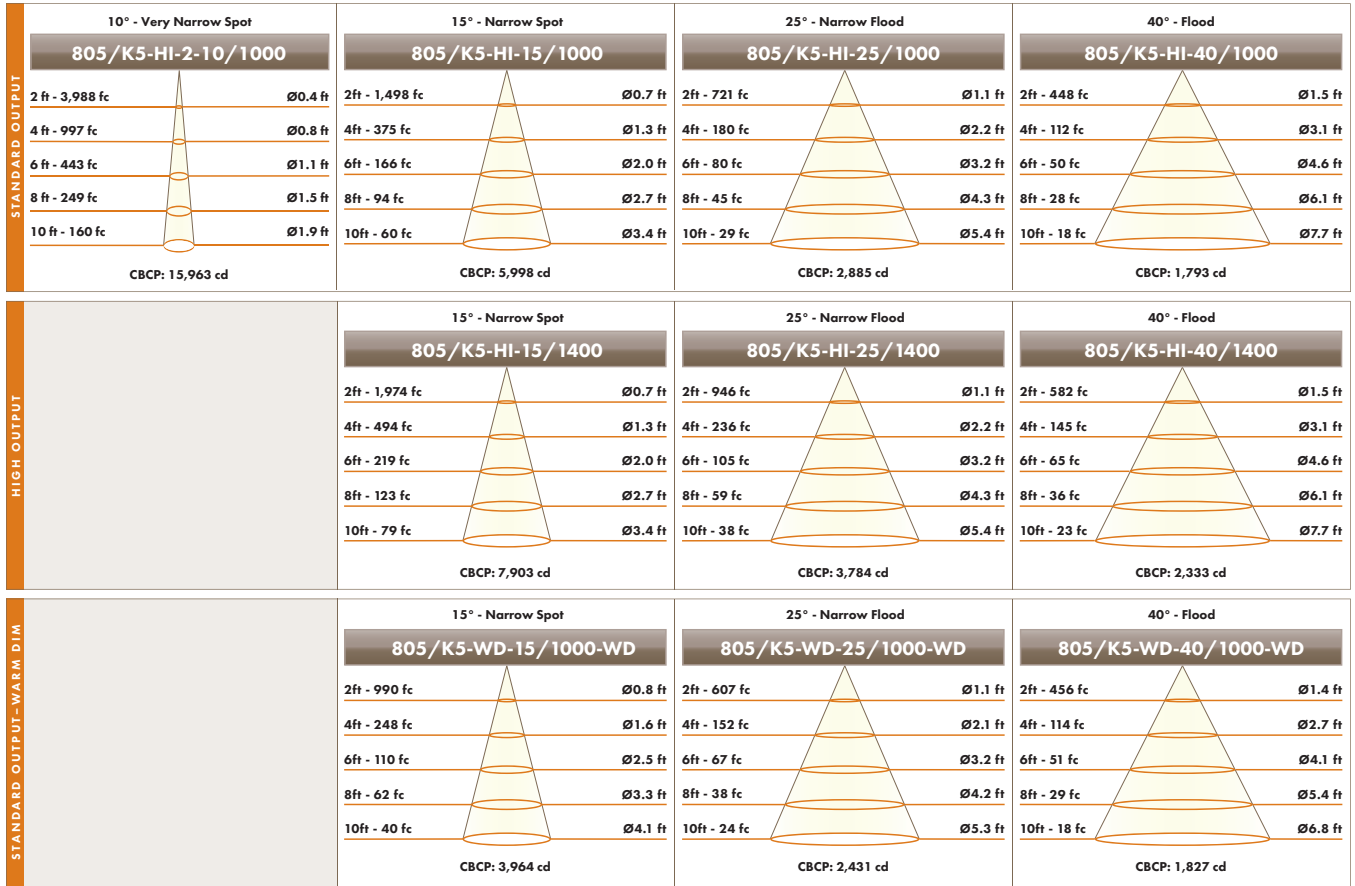
Performance summary for HI LED with 15°, 25°, and 40° optic options and HI-2 LED with 10° optic option.
Performance summary for WD LED at 3000K and WD-2 LED at 2800K with 15°, 25°, and 40° optic options.

805/K5 w/ 2.75" APERTURE TRIM - OPTICAL OPTIONS AND ACCESSORY PERFORMANCE SUMMARY

OPTIC OPTIONS	LED OPTIONS	BEAM ENHANCING LENS (OPTIONAL)*				
		+ NSP	+ NFL	+ FL	+ WFL	+ LS
10° Very Narrow Spot	HI-2	14°	25°	49°	62°	14° x 35°
15° Narrow Spot	HI	21°	32°	57°	71°	23° x 47°
15° Narrow Spot	WD/WD-2	25°	33°	58°	71°	25° x 49°
25° Narrow Flood	HI	32°	38°	62°	77°	31° x 61°
25° Narrow Flood	WD/WD-2	31°	37°	62°	75°	30° x 65°
40° Flood	HI	43°	46°	70°	84°	48° x 56°
40° Flood	WD/WD-2	38°	43°	67°	80°	39° x 61°

*Beam enhancing lens used in combination with 10°, 15°, 25°, or 40° optic to achieve desired beam spread.

805/K5 w/ FS/FLS/INS-LG/NL 2.75" APERTURE TRIM - CONE OF LIGHT DIAGRAMS



Performance shown for 3000K. Output varies by CCT.