

**203-S-RM** REMODEL WALL WASH LED  
**FLS-2-WW** WALL WASH TRIM  
**NON-IC + AIRTIGHT RATED**



526 Portal Street  
Cotati, CA 94931  
USA  
P 707.794.0888  
www.8lighting.com

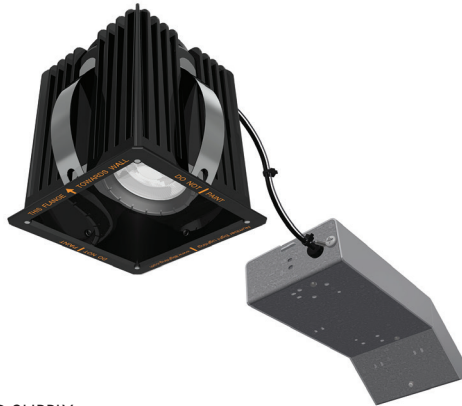
All No. 8 Lighting fixtures and components are UL Listed to both U.S. and Canadian requirements. No. 8 Lighting trims and lamp modules are protected by one or more U.S. Patents. No. 8 Lighting reserves the right to change details of design, materials, and finish.

© 2023 No. 8 Lighting  
Doc # 91412-13.1



Project Name	
Date	Type
Prepared By	
Comments	
Catalog # <b>203-S-RM</b> - - - / - / <b>FLS-2-WW</b> - -	

**PRODUCT FEATURES**



**203-S-RM**  
SQUARE WALL WASH  
LIGHT ENGINE + POWER SUPPLY



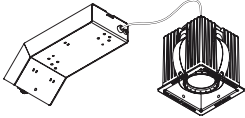
**200 SERIES TRIMS**  
FLANGED or FLANGELESS

**203-S-RM SPECIFICATION SUMMARY**

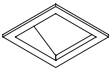
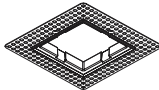
	Static White				Warm Dimming	
	HI-2700	HI-3000	HI-3500	HI-4000	WD	WD-2
LED Option	940	990	1028	1059	727	705
Delivered Lumens	14	14	14	14	15	15
System Wattage	67	71	74	76	48	47
Efficacy	92+	92+	92+	92+	97+	95+
CRI	61	60	61	58	80	74
R9	2700K	3000K	3500K	4000K	3000-1800K	2800-2200K
CCT	2-Step				3-Step	
Color Consistency	40, 60				N/A	
Optic Options	Fixed Position (20° Wall Wash)					
Optical Accessories	INTEGRAL: <1/5% Forward/Reverse Phase (120v), 0.1/1/5% 0-10v (120-277v), 0.1/1% DALI (120-277v), 0.1/1% EcoSystem (120 or 277v) REMOTE: <1% Forward/Reverse Phase (120v), 0.1/1% 0-10v (120-277v), 0.1/1% DALI (120-277v), 1% EcoSystem (120 or 277v)					
Dimming Options	Square Wall Wash					
Trim Options	White, Oil-Rubbed Bronze, Satin Aluminum, Satin Aluminum w/ White Flange					
Finish Options	Flanged, Flangeless Sheetrock					
Trim Mounting Options	UL Wet Listed					
Trim Lens Options	Remodel: Type Non-IC Air-Tight					
Mounting Options						

Performance data shown with FLS-2-WW Trim.  
Warm Dimming data shown for 3000K and 2800K.  
See Performance Summary for additional information.

# 203-S-RM

LIGHT ENGINE + POWER SUPPLY	REMOTE OPTION*	LED OPTIONS	OPTIC OPTIONS	DIMMING OPTIONS	REMOTE OPTION*
 <p><b>203-S-RM</b> Wall Wash REMODEL Light Engine with fixed 20° tilt + Power Supply for SQUARE WALL WASH trim AIRTIGHT and Type Non-IC Rated for installations where insulation can be held back 3" from sides and top.</p>	<p><b>RT</b> REMOTE Mounted Power Supply *Leave blank for integral dimming options.</p>	<p><b>HI-2700</b> 2700K 92+ CRI White <b>HI-3000</b> 3000K 92+ CRI White <b>HI-3500</b> 3500K 92+ CRI White <b>HI-4000</b> 4000K 92+ CRI White <b>WD</b> 3000-1800K 97+ CRI Warm Dim <b>WD-2</b> 2800-2200K 95+ CRI Warm Dim</p>	<p><b>40</b> Flood <b>60</b> Wide Flood</p>	<p><b>PR1-2-R</b> Premium Forward or Reverse-Phase &lt;1% Dimming <b>DIM3-2-R*</b> Forward or Reverse-Phase 5% Dimming <b>DIM4-2-R*</b> 0-0-10v 1% Dimming <b>EL1-2-R</b> EldoLED 0-10v 1% Dimming <b>EL1-01-2-R</b> EldoLED 0-10v 0.1% Dimming <b>EL2-2-R</b> EldoLED DALI 1% Dimming <b>EL2-01-2-R</b> EldoLED 0.1% DALI Dimming <b>LU2-2-R</b> Lutron Hi-Lume LDE1 EcoSystem 1% Dimming <b>LU4-2-R*</b> Lutron Hi-Lume PEQOE EcoSystem 0.1% Dimming *Not available with RT remote option.</p>	<p><b>RT*</b> REMOTE Mounted Power Supply *Leave blank for integral dimming options.</p>

# FLS-2-WW

TRIM	TRIM FINISH	TRIM MOUNTING ACCESSORIES (Optional)
 <p><b>FLS-2-WW*</b> 4-1/4" SQUARE WALL WASH with 2-3/4" angle-cut aperture and wall wash lens *UL Wet listed.</p>	<p><b>WH</b> WHITE <b>OB*</b> OIL-RUBBED BRONZE <b>SA*†</b> SATIN ALUMINUM <b>SAWH*†</b> SATIN ALUMINUM with WHITE flange *Specialty finish. †Not available with FLAT trim option.</p>	 <p><b>FS-2-RM</b> SQUARE FLANGELESS trim accessory for flush mounting FLS-2/FLS-2-BV trims in sheetrock ceiling applications in REMODEL installations</p>

Maximum REMOTE Driver-to-LED Light Engine Wire Length	
Driver Model	Wire Gauge
PR1/EL1/EL1-01/EL2/EL2-01/LU2-2-R-RT	
8 ft (2.5 m)	24 AWG (0.2 mm <sup>2</sup> )
13 ft (4 m)	22 AWG (0.34 mm <sup>2</sup> )
20 ft (6 m)	20 AWG (0.5 mm <sup>2</sup> )
30 ft (9 m)	18 AWG (.75 mm <sup>2</sup> )
35 ft (10.5 m)	16 AWG (1.5 mm <sup>2</sup> )
50 ft (15 m)	14 AWG (2.5 mm <sup>2</sup> )
100 ft (30 m)	12 AWG (4.0 mm <sup>2</sup> )
Wire Type: Stranded Class 2 wire (supplied by others)	

**Light Engine, LED, Optic Option, and Accessory Notes**

**203-S** Wall wash airtight REMODEL light engine with fixed 20° tilt for SQUARE WALL WASH trim. Use for wall wash lighting applications. Includes INTEGRAL power supply (standard) or RT REMOTE mounted power supply (optional). To ensure fixture to fixture color consistency, use of the same LED option with adjacent fixtures is recommended. One field interchangeable optic option included standard. Up to one additional optical accessory can be accommodated.

**Installation Notes**

Accommodates sheetrock/wood/stone (tile) ceilings with thicknesses ranging from 1/2" (min) - 1-1/2" (max). Requires 5-1/2" (min) ceiling space above finished ceiling. Type Non-IC rated for installations where insulation is held back a minimum of 3" away from sides and top. Meets Washington State Airtight Standard WAC 51-11-0502 and in accordance with ASTM E283 to reduce energy loss. Ambient temperatures in ceiling space should not exceed 40°C (104°F) during normal operation.

**Dimming and Output Option Notes**

0-10v dimming options are configured for linear control. DALI dimming options are configured for logarithmic control. No.8 Lighting conducts extensive testing to establish compatibility with many dimmer types. For a complete list of compatible dimmers, see [8lighting.com/resources-downloads](http://8lighting.com/resources-downloads).

Outputs vary depending on LED type, trim type, and optical accessories used. For photometric files in PDF and IES formats, see: [8lighting.com/200-series-photometry](http://8lighting.com/200-series-photometry).

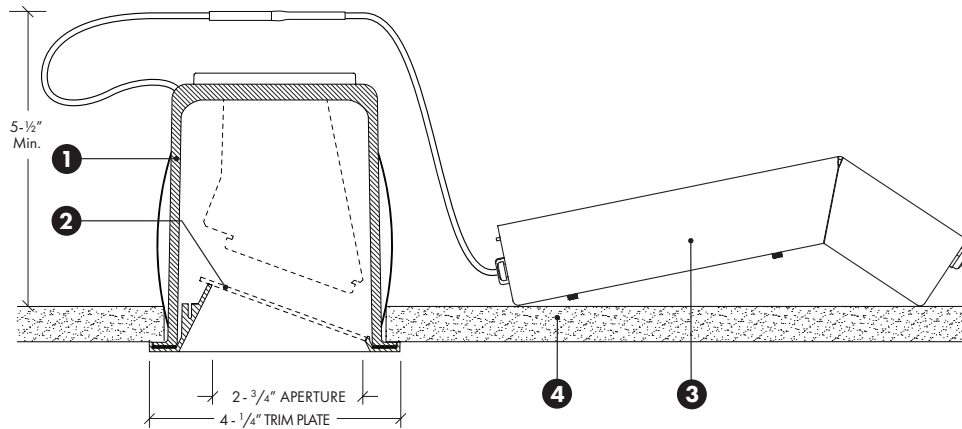
**Trim Finish and Accessory Notes**

White trim finish is field paintable to match ceiling color. Lot variations may occur with specialty finishes. Ordering ALL trim kits at the same time is recommended to minimize finish variations. Trim lens accessories are factory installed into trim plates and are UL WET LISTED and rated for use in DRY, DAMP, or WET locations (covered ceiling applications only). Approved for use in residential steam applications. Not for use in commercial steam applications.

**Warranty**

All No. 8 Lighting products are covered by a 5 year limited warranty. Products installed in residential steam applications are covered by a 2 year limited warranty. For specific warranty details and limitations, see: [8lighting.com/resources-downloads](http://8lighting.com/resources-downloads).

## 203-S-RM REMODEL LIGHT ENGINE + POWER SUPPLY with FLANGED TRIM



1) **203-S-RM** Wall Wash SQUARE Light Engine with fixed 20° tilt.

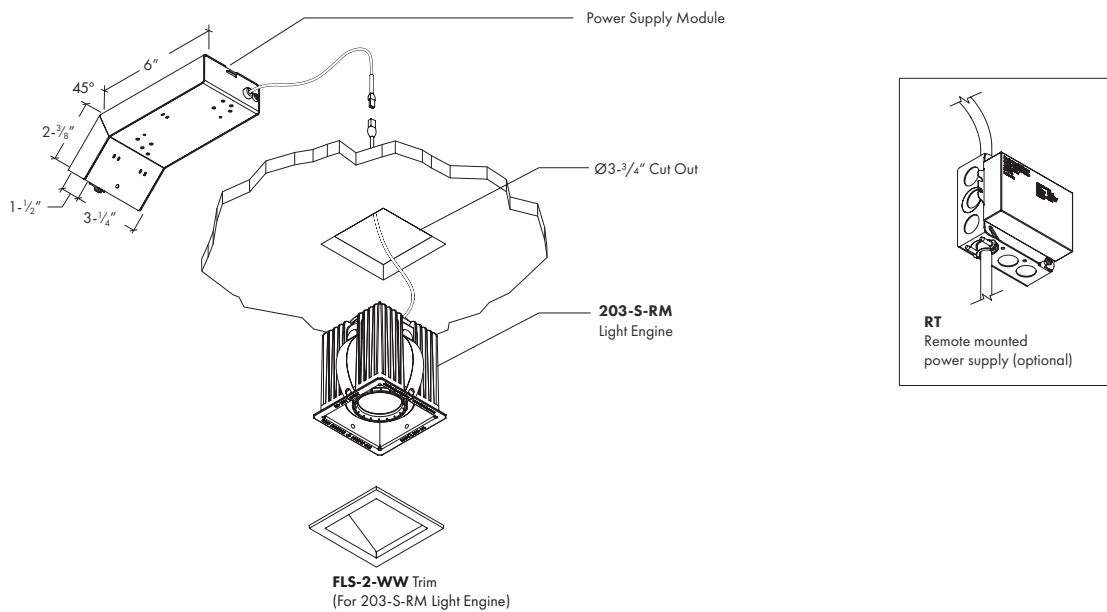
2) **FLS-2-WW** Flanged SQUARE WALL WASH Trim.

3) **Power Supply/Junction Box** (shown) Installs from below finished ceiling and is accessible after installation. Requires 5-1/2" (Min.) clearance above ceiling for installation.

**RT** Remote mounted LED driver/junction box (not shown) can be mounted up to 100ft from fixture using 12AWG Class 2 stranded wire. See wire length table on Page 2.

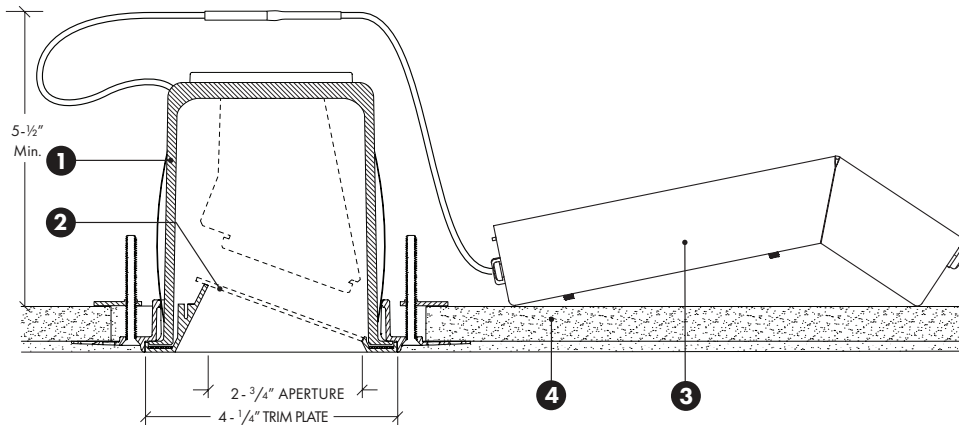
4) **Ceiling Material** (Sheetrock/Wood/Stone) Accommodates ceiling thicknesses from 1/2" (min) to 1-1/2" (max) without affecting aiming or rotation.

## 203-S-RM REMODEL LIGHT ENGINE + POWER SUPPLY with FLANGED TRIM INSTALLATION



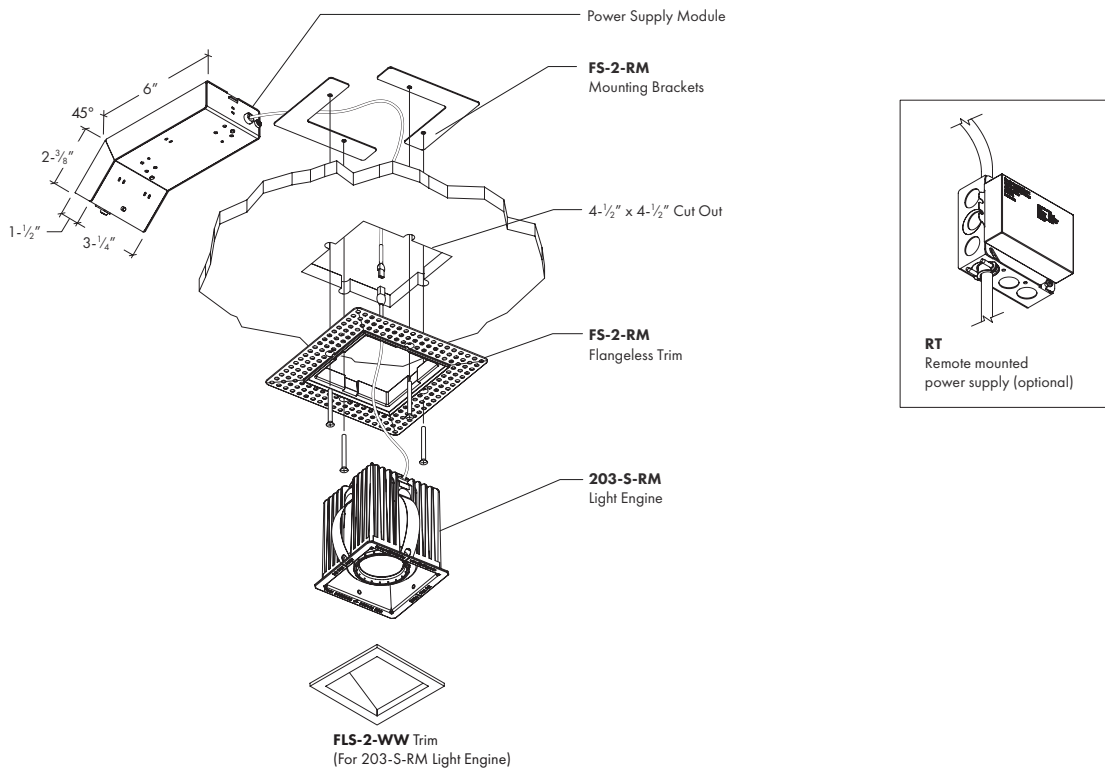
**CEILING TYPES:** Sheetrock, Wood & Stone | **CEILING THICKNESS:** 1/2" Min to 1-1/2" Max | **CUT-OUT:** 3-3/4" x 3-3/4"

**203-S-RM REMODEL LIGHT ENGINE + POWER SUPPLY with FS-2-RM FLANGELESS TRIM**



- 1) **203-S-RM** Wall Wash SQUARE Light Engine with fixed 20° tilt.
- 2) **FLS-2-WW** Flanged SQUARE WALL WASH trim + **FS-2-RM** SQUARE FLANGELESS trim accessory.
- 3) **Power Supply/Junction Box** (shown) Installs from below finished ceiling and is accessible after installation. Requires 5-1/2" (Min.) clearance above ceiling for installation. **RT** Remote mounted LED driver/junction box (not shown) can be mounted up to 100ft from fixture using 12AWG Class 2 stranded wire. See wire length table on Page 2.
- 4) **Ceiling Material** (Sheetrock) Accommodates ceiling thicknesses from 1/2" (min) to 1-1/2" (max) without affecting aiming or rotation.

**203-S-RM REMODEL LIGHT ENGINE + POWER SUPPLY with FS-2-RM FLANGELESS TRIM**



**CEILING TYPES:** Sheetrock | **CEILING THICKNESS:** 1/2" Min to 1-1/2" Max | **CUT-OUT:** 4-1/2" x 4-1/2"

**203-S-RM w/ FLS-2-WW TRIM - PERFORMANCE SUMMARY**

LED	CCT	CRI	R9	Delivered Lumens	System Wattage	Delivered LPW
HI-2700	2700K	92+	61	940	14	67
HI-3000	3000K	92+	60	990	14	71
HI-3500	3500K	92+	61	1028	14	74
HI-4000	4000K	92+	58	1059	14	76
WD	3000-1800K	97+	80	727	15	48
WD2	2800-2200K	95+	74	705	15	47









Performance shown for HI LED with 40° optic option.

Performance shown for WD LED at 3000K and WD-2 LED at 2800K with 40° optic option.









**LED OUTPUT MULTIPLIERS**

LED	HI-2700, HI-3000, HI-3500 & HI-4000 LED				WD & WD-2 LED	
	HI-2700	HI-3000	HI-3500	HI-4000	WD	WD-2
Multiplier	0.95	1.0	1.04	1.07	1.0	0.97

**203-S-RM-HI-3000-40 w/ FLS-2-WW TRIM – FOOTCANDLES ON WALL**

FIXTURE DISTANCE TO WALL		24"						30"					
FIXTURE CENTERS (SPACING)			24"			30"			30"			36"	
DISTANCE FROM CEILING	1'	7.9	9.2	7.9	7.1	7.8	7.1	2.1	2.2	2.1	1.8	2.1	1.8
	2'	51.4	57.6	51.4	45.7	48.6	45.7	22.9	25.8	22.9	20.8	22.4	20.8
	3'	50.3	56.2	50.3	45.0	50.1	45.0	35.7	40.0	35.7	32.5	35.7	32.5
	4'	33.7	37.1	33.7	30.7	34.4	30.7	30.1	33.6	30.1	27.6	30.9	27.6
	5'	21.2	22.8	21.2	19.6	21.6	19.6	21.6	23.7	21.6	20.0	22.4	20.0
	6'	13.4	14.2	13.4	12.6	13.7	12.6	14.9	16.1	14.9	14.0	15.4	14.0
	7'	8.8	9.2	8.8	8.4	8.9	8.4	10.3	10.9	10.3	9.7	10.6	9.7
	8'	6.0	6.2	6.0	5.7	6.1	5.7	7.2	7.6	7.2	6.9	7.4	6.9
	9'	4.2	4.3	4.2	4.1	4.2	4.1	5.2	5.4	5.2	5.0	5.3	5.0

**203-S-RM-WD-40 w/ FLS-2-WW TRIM – FOOTCANDLES ON WALL**

FIXTURE DISTANCE TO WALL		24"						30"					
FIXTURE CENTERS (SPACING)			24"			30"			30"			36"	
DISTANCE FROM CEILING	1'	5.8	6.8	5.8	5.2	5.8	5.2	1.5	1.6	1.5	1.3	1.5	1.3
	2'	34.8	39.1	34.8	31.0	33.2	31.0	15.6	17.5	15.6	14.2	15.2	14.2
	3'	34.2	38.2	34.2	30.7	34.2	30.7	24.2	27.1	24.2	22.0	24.3	22.0
	4'	23.4	25.6	23.4	21.3	23.8	21.3	20.5	22.9	20.5	18.8	21.2	18.8
	5'	14.9	16.0	14.9	13.8	15.3	13.8	14.9	16.4	14.9	13.9	15.5	13.9
	6'	9.6	10.2	9.6	9.1	9.8	9.1	10.5	11.3	10.5	9.8	10.8	9.8
	7'	6.4	6.7	6.4	6.1	6.5	6.1	7.3	7.8	7.3	6.9	7.5	6.9
	8'	4.4	4.5	4.4	4.2	4.4	4.2	5.2	5.5	5.2	5.0	5.3	5.0
	9'	3.1	3.2	3.1	3.0	3.1	3.0	3.8	3.9	3.8	3.6	3.9	3.6