

203-R-RM REMODEL WALL WASH LED
FLR-2-WW WALL WASH TRIM
NON-IC + AIRTIGHT RATED



eight
LIGHTING

526 Portal Street
 Cotati, CA 94931
 USA
 P 707.794.0888
 www.8lighting.com

All No. 8 Lighting fixtures and components are UL Listed to both U.S. and Canadian requirements. No. 8 Lighting trims and lamp modules are protected by one or more U.S. Patents. No. 8 Lighting reserves the right to change details of design, materials, and finish.

© 2023 No. 8 Lighting
 Doc # 91411-13.1

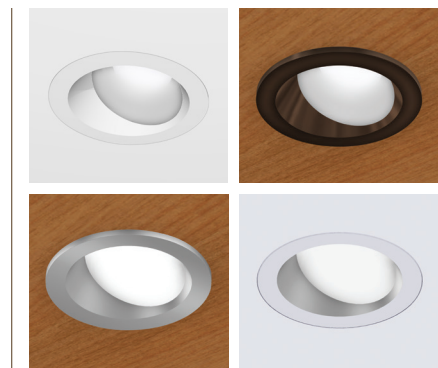


Project Name	
Date	Type
Prepared By	
Comments	
Catalog # 203-R-RM - - - / - / FLR-2-WW - -	

PRODUCT FEATURES



203-R-RM
 ROUND WALL WASH
 LIGHT ENGINE + POWER SUPPLY



200 SERIES TRIMS
 FLANGED or FLANGELESS

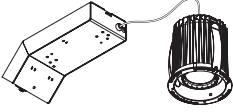
203-R-RM SPECIFICATION SUMMARY

	Static White				Warm Dimming	
	HI-2700	HI-3000	HI-3500	HI-4000	WD	WD-2
LED Option						
Delivered Lumens	939	988	1028	1057	714	693
System Wattage	14	14	14	14	15	15
Efficacy	67	71	73	76	48	46
CRI	92+	92+	92+	92+	97+	95+
R9	61	57	61	58	81	74
CCT	2700K	3000K	3500K	4000K	3000-1800K	2800-2200K
Color Consistency	2-Step				3-Step	
Optic Options	40, 60					
Optical Accessories	N/A					
Adjustability	Fixed Position (20° Wall Wash)					
Dimming Options	INTEGRAL: <1/5% Forward/Reverse Phase (120v), 0.1/1/5% 0-10v (120-277v), 0.1/1% DALI (120-277v), 0.1/1% EcoSystem (120 or 277v) REMOTE: <1% Forward/Reverse Phase (120v), 0.1/1% 0-10v (120-277v), 0.1/1% DALI (120-277v), 1% EcoSystem (120 or 277v)					
Trim Options	Round Wall Wash					
Finish Options	White, Oil-Rubbed Bronze, Satin Aluminum, Satin Aluminum w/ White Flange					
Trim Mounting Options	Flanged, Flangeless Sheetrock					
Trim Lens Options	UL Wet Listed					
Mounting Options	Remodel: Type Non-IC Air-Tight					


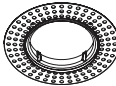
Performance data shown with FLR-2-WW Trim.
 Warm Dimming data shown for 3000K and 2800K.
 See Performance Summary for additional information.

PRODUCT SPECIFIER/PRODUCT ORDER NUMBER

203-R-RM

LIGHT ENGINE + POWER SUPPLY -	REMOTE OPTION*	LED OPTIONS	OPTIC OPTIONS /	DIMMING OPTIONS	REMOTE OPTION* /
 <p>203-R-RM Wall Wash REMODEL Light Engine with fixed 20° tilt + Power Supply for ROUND WALL WASH trim AIRTIGHT and Type Non-IC Rated for installations where insulation can be held back 3" from sides and top.</p>	<p>RT REMOTE Mounted Power Supply *Leave blank for integral dimming options.</p>	<p>HI-2700 2700K 92+ CRI White HI-3000 3000K 92+ CRI White HI-3500 3500K 92+ CRI White HI-4000 4000K 92+ CRI White WD 3000-1800K 97+ CRI Warm Dim WD-2 2800-2200K 95+ CRI Warm Dim</p>	<p>40 Flood 60 Wide Flood</p>	<p>PR1-2-R Premium Forward or Reverse-Phase <1% Dimming DIM3-2-R* Forward or Reverse-Phase 5% Dimming DIM4-2-R* 0-0-10v 1% Dimming EL1-2-R EldoLED 0-10v 1% Dimming EL1-01-2-R EldoLED 0-10v 0.1% Dimming EL2-2-R EldoLED DALI 1% Dimming EL2-01-2-R EldoLED 0.1% DALI Dimming LU2-2-R Lutron Hi-Lume LDE1 EcoSystem 1% Dimming LU4-2-R* Lutron Hi-Lume PEQOE EcoSystem 0.1% Dimming *Not available with RT remote option.</p>	<p>RT REMOTE Mounted Power Supply *Leave blank for integral dimming options.</p>

FLR-2-WW

TRIM	TRIM FINISH	TRIM MOUNTING ACCESSORIES (Optional)
 <p>FLR-2-WW* 4-1/4" ROUND WALL WASH trim with 2-3/4" angle-cut aperture and wall wash lens *UL Wet listed.</p>	<p>WH WHITE OB* OIL-RUBBED BRONZE SA*† SATIN ALUMINUM SAWH*† SATIN ALUMINUM with WHITE flange *Specialty finish. †Not available with FLAT trim option.</p>	 <p>FR-2-RM ROUND FLANGELESS trim accessory for flush mounting FLR-2-WW trim in sheetrock ceiling applications in REMODEL installations</p>

Maximum REMOTE Driver-to-LED Light Engine Wire Length	
Driver Model	Wire Gauge
PR1/EL1/EL1-01/EL2/EL2-01/LU2-2-R-RT	
8 ft (2.5 m)	24 AWG (0.2 mm ²)
13 ft (4 m)	22 AWG (0.34 mm ²)
20 ft (6 m)	20 AWG (0.5 mm ²)
30 ft (9 m)	18 AWG (.75 mm ²)
35 ft (10.5 m)	16 AWG (1.5 mm ²)
50 ft (15 m)	14 AWG (2.5 mm ²)
100 ft (30 m)	12 AWG (4.0 mm ²)
Wire Type: Stranded Class 2 wire (supplied by others)	

Light Engine, LED, Optic Option, and Accessory Notes
203-R Wall wash airtight REMODEL light engine with fixed 20° tilt for ROUND WALL WASH trim. Use for wall wash lighting applications. Includes INTEGRAL power supply (standard) or RT REMOTE mounted power supply (optional). To ensure fixture to fixture color consistency, use of the same LED option with adjacent fixtures is recommended. One field interchangeable optic option included standard. Up to one additional optical accessory can be accommodated.

Installation Notes
Accommodates sheetrock/wood/stone (tile) ceilings with thicknesses ranging from 1/2" (min) - 1-1/2" (max). Requires 5-1/2" (min) ceiling space above finished ceiling. Type Non-IC rated for installations where insulation is held back a minimum of 3" away from sides and top. Meets Washington State Airtight Standard WAC 51-11-0502 and in accordance with ASTM E283 to reduce energy loss. Ambient temperatures in ceiling space should not exceed 40°C (104°F) during normal operation.

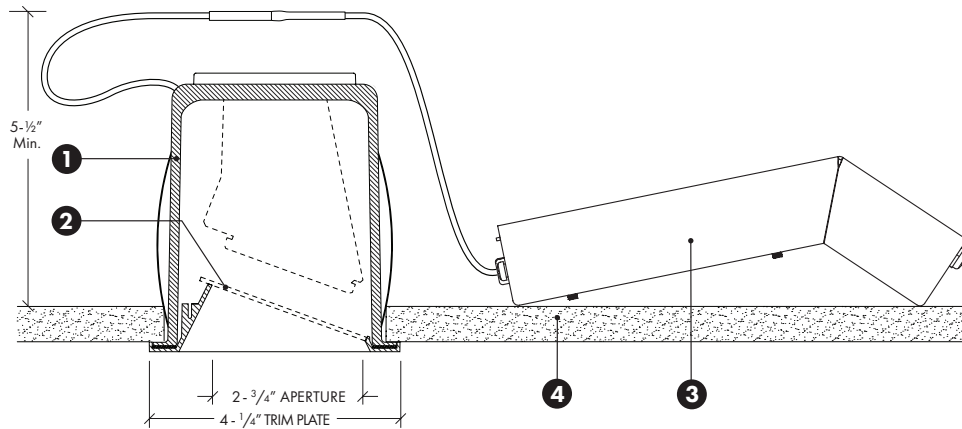
Dimming and Output Option Notes
0-10v dimming options are configured for linear control. DALI dimming options are configured for logarithmic control. No.8 Lighting conducts extensive testing to establish compatibility with many dimmer types. For a complete list of compatible dimmers, see 8lighting.com/resources-downloads.

Outputs vary depending on LED type, trim type, and optical accessories used. For photometric files in PDF and IES formats, see: 8lighting.com/200-series-photometry.

Trim Finish and Accessory Notes
White trim finish is field paintable to match ceiling color. Lot variations may occur with specialty finishes. Ordering ALL trim kits at the same time is recommended to minimize finish variations. Trim lens accessories are factory installed into trim plates and are UL WET LISTED and rated for use in DRY, DAMP, or WET locations (covered ceiling applications only). Approved for use in residential steam applications. Not for use in commercial steam applications.

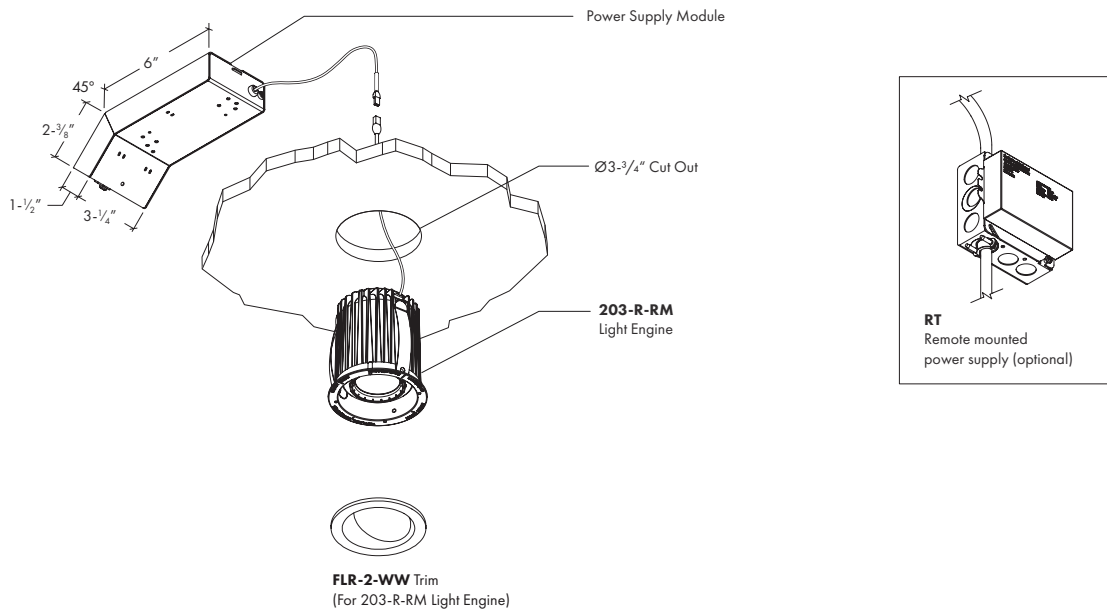
Warranty
All No. 8 Lighting products are covered by a 5 year limited warranty. Products installed in residential steam applications are covered by a 2 year limited warranty. For specific warranty details and limitations, see: 8lighting.com/resources-downloads.

203-R-RM REMODEL LIGHT ENGINE + POWER SUPPLY with FLANGED TRIM INSTALLATION



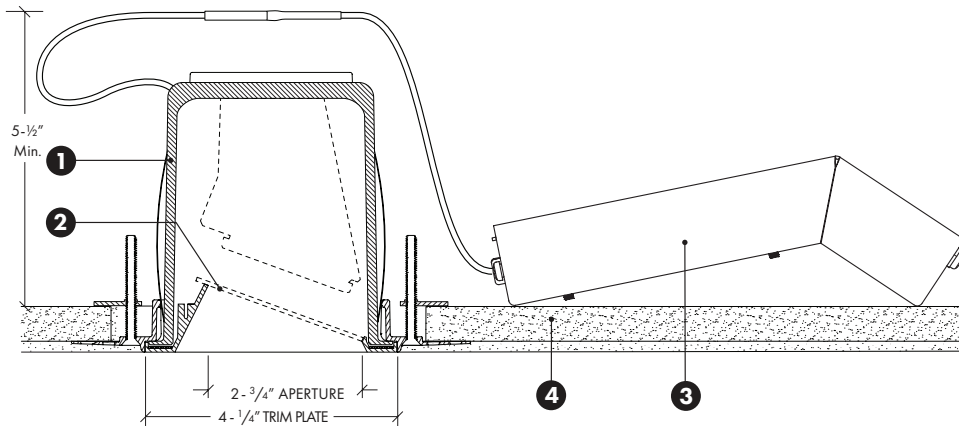
- 1) **203-R-RM** Wall Wash ROUND Light Engine with fixed 20° tilt.
- 2) **FLR-2-WW** Flanged ROUND WALL WASH Trim.
- 3) **Power Supply/Junction Box** (shown) Installs from below finished ceiling and is accessible after installation. Requires 5-1/2" (Min.) clearance above ceiling for installation. **RT** Remote mounted LED driver/junction box (not shown) can be mounted up to 100ft from fixture using 12AWG Class 2 stranded wire. See wire length table on Page 2.
- 4) **Ceiling Material** (Sheetrock/Wood/Stone) Accommodates ceiling thicknesses from 1/2" (min) to 1-1/2" (max) without affecting aiming or rotation.

203-R-RM REMODEL LIGHT ENGINE + POWER SUPPLY with FLANGED TRIM INSTALLATION



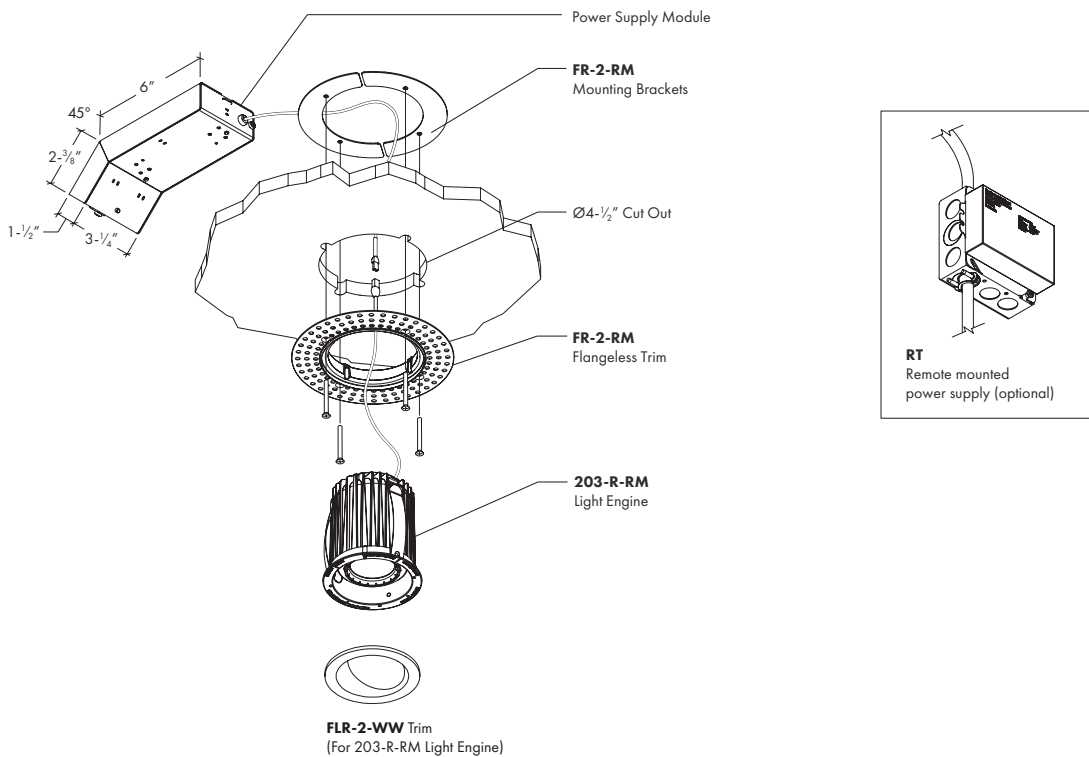
CEILING TYPES: Sheetrock, Wood & Stone | **CEILING THICKNESS:** 1/2" Min to 1-1/2" Max | **CUT-OUT:** Ø 3-3/4"

203-R-RM REMODEL LIGHT ENGINE + POWER SUPPLY with FR-2-RM FLANGELESS TRIM



- 1) **203-R-RM** Wall Wash ROUND Light Engine with fixed 20° tilt.
- 2) **FLR-2-WW** Flanged ROUND WALL WASH trim + **FR-2-RM** ROUND FLANGELESS trim accessory.
- 3) **Power Supply/Junction Box** (shown) Installs from below finished ceiling and is accessible after installation. Requires 5-1/2" (Min.) clearance above ceiling for installation. **RT** Remote mounted LED driver/junction box (not shown) can be mounted up to 100ft from fixture using 12 AWG Class 2 stranded wire. See wire length table on Page 2.
- 4) **Ceiling Material** (Sheetrock) Accommodates ceiling thicknesses from 1/2" (min) to 1-1/2" (max) without affecting aiming or rotation.

203-R-RM REMODEL LIGHT ENGINE + POWER SUPPLY with FR-2-RM FLANGELESS TRIM



CEILING TYPES: Sheetrock | **CEILING THICKNESS:** 1/2" Min to 1-1/2" Max | **CUT-OUT:** Ø 4-1/2"

203-R-RM w/ FLR-2-WW TRIM - PERFORMANCE SUMMARY

LED	CCT	CRI	R9	Delivered Lumens	System Wattage	Delivered LPW
HI-2700	2700K	92+	61	939	14	67
HI-3000	3000K	92+	56	988	14	71
HI-3500	3500K	92+	61	1028	14	73
HI-4000	4000K	92+	58	1057	14	76
WD	3000-1800K	97+	80	714	15	48
WD2	2800-2200K	95+	74	693	15	46









Performance shown for HI LED with 40° optic option.

Performance shown for WD LED at 3000K and WD-2 LED at 2800K with 40° optic option.









LED OUTPUT MULTIPLIERS

LED	HI-2700, HI-3000, HI-3500 & HI-4000 LED				WD & WD-2 LED	
	HI-2700	HI-3000	HI-3500	HI-4000	WD	WD-2
Multiplier	0.95	1.0	1.04	1.07	1.0	0.97

203-R-RM-HI-3000-40 w/ FLR-2-WW TRIM – FOOTCANDLES ON WALL

DISTANCE FROM WALL		24"						30"					
ON CENTER SPACING			24"			30"			30"			36"	
DISTANCE FROM CEILING	1'	6.3	6.5	6.3	6.0	5.2	6.0	1.9	1.6	1.9	1.8	1.4	1.8
	2'	44.6	44.9	44.6	40.4	40.9	40.4	19.3	20.0	19.3	18.0	16.6	18.0
	3'	47.7	53.3	47.7	42.7	47.4	42.7	32.5	36.0	32.5	29.6	32.2	29.6
	4'	33.2	36.5	33.2	30.2	33.8	30.2	28.9	32.2	28.9	26.4	29.6	26.4
	5'	21.3	22.9	21.3	19.7	21.8	19.7	21.3	23.4	21.3	19.7	22.0	19.7
	6'	13.8	14.6	13.8	12.9	14.0	12.9	14.9	16.1	14.9	14.0	15.4	14.0
	7'	9.1	9.5	9.1	8.7	9.3	8.7	10.5	11.1	10.5	9.9	10.8	9.9
	8'	6.2	6.5	6.2	6.0	6.3	6.0	7.4	7.8	7.4	7.1	7.6	7.1
	9'	4.4	4.6	4.4	4.3	4.5	4.3	5.4	5.6	5.4	5.2	5.5	5.2

203-R-RM-WD-3000-40 w/ FLR-2-WW TRIM – FOOTCANDLES ON WALL

DISTANCE FROM WALL		24"						30"					
ON CENTER SPACING			24"			30"			30"			36"	
DISTANCE FROM CEILING	1'	5.2	5.6	5.2	4.9	4.5	4.9	1.5	1.2	1.5	1.4	1.1	1.4
	2'	34.6	38.7	34.6	31.3	31.8	31.3	15.2	16.0	15.2	14.1	13.3	14.1
	3'	35.4	39.7	35.4	31.7	35.4	31.7	24.6	27.8	24.6	22.4	24.7	22.4
	4'	24.2	26.6	24.2	22.0	24.7	22.0	21.3	23.9	21.3	19.5	22.0	19.5
	5'	15.4	16.5	15.4	14.2	15.7	14.2	15.5	17.0	15.5	14.4	16.1	14.4
	6'	9.8	10.4	9.8	9.2	10.0	9.2	10.8	11.7	10.8	10.1	11.1	10.1
	7'	6.5	6.8	6.5	6.2	6.6	6.2	7.5	8.0	7.5	7.1	7.7	7.1
	8'	4.4	4.6	4.4	4.3	4.5	4.3	5.3	5.6	5.3	5.1	6.4	5.1
	9'	3.1	3.2	3.1	3.2	3.0	3.2	3.8	4.0	3.8	3.7	3.9	3.7