

**202-S-RM/202-S-BV-RM REMODEL ADJUSTABLE LED  
FLS-2/FLS-2-BV TRIMS  
NON-IC + AIRTIGHT RATED**



526 Portal Street  
Cotati, CA 94931  
USA  
P 707.794.0888  
www.8lighting.com

All No. 8 Lighting fixtures and components are UL Listed to both U.S. and Canadian requirements. No. 8 Lighting trims and lamp modules are protected by one or more U.S. Patents. No. 8 Lighting reserves the right to change details of design, materials, and finish.

© 2023 No. 8 Lighting  
Doc # 91410-13.2

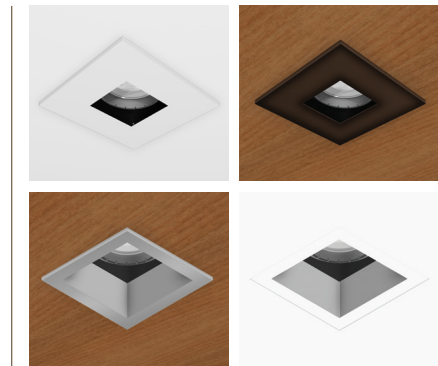


Project Name	
Date	Type
Prepared By	
Comments	
Catalog #	- - - - / - / - - -

**PRODUCT FEATURES**



**202-S-RM / 202-S-BV-RM**  
SQUARE ADJUSTABLE  
LIGHT ENGINE + POWER SUPPLY



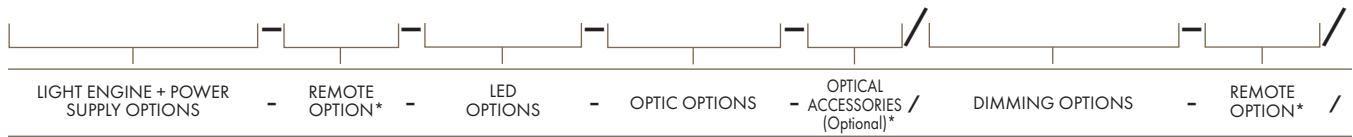
**200 SERIES TRIMS**  
FLANGED or FLANGELESS

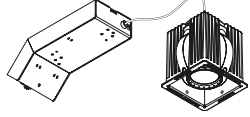
**202-S-RM/202-S-BV-RM SPECIFICATION SUMMARY**

	Static White				Warm Dimming	
	HI-2700	HI-3000	HI-3500	HI-4000	WD	WD-2
LED Option	1094	1151	1197	1232	760	737
Delivered Lumens	14	14	14	14	15	15
System Wattage	76	80	83	86	50	48
Efficacy	92+	92+	92+	92+	97+	95+
CRI	61	57	61	58	81	74
R9	2700K	3000K	3500K	4000K	3000-1800K	2800-2200K
CCT	2-Step				3-Step	
Color Consistency	15, 25, 40, 60				15-NFL, 25-NFL, 40-NFL, 60-NFL	
Optic Options	Narrow, Medium, Wide, Extra Wide, Linear Spread				N/A	
Optical Accessories	0-30° Tilt, 360° Rotation					
Adjustability	INTEGRAL: <1/5% Forward/Reverse Phase (120v), 0.1/1/5% 0-10v (120-277v), 0.1/1% DALI (120-277v), 0.1/1% EcoSystem (120 or 277v) REMOTE: <1% Forward/Reverse Phase (120v), 0.1/1% 0-10v (120-277v), 0.1/1% DALI (120-277v), 1% EcoSystem (120 or 277v)					
Dimming Options	Square Flat, Square Bevel					
Trim Options	White, Oil-Rubbed Bronze, Satin Aluminum, Satin Aluminum w/ White Flange					
Finish Options	Flanged, Flangeless Sheetrock					
Trim Mounting Options	UL Wet Listed - Clear, Soft Focus					
Trim Lens Options	Remodel: Type Non-IC Air-Tight					
Mounting Options						

Performance data shown with FLS-2-BV Trim.  
Warm Dimming data shown for 3000K and 2800K.  
See Performance Summaries for additional information.

PRODUCT SPECIFIER/PRODUCT ORDER NUMBER



 <p><b>202-S-RM</b> Adjustable REMODEL Light Engine + Power Supply with 0-30° tilt and 360° rotation for SQUARE FLAT trim</p> <p><b>202-S-BV-RM</b> Adjustable REMODEL Light Engine + Power Supply with 0-30° tilt and 360° rotation for SQUARE BEVEL trim</p> <p>AIRTIGHT and Type Non-IC Rated for installations where insulation can be held back 3" from sides and top.</p>	<p><b>RT</b> REMOTE Mounted Power Supply *Leave blank for integral dimming options.</p>	<p><b>HI-2700</b> 2700K 92+ CRI White</p> <p><b>HI-3000</b> 3000K 92+ CRI White</p> <p><b>HI-3500</b> 3500K 92+ CRI White</p> <p><b>HI-4000</b> 4000K 92+ CRI White</p> <p><b>WD</b> 3000-1800K 97+ CRI Warm Dim</p> <p><b>WD-2</b> 2800-2200K 95+ CRI Warm Dim</p>	<p><b>15*</b> Narrow Spot</p> <p><b>25*</b> Narrow Flood</p> <p><b>40*</b> Flood</p> <p><b>60*</b> Wide Flood</p> <p><b>15-NFL-WD†</b> Spot</p> <p><b>25-NFL-WD†</b> Narrow Flood</p> <p><b>40-NFL-WD†</b> Flood</p> <p><b>60-NFL-WD†</b> Wide Flood</p> <p>*For use with HI LED option. †For use with WD or WD-2 LED options.</p>	<p><b>NSP</b> Narrow Softening Lens</p> <p><b>NFL</b> Medium Softening Lens</p> <p><b>FL</b> Wide Softening Lens</p> <p><b>WFL</b> Extra Wide Softening Lens</p> <p><b>LS</b> Linear Spread Lens</p> <p>*For use with HI LED option.</p>	<p><b>PR1-2-R</b> Premium Forward or Reverse-Phase &lt;1% Dimming</p> <p><b>DIM3-2-R*</b> Forward or Reverse-Phase 5% Dimming</p> <p><b>DIM4-2-R*</b> 0-0-10v 1% Dimming</p> <p><b>EL1-2-R</b> EldoLED 0-10v 1% Dimming</p> <p><b>EL1-01-2-R</b> EldoLED 0-10v 0.1% Dimming</p> <p><b>EL2-2-R</b> EldoLED DALI 1% Dimming</p> <p><b>EL2-01-2-R</b> EldoLED 0.1% DALI Dimming</p> <p><b>LU2-2-R</b> Lutron Hi-Lume LDE1 EcoSystem 1% Dimming</p> <p><b>LU4-2-R*</b> Lutron Hi-Lume PEQOE EcoSystem 0.1% Dimming</p> <p>*Not available with RT remote option.</p>	<p><b>RT</b> REMOTE Mounted Power Supply *Leave blank for integral dimming options.</p>
--	---	---	--	--	---	---

<p><b>TRIM OPTIONS</b></p> <p><b>FLS-2</b> 4-1/4" SQUARE FLAT trim with 1-7/8" aperture</p> <p><b>FLS-2-BV</b> 4-1/4" SQUARE BEVEL trim with 2-1/4" aperture</p>	<p><b>TRIM FINISH</b></p> <p><b>WH</b> WHITE</p> <p><b>OB*</b> OIL-RUBBED BRONZE</p> <p><b>SA*†</b> SATIN ALUMINUM</p> <p><b>SAWH*†</b> SATIN ALUMINUM with WHITE flange *Specialty finish. †Not available with FLAT trim option.</p>	<p><b>TRIM MOUNTING ACCESSORIES (Optional)</b></p> <p><b>FS-2-RM</b> SQUARE FLANGELESS trim accessory for flush mounting FLS-2/FLS-2-BV trims in sheetrock ceiling applications in REMODEL installations</p> <p><b>TRIM ACCESSORIES (Optional)</b></p> <p><b>CL2*</b> CLEAR lens</p> <p><b>SF2*</b> SOFT FOCUS lens *UL Wet listed.</p>
--	---	---

Maximum REMOTE Driver-to-LED Light Engine Wire Length	
Driver Model	Wire Gauge
PR1 / EL1 / EL1-01 / EL2 / EL2-01 / LU2-2-R-RT	
8 ft (2.5 m)	24 AWG (0.2 mm <sup>2</sup> )
13 ft (4 m)	22 AWG (0.34 mm <sup>2</sup> )
20 ft (6 m)	20 AWG (0.5 mm <sup>2</sup> )
30 ft (9 m)	18 AWG (.75 mm <sup>2</sup> )
35 ft (10.5 m)	16 AWG (1.5 mm <sup>2</sup> )
50 ft (15 m)	14 AWG (2.5 mm <sup>2</sup> )
100 ft (30 m)	12 AWG (4.0 mm <sup>2</sup> )
Wire Type: Stranded Class 2 wire (supplied by others)	

**Light Engine, LED, Optic Option, and Accessory Notes**  
**202-S-RM/202-S-BV-RM** Adjustable airtight REMODEL light engine with 0-30° tilt and 360° rotation for SQUARE FLAT/BEVEL trim. Use for adjustable accent and general lighting applications. Includes INTEGRAL power supply (standard) or RT REMOTE mounted power supply (optional). To ensure fixture to fixture color consistency, use of the same LED option with adjacent fixtures is recommended. One field interchangeable optic option included standard. Up to one additional optical accessory can be accommodated.

**Installation Notes**  
 Accommodates sheetrock/wood/stone (tile) ceilings with thicknesses ranging from 1/2" (min) - 1-1/2" (max). Requires 5-1/2" (min) ceiling space above finished ceiling. Type Non-IC rated for installations where insulation is held back a minimum of 3" away from sides and top. Meets Washington State Airtight Standard WAC 51-11-0502 and in accordance with ASTM E283 to reduce energy loss. Ambient temperatures in ceiling space should not exceed 40°C (104°F) during normal operation.

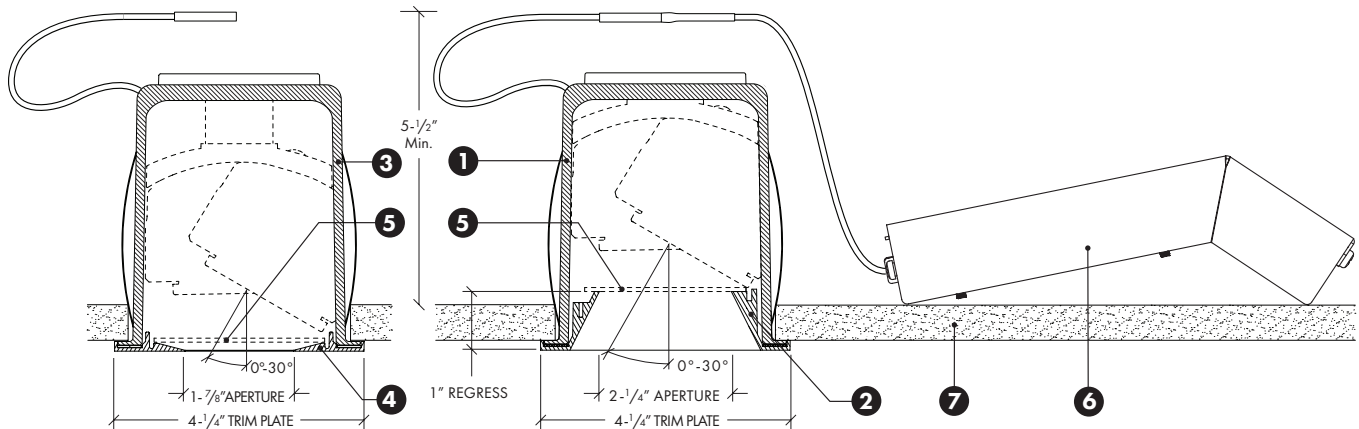
**Dimming and Output Option Notes**  
 0-10v dimming options are configured for linear control. DALI dimming options are configured for

logarithmic control. No.8 Lighting conducts extensive testing to establish compatibility with many dimmer types. For a complete list of compatible dimmers, see [8lighting.com/resources-downloads](http://8lighting.com/resources-downloads). Outputs vary depending on LED type, trim type, and optical accessories used. For photometric files in PDF and IES formats, see: [8lighting.com/200-series-photometry](http://8lighting.com/200-series-photometry).

**Trim Finish and Accessory Notes**  
 White trim finish is field paintable to match ceiling color. Lot variations may occur with specialty finishes. Ordering ALL trim kits at the same time is recommended to minimize finish variations. Trim lens accessories are factory installed into trim plates and are UL WET LISTED and rated for use in DRY, DAMP, or WET locations (covered ceiling applications only). Approved for use in residential steam applications. Not for use in commercial steam applications.

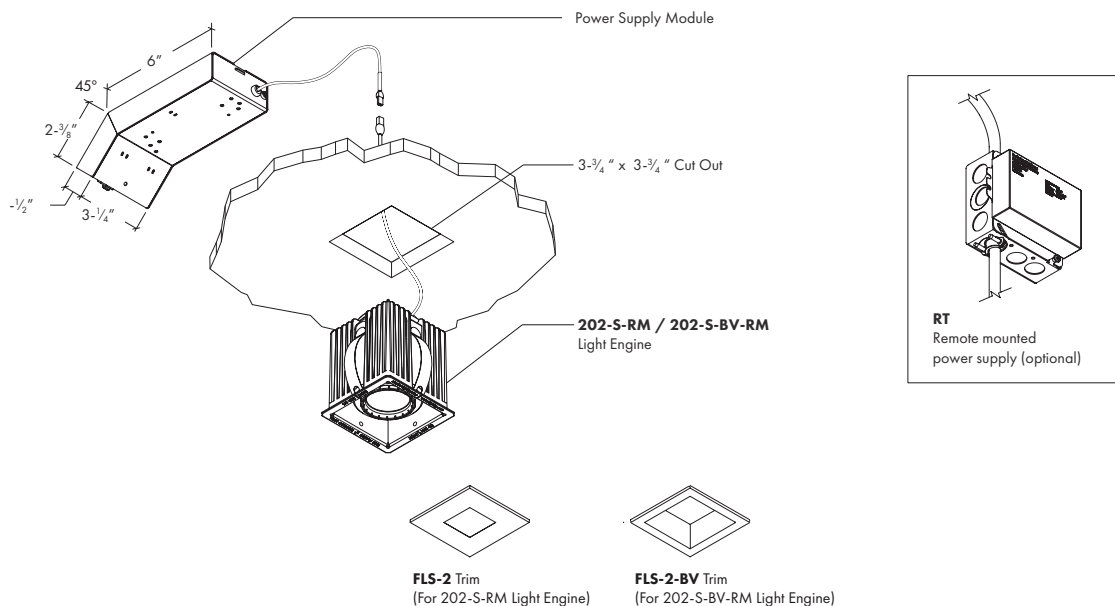
**Warranty**  
 All No. 8 Lighting products are covered by a 5 year limited warranty. Products installed in residential steam applications are covered by a 2 year limited warranty. For specific warranty details and limitations, see: [8lighting.com/resources-downloads](http://8lighting.com/resources-downloads).

## 202-S-RM/202-S-BV-RM REMODEL LIGHT ENGINE + POWER SUPPLY with FLANGED TRIMS INSTALLATION



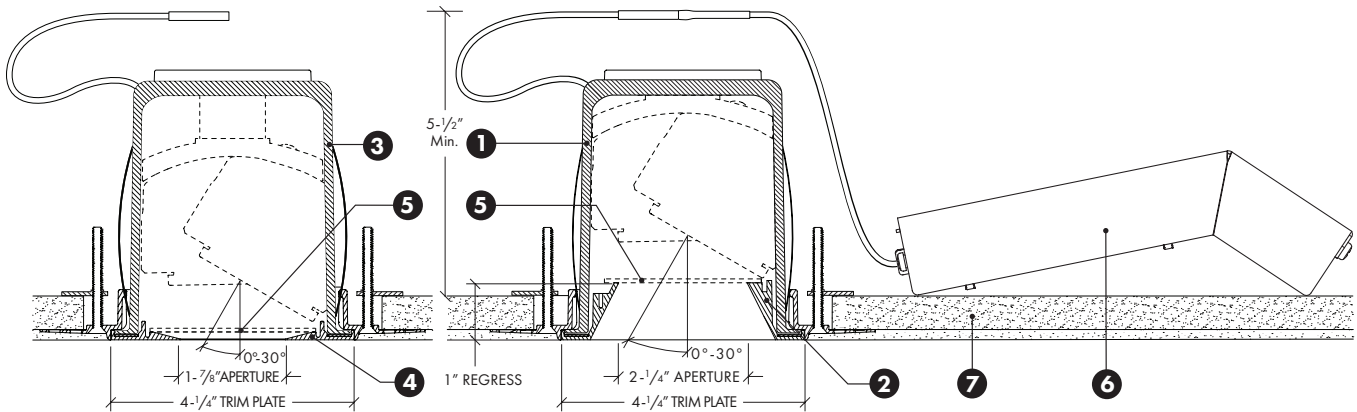
- 1) **202-S-BV-RM** Adjustable SQUARE Light Engine for BEVEL trim.
- 2) **FLS-2-BV** Flanged SQUARE BEVEL Trim.
- 3) **202-S-RM** Adjustable SQUARE Light Engine for FLAT trim.
- 4) **FLS-2** Flanged SQUARE FLAT Trim.
- 5) **CL2/SF2** (Optional) Clear or Soft Focus lens rated for use in DRY, DAMP, or WET locations (covered ceiling applications only).
- 6) **Power Supply/Junction Box** (shown) Installs from below finished ceiling and is accessible after installation. Requires 5-1/2" (Min.) clearance above ceiling for installation.
- RT** Remote mounted LED driver/junction box (not shown) can be mounted up to 100ft from fixture using 12AWG Class 2 stranded wire. See wire length table on Page 2.
- 7) **Ceiling Material** (Sheetrock/Wood/Stone) Accommodates ceiling thicknesses from 1/2" (min) to 1-1/2" (max) without affecting aiming or rotation.

## 202-S-RM/202-S-BV-RM REMODEL LIGHT ENGINE + POWER SUPPLY with FLANGED TRIM INSTALLATION



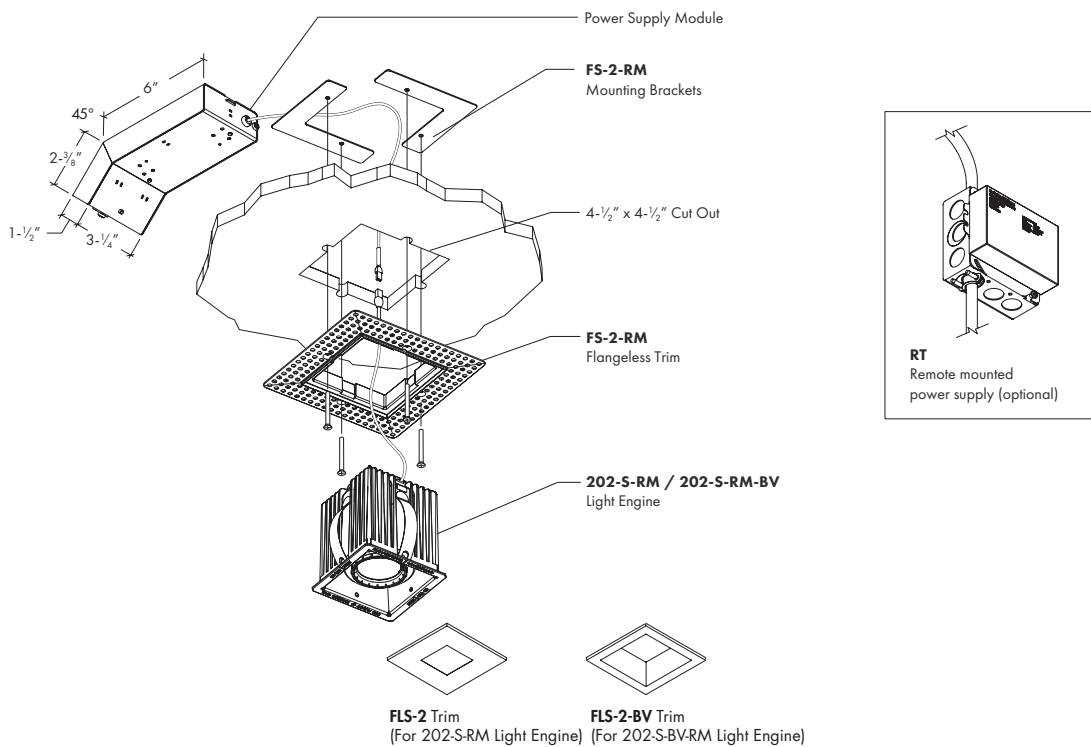
**CEILING TYPES:** Sheetrock, Wood & Stone | **CEILING THICKNESS:** 1/2" Min to 1-1/2" Max | **CUT-OUT:** 3-3/4" x 3-3/4"

**202-S-RM/202-S-BV-RM REMODEL LIGHT ENGINE + POWER SUPPLY with FS-2-RM FLANGELESS TRIM**



- 1) **202-S-BV-RM** Adjustable SQUARE Light Engine for BEVEL trim.
- 2) **FLS-2-BV** Flanged SQUARE BEVEL Trim + **FS-2-RM** SQUARE FLANGELESS trim accessory.
- 3) **202-S-RM** Adjustable SQUARE Light Engine for FLAT trim.
- 4) **FLS-2** Flanged SQUARE FLAT Trim + **FS-2-RM** SQUARE FLANGELESS trim accessory.
- 5) **CL2/SF2** (Optional) Clear or Soft Focus lens rated for use in DRY, DAMP, or WET locations (covered ceiling applications only).
- 6) **Power Supply/Junction Box** (shown) Installs from below finished ceiling and is accessible after installation. Requires 5-1/2" (Min.) clearance above ceiling for installation.
- RT** Remote mounted LED driver/junction box (not shown) can be mounted up to 100ft from fixture using 12AWG Class 2 stranded wire. See wire length table on Page 2.
- 7) **Ceiling Material** (Sheetrock) Accommodates ceiling thicknesses from 1/2" (min) to 1-1/2" (max) without affecting aiming or rotation.

**202-S-RM/202-S-BV-RM REMODEL LIGHT ENGINE + POWER SUPPLY with FS-2-RM FLANGELESS TRIM**



**CEILING TYPES:** Shetrock | **CEILING THICKNESS:** 1/2" Min to 1-1/2" Max | **CUT-OUT:** 4-1/2" x 4-1/2"

**202-S-RM/202-S-BV-RM w/ FLS-2/FLS-2-BV TRIM - PERFORMANCE SUMMARY**

LED	CCT	CRI	R9	Delivered Lumens	System Wattage	Delivered LPW
<b>HI-2700</b>	2700K	92+	61	885 - 1094	14	63 - 78
<b>HI-3000</b>	3000K	92+	57	932 - 1151	14	67 - 82
<b>HI-3500</b>	3500K	92+	61	969 - 1197	14	69 - 86
<b>HI-4000</b>	4000K	92+	58	997 - 1232	14	71 - 88
<b>WD</b>	3000-1800K	97+	81	572 - 760	15	38 - 51
<b>WD2</b>	2800-2200K	95+	74	555 - 737	15	37 - 49

Performance range for **HI** LED with 15°, 25°, 40°, and 60° optic options.

Performance range for **WD** LED at 3000K and **WD-2** LED at 2800K with 15-NFL-WD, 25-NFL-WD, 40-NFL-WD, and 60-NFL-WD optic options.

**LED OUTPUT MULTIPLIERS**

LED	HI-2700, HI-3000, HI-3500 & HI-4000 LED				WD & WD-2 LED	
	HI-2700	HI-3000	HI-3500	HI-4000	WD	WD-2
<i>Multiplier</i>	0.95	1.0	1.04	1.07	1.0	0.97

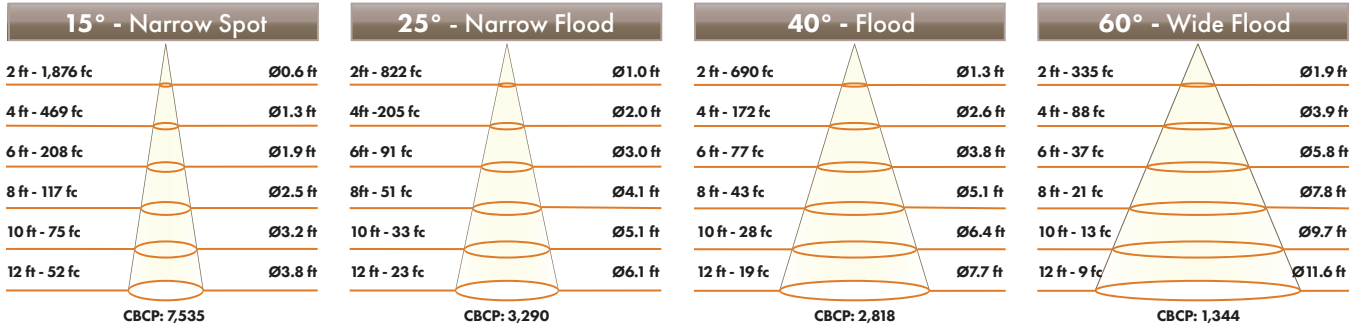
**OPTICAL OPTIONS AND ACCESSORY PERFORMANCE SUMMARY**

HI-2700, HI-3000, HI-3500 & HI-4000 LED							WD & WD-2 LED	
OPTIC OPTIONS	BEAM ANGLE	BEAM ENHANCING LENS (OPTIONAL)*					OPTIC OPTIONS	BEAM ANGLE
		+ NSP	+ NFL	+ FL	+ WFL	+ LS		
<b>15</b> Narrow Spot	17°	20°	29°	49°	63°	20 x 47°	<b>15-NFL-WD</b> Spot	26°
<b>25</b> Narrow Flood	27°	29°	36°	57°	71°	28 x 58°	<b>25-NFL-WD</b> Narrow Flood	34°
<b>40</b> Flood	35°	36°	40°	n/a	n/a	n/a	<b>40-NFL-WD</b> Flood	40°
<b>60</b> Wide Flood	54°	55°	57°	n/a	n/a	n/a	<b>60-NFL-WD</b> Wide Flood	57°

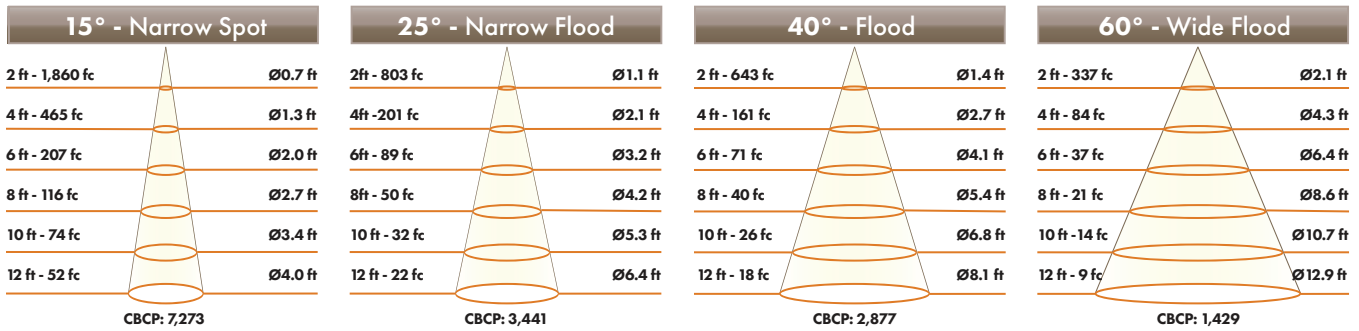
\*Beam enhancing lens used in combination with **HI** LED option and 15°, 25°, 40°, or 60° optic to achieve desired beam spread (**HI** LED only)

**202-S-RM-HI/202-S-BV-RM-HI CONE OF LIGHT DIAGRAMS**

**202-S-RM-HI-3000/FLS-2**

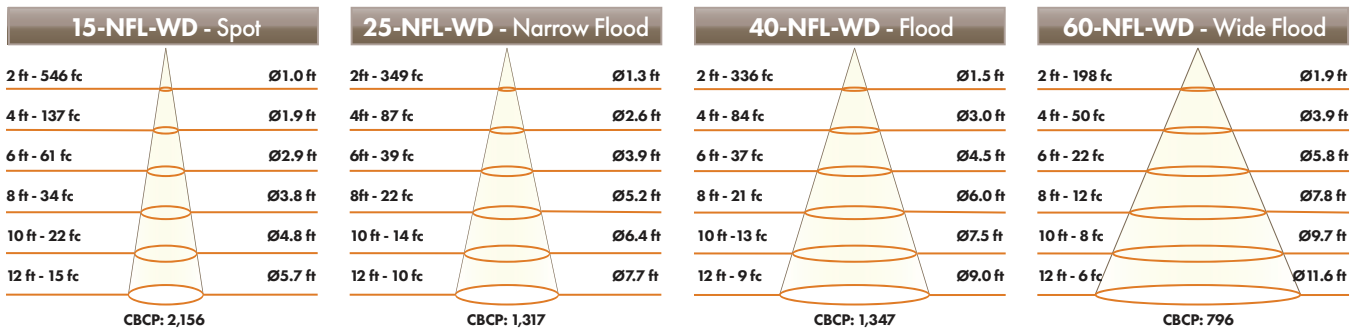


**202-S-BV-RM-HI-3000/FLS-2-BV**



**202-S-RM-WD/202-S-BV-RM-WD WARM DIM CONE OF LIGHT DIAGRAMS**

**202-S-RM-WD/FLS-2**



**202-S-BV-RM-WD/FLS-2-BV**

