

203-S NEW CONSTRUCTION WALL WASH LED
FLS-2-WW WALL WASH TRIM
NON-IC/IC-CP RATED HOUSINGS



eight
LIGHTING

526 Portal Street
 Cotati, CA 94931
 USA
 P 707.794.0888
 www.8lighting.com

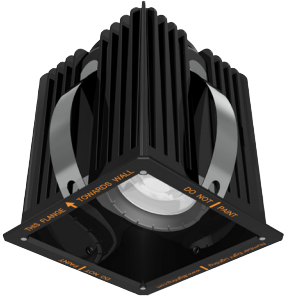
All No. 8 Lighting fixtures and components are UL Listed to both U.S. and Canadian requirements. No. 8 Lighting trims and lamp modules are protected by one or more U.S. Patents. No. 8 Lighting reserves the right to change details of design, materials, and finish.

© 2023 No. 8 Lighting
 Doc # 91406-13.2

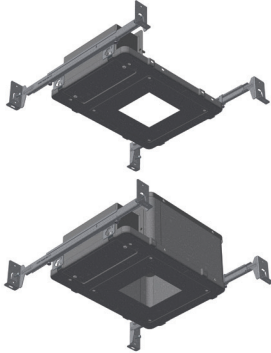


Project Name	
Date	Type
Prepared By	
Comments	
Catalog # 203-S - - / / FLS-2-WW - - / -	


PRODUCT FEATURES



203-S
SQUARE WALL WASH LIGHT ENGINE



200 SERIES HOUSINGS
TYPE NON-IC or IC-CP RATED for SQUARE TRIMS



200 SERIES TRIMS
FLANGED or FLANGELESS

203-S SPECIFICATION SUMMARY

LED Option	Static White				Warm Dimming	
	HI-2700	HI-3000	HI-3500	HI-4000	WD	WD-2
Delivered Lumens	940	990	1028	1059	727	705
System Wattage	14	14	14	14	15	15
Efficacy	67	71	74	76	48	47
CRI	92+	92+	92+	92+	97+	95+
R9	61	60	61	58	80	74
CCT	2700K	3000K	3500K	4000K	3000-1800K	2800-2200K
Color Consistency	2-Step				3-Step	
Optic Options	40, 60					
Optical Accessories	N/A					
Adjustability	Fixed Position (20° Wall Wash)					
Dimming Options	<1/5% Forward/Reverse Phase (120v), 0.1/1/5% 0-10v (120-277v), 0.1/1% DALI (120-277v), 0.1/1% EcoSystem (120 or 277v)					
Trim Options	Square Wall Wash					
Finish Options	White, Oil-Rubbed Bronze, Satin Aluminum, Satin Aluminum w/ White Flange					
Trim Mounting Options	Flanged, Flangeless Sheetrock, Flangeless Wood					
Trim Lens Options	UL Wet Listed					
Housing Options	New Construction: Type Non-IC Air-Tight, Type IC-CP Rated CCEA Approved Air-Tight					

Performance data shown with FLS-2-WW Trim.
 Warm Dimming data shown for 3000K and 2800K.
 See Performance Summaries for additional information.

PRODUCT SPECIFIER/PRODUCT ORDER NUMBER

203-S

LIGHT ENGINE
OPTIONS

-

LED
OPTIONS

-

OPTIC OPTIONS

/

DIMMING OPTIONS

/



203-S
Wall Wash NEW CONSTRUCTION
air-tight Light Engine with fixed 20° tilt for
SQUARE WALL WASH trim

HI-2700
2700K 92+ CRI White
HI-3000
3000K 92+ CRI White
HI-3500
3500K 92+ CRI White
HI-4000
4000K 92+ CRI White
WD
3000-1800K 97+ CRI
Warm Dim
WD-2
2800-2200K 95+ CRI Warm Dim

40
Flood
60
Wide Flood

PR1-2
Premium Forward or Reverse-Phase <1% Dimming
DIM3-2
Forward or Reverse-Phase 5% Dimming
DIM4-2
0-10v 5% Dimming
EL1-2
EldoLED 0-10v 1% Dimming
EL1-01-2
EldoLED 0-10v 0.1% Dimming
EL2-2
EldoLED DALI 1% Dimming
EL2-01-2
EldoLED 0.1% DALI Dimming
LU2-2
Lutron Hi-Lume LDE1 EcoSystem 1% Dimming
LU4-2
Lutron Hi-Lume PEQOE EcoSystem 0.1% Dimming

FLS-2-WW

TRIM OPTIONS

-

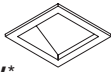
TRIM FINISH

TRIM MOUNTING ACCESSORIES
(Optional)

/

HOUSING OPTIONS

MOUNTING
OPTIONS



FLS-2-WW*
4-1/4" SQUARE WALL WASH with
2-3/4" angle-cut aperture and wall
wash lens
*UL Wet listed.

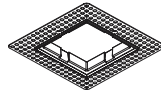
WH
WHITE

OB*
OIL-RUBBED BRONZE

SA*†
SATIN ALUMINUM

SAWH*†
SATIN ALUMINUM with WHITE
flange
*Specialty finish.

†Not available with FLAT trim option.



FS-2*
SQUARE FLANGELESS trim accessory for
flush mounting FLS-2, FLS-2-BV, or FLS-2-
WW trims in sheetrock ceiling applications
*For use with NIC-FS or IC-CP-FS housing
options only.

NIC-S
Type Non-IC for SQUARE flanged trim
applications

NIC-FS*
Type Non-IC for SQUARE flangeless trim in
sheetrock applications

NIC-FS-W
Type Non-IC for SQUARE flangeless trim in
wood/stone applications

IC-CP-S
Type IC Chicago Plenum Rated for
SQUARE flanged trim applications

IC-CP-FS*
Type IC Chicago Plenum Rated for
SQUARE flangeless trim in sheetrock
applications

IC-CP-FS-W
Type IC Chicago Plenum Rated for
SQUARE flangeless trim in wood/stone
applications

*Requires FS-2 flangeless trim accessory.

BH
Bar Hangers for joist
mounting

BB
Butterfly Brackets for c-
channel or bar mounting

TBC-BH
T-Bar Mounting Clips +
Bar Hangers for T-Bar
mounting

PMB
Panel Mounting
Brackets (set of two) for
direct mounting to wood
panels

Light Engine, LED, Optic Option, and Accessory Notes

203-S Wall wash NEW CONSTRUCTION light engine with fixed 20° tilt for SQUARE WALL WASH trim. Light engine meets Washington State Airtight Standard WAC 51-11-0502 and in accordance with ASTM E283 to reduce energy loss. Use for wall wash lighting applications. To ensure fixture to fixture color consistency, use of the same LED option with adjacent fixtures is recommended. One field interchangeable optic option included standard.

Dimming and Output Option Notes

0-10v dimming options are configured for linear control. DALI dimming options are configured for logarithmic control. No.8 Lighting conducts extensive testing to establish compatibility with many dimmer types. For a complete list of compatible dimmers, see lighting.com/resources-downloads. Outputs vary depending on LED type, trim type, and optical accessories used. For photometric files in PDF and IES formats, see: lighting.com/200-series-photometry.

Trim Finish and Accessory Notes

White trim finish is field paintable to match ceiling color. Lot variations may occur with specialty finishes. Ordering ALL trim kits at the same time is recommended to minimize finish variations. Trim lens accessories are factory installed into trim plates and are UL WET LISTED and rated for use in DRY, DAMP, or WET locations (covered ceiling applications only). Approved for use in residential steam applications. Not for use in commercial steam applications.

Housing and Installation Notes

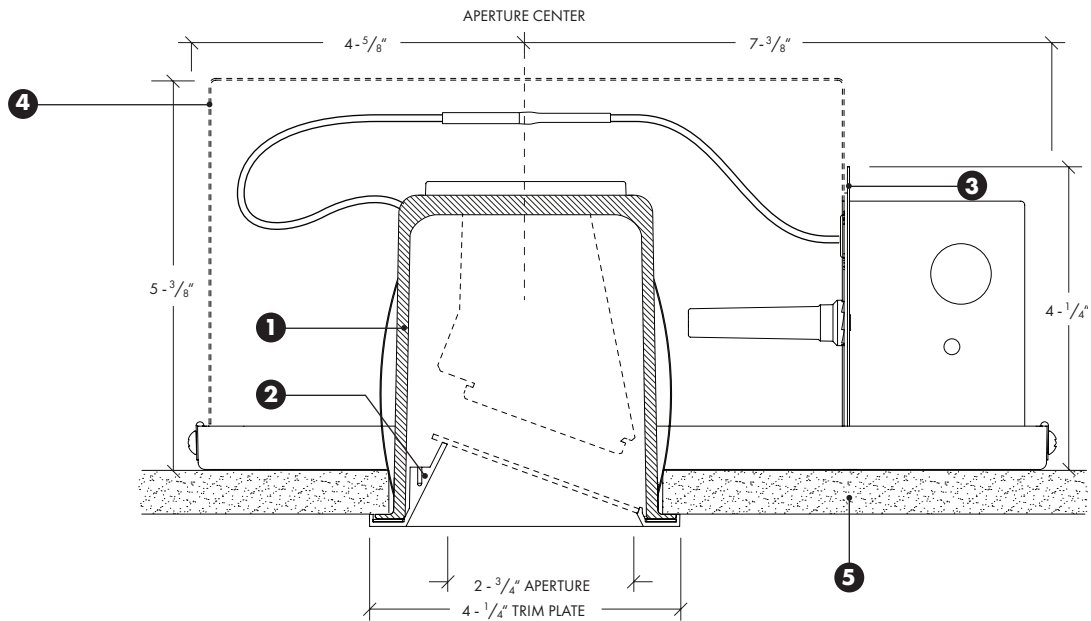
Type Non-IC housings are rated for installations where insulation is held back a minimum of 3" away from sides and top. Type IC-CP housings are rated for direct contact with standard or spray-foam thermal insulation with a max combined R-Value of R42. Type IC-CP housings meet Washington State Airtight Standard WAC 51-11-0502 and in accordance with ASTM E283 to reduce energy loss and are CCEA plenum rated for City of Chicago environmental air spaces. For installations in direct contact with thermal insulation, ambient temperatures in ceiling space should not exceed 25°C (77°F) during normal operation. For installations where insulation is held back a minimum of 3" from sides and top, ambient temperatures in ceiling space should not exceed 40°C (104°F) during normal operation.

Warranty

All No. 8 Lighting products are covered by a 5 year limited warranty. Products installed in residential steam applications are covered by a 2 year limited warranty. For specific warranty details and limitations, see: lighting.com/resources-downloads.

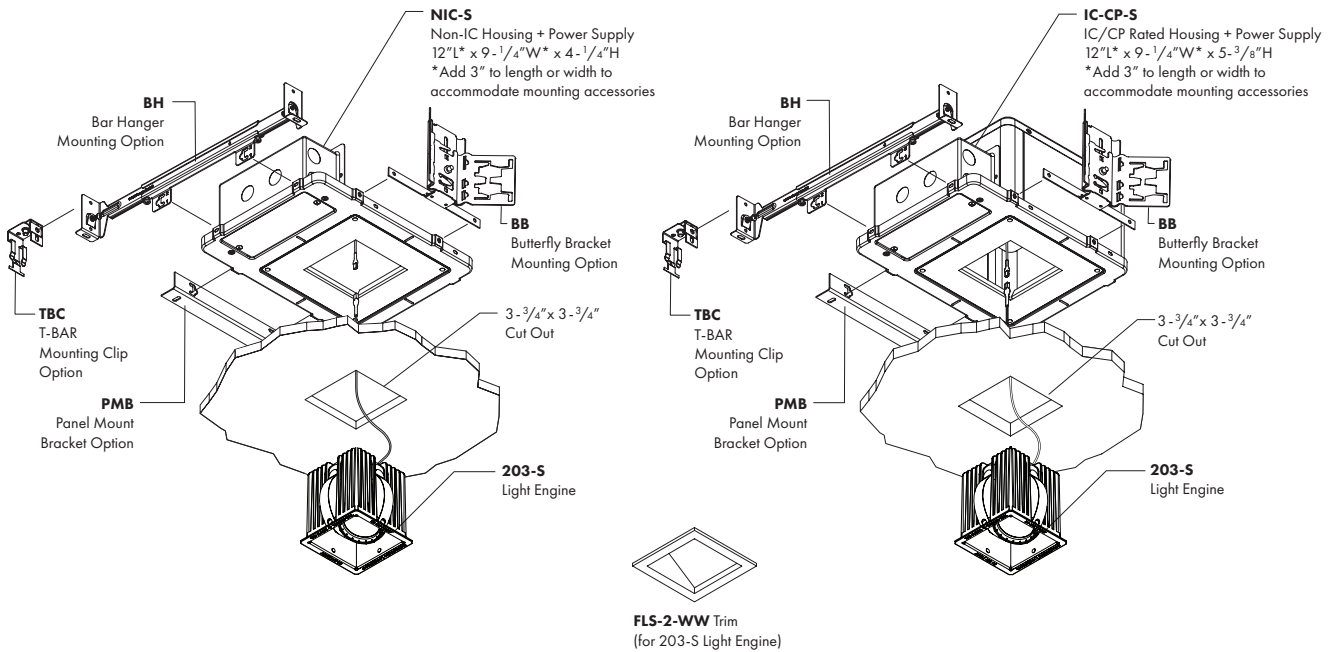
JAB-2022 CA Title 24 Compliant except with Type Non-IC housing options:
NIC-S, NIC-FS, and NIC-FS-W.

203-S + NIC-S and IC-CP-S NEW CONSTRUCTION HOUSINGS with FLANGED TRIM INSTALLATION



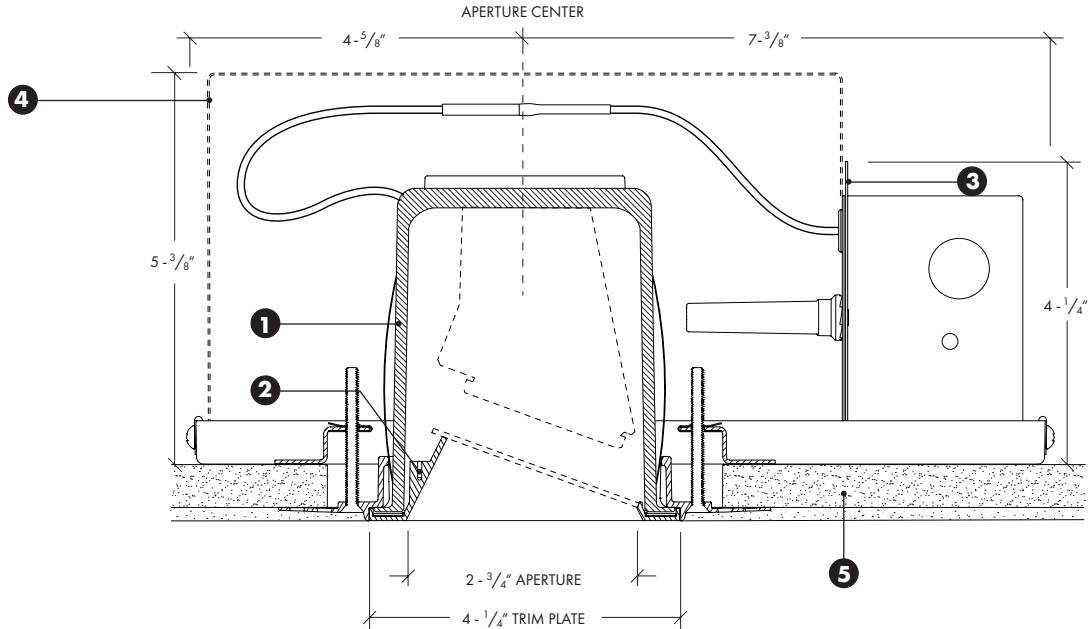
- 1) 203-S Wall Wash SQUARE Light Engine with fixed 20° tilt.
- 2) FLS-2-WW Flanged SQUARE WALL WASH Trim.
- 3) NIC-S Type Non-IC housing and power supply for SQUARE light engine and FLANGED trim installation.
- 4) IC-CP-S (shown dashed) Type IC Rated/Air-tight/CCEA approved housing and power supply for SQUARE light engine and FLANGED trim installation.
- 5) Ceiling Material (Sheetrock/Wood/Stone/Acoustic Tile) Accommodates ceiling thicknesses from 1/2" (min) to 1-1/2" (max) without affecting aiming or rotation.

203-S + NIC-S and IC-CP-S NEW CONSTRUCTION HOUSINGS with FLANGED TRIM INSTALLATION



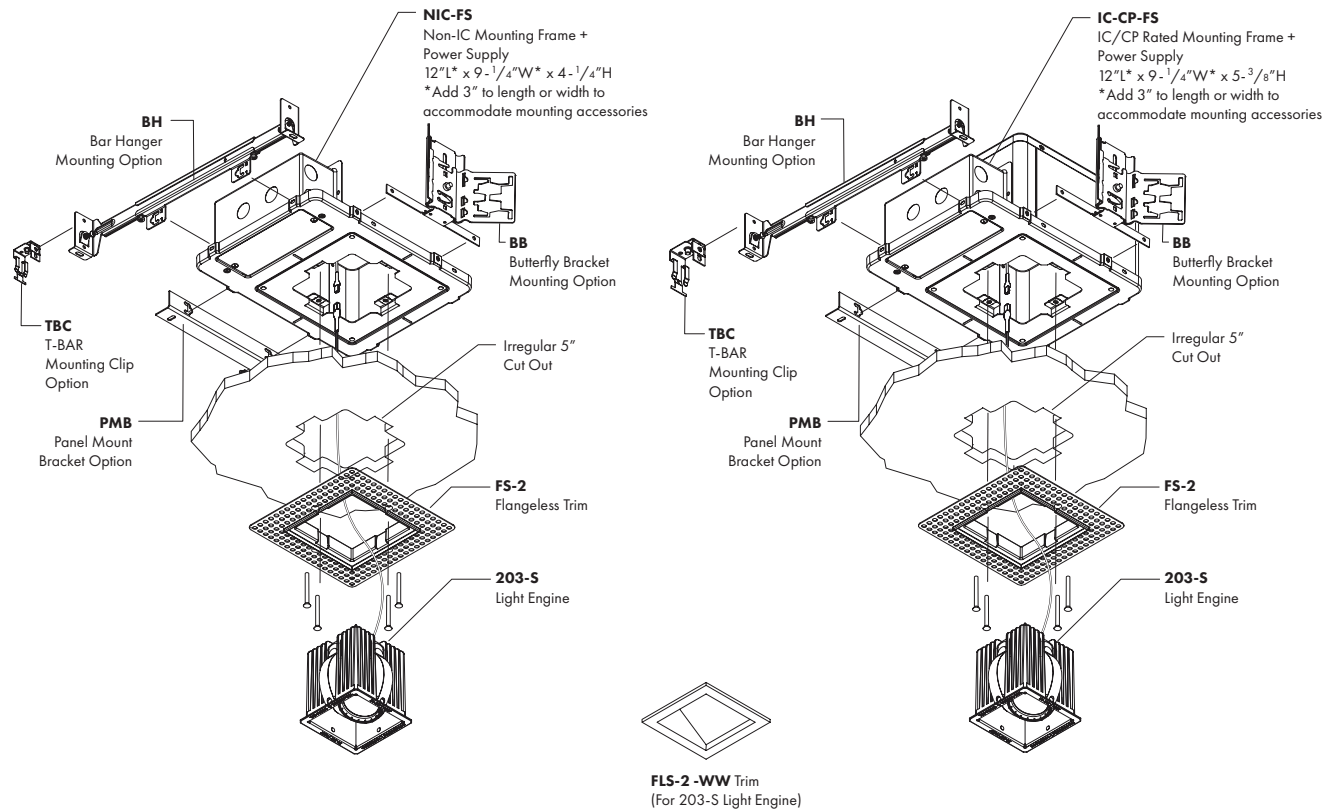
CEILING TYPES: Sheetrock, Wood, Stone & Acoustic Tile | **CEILING THICKNESS:** 1/2" Min to 1-1/2" Max | **CUT-OUT:** 3-3/4" x 3-3/4"

203-S + NIC-FS and IC-CP-FS with FLANGELESS TRIM INSTALLATION for SHEETROCK CEILINGS



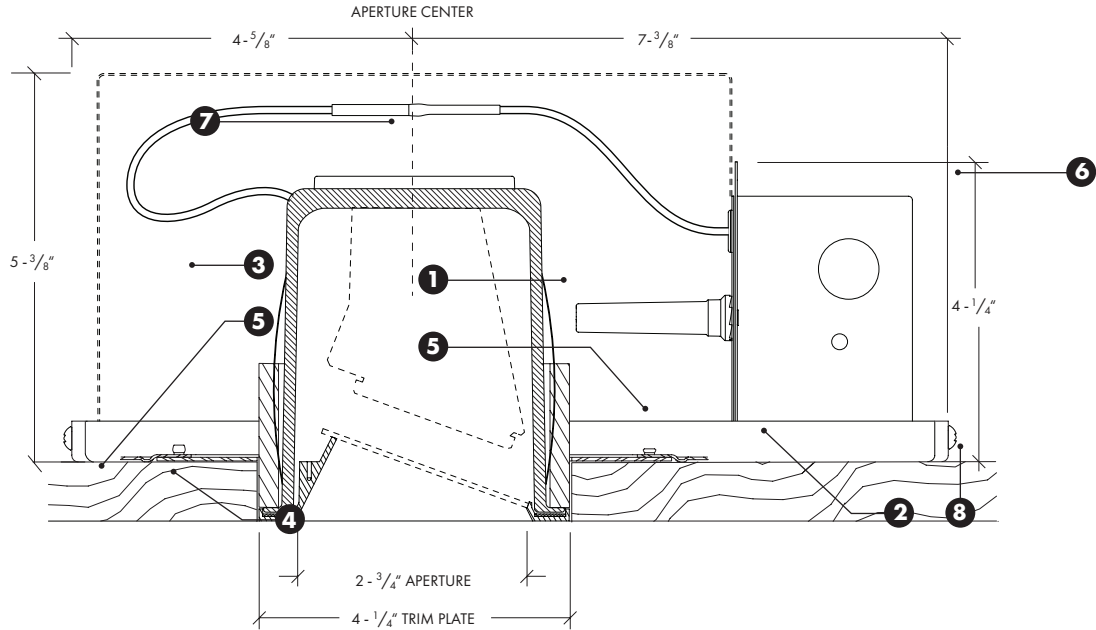
- 1) 203-S Wall Wash SQUARE Light Engine with fixed 20° tilt.
- 2) FLS-2-WW Flanged SQUARE WALL WASH trim+ FS-2 SQUARE FLANGELESS trim accessory.
- 3) NIC-FS Type Non-IC housing and power supply for SQUARE light engine and FLANGELESS trim in sheetrock ceiling applications.
- 4) IC-CP-FS (shown dashed) Type IC Rated/Air-tight/CCEA approved housing and power supply for SQUARE light engine and FLANGELESS trim in sheetrock ceiling applications.
- 5) Ceiling Material (Sheetrock) Accommodates ceiling thicknesses from 1/2" (min) to 1-1/2" (max) without affecting aiming or rotation.

203-S + NIC-FS and IC-CP-FS with FLANGELESS TRIM INSTALLATION for SHEETROCK CEILINGS



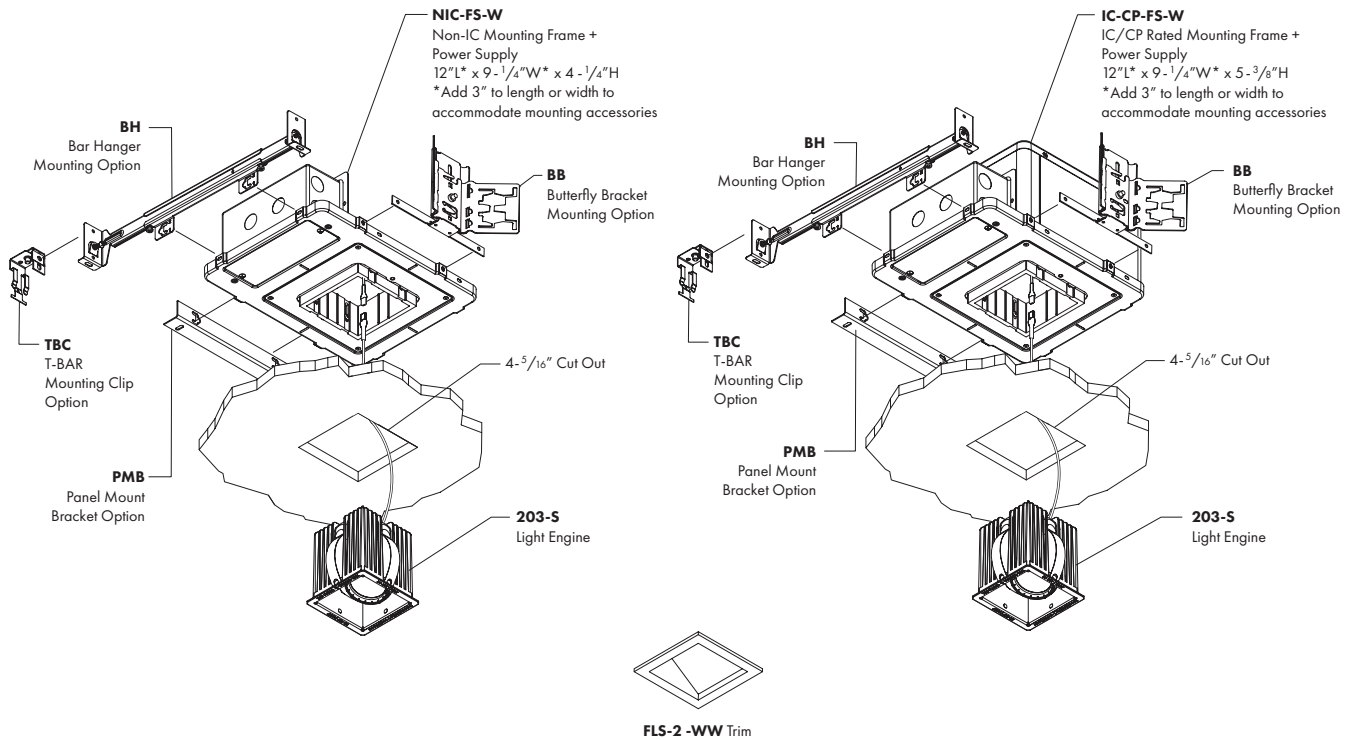
CEILING TYPES: Sheetrock | **CEILING THICKNESS:** 1/2" Min to 1-1/2" Max | **CUT-OUT:** 5" Irregular

203-S + NIC-FS-W and IC-CP-FS-W with FLANGELESS TRIM INSTALLATION for WOOD/STONE CEILINGS



- 1) 203-S Wall Wash SQUARE Light Engine with fixed 20° tilt.
- 2) FLS-2-WW Flanged SQUARE WALL WASH trim.
- 3) NIC-FS-W Type Non-IC housing and power supply for SQUARE light engine and FLANGELESS trim in wood/stone ceiling applications.
- 4) IC-CP-FS-W (shown dashed) Type IC Rated/Air-tight/CCEA approved housing and power supply for SQUARE light engine and FLANGELESS trim in wood/stone ceiling applications.
- 5) Ceiling Material (Wood/Stone) Accommodates ceiling thicknesses from 1/2" (min) to 1-1/2" (max).

203-S + NIC-FS-W and IC-CP-FS-W with FLANGELESS TRIM INSTALLATION for WOOD/STONE CEILINGS



CEILING TYPES: Wood/Stone | **CEILING THICKNESS:** 1/2" Min to 1-1/2" Max | **CUT-OUT:** 4-5/16" x 4-5/16"

203-S w/ FLS-2-WW TRIM - PERFORMANCE SUMMARY

LED	CCT	CRI	R9	Delivered Lumens	System Wattage	Delivered LPW
HI-2700	2700K	92+	61	940	14	67
HI-3000	3000K	92+	60	990	14	71
HI-3500	3500K	92+	61	1028	14	74
HI-4000	4000K	92+	58	1059	14	76
WD	3000-1800K	97+	80	727	15	48
WD2	2800-2200K	95+	74	705	15	47

Performance shown for HI LED with 15°, 25°, 40°, and 60° optic options.

Performance shown for WD LED at 3000K and WD-2 LED at 2800K with 15-NFL-WD, 25-NFL-WD, 40-NFL-WD, and 60-NFL-WD optic options.

LED OUTPUT MULTIPLIERS

LED	HI-2700, HI-3000, HI-3500 & HI-4000 LED				WD & WD-2 LED	
	HI-2700	HI-3000	HI-3500	HI-4000	WD	WD-2
Multiplier	0.95	1.0	1.04	1.07	1.0	0.97

203-S-HI-3000-40 w/ FLS-2-WW TRIM – FOOTCANDLES ON WALL

FIXTURE DISTANCE TO WALL		24"						30"						
FIXTURE CENTERS (SPACING)			24"			30"			30"			36"		
DISTANCE FROM CEILING	1'		7.9	9.2	7.9	7.1	7.8	7.1	2.1	2.2	2.1	1.8	2.1	1.8
	2'		51.4	57.6	51.4	45.7	48.6	45.7	22.9	25.8	22.9	20.8	22.4	20.8
	3'		50.3	56.2	50.3	45.0	50.1	45.0	35.7	40.0	35.7	32.5	35.7	32.5
	4'		33.7	37.1	33.7	30.7	34.4	30.7	30.1	33.6	30.1	27.6	30.9	27.6
	5'		21.2	22.8	21.2	19.6	21.6	19.6	21.6	23.7	21.6	20.0	22.4	20.0
	6'		13.4	14.2	13.4	12.6	13.7	12.6	14.9	16.1	14.9	14.0	15.4	14.0
	7'		8.8	9.2	8.8	8.4	8.9	8.4	10.3	10.9	10.3	9.7	10.6	9.7
	8'		6.0	6.2	6.0	5.7	6.1	5.7	7.2	7.6	7.2	6.9	7.4	6.9
	9'		4.2	4.3	4.2	4.1	4.2	4.1	5.2	5.4	5.2	5.0	5.3	5.0

203-S-WD-40 w/ FLS-2-WW TRIM – FOOTCANDLES ON WALL

FIXTURE DISTANCE TO WALL		24"						30"						
FIXTURE CENTERS (SPACING)			24"			30"			30"			36"		
DISTANCE FROM CEILING	1'		5.8	6.8	5.8	5.2	5.8	5.2	1.5	1.6	1.5	1.3	1.5	1.3
	2'		34.8	39.1	34.8	31.0	33.2	31.0	15.6	17.5	15.6	14.2	15.2	14.2
	3'		34.2	38.2	34.2	30.7	34.2	30.7	24.2	27.1	24.2	22.0	24.3	22.0
	4'		23.4	25.6	23.4	21.3	23.8	21.3	20.5	22.9	20.5	18.8	21.2	18.8
	5'		14.9	16.0	14.9	13.8	15.3	13.8	14.9	16.4	14.9	13.9	15.5	13.9
	6'		9.6	10.2	9.6	9.1	9.8	9.1	10.5	11.3	10.5	9.8	10.8	9.8
	7'		6.4	6.7	6.4	6.1	6.5	6.1	7.3	7.8	7.3	6.9	7.5	6.9
	8'		4.4	4.5	4.4	4.2	4.4	4.2	5.2	5.5	5.2	5.0	5.3	5.0
	9'		3.1	3.2	3.1	3.0	3.1	3.0	3.8	3.9	3.8	3.6	3.9	3.6