

**400 NEW CONSTRUCTION IC/AT RATED ADJUSTABLE LED  
FLS-4 and FLR-4 FLAT TRIMS for FLANGELESS WOOD/STONE  
FRM2-4W-S/R and FRM2-4W-S/R-CP MOUNTING FRAMES**

Project Name	
Date	Type
Prepared By	
Comments	
Catalog # <b>400</b> - - - / - / - - / -	



**eight**  
LIGHTING

526 Portal Street  
Cotati, CA 94931  
USA  
P 707.794.0888  
www.8lighting.com

All No. 8 Lighting fixtures and components are UL Listed to both U.S. and Canadian requirements. No. 8 Lighting trims and lamp modules are protected by one or more U.S. Patents. No. 8 Lighting reserves the right to change details of design, materials, and finish.

© 2023 No. 8 Lighting  
Doc # 91269-13.1



**PRODUCT FEATURES**



**400 w/ FLANGELESS TRIM for WOOD CEILINGS - SPECIFICATION SUMMARY**


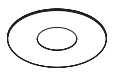


LED Option	Static White				Warm Dimming	
	HI-2-27	HI-2	HI-27	HI	WD	WD-2
Delivered Lumens	1006	1082	964	1037	818	809
System Wattage	14.5	14.5	14	14	15	15
Efficacy	69	75	69	74	56	55
CRI	94	94	94	94	97	97
R9	63	63	60	60	82	78
CCT	2700K	3000K	2700K	3000K	3000-1800K	2800-2200K
Optic Options	10		15, 25, 40		15, 25, 40	
Color Consistency	2-Step				3-Step	
Optical Accessories	Narrow, Medium, Wide, Extra Wide, Linear Spread, and 2400K, 2700K, 3500K Color Filters					
Adjustability	0-35° Tilt, 360° Rotation, Lockable					
Dimming Options	<1% Forward/Reverse Phase (120v), 0.1/1% 0-10v (120-277v), 0.1/1% DALI (120-277v), 0.1/1% EcoSystem (120 or 277v)					
Trim Options	Round/Square Flat					
Finish Options	White, Oil-Rubbed Bronze					
Trim Mounting Options	Flangeless: Wood/Stone Ceiling Applications					
Trim Lens Options	UL Wet Listed - Clear, Soft Focus, Wall Wash					
Mounting Frame Options	New Construction: Type IC Air-Tight, Type IC-CP Rated CCEA Approved Air-Tight					

Performance data shown with FLS-4 Trim.  
Warm Dimming data shown for 3000K and 2800K.  
See Performance Summaries for additional information.

PRODUCT SPECIFIER/PRODUCT ORDER NUMBER

400

HOUSING + LIGHT ENGINE	LED OPTIONS	OPTIC OPTIONS	OPTICAL ACCESSORIES (Optional)	DIMMING OPTIONS	OUTPUT
<b>400</b> Housing + Light Engine for NEW CONSTRUCTION applications. AIRTIGHT and I.C. Rated. Adjustable LED with 0-35° Tilt and 360° Rotation.	<b>HI-27</b> 2700K White LED <b>HI</b> 3000K White LED <b>HI-2-27*</b> 2700K White LED <b>HI-2*</b> 3000K White LED <b>WD</b> 3000-1800K Warm Dim LED <b>WD-2</b> 2800-2200K Warm Dim LED *For use with 10° optic only.	<b>10*</b> 10° Very Narrow Spot <b>15</b> 15° Narrow Spot <b>25</b> 25° Narrow Flood <b>40</b> 40° Flood *For use with HI-2 LED only.	<b>NSP</b> Narrow Softening Lens <b>NFL</b> Medium Softening Lens <b>FL</b> Wide Softening Lens <b>WFL</b> Extra Wide Softening Lens <b>LS</b> Linear Spread Lens <b>CF24*</b> 2400K Color Filtering Lens <b>CF27*</b> 2700K Color Filtering Lens <b>CF35*</b> 3500K Color Filtering Lens *For use with HI and HI-2 3000K LED options only.	<b>PR1-4</b> Premium Forward or Reverse-Phase <1% Dimming <b>EL1-4</b> EldoLED 0-10v 1% Dimming <b>EL1-01-4</b> EldoLED 0-10v 0.1% Dimming <b>EL2-4</b> EldoLED DALI 1% Dimming <b>EL2-01-4</b> EldoLED 0.1% DALI Dimming <b>LU2-4</b> Lutron Hi-Lume LDE1 EcoSystem 1% Dimming <b>LU4-4</b> Lutron Hi-Lume PEQ0E EcoSystem 0.1% Dimming	<b>1000</b> Standard output <b>1000-WD</b> Standard output – Warm Dimming

TRIM OPTIONS	TRIM FINISH	TRIM ACCESSORIES (Optional)	MOUNTING FRAME OPTIONS	MOUNTING ACCESSORIES
 <p><b>FLS-4</b> 5" SQUARE FLAT trim with 2" Aperture</p>  <p><b>FLR-4</b> 5" ROUND FLAT trim with 2" Aperture</p>	 <p><b>WH</b> WHITE</p>  <p><b>OB*</b> OIL-RUBBED BRONZE* *Specialty finish.</p>	<b>CL4*</b> CLEAR lens <b>SF4*</b> SOFT FOCUS lens <b>WW-4*</b> WALL WASH accessory *UL Wet listed.	<b>FRM2-4W-5</b> MOUNTING FRAME for FLANGELESS MOUNTING SQUARE FLAT trim in Wood/Stone ceilings. <b>FRM2-4W-R</b> MOUNTING FRAME for FLANGELESS MOUNTING ROUND FLAT trim in Wood/Stone ceilings. <b>FRM2-4W-S-CP</b> MOUNTING FRAME for FLANGELESS MOUNTING SQUARE FLAT trim in Wood/Stone ceilings. CCEA plenum rated for City of Chicago environmental air spaces and rated for direct contact with spray-foam insulation. <b>FRM2-4W-R-CP</b> MOUNTING FRAME for FLANGELESS MOUNTING ROUND FLAT trim in Wood/Stone ceilings. CCEA plenum rated for City of Chicago environmental air spaces and rated for direct contact with spray-foam insulation.	<b>BH</b> Bar Hangers for joist mounting <b>BB</b> Butterfly Brackets for c-channel or bar mounting <b>TBC-BH</b> T-Bar Mounting Clips + Bar Hangers for T-Bar mounting <b>PMB</b> Panel Mounting Brackets (set of two) for direct mounting to wood panels

**Housing, Mounting Option, and Installation Notes**

**400** Patented fixture assembly for NEW CONSTRUCTION applications. Mounting frames include power supply, junction box, and mounting accessories. Accommodates a wide range of ceiling thicknesses without affecting aiming or adjustment. Airtight and IC-Rated for direct contact with standard or spray-foam\* thermal insulation with a max combined R-Value of R42 (may also be installed in Non-IC applications). Meets Washington State Airtight Standard WAC 51-11-0502 and in accordance with ASTM E283 to reduce energy loss. CCEA\* plenum rated for City of Chicago environmental air spaces. \*For spray-foam or CCEA applications, specify **FRM2-4W-S/R-CP** mounting frame. For installations in direct contact with thermal insulation, ambient temperatures in ceiling space should not exceed 25°C (77°F) during normal operation. For installations where insulation is held back a minimum of 3" from sides and top, ambient temperatures in ceiling space should not exceed 40°C (104°F) during normal operation.

**Light Engine, LED, Optic Option, and Accessory Notes**

Fully adjustable light engine features patented tool-free adjustment mechanism. Use for adjustable accent, wall wash\*, and general lighting applications. \*For wall washing: specify 40° optic option with **HI**, **WD**, or **WD-2** LED, or 10° optic option and **FL** lens with **HI-2 LED**. Requires **WW-4** wall wash accessory. To ensure fixture to fixture color consistency, use of the same LED option with adjacent fixtures is recommended. One field interchangeable optic option included standard. Up to two additional optical accessories can be accommodated.

**Dimming and Output Option Notes**

0-10v dimming options are configured for linear control. DALI dimming options are configured for logarithmic control. No.8 Lighting conducts extensive testing to establish compatibility with many dimmer types. For a complete list of compatible dimmers, see [8lighting.com/resources-downloads](http://8lighting.com/resources-downloads). Outputs vary depending on LED type, trim type, and optical accessories used. For photometric files in PDF and IES formats, see: [8lighting.com/400-series-photometry](http://8lighting.com/400-series-photometry).

**Trim Finish Notes**

White trim finish is field paintable to match ceiling color. Lot variations may occur with specialty finishes. Ordering ALL trim kits at the same time is recommended to minimize finish variations.

**Trim Accessory Notes**

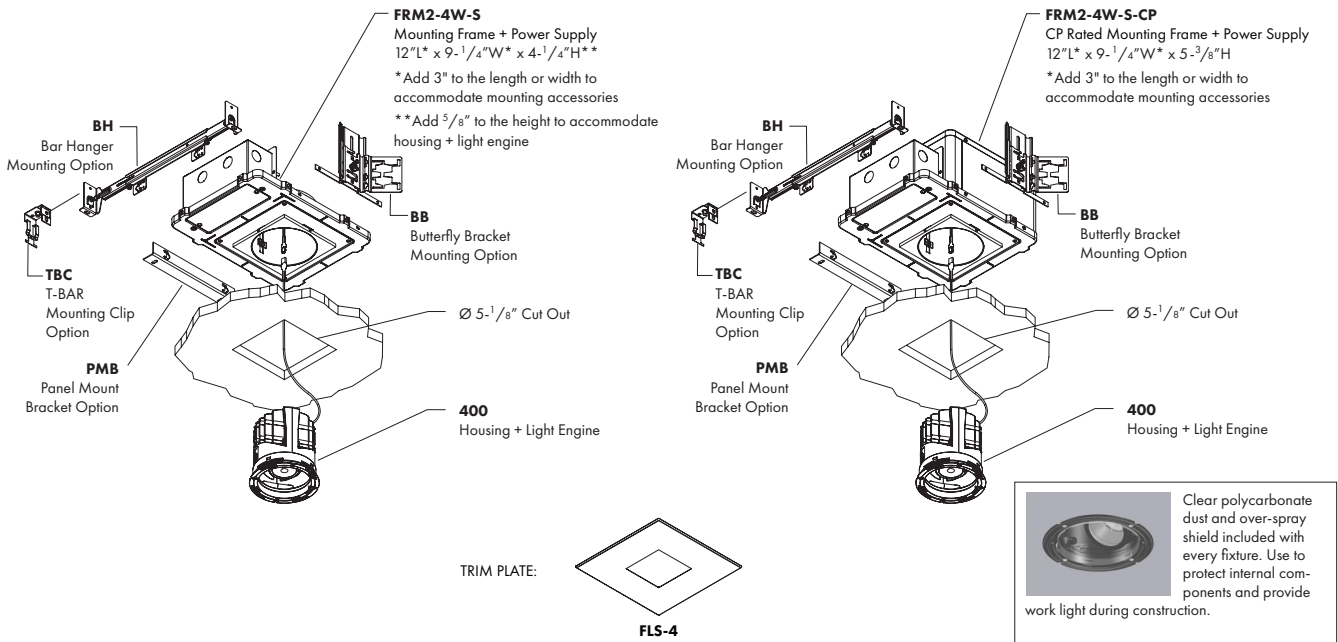
Trim lens accessories are factory installed into trim plates and are UL WET LISTED and rated for use in DRY, DAMP, or WET locations (covered ceiling applications only). Approved for use in residential steam applications. Not for use in commercial steam applications.

**Warranty**

All No. 8 Lighting products are covered by a 5 year limited warranty. Products installed in residential steam applications are covered by a 2 year limited warranty. For specific warranty details and limitations, see: [8lighting.com/resources-downloads](http://8lighting.com/resources-downloads).

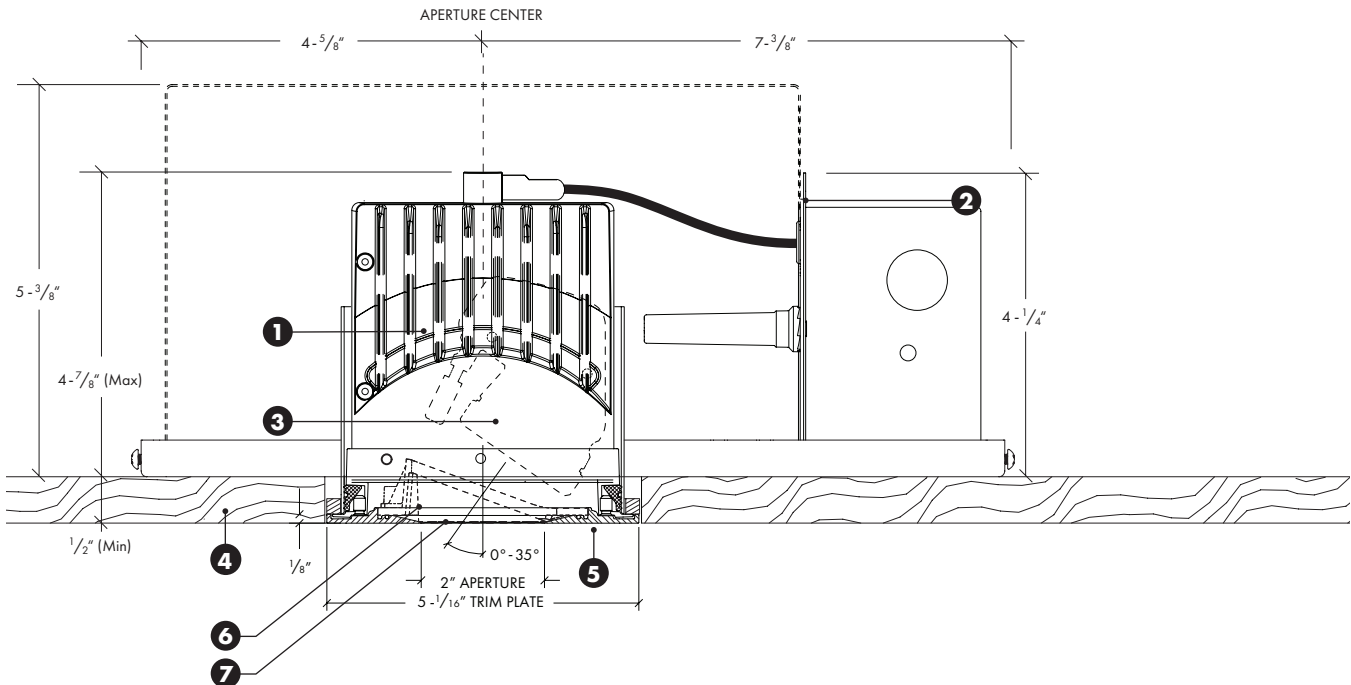
JA8-2022 CA Title 24 Compliant.

**400 + FRM2-4W-S / FRM2-4W-S-CP NEW CONSTRUCTION MOUNTING FRAMES with FLS-4 FLAT TRIM FLANGELESS MOUNTED**



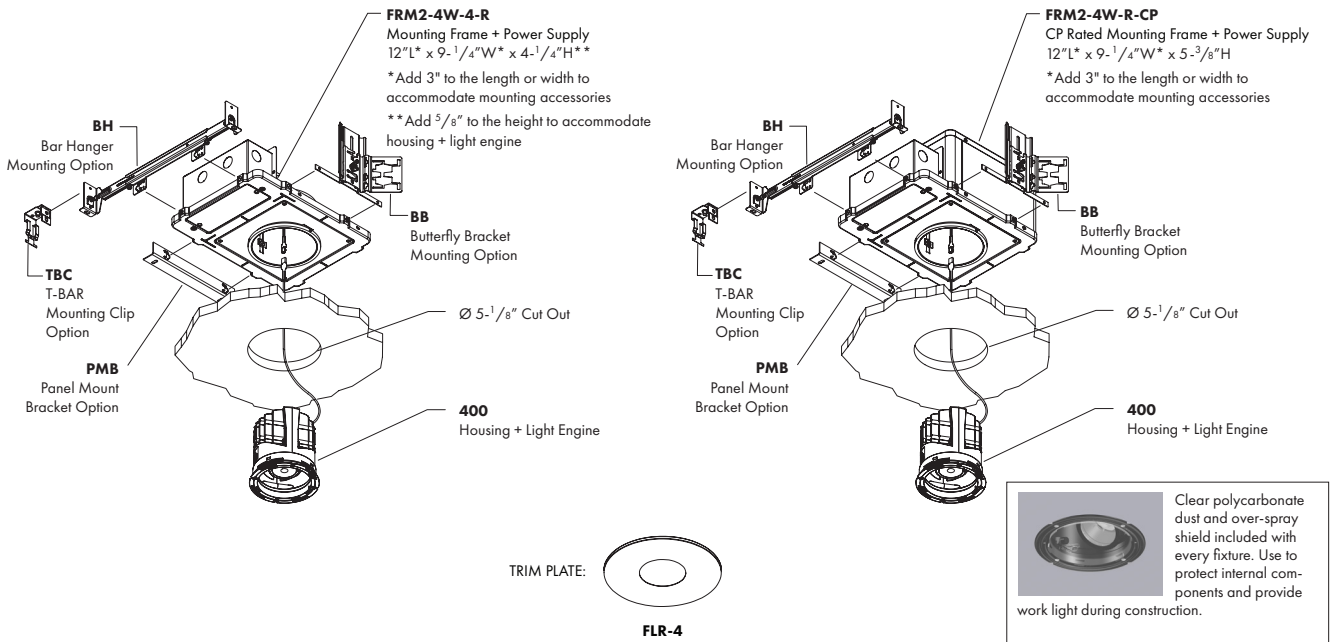
CEILING TYPES: Wood/Stone | CEILING THICKNESS: 1/2" Min to 2-1/4" Max | CUT-OUT: 5-1/8"

**400 + FRM2-4W-S / FRM2-4W-S-CP NEW CONSTRUCTION MOUNTING FRAMES with FLS-4 FLAT TRIM FLANGELESS MOUNTED**



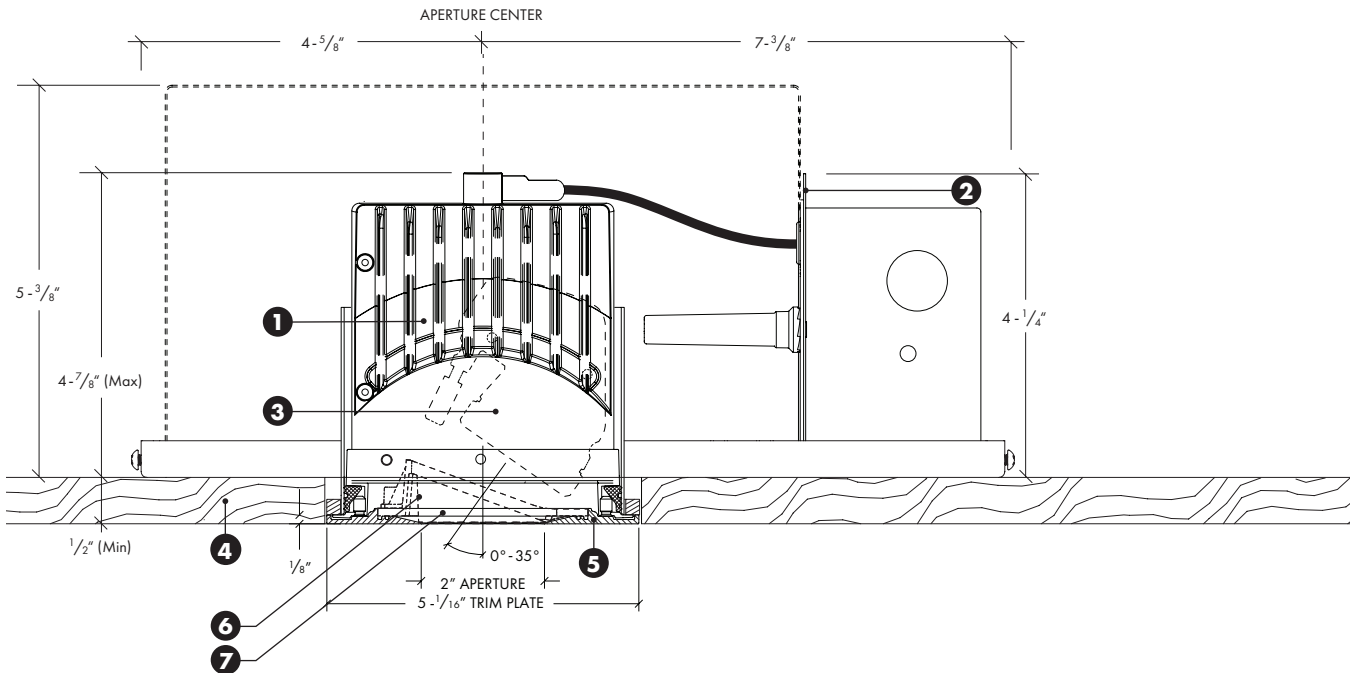
- 1) 400 NEW CONSTRUCTION Housing + Light Engine Airtight and IC Rated.
- 2) FRM2-4W-S / FRM2-4W-S-CP New Construction mounting frame and power supply for FLANGELESS mounting SQUARE FLAT trim plate. For CCEA and spray foam ceiling applications, use FRM2-4W-S-CP frame (shown dashed).
- 3) Adjustable LED & Optics Features 0° - 35° tilt and 360° rotation with tool-less locking.
- 4) Ceiling Material (Wood/Stone) Accommodates ceiling thicknesses from 1/2" (min) to 2-1/4" (max) without affecting aiming or rotation.
- 5) FLS-4 SQUARE FLAT trim plate features unique magnetic attachment.
- 6) WW-4 (optional) Wall Wash Accessory rated for use in DRY, DAMP, or WET locations (covered ceiling applications only).
- 7) CL4/SF4 (optional) Clear or Soft Focus lens rated for use in DRY, DAMP, or WET locations (covered ceiling applications only).

**400 + FRM2-4W-R / FRM2-4W-R-CP NEW CONSTRUCTION MOUNTING FRAMES with FLR-4 FLAT TRIM FLANGELESS MOUNTED**



**CEILING TYPES:** Wood/Stone | **CEILING THICKNESS:** 1/2" Min to 2-1/4" Max | **CUT-OUT:** 5-1/8"

**400 + FRM2-4W-R / FRM2-4W-R-CP NEW CONSTRUCTION MOUNTING FRAMES with FLR-4 FLAT TRIM FLANGELESS MOUNTED**



- 1) **400 Housing + Light Engine** Airtight and IC Rated.
- 2) **FRM2-4W-R / FRM2-4W-R-CP** New Construction mounting frame and power supply for FLANGELESS mounting ROUND FLAT trim plate. For CCEA and spray foam ceiling applications, use FRM2-4W-R-CP frame (shown dashed).
- 3) **Adjustable LED & Optics** Features 0° - 35° tilt and 360° rotation with tool-less locking.
- 4) **Ceiling Material** (Wood/Stone) Accommodates ceiling thicknesses from 1/2" (min) to 2-1/4" (max) without affecting aiming or rotation.
- 5) **FLR-4** ROUND FLAT trim plate features unique magnetic attachment.
- 6) **WW-4** (optional) Wall Wash Accessory rated for use in DRY, DAMP, or WET locations (covered ceiling applications only).
- 7) **CL4/SF4** (optional) Clear or Soft Focus lens rated for use in DRY, DAMP, or WET locations (covered ceiling applications only).

#### 400 SERIES w/ FS/FLS/FLS-4-BV TRIM - PERFORMANCE SUMMARY

LED	OUTPUT	CCT	CRI	R9	Delivered Lumens	System Wattage	Delivered LPW
HI-27	1000	2700K	94	60	819-964	14	59-69
HI	1000	3000K	94	60	881-1037	14	63-74
HI-2-27	1000	2700K	94	63	1006	14.5	69
HI-2	1000	3000K	94	63	1082	14.5	75
WD	1000-WD	3000-1800K	97	82	694-818	15	48-56
WD-2	1000-WD	2800-2200K	97	78	686-809	15	47-55

Performance summary for HI LED with 15°, 25°, and 40° optic options and HI-2 LED with 10° optic option.

Performance summary for WD LED at 3000K and WD-2 LED at 2800K with 15°, 25°, and 40° optic options.

#### 400 SERIES w/ FR/FLR/FLR-4-BV TRIM - PERFORMANCE SUMMARY

LED	OUTPUT	CCT	CRI	R9	Delivered Lumens	System Wattage	Delivered LPW
HI-27	1000	2700K	94	60	811-955	14	58-68
HI	1000	3000K	94	60	872-1027	14	62-73
HI-2-27	1000	2700K	94	63	1004	14.5	69
HI-2	1000	3000K	94	63	1080	14.5	74
WD	1000-WD	3000-1800K	97	81	708-840	15	48-58
WD-2	1000-WD	2800-2200K	97	78	700-835	15	48-57

Performance summary for HI LED with 15°, 25°, and 40° optic options and HI-2 LED with 10° optic option.

Performance summary for WD LED at 3000K and WD-2 LED at 2800K with 15°, 25°, and 40° optic options.

#### 400 SERIES w/ FS/FLS/FLS-4-BV TRIM + WW-4 WALL WASH ACCESSORY - PERFORMANCE SUMMARY

LED	OUTPUT	CCT	CRI	R9	Delivered Lumens	System Wattage	Delivered LPW
HI-27	1000	2700K	94	60	652	14	47
HI	1000	3000K	94	60	701	14	50
HI-2-27	1000	2700K	94	64	504	14.5	35
HI-2	1000	3000K	94	64	542	14.5	37
WD	1000-WD	3000-1800K	97	82	548	15	38
WD-2	1000-WD	2800-2200K	97	80	543	15	37

Performance summary for HI LED with 40° optic option and HI-2 LED with 10° optic + FL lens option.

Performance summary for WD LED at 3000K and WD-2 LED at 2800K with 40° optic option.

#### 400 SERIES w/ FR/FLR/FLR-4-BV TRIM + WW-4 WALL WASH ACCESSORY - PERFORMANCE SUMMARY

LED	OUTPUT	CCT	CRI	R9	Delivered Lumens	System Wattage	Delivered LPW
HI-27	1000	2700K	94	60	659	14	47
HI	1000	3000K	94	60	709	14	51
HI-2-27	1000	2700K	94	64	509	14.5	35
HI-2	1000	3000K	94	64	547	14.5	38
WD	1000-WD	3000-1800K	97	82	584	15	40
WD-2	1000-WD	2800-2200K	97	80	560	15	38

Performance summary for HI LED with 40° optic option and HI-2 LED with 10° optic + FL lens option.

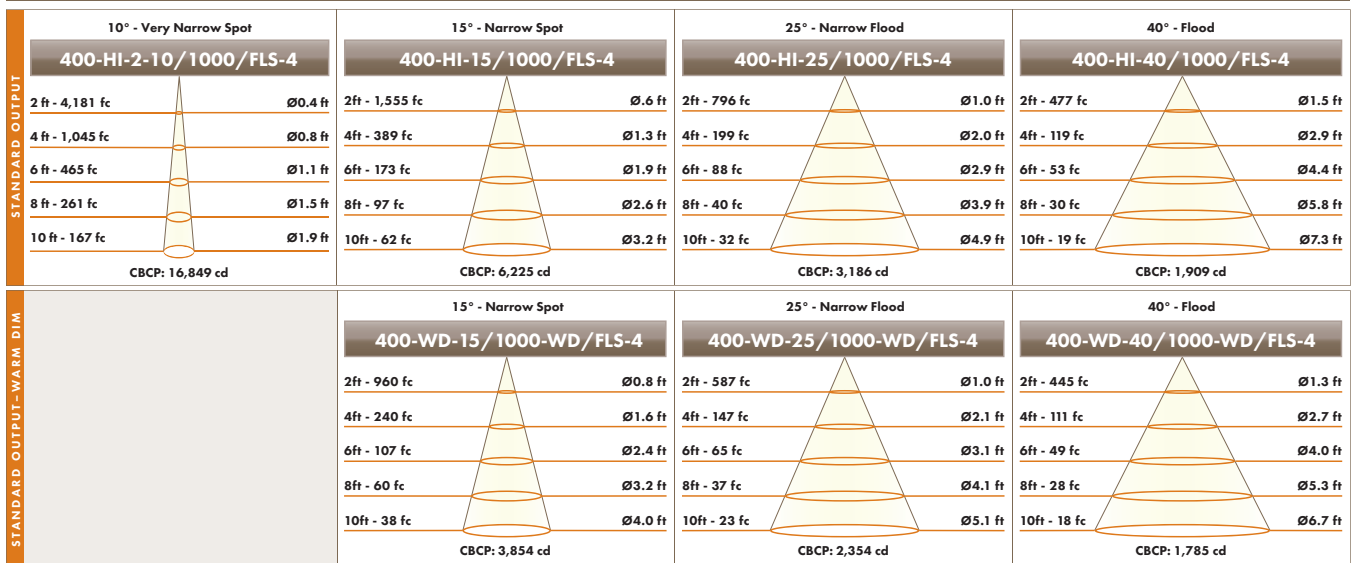
Performance summary for WD LED at 3000K and WD-2 LED at 2800K with 40° optic option.

## 400 SERIES - OPTICAL OPTIONS AND ACCESSORY PERFORMANCE SUMMARY

OPTIC OPTIONS	LED OPTIONS	BEAM ENHANCING LENS (OPTIONAL)*				
		+ NSP	+ NFL	+ FL	+ WFL	+ LS
10° Very Narrow Spot	HI-2	14°	25°	41°	44°	14° x 26°
15° Narrow Spot	HI	21°	30°	48°	56°	21° x 35°
15° Narrow Spot	WD/WD-2	24°	32°	49°	56°	24° x 46°
25° Narrow Flood	HI	28°	35°	51°	59°	29° x 47°
25° Narrow Flood	WD/WD-2	29°	35°	51°	58°	31° x 44°
40° Flood	HI	41°	44°	59°	66°	42° x 53°
40° Flood	WD/WD-2	37°	42°	55°	62°	39° x 50°

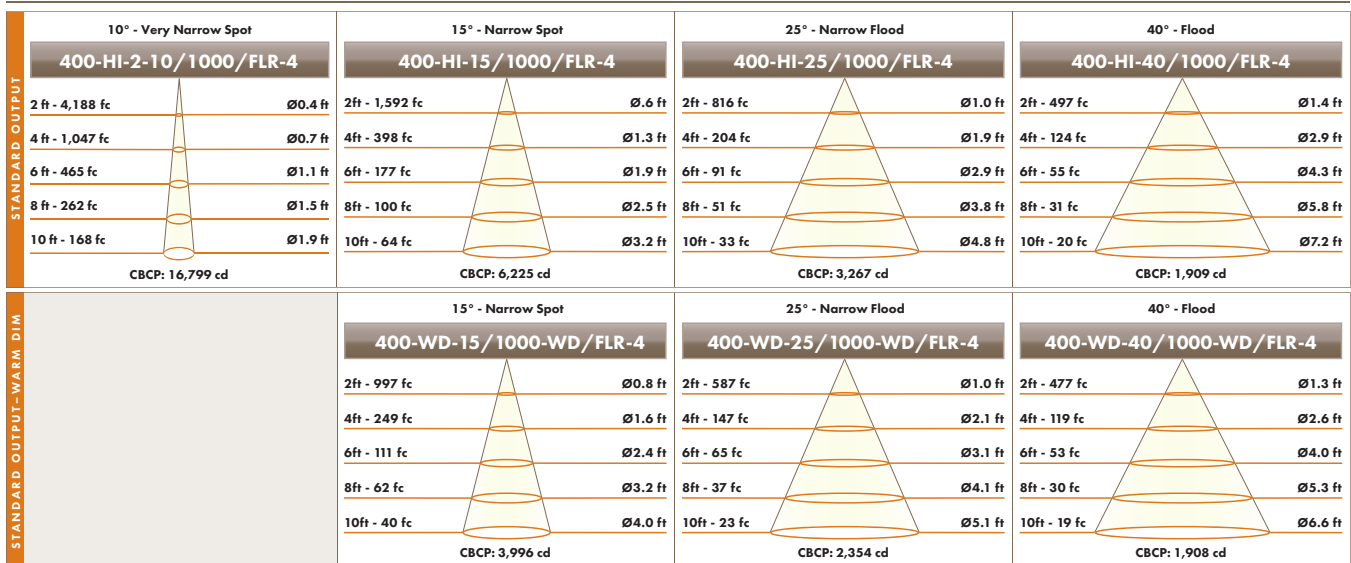
\*Beam enhancing lens used in combination with 10°, 15°, 25°, or 40° optic to achieve desired beam spread.

## 400 SERIES w/ FS/FLS/FLS-4-BV TRIM - CONE OF LIGHT DIAGRAMS



Performance shown for 3000K. Output varies by CCT.

## 400 SERIES w/ FR/FLR/FLR-4-BV TRIM - CONE OF LIGHT DIAGRAMS



Performance shown for 3000K. Output varies by CCT.

**400-HI-40 w/ FS/FLS/FLS-BV TRIM + WW-4 WALL WASH ACCESSORY - FOOTCANDLES ON WALL**

DISTANCE TO WALL		2.0 ft						2.5 ft						
ON CENTER SPACING			2.0 ft			2.5 ft			2.5 ft			3.0 ft		
	DISTANCE FROM CEILING	0.5 ft	0.4	3.0	0.4	0.4	0.2	0.4	0.1	0.1	0.1	0.1	0.1	0.1
		1.5 ft	28.9	31.1	28.9	25.8	25.3	25.8	13.3	13.9	13.3	12.1	11.3	12.1
		2.5 ft	32.7	36.4	32.7	29.2	32.3	29.2	22.2	24.3	22.2	20.2	21.5	20.2
		3.5 ft	21.9	23.8	21.9	19.9	22.4	19.9	19.0	21.1	19.0	17.3	19.6	17.3
		4.5 ft	13.3	14.2	13.3	12.5	13.6	12.5	13.3	14.5	13.3	12.4	13.8	12.4
		5.5 ft	8.3	8.7	8.3	7.9	8.4	7.9	9.0	9.6	9.0	8.5	9.2	8.5
		6.5 ft	5.4	5.6	5.4	5.2	5.5	5.2	6.1	6.4	6.1	5.8	6.3	5.8
		7.5 ft	3.6	3.7	3.6	3.5	3.7	3.5	4.2	4.4	4.2	4.1	4.3	4.1
		8.5 ft	2.6	2.6	2.6	2.5	2.6	2.5	3.0	3.2	3.0	3.0	3.1	3.0
		9.5 ft	1.9	1.9	1.9	1.8	1.9	1.8	2.2	2.3	2.2	2.2	2.3	2.2

Note: With HI LED option, use 40° optic and 20° aiming angle for optimal performance. Data shown for 3000K CCT.

**400-HI-2-10-FL w/ FS/FLS/FLS-BV TRIM + WW-4 WALL WASH ACCESSORY - FOOTCANDLES ON WALL**

DISTANCE TO WALL		2.0 ft						2.5 ft						
ON CENTER SPACING			2.0 ft			2.5 ft			2.5 ft			3.0 ft		
	DISTANCE FROM CEILING	0.5 ft	0.4	0.4	0.4	0.4	0.3	0.4	0.1	0.1	0.1	0.1	0.1	0.1
		1.5 ft	18.3	19.3	18.3	16.7	14.9	16.7	7.5	7.6	7.5	7.0	5.9	7.0
		2.5 ft	23.7	26.3	23.7	21.2	22.8	21.2	15.4	17.0	15.4	14.1	14.6	14.1
		3.5 ft	16.7	18.2	16.7	15.1	16.7	15.1	14.0	15.5	14.0	12.8	14.1	12.8
		4.5 ft	10.5	11.2	10.5	9.8	10.6	9.8	10.2	11.1	10.2	9.5	10.4	9.5
		5.5 ft	6.7	7.0	6.7	6.3	6.7	6.3	7.0	7.5	7.0	6.6	7.2	6.6
		6.5 ft	4.3	4.5	4.3	4.2	4.4	4.2	4.9	5.1	4.9	4.6	4.9	4.6
		7.5 ft	3.0	3.0	3.0	2.9	3.0	2.9	3.4	3.6	3.4	3.3	3.5	3.3
		8.5 ft	2.1	2.1	2.1	2.0	2.1	2.0	2.5	2.5	2.5	2.4	2.5	2.4
		9.5 ft	1.5	1.5	1.5	1.5	1.5	1.5	1.8	1.9	1.8	1.8	1.8	1.8

Note: With HI-2 LED option, use 10° optic + FL lens and 20° aiming angle for optimal performance. Data shown for 3000K CCT.

**400-WD-40 w/ FS/FLS/FLS-BV TRIM + WW-4 WALL WASH ACCESSORY - FOOTCANDLES ON WALL**

DISTANCE TO WALL		2.0 ft						2.5 ft						
ON CENTER SPACING			2.0 ft			2.5 ft			2.5 ft			3.0 ft		
	DISTANCE FROM CEILING	0.5 ft	0.2	0.2	0.2	0.2	0.1	0.2	0.1	0.1	0.1	0.1	0.1	
		1.5 ft	17.0	18.6	17.0	15.4	15.0	15.4	7.2	7.5	7.2	6.8	6.1	6.8
		2.5 ft	22.9	26.3	22.9	20.5	23.0	20.5	14.3	16.2	14.3	13.1	14.1	13.1
		3.5 ft	17.0	19.4	17.0	15.2	17.9	15.2	13.8	16.0	13.8	12.6	14.6	12.6
		4.5 ft	10.9	12.0	10.9	10.0	11.4	10.0	10.4	11.9	10.4	9.6	11.2	9.6
		5.5 ft	7.0	7.5	7.0	6.5	7.2	6.5	7.3	8.1	7.3	6.8	7.8	6.8
		6.5 ft	4.6	4.8	4.6	4.4	4.7	4.4	5.1	5.5	5.1	4.8	5.3	4.8
		7.5 ft	3.1	3.3	3.1	3.0	3.2	3.0	3.6	3.8	3.6	3.4	3.7	3.4
		8.5 ft	2.2	2.3	2.2	2.1	2.2	2.1	2.6	2.7	2.6	2.5	2.7	2.5
		9.5 ft	1.6	1.7	1.6	1.6	1.6	1.6	1.9	2.0	1.9	1.9	2.0	1.9

Note: With WD or WD-2 LED option, use 40° optic and 20° aiming angle for optimal performance. Data shown for 3000K CCT.

**400-HI-40 w/ FR/FLR/FLR-BV TRIM + WW-4 WALL WASH ACCESSORY - FOOTCANDLES ON WALL**

DISTANCE TO WALL		2.0 ft						2.5 ft						
ON CENTER SPACING			2.0 ft			2.5 ft			2.5 ft			3.0 ft		
	DISTANCE FROM CEILING	0.5 ft	0.3	0.2	0.3	0.3	0.1	0.3	0.1	0.1	0.1	0.1	0.1	0.1
		1.5 ft	28.1	31.3	28.1	25.4	25.8	25.4	12.9	13.9	12.9	12.1	11.4	12.1
		2.5 ft	32.1	36.9	32.1	28.6	33.0	28.6	21.6	24.5	21.6	19.7	21.8	19.7
		3.5 ft	21.9	24.6	21.9	19.7	23.2	19.7	18.8	21.6	18.8	17.0	20.0	17.0
		4.5 ft	13.6	14.8	13.6	12.5	14.3	12.5	13.4	15.0	13.4	12.3	14.3	12.3
		5.5 ft	8.6	9.1	8.6	8.0	8.9	8.0	9.1	10.0	9.1	8.5	9.6	8.5
		6.5 ft	5.6	5.9	5.6	5.3	5.8	5.3	6.3	6.7	6.3	5.9	6.6	5.9
		7.5 ft	3.8	4.0	3.8	3.7	3.9	3.7	4.4	4.7	4.4	4.2	4.6	4.2
		8.5 ft	2.7	2.8	2.7	2.6	2.8	2.6	3.2	3.3	3.2	3.1	3.3	3.1
		9.5 ft	2.0	2.0	2.0	1.9	2.0	1.9	2.4	2.4	2.4	2.3	2.4	2.3

Note: With HI LED option, use 40° optic and 20° aiming angle for optimal performance. Data shown for 3000K CCT.

**400-HI-2-10-FL w/ FR/FLR/FLR-BV TRIM + WW-4 WALL WASH ACCESSORY - FOOTCANDLES ON WALL**

DISTANCE TO WALL		2.0 ft						2.5 ft						
ON CENTER SPACING			2.0 ft			2.5 ft			2.5 ft			3.0 ft		
	DISTANCE FROM CEILING	0.5 ft	0.5	0.4	0.5	0.5	0.3	0.5	0.2	0.2	0.2	0.2	0.2	0.2
		1.5 ft	19.5	21.2	19.5	17.6	16.9	17.6	8.4	8.7	8.4	7.8	7.1	7.8
		2.5 ft	23.8	26.9	23.8	21.2	23.7	21.2	15.7	17.6	15.7	14.3	15.6	14.3
		3.5 ft	16.7	18.4	16.7	15.2	17.1	15.2	14.1	15.8	14.1	12.9	14.6	12.9
		4.5 ft	10.6	11.3	10.6	9.8	10.8	9.8	10.2	11.2	10.2	9.5	10.7	9.5
		5.5 ft	6.7	7.1	6.7	6.4	6.8	6.4	7.1	7.6	7.1	6.7	7.3	6.7
		6.5 ft	4.4	4.6	4.4	4.2	4.5	4.2	4.9	5.2	4.9	4.7	5.0	4.7
		7.5 ft	3.0	3.1	3.0	2.9	3.0	2.9	3.5	3.6	3.5	3.3	3.5	3.3
		8.5 ft	2.1	2.2	2.1	2.1	2.1	2.1	2.5	2.6	2.5	2.4	2.5	2.4
		9.5 ft	1.5	1.6	1.5	1.5	1.6	1.5	1.8	1.9	1.8	1.8	1.9	1.8

Note: With HI-2 LED option, use 10° optic + FL lens and 20° aiming angle for optimal performance. Data shown for 3000K CCT.

**400-WD-40 w/ FR/FLR/FLR-BV TRIM + WW-4 WALL WASH ACCESSORY - FOOTCANDLES ON WALL**

DISTANCE TO WALL		2.0 ft						2.5 ft						
ON CENTER SPACING			2.0 ft			2.5 ft			2.5 ft			3.0 ft		
	DISTANCE FROM CEILING	0.5 ft	0.3	0.2	0.3	0.3	0.2	0.3	0.1	0.1	0.1	0.1	0.1	
		1.5 ft	20.7	23.1	20.7	18.6	18.3	18.6	9.1	10.0	9.1	8.4	8.9	8.4
		2.5 ft	26.5	30.3	26.5	23.5	26.4	23.5	17.0	19.2	17.0	15.4	16.6	15.4
		3.5 ft	19.0	21.2	19.0	17.0	19.6	17.0	15.8	18.0	15.8	14.3	16.4	14.3
		4.5 ft	12.0	12.9	12.0	11.1	12.3	11.1	11.6	12.9	11.6	10.7	12.2	10.7
		5.5 ft	7.6	8.0	7.6	7.2	7.7	7.2	8.0	8.7	8.0	7.5	8.3	7.5
		6.5 ft	5.0	5.2	5.0	4.8	5.1	4.8	5.6	5.9	5.6	5.3	5.7	5.3
		7.5 ft	3.4	3.5	3.4	3.3	3.4	3.3	3.9	4.1	3.9	3.8	4.0	3.8
		8.5 ft	2.4	2.5	2.4	2.3	2.4	2.3	2.8	2.9	2.8	2.7	2.9	2.7
		9.5 ft	1.7	1.8	1.7	1.7	1.8	1.7	2.1	2.2	2.1	2.0	2.1	2.0

Note: With WD or WD-2 LED option, use 40° optic and 20° aiming angle for optimal performance. Data shown for 3000K CCT.