

400-R REMODEL IC/AT RATED ADJUSTABLE LED FS-4 and FR-4 FLANGELESS TRIMS for SHEETROCK

Project Name	
Date	Type
Prepared By	
Comments	
Catalog # 400-R - - - / - - / -	



eight
LIGHTING

526 Portal Street
Cotati, CA 94931
USA
P 707.794.0888
www.8lighting.com

All No. 8 Lighting fixtures and components are UL Listed to both U.S. and Canadian requirements. No. 8 Lighting trims and lamp modules are protected by one or more U.S. Patents. No. 8 Lighting reserves the right to change details of design, materials, and finish.

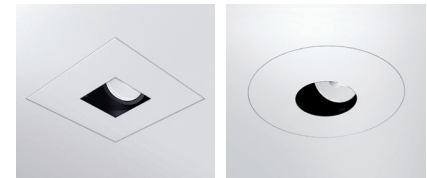
© 2023 No. 8 Lighting
Doc # 91262-13.1



PRODUCT FEATURES



400-R
HOUSING + LIGHT ENGINE + POWER SUPPLY



400 SERIES TRIMS
FLANGELESS for SHEETROCK

400-R w/ FLANGELESS TRIM for SHEETROCK CEILINGS - SPECIFICATION SUMMARY



LED Option	Static White				Warm Dimming	
	HI-2-27	HI-2	HI-27	HI	WD	WD-2
Delivered Lumens	1006	1082	964	1037	818	809
System Wattage	14.5	14.5	14	14	15	15
Efficacy	69	75	69	74	56	55
CRI	94	94	94	94	97	97
R9	63	63	60	60	82	78
CCT	2700K	3000K	2700K	3000K	3000-1800K	2800-2200K
Optic Options	10		15, 25, 40		15, 25, 40	
Color Consistency	2-Step				3-Step	
Optical Accessories	Narrow, Medium, Wide, Extra Wide, Linear Spread, and 2400K, 2700K, 3500K Color Filters					
Adjustability	0-35° Tilt, 360° Rotation, Lockable					
Dimming Options	INTEGRAL: <1% Forward/Reverse Phase (120v), 0.1/1% 0-10v (120-277v), 0.1/1% DALI (120-277v), 0.1/1% EcoSystem (120 or 277v) REMOTE: <1% Forward/Reverse Phase (120v), 0.1/1% 0-10v (120-277v), 0.1/1% DALI (120-277v), 1% EcoSystem (120 or 277v)					
Trim Options	Round/Square Flat					
Finish Options	White					
Trim Mounting Options	Flangeless: Sheetrock Ceiling Applications					
Trim Lens Options	UL Wet Listed - Clear, Soft Focus, Wall Wash					
Housing Options	Remodel: Type IC Air-Tight					

Performance data shown with FS-4 Trim.
Warm Dimming data shown for 3000K and 2800K.
See Performance Summaries for additional information.

PRODUCT SPECIFIER/PRODUCT ORDER NUMBER

400-R

HOUSING + LIGHT ENGINE + POWER SUPPLY	REMOTE OPTION*	LED OPTIONS	OPTIC OPTIONS	OPTICAL ACCESSORIES (Optional)	DIMMING OPTIONS	REMOTE OPTION*	OUTPUT
400-R Housing + Light Engine + Power Supply for REMODEL applications. AIRTIGHT and I.C. Rated. Adjustable LED with 0-35° Tilt and 360° Rotation.	RT REMOTE Mounted Power Supply *Leave blank for integral dimming options.	HI-27 2700K White LED HI 3000K White LED HI-2-27* 2700K White LED HI-2* 3000K White LED WD 3000-1800K Warm Dim LED WD-2 2800-2200K Warm Dim LED *For use with 10° optic only.	10* 10° Very Narrow Spot 15 15° Narrow Spot 25 25° Narrow Flood 40 40° Flood *For use with HI-2 LED only.	NSP Narrow Softening Lens NFL Medium Softening Lens FL Wide Softening Lens WFL Extra Wide Softening Lens LS Linear Spread Lens CF24* 2400K Color Filtering Lens CF27* 2700K Color Filtering Lens CF35* 3500K Color Filtering Lens *For use with HI and HI-2 3000K LED options only.	PR1-4-R Premium Forward or Reverse-Phase <1% Dimming EL1-4-R EldoLED 0-10v 1% Dimming EL1-01-4-R EldoLED 0-10v 0.1% Dimming EL2-4-R EldoLED DALI 1% Dimming EL2-01-4-R EldoLED 0.1% DALI Dimming LU2-4-R Lutron Hi-Lume LDE1 EcoSystem 1% Dimming LU4-4-R* Lutron Hi-Lume PEQOE EcoSystem 0.1% Dimming *Not available with RT remote option.	RT REMOTE Mounted Power Supply *Leave blank for integral dimming options.	1000 Standard output 1000-WD Standard output – Warm Dimming

TRIM OPTIONS	TRIM ACCESSORIES (Optional)
FS-4-WH Flangeless SQUARE 2" Aperture WHITE 	CL4* CLEAR lens SF4* SOFT FOCUS lens WW-4* WALL WASH accessory *UL Wet listed.
FR-4-WH Flangeless ROUND 2" Aperture WHITE 	

Maximum REMOTE Driver-to-LED Light Engine Wire Length			
Driver Model			Wire Gauge
PR1/EL1/EL1-01/EL2/EL2-01-4-R	LU2-4-R	LU2-4-R	
RT-1000/RT-1000-WD	RT-1000-WD	RT-1000	
8 ft (2.5 m)		4 ft (1.2 m)	24 AWG (0.2 mm ²)
13 ft (4 m)		6 ft (1.8 m)	22 AWG (0.34 mm ²)
20 ft (6 m)		10 ft (3 m)	20 AWG (0.5 mm ²)
30 ft (9 m)		15 ft (4.5 m)	18 AWG (.75 mm ²)
35 ft (10.5 m)		25 ft (7.5 m)	16 AWG (1.5 mm ²)
50 ft (15 m)		40 ft (12 m)	14 AWG (2.5 mm ²)
100 ft (30 m)		60 ft (18 m)	12 AWG (4.0 mm ²)
Wire Type: Stranded Class 2 wire (supplied by others)			

Housing, Mounting Option, and Installation Notes

400-R Patented fixture assembly for REMODEL applications. Includes INTEGRAL power supply (standard) or **RT** REMOTE mounted power supply (optional). Accommodates a wide range of ceiling thicknesses without affecting aiming or adjustment. Airtight and IC-Rated for direct contact with standard thermal insulation with a max combined R-Value of R42 (may also be installed in Non-IC applications). Meets Washington State Airtight Standard WAC 51-11-0502 and in accordance with ASTM E283 to reduce energy loss. For installations in direct contact with thermal insulation, ambient temperatures in ceiling space should not exceed 25°C (77°F) during normal operation. For installations where insulation is held back a minimum of 3" from sides and top, ambient temperatures in ceiling space should not exceed 40°C (104°F) during normal operation.

Light Engine, LED, Optic Option, and Accessory Notes

Fully adjustable light engine features patented tool-free adjustment mechanism. Use for adjustable accent, wall wash*, and general lighting applications. *For wall washing: specify 40° optic option with **HI**, **WD**, or **WD-2** LED, or 10° optic option and **FL** lens with **HI-2** LED. Requires **WW-4** wall wash accessory. To ensure fixture to fixture color consistency, use of the same LED option with adjacent fixtures is recommended. One field interchangeable optic option included standard. Up to two additional optical accessories can be accommodated.

Dimming and Output Option Notes

0-10v dimming options are configured for linear control. DALI dimming options are configured for logarithmic control. No.8 Lighting conducts extensive testing to establish compatibility with many dimmer types. For a complete list of compatible dimmers, see 8lighting.com/resources-downloads. Outputs vary depending on LED type, trim type, and optical accessories used. For photometric files in PDF and IES formats, see: 8lighting.com/400-series-photometry.

Trim Finish Notes

White trim finish is field paintable to match ceiling color. Lot variations may occur with specialty finishes. Ordering ALL trim kits at the same time is recommended to minimize finish variations.

Trim Accessory Notes

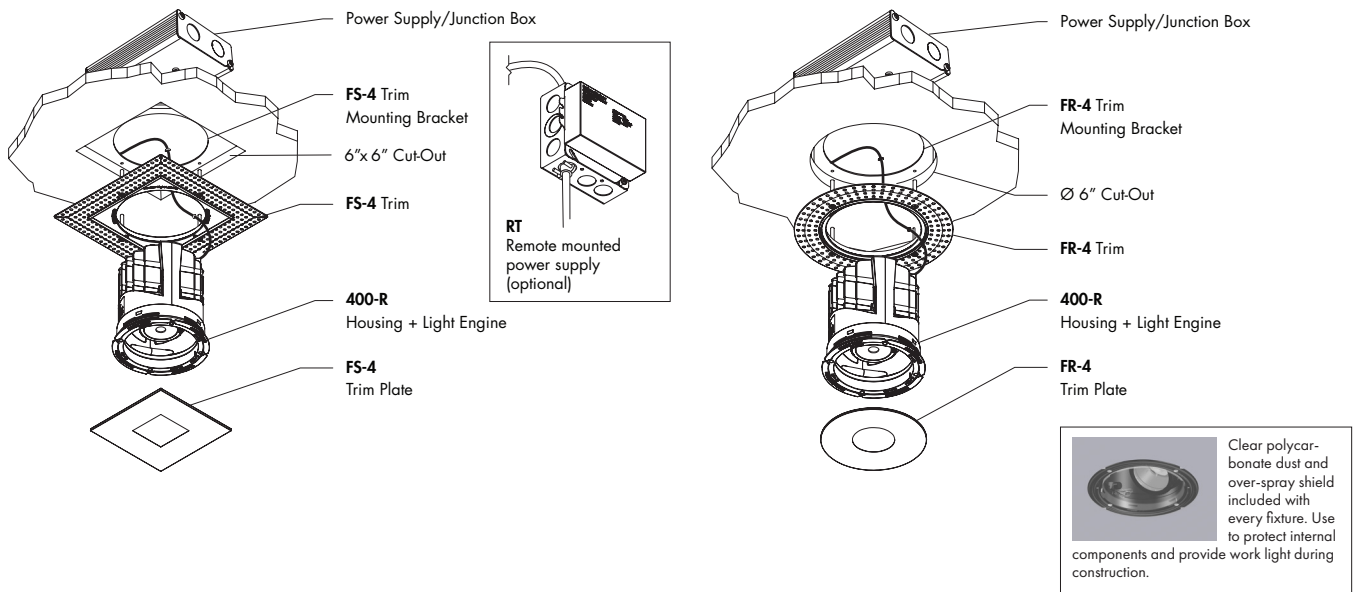
Trim lens accessories are factory installed into trim plates and are UL WET LISTED and rated for use in DRY, DAMP, or WET locations (covered ceiling applications only). Approved for use in residential steam applications. Not for use in commercial steam applications.

Warranty

All No. 8 Lighting products are covered by a 5 year limited warranty. Products installed in residential steam applications are covered by a 2 year limited warranty. For specific warranty details and limitations, see: 8lighting.com/resources-downloads.

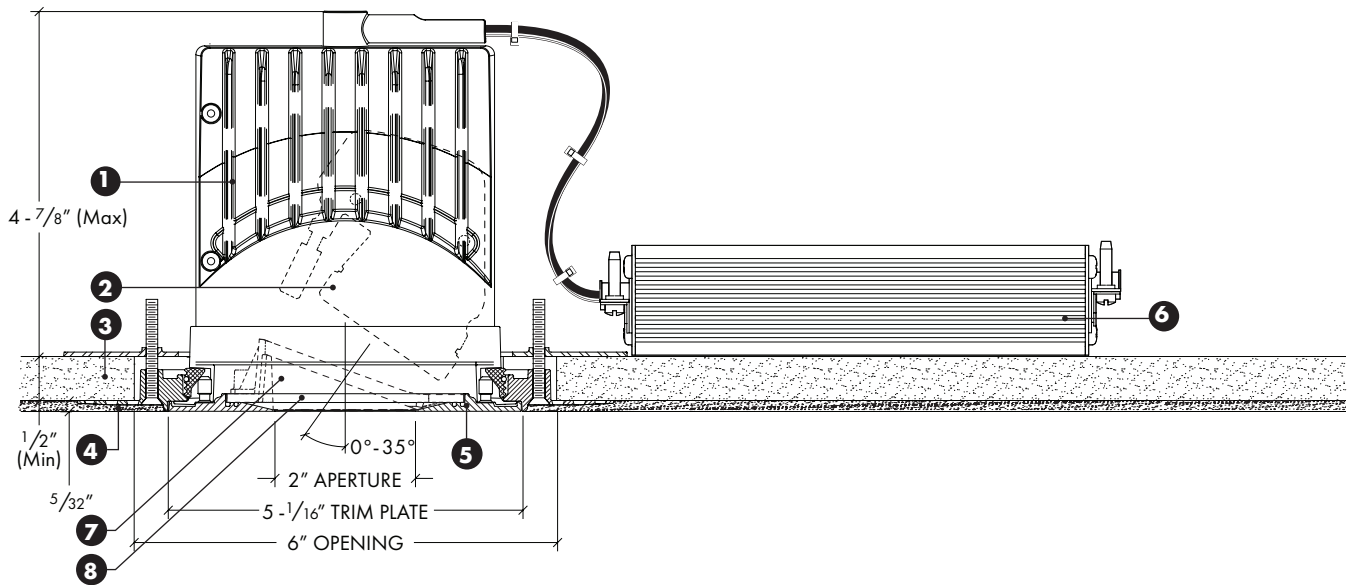
JAB-2022 CA Title 24 Compliant.

400-R FIXTURE ASSEMBLY with FS-4/FR-4 FLANGELESS TRIM - REMODEL MOUNTING



CEILING TYPES: Sheetrock | **CEILING THICKNESS:** 1/2" Min to 5-1/2" Max* | **CUT-OUT:** 6" x 6" or Ø 6"
 *Note: For ceiling thicknesses over 1-1/4" use longer screws (not supplied)

400-R FIXTURE ASSEMBLY with FS-4/FR-4 FLANGELESS TRIM - REMODEL MOUNTING



- 1) **400-R REMODEL Housing + Light Engine** Airtight + IC Rated installs from below finished ceiling.
- 2) **Adjustable LED & Optics** Features 0° - 35° tilt and 360° rotation with tool-less locking.
- 3) **Ceiling Material** (Sheetrock) Accommodates ceiling thicknesses from 1/2" (min) to 5-1/2" (max) without affecting aiming or rotation. Ceiling material must be rigid and able to support weight of fixture (approximately 5lbs.).
- 4) **Flangeless Trim** Flush mounts using 5/32" ceiling finish (drywall compound or plaster). Installs from below and sandwiches sheetrock through 6" cut-out. Standard screws (supplied) accommodate 1/2" to 1-1/4" thick sheetrock ceiling material. Use longer screws for ceilings over 1-1/4" thick.
- 5) **Flangeless Trim Plate** Features unique magnetic attachment. Mounts flush to finished ceiling.
- 6) **Power Supply/Junction Box** (shown) Installs from below finished ceiling and is accessible after installation. Dimensions: 6-7/16" L x 1-1/2" H x 3-7/8" W. **RT** Remote mounted LED driver/junction box (not shown) can be mounted up to 100ft from fixture using 12AWG Class 2 stranded wire. See wire length table.
- 7) **WW-4** (optional) Wall Wash Accessory rated for use in DRY, DAMP, or WET locations (covered ceiling applications only).
- 8) **CL4/SF4** (optional) Clear or Soft Focus lens rated for use in DRY, DAMP, or WET locations (covered ceiling applications only).

400 SERIES w/ FS/FLS/FLS-4-BV TRIM - PERFORMANCE SUMMARY

LED	OUTPUT	CCT	CRI	R9	Delivered Lumens	System Wattage	Delivered LPW
HI-27	1000	2700K	94	60	819-964	14	59-69
HI	1000	3000K	94	60	881-1037	14	63-74
HI-2-27	1000	2700K	94	63	1006	14.5	69
HI-2	1000	3000K	94	63	1082	14.5	75
WD	1000-WD	3000-1800K	97	82	694-818	15	48-56
WD-2	1000-WD	2800-2200K	97	78	686-809	15	47-55

Performance summary for HI LED with 15°, 25°, and 40° optic options and HI-2 LED with 10° optic option.
Performance summary for WD LED at 3000K and WD-2 LED at 2800K with 15°, 25°, and 40° optic options.

400 SERIES w/ FR/FLR/FLR-4-BV TRIM - PERFORMANCE SUMMARY

LED	OUTPUT	CCT	CRI	R9	Delivered Lumens	System Wattage	Delivered LPW
HI-27	1000	2700K	94	60	811-955	14	58-68
HI	1000	3000K	94	60	872-1027	14	62-73
HI-2-27	1000	2700K	94	63	1004	14.5	69
HI-2	1000	3000K	94	63	1080	14.5	74
WD	1000-WD	3000-1800K	97	81	708-840	15	48-58
WD-2	1000-WD	2800-2200K	97	78	700-835	15	48-57

Performance summary for HI LED with 15°, 25°, and 40° optic options and HI-2 LED with 10° optic option.
Performance summary for WD LED at 3000K and WD-2 LED at 2800K with 15°, 25°, and 40° optic options.

400 SERIES w/ FS/FLS/FLS-4-BV TRIM + WW-4 WALL WASH ACCESSORY - PERFORMANCE SUMMARY

LED	OUTPUT	CCT	CRI	R9	Delivered Lumens	System Wattage	Delivered LPW
HI-27	1000	2700K	94	60	652	14	47
HI	1000	3000K	94	60	701	14	50
HI-2-27	1000	2700K	94	64	504	14.5	35
HI-2	1000	3000K	94	64	542	14.5	37
WD	1000-WD	3000-1800K	97	82	548	15	38
WD-2	1000-WD	2800-2200K	97	80	543	15	37

Performance summary for HI LED with 40° optic option and HI-2 LED with 10° optic + FL lens option.
Performance summary for WD LED at 3000K and WD-2 LED at 2800K with 40° optic option.

400 SERIES w/ FR/FLR/FLR-4-BV TRIM + WW-4 WALL WASH ACCESSORY - PERFORMANCE SUMMARY

LED	OUTPUT	CCT	CRI	R9	Delivered Lumens	System Wattage	Delivered LPW
HI-27	1000	2700K	94	60	659	14	47
HI	1000	3000K	94	60	709	14	51
HI-2-27	1000	2700K	94	64	509	14.5	35
HI-2	1000	3000K	94	64	547	14.5	38
WD	1000-WD	3000-1800K	97	82	584	15	40
WD-2	1000-WD	2800-2200K	97	80	560	15	38

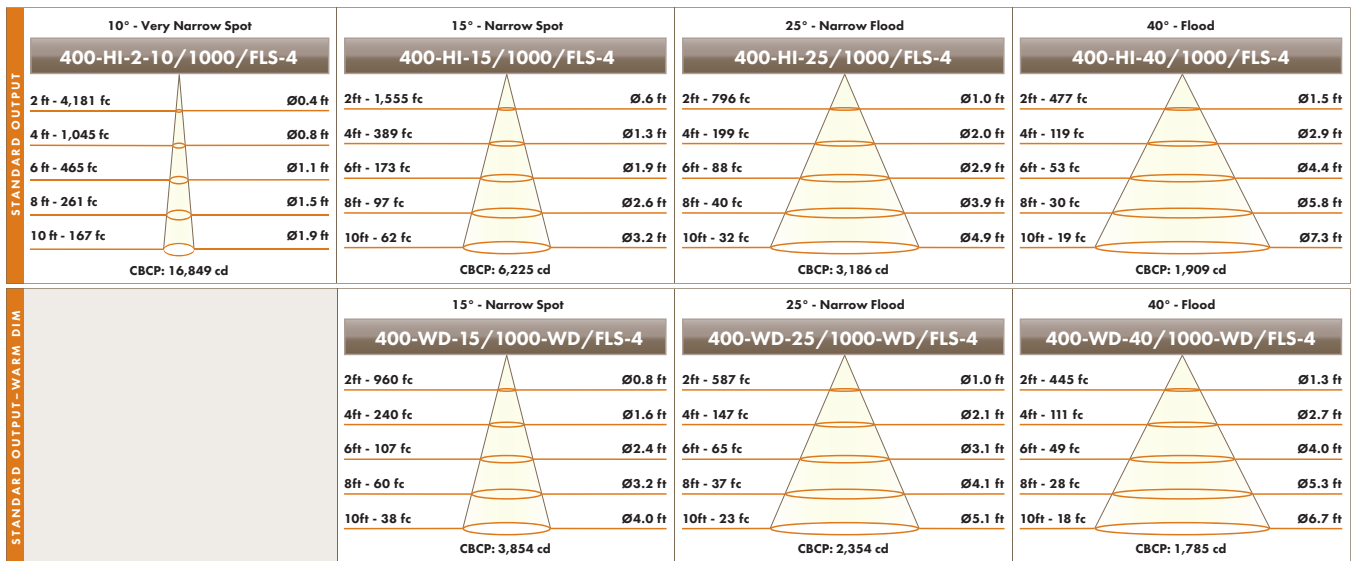
Performance summary for HI LED with 40° optic option and HI-2 LED with 10° optic + FL lens option.
Performance summary for WD LED at 3000K and WD-2 LED at 2800K with 40° optic option.

400 SERIES - OPTICAL OPTIONS AND ACCESSORY PERFORMANCE SUMMARY

OPTIC OPTIONS	LED OPTIONS	BEAM ENHANCING LENS (OPTIONAL)*				
		+ NSP	+ NFL	+ FL	+ WFL	+ LS
10° Very Narrow Spot	HI-2	14°	25°	41°	44°	14° x 26°
15° Narrow Spot	HI	21°	30°	48°	56°	21° x 35°
15° Narrow Spot	WD/WD-2	24°	32°	49°	56°	24° x 46°
25° Narrow Flood	HI	28°	35°	51°	59°	29° x 47°
25° Narrow Flood	WD/WD-2	29°	35°	51°	58°	31° x 44°
40° Flood	HI	41°	44°	59°	66°	42° x 53°
40° Flood	WD/WD-2	37°	42°	55°	62°	39° x 50°

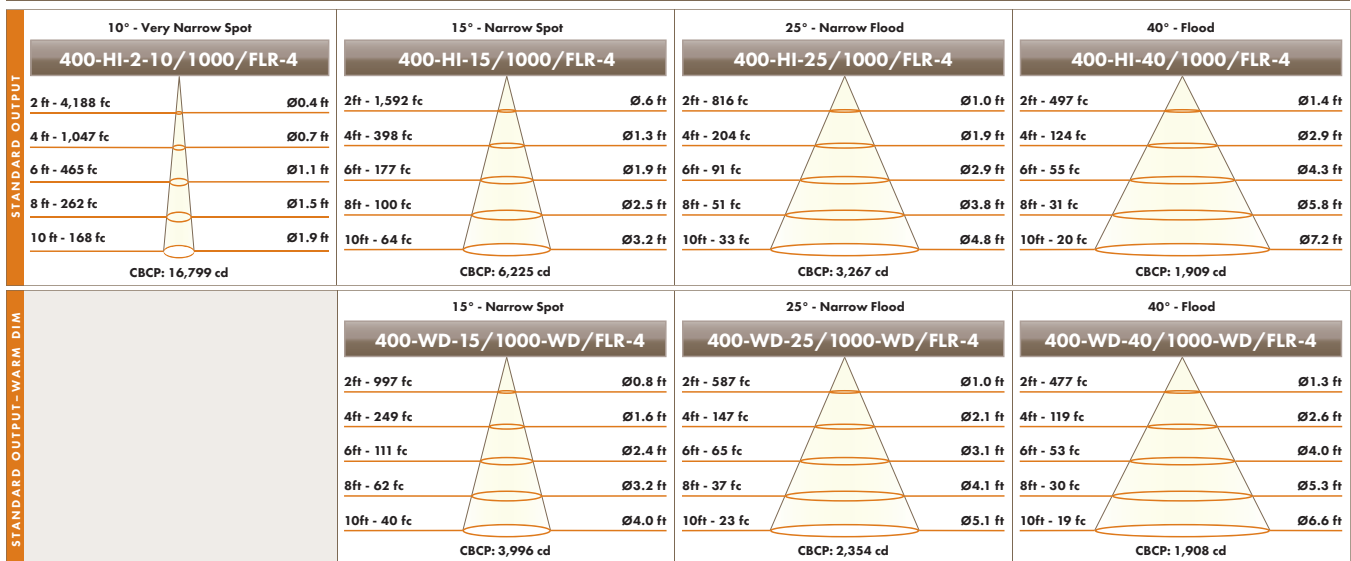
*Beam enhancing lens used in combination with 10°, 15°, 25°, or 40° optic to achieve desired beam spread.

400 SERIES w/ FS/FLS/FLS-4-BV TRIM - CONE OF LIGHT DIAGRAMS



Performance shown for 3000K. Output varies by CCT.

400 SERIES w/ FR/FLR/FLR-4-BV TRIM - CONE OF LIGHT DIAGRAMS



Performance shown for 3000K. Output varies by CCT.

400-HI-40 w/ FS/FLS/FLS-BV TRIM + WW-4 WALL WASH ACCESSORY - FOOTCANDLES ON WALL

DISTANCE TO WALL		2.0 ft						2.5 ft						
ON CENTER SPACING			2.0 ft			2.5 ft			2.5 ft			3.0 ft		
	DISTANCE FROM CEILING	0.5 ft	0.4	3.0	0.4	0.4	0.2	0.4	0.1	0.1	0.1	0.1	0.1	0.1
		1.5 ft	28.9	31.1	28.9	25.8	25.3	25.8	13.3	13.9	13.3	12.1	11.3	12.1
		2.5 ft	32.7	36.4	32.7	29.2	32.3	29.2	22.2	24.3	22.2	20.2	21.5	20.2
		3.5 ft	21.9	23.8	21.9	19.9	22.4	19.9	19.0	21.1	19.0	17.3	19.6	17.3
		4.5 ft	13.3	14.2	13.3	12.5	13.6	12.5	13.3	14.5	13.3	12.4	13.8	12.4
		5.5 ft	8.3	8.7	8.3	7.9	8.4	7.9	9.0	9.6	9.0	8.5	9.2	8.5
		6.5 ft	5.4	5.6	5.4	5.2	5.5	5.2	6.1	6.4	6.1	5.8	6.3	5.8
		7.5 ft	3.6	3.7	3.6	3.5	3.7	3.5	4.2	4.4	4.2	4.1	4.3	4.1
		8.5 ft	2.6	2.6	2.6	2.5	2.6	2.5	3.0	3.2	3.0	3.0	3.1	3.0
		9.5 ft	1.9	1.9	1.9	1.8	1.9	1.8	2.2	2.3	2.2	2.2	2.3	2.2

Note: With HI LED option, use 40° optic and 20° aiming angle for optimal performance. Data shown for 3000K CCT.

400-HI-2-10-FL w/ FS/FLS/FLS-BV TRIM + WW-4 WALL WASH ACCESSORY - FOOTCANDLES ON WALL

DISTANCE TO WALL		2.0 ft						2.5 ft						
ON CENTER SPACING			2.0 ft			2.5 ft			2.5 ft			3.0 ft		
	DISTANCE FROM CEILING	0.5 ft	0.4	0.4	0.4	0.4	0.3	0.4	0.1	0.1	0.1	0.1	0.1	0.1
		1.5 ft	18.3	19.3	18.3	16.7	14.9	16.7	7.5	7.6	7.5	7.0	5.9	7.0
		2.5 ft	23.7	26.3	23.7	21.2	22.8	21.2	15.4	17.0	15.4	14.1	14.6	14.1
		3.5 ft	16.7	18.2	16.7	15.1	16.7	15.1	14.0	15.5	14.0	12.8	14.1	12.8
		4.5 ft	10.5	11.2	10.5	9.8	10.6	9.8	10.2	11.1	10.2	9.5	10.4	9.5
		5.5 ft	6.7	7.0	6.7	6.3	6.7	6.3	7.0	7.5	7.0	6.6	7.2	6.6
		6.5 ft	4.3	4.5	4.3	4.2	4.4	4.2	4.9	5.1	4.9	4.6	4.9	4.6
		7.5 ft	3.0	3.0	3.0	2.9	3.0	2.9	3.4	3.6	3.4	3.3	3.5	3.3
		8.5 ft	2.1	2.1	2.1	2.0	2.1	2.0	2.5	2.5	2.5	2.4	2.5	2.4
		9.5 ft	1.5	1.5	1.5	1.5	1.5	1.5	1.8	1.9	1.8	1.8	1.8	1.8


Note: With HI-2 LED option, use 10° optic + FL lens and 20° aiming angle for optimal performance. Data shown for 3000K CCT.

400-WD-40 w/ FS/FLS/FLS-BV TRIM + WW-4 WALL WASH ACCESSORY - FOOTCANDLES ON WALL

DISTANCE TO WALL		2.0 ft						2.5 ft						
ON CENTER SPACING			2.0 ft			2.5 ft			2.5 ft			3.0 ft		
	DISTANCE FROM CEILING	0.5 ft	0.2	0.2	0.2	0.2	0.1	0.2	0.1	0.1	0.1	0.1	0.1	
		1.5 ft	17.0	18.6	17.0	15.4	15.0	15.4	7.2	7.5	7.2	6.8	6.1	6.8
		2.5 ft	22.9	26.3	22.9	20.5	23.0	20.5	14.3	16.2	14.3	13.1	14.1	13.1
		3.5 ft	17.0	19.4	17.0	15.2	17.9	15.2	13.8	16.0	13.8	12.6	14.6	12.6
		4.5 ft	10.9	12.0	10.9	10.0	11.4	10.0	10.4	11.9	10.4	9.6	11.2	9.6
		5.5 ft	7.0	7.5	7.0	6.5	7.2	6.5	7.3	8.1	7.3	6.8	7.8	6.8
		6.5 ft	4.6	4.8	4.6	4.4	4.7	4.4	5.1	5.5	5.1	4.8	5.3	4.8
		7.5 ft	3.1	3.3	3.1	3.0	3.2	3.0	3.6	3.8	3.6	3.4	3.7	3.4
		8.5 ft	2.2	2.3	2.2	2.1	2.2	2.1	2.6	2.7	2.6	2.5	2.7	2.5
		9.5 ft	1.6	1.7	1.6	1.6	1.6	1.6	1.9	2.0	1.9	1.9	2.0	1.9


Note: With WD or WD-2 LED option, use 40° optic and 20° aiming angle for optimal performance. Data shown for 3000K CCT.

400-HI-40 w/ FR/FLR/FLR-BV TRIM + WW-4 WALL WASH ACCESSORY - FOOTCANDLES ON WALL

DISTANCE TO WALL		2.0 ft						2.5 ft						
		ON CENTER SPACING		⊙	2.0 ft	⊙	⊙	2.5 ft	⊙	2.5 ft		⊙	3.0 ft	⊙
	DISTANCE FROM CEILING	0.5 ft	0.3	0.2	0.3	0.3	0.1	0.3	0.1	0.1	0.1	0.1	0.1	0.1
		1.5 ft	28.1	31.3	28.1	25.4	25.8	25.4	12.9	13.9	12.9	12.1	11.4	12.1
		2.5 ft	32.1	36.9	32.1	28.6	33.0	28.6	21.6	24.5	21.6	19.7	21.8	19.7
		3.5 ft	21.9	24.6	21.9	19.7	23.2	19.7	18.8	21.6	18.8	17.0	20.0	17.0
		4.5 ft	13.6	14.8	13.6	12.5	14.3	12.5	13.4	15.0	13.4	12.3	14.3	12.3
		5.5 ft	8.6	9.1	8.6	8.0	8.9	8.0	9.1	10.0	9.1	8.5	9.6	8.5
		6.5 ft	5.6	5.9	5.6	5.3	5.8	5.3	6.3	6.7	6.3	5.9	6.6	5.9
		7.5 ft	3.8	4.0	3.8	3.7	3.9	3.7	4.4	4.7	4.4	4.2	4.6	4.2
		8.5 ft	2.7	2.8	2.7	2.6	2.8	2.6	3.2	3.3	3.2	3.1	3.3	3.1
		9.5 ft	2.0	2.0	2.0	1.9	2.0	1.9	2.4	2.4	2.4	2.3	2.4	2.3


Note: With HI LED option, use 40° optic and 20° aiming angle for optimal performance. Data shown for 3000K CCT.

400-HI-2-10-FL w/ FR/FLR/FLR-BV TRIM + WW-4 WALL WASH ACCESSORY - FOOTCANDLES ON WALL

DISTANCE TO WALL		2.0 ft						2.5 ft						
		ON CENTER SPACING		⊙	2.0 ft	⊙	⊙	2.5 ft	⊙	2.5 ft		⊙	3.0 ft	⊙
	DISTANCE FROM CEILING	0.5 ft	0.5	0.4	0.5	0.5	0.3	0.5	0.2	0.2	0.2	0.2	0.2	0.2
		1.5 ft	19.5	21.2	19.5	17.6	16.9	17.6	8.4	8.7	8.4	7.8	7.1	7.8
		2.5 ft	23.8	26.9	23.8	21.2	23.7	21.2	15.7	17.6	15.7	14.3	15.6	14.3
		3.5 ft	16.7	18.4	16.7	15.2	17.1	15.2	14.1	15.8	14.1	12.9	14.6	12.9
		4.5 ft	10.6	11.3	10.6	9.8	10.8	9.8	10.2	11.2	10.2	9.5	10.7	9.5
		5.5 ft	6.7	7.1	6.7	6.4	6.8	6.4	7.1	7.6	7.1	6.7	7.3	6.7
		6.5 ft	4.4	4.6	4.4	4.2	4.5	4.2	4.9	5.2	4.9	4.7	5.0	4.7
		7.5 ft	3.0	3.1	3.0	2.9	3.0	2.9	3.5	3.6	3.5	3.3	3.5	3.3
		8.5 ft	2.1	2.2	2.1	2.1	2.1	2.1	2.5	2.6	2.5	2.4	2.5	2.4
		9.5 ft	1.5	1.6	1.5	1.5	1.6	1.5	1.8	1.9	1.8	1.8	1.9	1.8

Note: With HI-2 LED option, use 10° optic + FL lens and 20° aiming angle for optimal performance. Data shown for 3000K CCT.

400-WD-40 w/ FR/FLR/FLR-BV TRIM + WW-4 WALL WASH ACCESSORY - FOOTCANDLES ON WALL

DISTANCE TO WALL		2.0 ft						2.5 ft						
		ON CENTER SPACING		⊙	2.0 ft	⊙	⊙	2.5 ft	⊙	2.5 ft		⊙	3.0 ft	⊙
	DISTANCE FROM CEILING	0.5 ft	0.3	0.2	0.3	0.3	0.2	0.3	0.1	0.1	0.1	0.1	0.1	0.1
		1.5 ft	20.7	23.1	20.7	18.6	18.3	18.6	9.1	10.0	9.1	8.4	8.9	8.4
		2.5 ft	26.5	30.3	26.5	23.5	26.4	23.5	17.0	19.2	17.0	15.4	16.6	15.4
		3.5 ft	19.0	21.2	19.0	17.0	19.6	17.0	15.8	18.0	15.8	14.3	16.4	14.3
		4.5 ft	12.0	12.9	12.0	11.1	12.3	11.1	11.6	12.9	11.6	10.7	12.2	10.7
		5.5 ft	7.6	8.0	7.6	7.2	7.7	7.2	8.0	8.7	8.0	7.5	8.3	7.5
		6.5 ft	5.0	5.2	5.0	4.8	5.1	4.8	5.6	5.9	5.6	5.3	5.7	5.3
		7.5 ft	3.4	3.5	3.4	3.3	3.4	3.3	3.9	4.1	3.9	3.8	4.0	3.8
		8.5 ft	2.4	2.5	2.4	2.3	2.4	2.3	2.8	2.9	2.8	2.7	2.9	2.7
		9.5 ft	1.7	1.8	1.7	1.7	1.8	1.7	2.1	2.2	2.1	2.0	2.1	2.0

Note: With WD or WD-2 LED option, use 40° optic and 20° aiming angle for optimal performance. Data shown for 3000K CCT.