

HOUSING: **804S** – LOW PROFILE  
 LAMP MODULE: **M2S** – MIRROR REFLECTOR | LED



**eight**  
LIGHTING

526 Portal Street  
 Cotati, CA 94931  
 USA  
 P 707.794.0888  
 www.8lighting.com

All No. 8 Lighting fixtures and components are UL Listed to both U.S. and Canadian requirements. Select 804S Series fixtures and components are also CE Certified. No. 8 Lighting trims and lamp modules are protected by one or more U.S. Patents. No. 8 Lighting reserves the right to change details of design, materials, and finish.

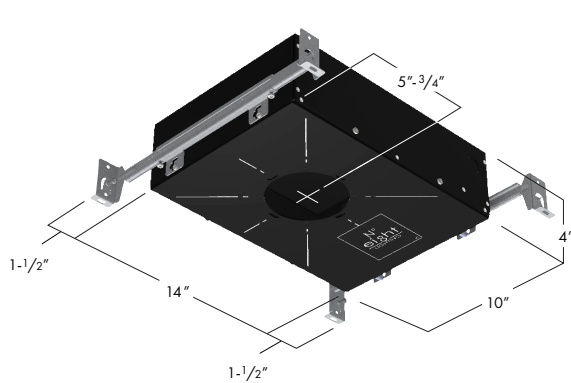
© 2023 No. 8 Lighting  
 Doc # 91173-13.1





Project Name	
Date	Type
Prepared By	
Comments	
Catalog # <b>804S/M2S-</b> - - - / / - /	

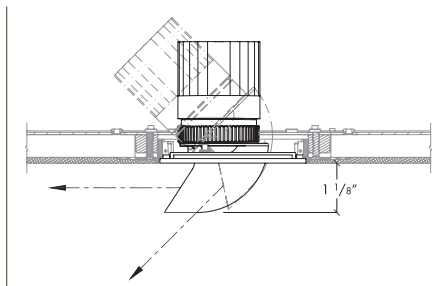
PRODUCT FEATURES



**804S** - LOW PROFILE HOUSING  
 (Shown with BH mounting accessory)



**M2S** - LED MIRROR REFLECTOR



LAMP MODULE **M2S**- TRIM ASSEMBLY  
 CROSS SECTION DETAIL

**Note:** Cross sections are for illustration purposes only. Refer to Page 3 for additional details.

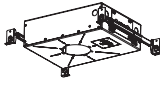


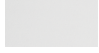

**804S/M2S** SPECIFICATION SUMMARY

	Static White Standard Output				Static White High Output		Warm Dimming	
	HI-2-27	HI-2	HI-27	HI	HI-27	HI	WD	WD-2
LED Option	797	857	686	738	884	951	569	560
Delivered Lumens	14.5	14.5	14	14	20	20	15	15
System Wattage	55	59	49	53	44	48	38	37
Efficacy	93	93	93	93	93	93	97	96
CRI	58	59	55	56	53	53	78	74
R9	2700K	3000K	2700K	3000K	2700K	3000K	3000-1800K	2800-2200K
CCT	10		15, 25, 40				15, 25, 40	
Optic Options	2-Step				3-Step			
Color Consistency	Narrow, Medium, Wide, Extra Wide, Linear Spread, and 2400K, 2700K, 3500K Color Filters							
Optical Accessories	35-90° Tilt, 90° Rotation, Lockable							
Adjustability	<1% Forward/Reverse Phase (120v), 0.1/1% 0-10v (120-277v), 0.1/1% DALI (120-277v), 0.1/1% EcoSystem (120 or 277v)							
Dimming Options	Round/Square Flat							
Trim Options	White, Oil-Rubbed Bronze							
Finish Options	Flanged, Flangeless Sheetrock, Flangeless Wood							
Trim Mounting Options	New Construction: Type Non-IC Air-Tight, Type IC-CP Rated CCEA Approved Air-Tight							
Housing Options								

Data shown for M2S Lamp Module with FS/FLS and FR/FLR trim.  
 Warm Dimming data shown for 3000K and 2800K.  
 See Performance Summaries for additional information.  
 800 Series Trims specified separately.

PRODUCT SPECIFIER/PRODUCT ORDER NUMBER

**804S** / **M2S-** - - - - / - - - - / - - - - / - - - -

HOUSING	LAMP MODULE	LED OPTIONS	OPTIC OPTIONS	OPTICAL ACCESSORIES (Optional)	TRIM FINISH	DIMMING OPTIONS	OUTPUT	MOUNTING ACCESSORIES
 <p><b>804S</b> New Construction – Low Profile AIRTIGHT-IC and Non-IC Rated 10"W* x 14"L* x 4"H† *Add 3" to length or width to accommodate mounting accessories. †Minimum 4 -1/2" ceiling space required when used with INSET and BEVEL Series trim assemblies.</p>	<p><b>LED MIRROR REFLECTOR</b></p> <p><b>M2S-S</b> 4" SQUARE module w/integral trim plate fits into square Seamless Series™ trim assemblies</p>  <p><b>M2S-R</b> 4" ROUND module w/ integral trim plate fits into round Seamless Series™ trim assemblies</p> 	<p><b>HI-27</b> 2700K White LED</p> <p><b>HI</b> 3000K White LED</p> <p><b>HI-2-27*</b> 2700K White LED</p> <p><b>HI-2*</b> 3000K White LED</p> <p><b>WD†</b> 3000-1800K Warm Dim LED</p> <p><b>WD-2†</b> 2800-2200K Warm Dim LED</p> <p>*For use with 10° optic only. Available in standard output only.</p> <p>†Available in standard output only.</p>	<p><b>10*</b> 10° Very Narrow Spot</p> <p><b>15</b> 15° Narrow Spot</p> <p><b>25</b> 25° Narrow Flood</p> <p><b>40</b> 40°</p> <p>*For use with HI-2 LED option only.</p>	<p><b>NSP</b> Narrow Softening Lens</p> <p><b>NFL</b> Medium Softening Lens</p> <p><b>FL</b> Wide Softening Lens</p> <p><b>WFL</b> Extra Wide Softening Lens</p> <p><b>LS</b> Linear Spread Lens</p> <p><b>CF24*</b> 2400K Color Filtering Lens</p> <p><b>CF27*</b> 2700K Color Filtering Lens</p> <p><b>CF35*</b> 3500K Color Filtering Lens</p> <p>*For use with HI and HI-2 3000K LED options only.</p>	<p><b>WH</b> WHITE</p>  <p><b>OB*</b> OIL-RUBBED BRONZE</p>  <p>*Specialty finish.</p>	<p><b>PR1-8</b> Premium Forward or Reverse-Phase &lt;1% Dimming</p> <p><b>EL1-8†</b> EldoLED 0-10v 1% Dimming</p> <p><b>EL1-01-8†</b> EldoLED 0-10v 0.1% Dimming</p> <p><b>EL2-8†</b> EldoLED DALI 1% Dimming</p> <p><b>EL2-01-8†</b> EldoLED DALI 0.1% Dimming</p> <p><b>LU2-8</b> Lutron Hi-Lume LDE1 Eco-System 1% Dimming</p> <p><b>LU4-8</b> Lutron Hi-Lume PEQOE EcoSystem 0.1% Dimming</p> <p>†Also CE Certified with HI or HI-2 LED options.</p>	<p><b>1000</b> Standard output</p> <p><b>1000-WD</b> Standard output – Warm Dimming</p> <p><b>1400*</b> High output</p> <p>*Non-IC only. Not available w/ LU2-8 or LU4-8 dimming options.</p>	<p><b>BH</b> Bar Hangers for joist mounting</p> <p><b>BB</b> Butterfly Brackets for c-channel or bar mounting</p> <p><b>TBC-BH</b> T-Bar Mounting Clips + Bar Hangers for T-Bar mounting</p> <p><b>PMB</b> Panel Mounting Brackets (set of two) for direct mounting to wood panels</p>

**Housing and Installation Notes**

**804S** Low Profile universal IC and Non-IC Rated housing available with two output options. Meets Washington State Airtight Standard WAC 51-11-0502 and in accordance with ASTM E283 to reduce energy loss. CCEA plenum rated for City of Chicago environmental air spaces. Standard output options are IC-Rated for direct contact with standard or spray-foam thermal insulation with a max combined R-Value of R42. High output options are Non-IC rated for use where insulation can be kept a minimum of 3" away from all sides. For standard output models, ambient temperatures in ceiling space should not exceed 40°C (104°F) during normal operation. For high output models and all models with **LU2-8** dimming option, ambient temperatures should not exceed 25°C (77°F). Accepts **J2S**, **K2S**, and **M2S** LED Lamp Modules and all **800 Series** Trim Assemblies. For 800 Series Trims (specified separately), see [8lighting.com/products-800-series-led](http://8lighting.com/products-800-series-led).

**Lamp Module, LED, Optic Option, and Accessory Notes**

**M2S** Adjustable lamp module features 35-90° vertical\* and 90° horizontal adjustment. \*Vertical adjustment range based on ceiling thickness and trim type used. See Page 3 for additional details.

Use on sloped ceilings for adjustable accent, wall wash, and general lighting applications. Lamp module assembly includes either a SQUARE or ROUND trim plate for use with 800 Series Seamless trims. To ensure fixture to fixture color consistency, use of the same LED option with adjacent fixtures is recommended. One field interchangeable optic option included standard. Up to two additional optical accessories can be accommodated.

**Dimming and Output Option Notes**

0-10v dimming options are configured for linear control. DALI dimming options are configured for logarithmic control. No.8 Lighting conducts extensive testing to establish compatibility with many dimmer types. For a complete list of compatible dimmers, see [8lighting.com/resources-downloads](http://8lighting.com/resources-downloads). Outputs vary depending on LED type, trim type, and optical accessories used. For photometric files in PDF and IES formats, see [8lighting.com/800-series-photometry](http://8lighting.com/800-series-photometry).

**Warranty**

All No. 8 Lighting products are covered by a 5 year limited warranty. Products installed in residential steam applications are covered by a 2 year limited warranty. For specific warranty details and limitations, see [8lighting.com/resources-downloads](http://8lighting.com/resources-downloads).

## 804S/M2S w/ FS/FLS/FR/FLR TRIM - PERFORMANCE SUMMARY

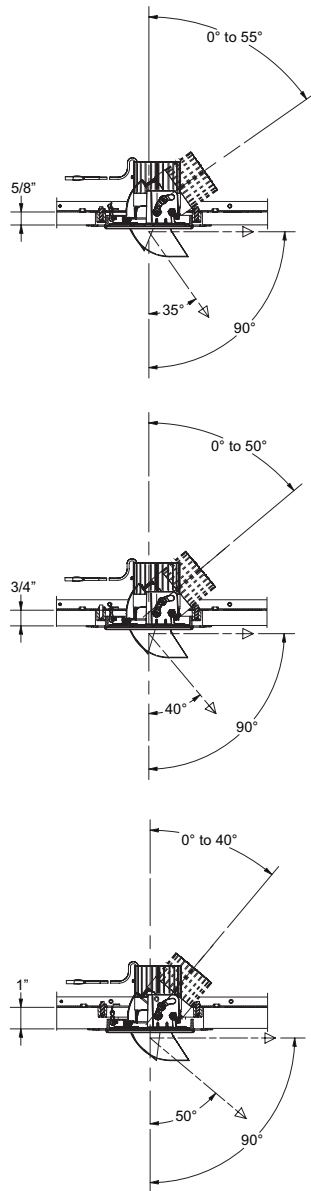
LED	OUTPUT	CCT	CRI	R9	Delivered Lumens	System Wattage	Delivered LPW
HI-27	1000	2700K	93	55	565-686	14	40-49
HI	1000	3000K	93	56	607-738	14	43-53
HI-27	1400	3000K	93	53	734-884	20	37-44
HI	1400	3000K	93	53	786-951	20	39-48
HI-2-27	1000	2700K	93	58	797	14.5	55
HI-2	1000	3000K	93	59	857	14.5	59
WD	1000-WD	3000-1800K	97	78	470-569	14.5	32-39
WD-2	1000-WD	2800-2200K	96	74	469-560	14.5	32-39

Performance summary for **HI** LED with 15°, 25°, and 40° optic options and **HI-2** LED with 10° optic option.  
 Performance summary for **WD** LED at 3000K and **WD-2** LED at 2800K with 15°, 25°, and 40° optic options.

## M2S LAMP MODULE - VERTICAL AIMING RANGE

### SEAMLESS SERIES

PLASTER/SHEETROCK CEILING APPLICATIONS



### SEAMLESS SERIES

WOOD/STONE CEILING APPLICATIONS

