



200-HD SERIES
NEW CONSTRUCTION
TYPE NON -IC / TYPE IC RATED
INSTALLATION INSTRUCTIONS

WARNING: Read and understand these instructions completely before installation. Disconnect power at circuit breaker or fuse panel before installation. Always allow LED assembly to cool before servicing. To be installed by qualified electricians only. Products should be installed in accordance with these instructions, local electrical codes, and the National Electric Code (NEC). These products may represent a possible shock or fire hazard if improperly installed.

Do not install where insulation or ambient temperatures will exceed maximum values noted in product specifications. See www.8lighting.com for current product specifications.


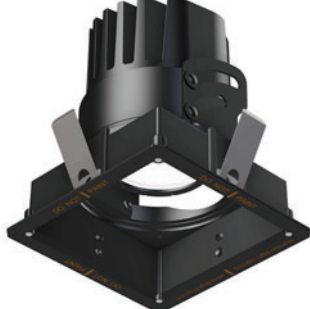
NOTE: Number Eight Lighting fixtures are designed to meet the latest NEC requirements and are listed in full compliance with UL standards. Before attempting installation check your local electrical code which sets the wiring standards and installation requirements for your locality.





Save these instructions.



TABLE OF CONTENTS

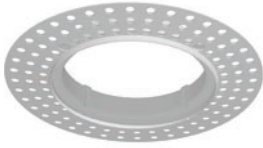
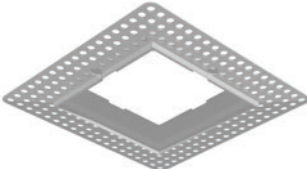
	PAGE
200-HD SERIES COMPONENTS.....	1-2
NEW CONSTRUCTION INSTALLATION – FLANGED TRIMS.....	3-5
NEW CONSTRUCTION INSTALLATION – FLANGELESS TRIMS w/SHEETROCK CEILINGS.....	6-8
NEW CONSTRUCTION INSTALLATION – FLANGELESS TRIMS w/WOOD/STONE CEILINGS..	9-12
AIMING AND ADJUSTMENT and TRIM PLATE FINISHING and INSTALLATION.....	13-14
WIRING DIAGRAMS.....	15-16



200-HD SERIES NEW CONSTRUCTION COMPONENTS

200-HD LIGHT ENGINES	
 <p>200-HD-R</p>	 <p>200-HD-S</p>


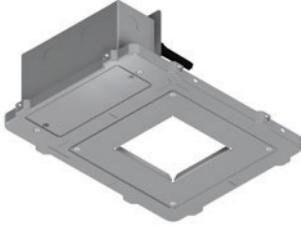
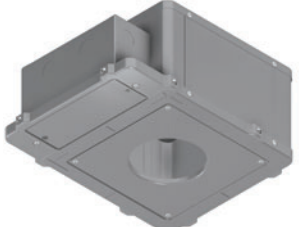

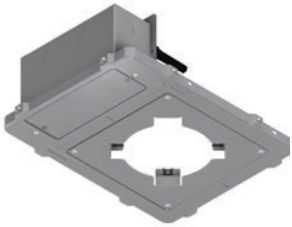
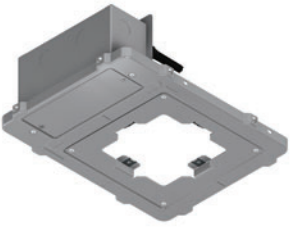

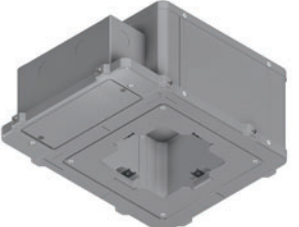
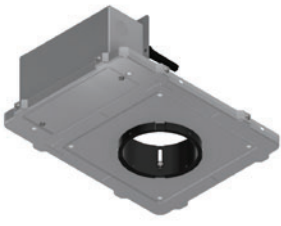
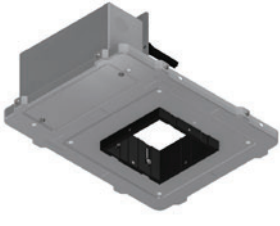
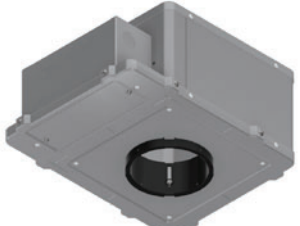
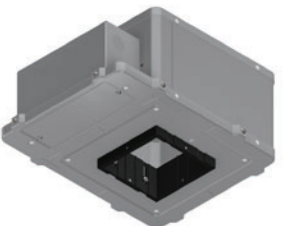
FLAT TRIM PLATES (for 200-HD-R/S Light Engines)		BEVEL TRIM PLATES (for 200-HD-R/S Light Engines)	
 <p>FLR-2</p>	 <p>FLS-2</p>	 <p>FLR-2-BV</p>	 <p>FLS-2-BV</p>

WALL WASH TRIM PLATES (for 200-HD-R/S Light Engines)	
 <p>FLR-2-WW</p>	 <p>FLS-2-WW</p>





FLANGELESS TRIM MOUNTING ACCESSORIES for SHEETROCK CEILING APPLICATIONS		
 <p>FR-2 FLANGELESS trim accessory for flush mounting ROUND trims in SHEETROCK</p>	 <p>FS-2 FLANGELESS trim accessory for flush mounting SQUARE trims in SHEETROCK</p>	<p>Note: FR-2 and FS-2 flangeless trim accessories for use with NIC-FR/FS and IC-CP-FR/FS mounting frames.</p>

OPTIC OPTIONS + ACCESSORIES	
<p>TIR-15 15° Narrow spot TIR-25 25° Narrow flood TIR-40 40° Flood TIR-60 60° Wide flood</p> 	<p>NSP Narrow softening lens NFL Medium softening lens FL Wide softening lens WFL Extra wide softening lens LS Linear spread Lens</p> 

200-HD SERIES NEW CONSTRUCTION COMPONENTS

NIC MOUNTING FRAMES - Type Non-IC Rated	IC-CP MOUNTING FRAMES - Type IC/CP Rated
<p>For FLANGED Trims</p> <div style="display: flex; justify-content: space-around; align-items: center;">   </div> <div style="display: flex; justify-content: space-around; align-items: center;"> <p>NIC-R</p> <p>NIC-S</p> </div>	<p>For FLANGED Trims</p> <div style="display: flex; justify-content: space-around; align-items: center;">   </div> <div style="display: flex; justify-content: space-around; align-items: center;"> <p>IC-CP-R</p> <p>IC-CP-S</p> </div>
<p>For FLANGELESS TRIMS with SHEETROCK CEILINGS</p> <div style="display: flex; justify-content: space-around; align-items: center;">   </div> <div style="display: flex; justify-content: space-around; align-items: center;"> <p>NIC-FR (requires FR-2 accessory)</p> <p>NIC-FS (requires FS-2 accessory)</p> </div>	<p>For FLANGELESS TRIMS with SHEETROCK CEILINGS</p> <div style="display: flex; justify-content: space-around; align-items: center;">   </div> <div style="display: flex; justify-content: space-around; align-items: center;"> <p>IC-CP-FR (requires FR-2 accessory)</p> <p>IC-CP-FS (requires FS-2 accessory)</p> </div>
<p>For FLANGELESS TRIMS with WOOD/STONE CEILINGS</p> <div style="display: flex; justify-content: space-around; align-items: center;">   </div> <div style="display: flex; justify-content: space-around; align-items: center;"> <p>NIC-FR-W</p> <p>NIC-FS-W</p> </div>	<p>For FLANGELESS TRIMS with WOOD/STONE CEILINGS</p> <div style="display: flex; justify-content: space-around; align-items: center;">   </div> <div style="display: flex; justify-content: space-around; align-items: center;"> <p>IC-CP-FR-W</p> <p>IC-CP-FS-W</p> </div>
<p>Note: Use NIC Mounting frames for TYPE NON-IC installations where insulation is held back a minimum of 3" from sides and top. Caution: Ambient temperatures in ceiling space should not exceed 40°C (104°F) during normal operation.</p>	<p>Note: Use IC-CP Mounting frames for TYPE IC installations in direct contact with thermal insulation (standard or spray-foam) with a max R-value of R-42 or for CCEA (Chicago Plenum) installations. Caution: When installed in contact with thermal insulation, ambient temperatures in ceiling space should not exceed 25°C (77°F) during normal operation. For installations where insulation is held back a minimum of 3" from sides and top, ambient temperatures in ceiling space should not exceed 40°C (104°F) during normal operation.</p>

FRAME MOUNTING ACCESSORIES

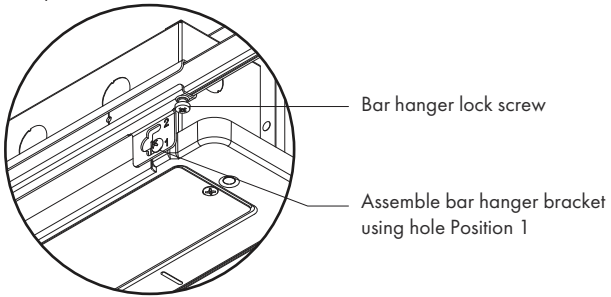
 <p>BB BUTTERFLY BRACKET (Set of 2) For commercial c-channel or bar mounting</p>	 <p>BH BAR HANGER (Set of 2) For joist mounting</p>	 <p>PMB PANEL MOUNTING BRACKET (Set of 2) For direct mounting to wood panels</p>	 <p>TBC T-BAR MOUNTING CLIPS (Set of 4) For use with BH Bar Hanger in T-GRID ceiling applications</p>
--	---	---	---

NEW CONSTRUCTION INSTALLATION

STEP 1 - MOUNTING FRAME ASSEMBLY AND INSTALLATION

BH - BAR HANGER MOUNTING OPTION

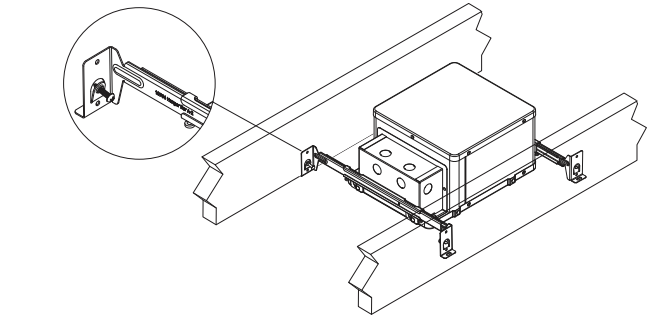
1a. Attach bar hangers to either ends or sides of mounting frame using hole position 1



Bar hanger lock screw

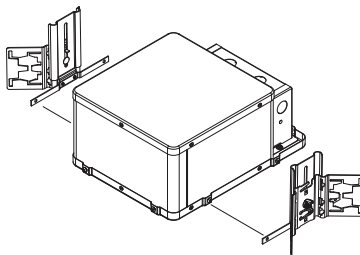
Assemble bar hanger bracket using hole Position 1

1b. Attach mounting frame to joists

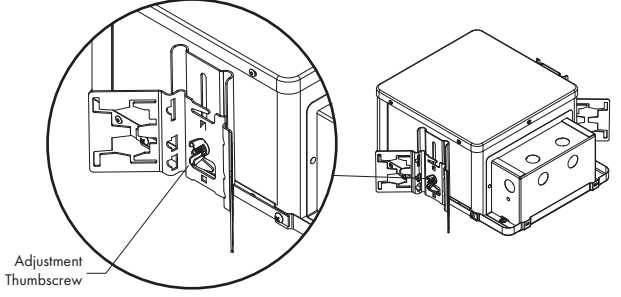


BB - BUTTERFLY BRACKET MOUNTING OPTION

1a. Attach butterfly brackets to either ends or sides of mounting frame



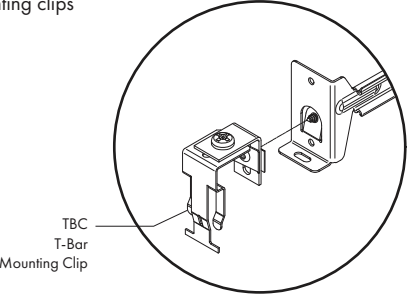
1b. Attach supports to bracket and adjust height with thumbscrew



Adjustment Thumbscrew

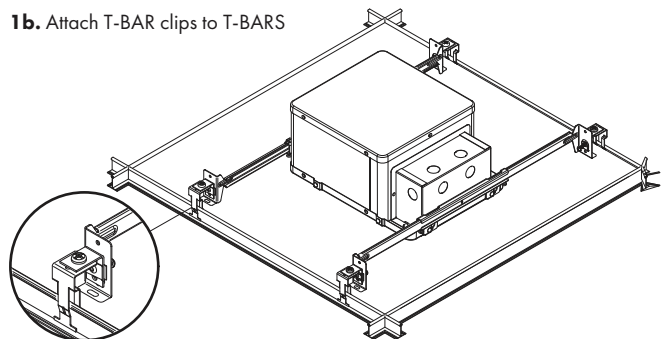
TBC-BH - T-BAR CLIP + BAR HANGER MOUNTING OPTION

1a. Assemble bar hangers as shown above and attach T-BAR mounting clips



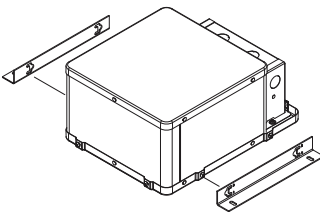
TBC T-Bar Mounting Clip

1b. Attach T-BAR clips to T-BARS

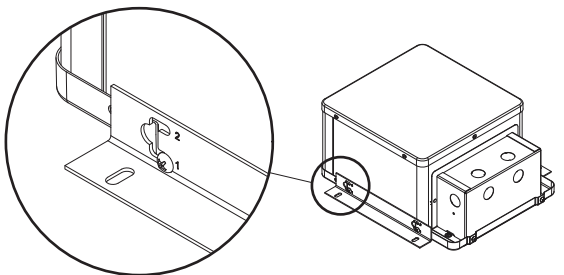


PMB- PANEL MOUNTING BRACKET OPTION

1a. Attach panel mount brackets to either ends or sides of mounting frame.

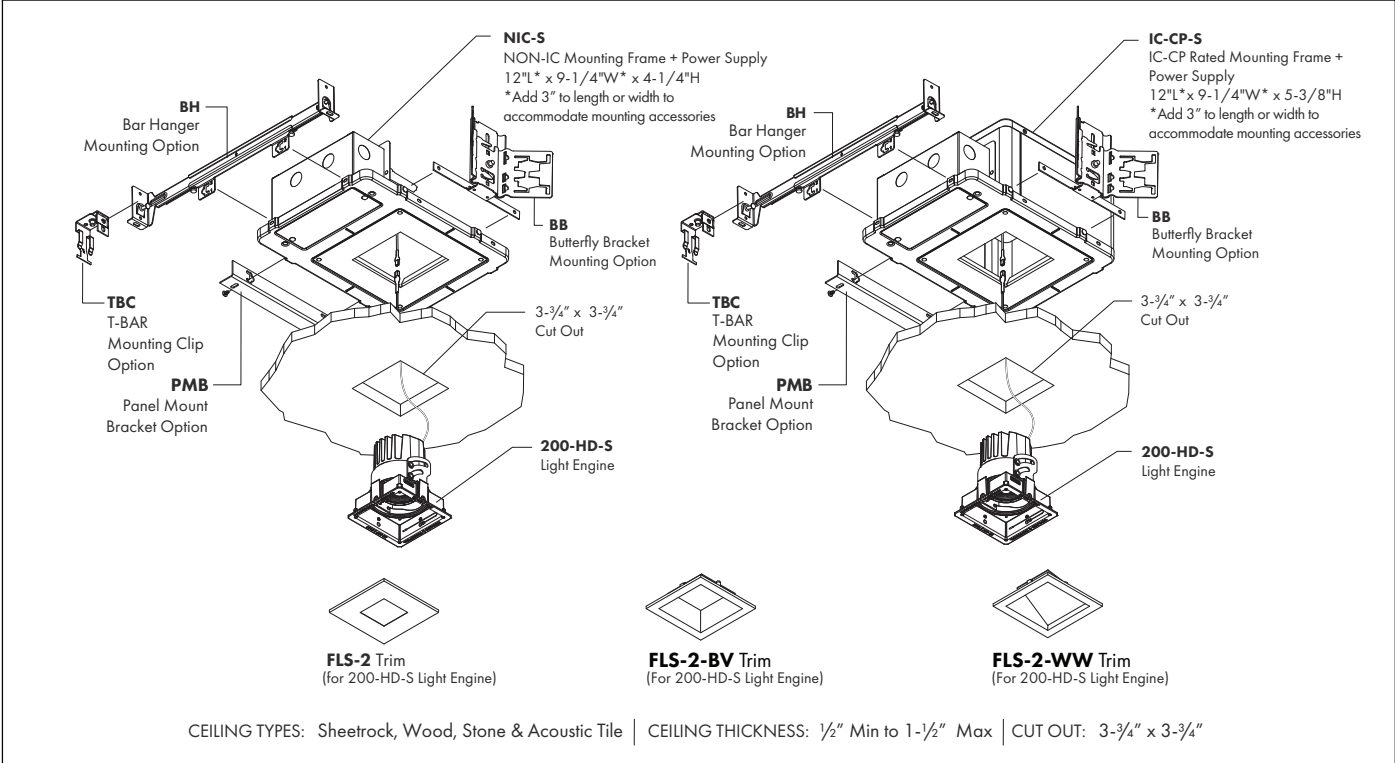


1b. Attach panel mount brackets to panel using hole position 1.

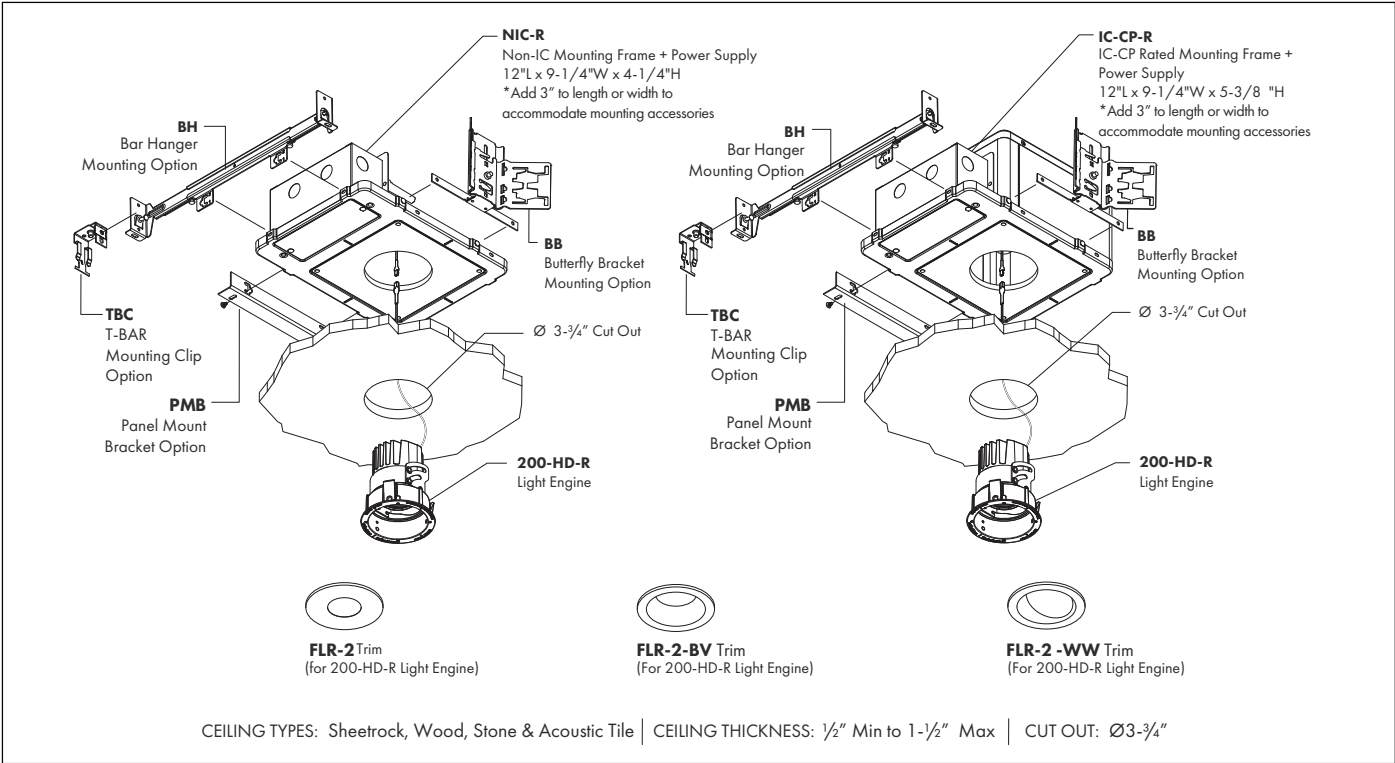


NEW CONSTRUCTION INSTALLATION - FLANGED TRIMS with SHEETROCK, WOOD STONE & ACCOUSTIC TILE

NIC-S and IC-CP-S MOUNTING FRAMES



NIC-R and IC-CP-R MOUNTING FRAMES

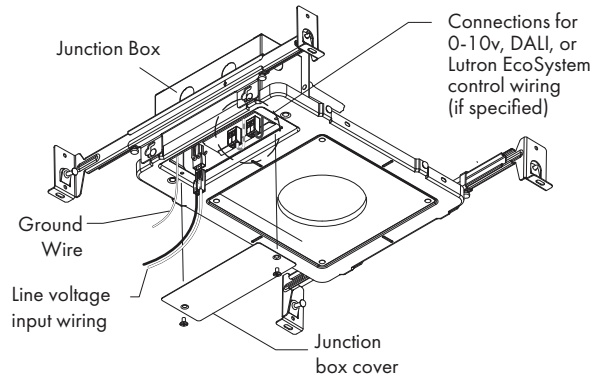


STEP 1 - REFER TO PAGE 3 for MOUNTING FRAME ASSEMBLY AND INSTALLATION

NEW CONSTRUCTION INSTALLATION - FLANGED TRIMS

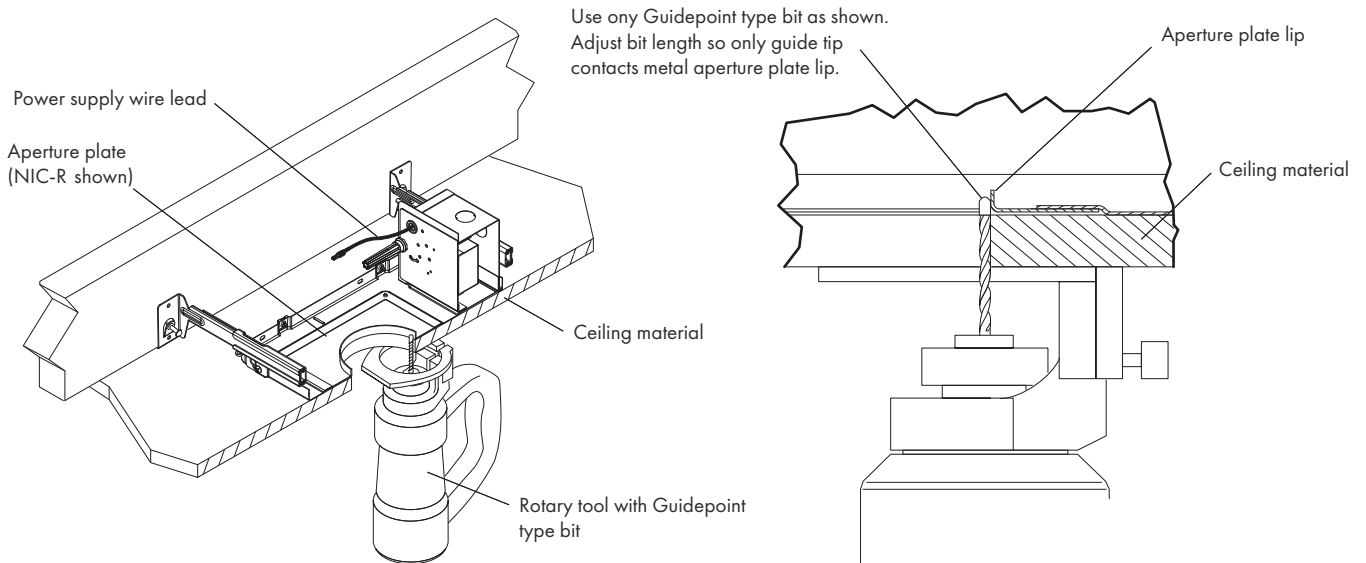
STEP 2 – FIXTURE WIRING

- 2a.** Disconnect power at circuit breaker.
 - 2b.** Remove junction box cover. Install appropriate conduit connector(s) using one or more of the provided junction box knock-outs.
 - 2c.** Review wiring diagrams on pages 15 and 16, wire fixture accordingly. Place all wiring and connectors back in junction box and replace cover.
- Note:** 0-10v, DALI, or Lutron EcoSystem power supplies (if specified) require additional dimming control wiring



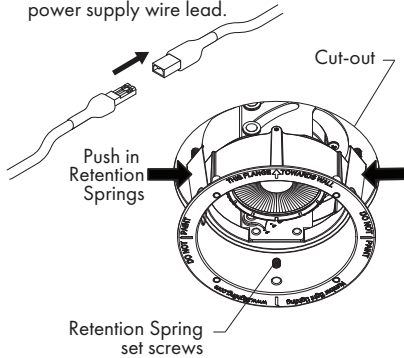
STEP 3 – CEILING CUT-OUT

- 3a.** Install ceiling material over mounting frame noting approximate location of frame aperture. Using a spiral saw with appropriate guide bit, make square or round cut-out for the light engine using mounting frame aperture plate as a guide. **Note:** Use caution to avoid damaging power supply wire lead.

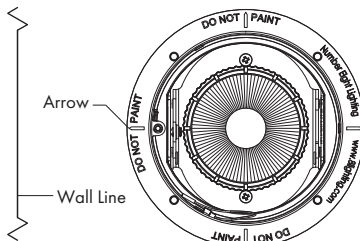


STEP 4 – LIGHT ENGINE WIRING AND INSTALLATION

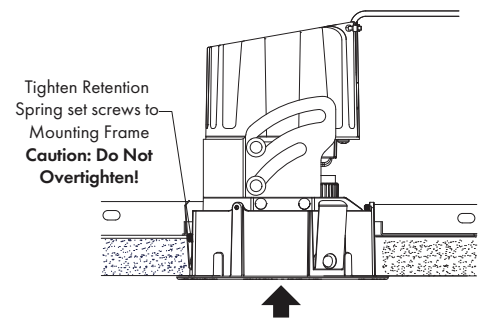
- 4a.** Connect light engine wire lead to power supply wire lead.



- 4b.** Rotate light engine so arrow shown on flange is perpendicular



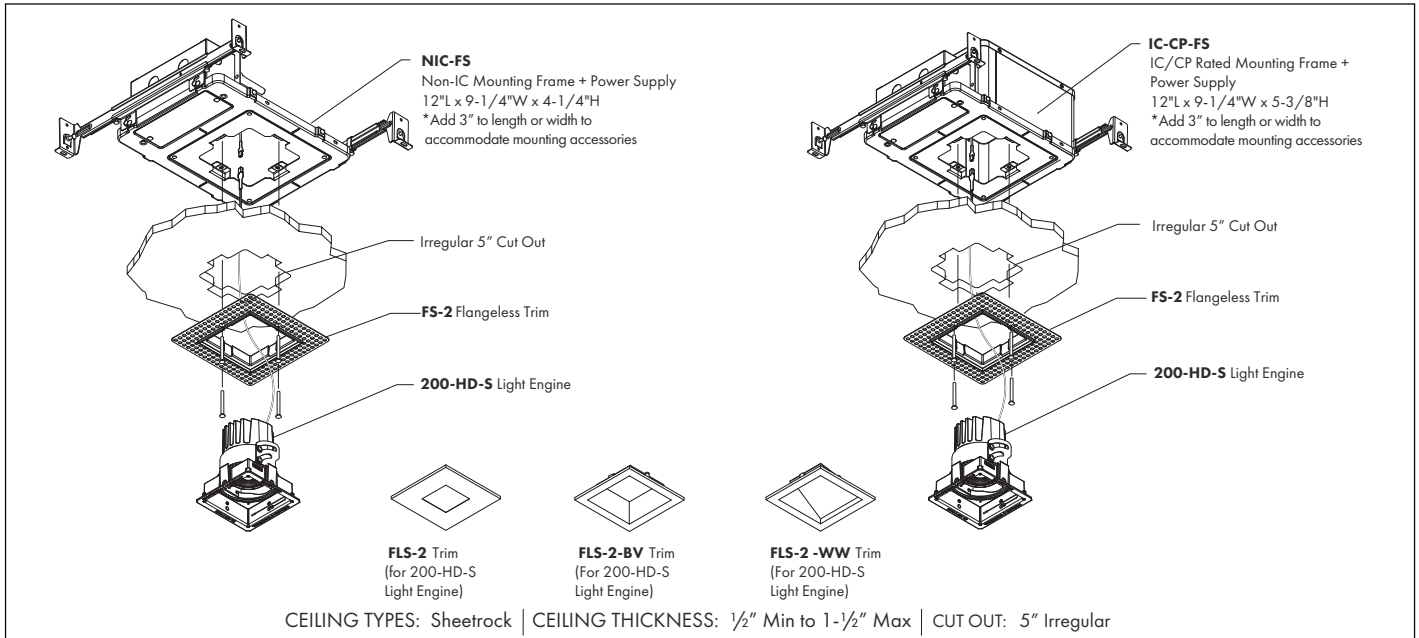
- 4c.** Install light engine through cut-out and flush to ceiling



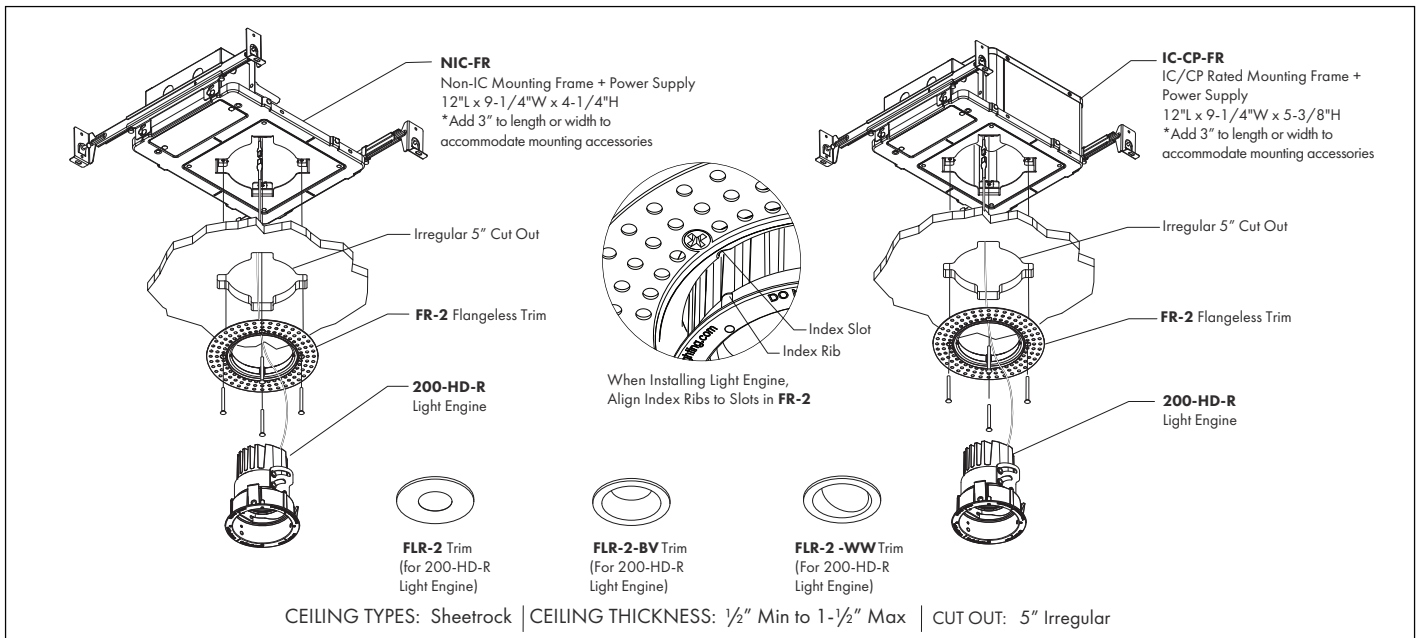
- 4d.** Install trim plate (see Page 14).

NEW CONSTRUCTION INSTALLATION - FLANGELESS TRIMS and SHEETROCK CEILINGS

NIC-FS and IC-CP-FS MOUNTING FRAMES



NIC-FR and IC-CP-FR MOUNTING FRAMES

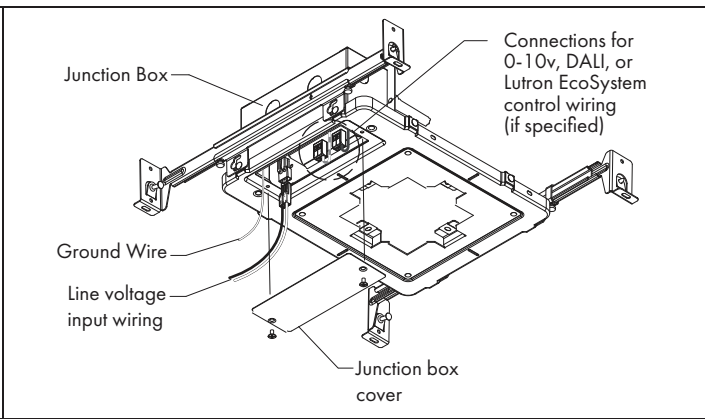


STEP 1 - REFER TO PAGE 3 for MOUNTING FRAME ASSEMBLY AND INSTALLATION

NEW CONSTRUCTION INSTALLATION - FLANGELESS TRIMS with SHEETROCK CEILINGS

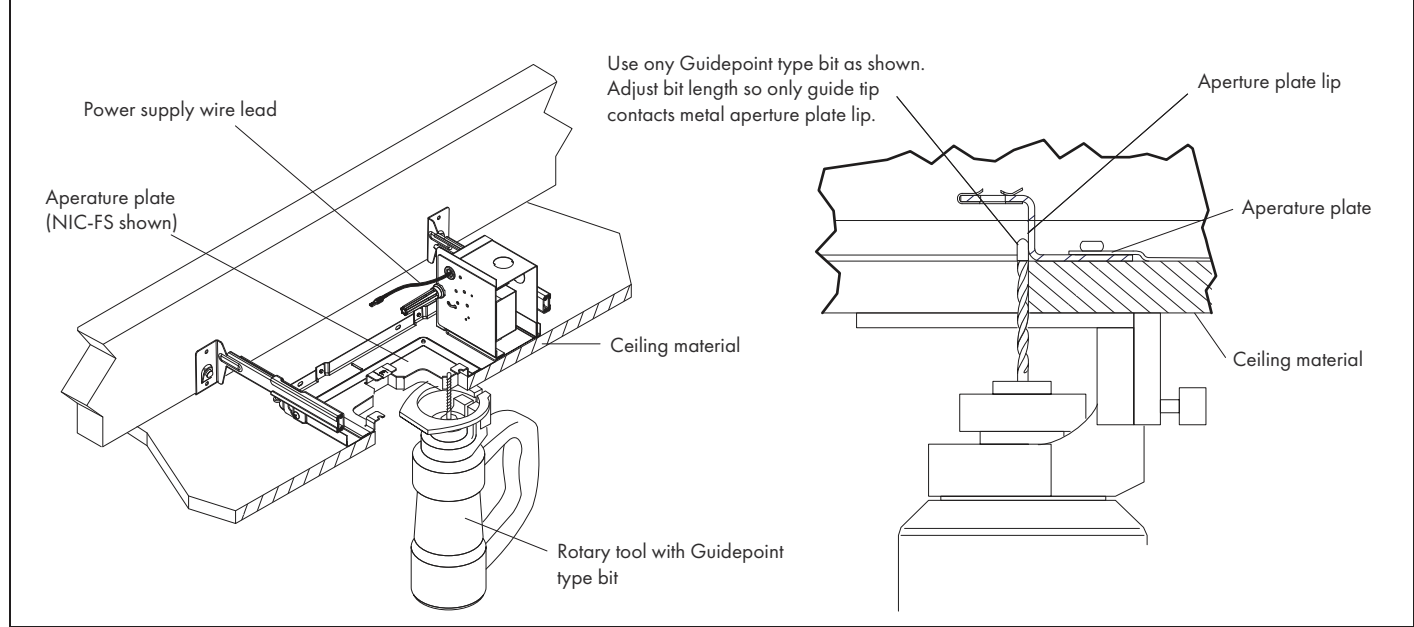
STEP 2 – FIXTURE WIRING

2a. Disconnect power at circuit breaker.
2b. Remove junction box cover. Install appropriate conduit connector(s) using one or more of the provided junction box knock-outs.
2c. Review wiring diagrams on pages 13 and 14, wire fixture accordingly. Place all wiring and connectors back in junction box and replace cover.
Note: 0-10v, DALI, or Lutron EcoSystem power supplies (if specified) require additional dimming control wiring



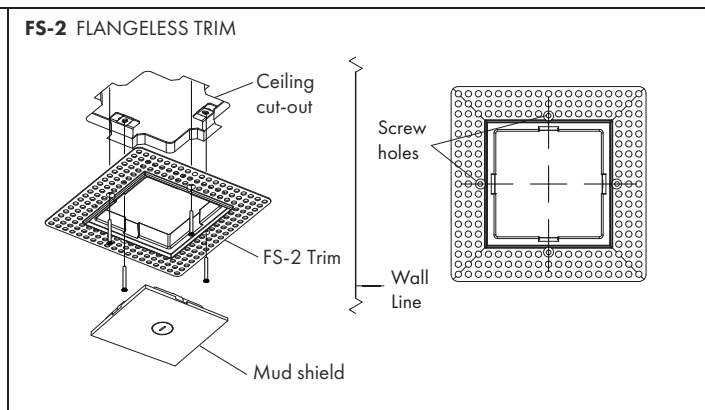
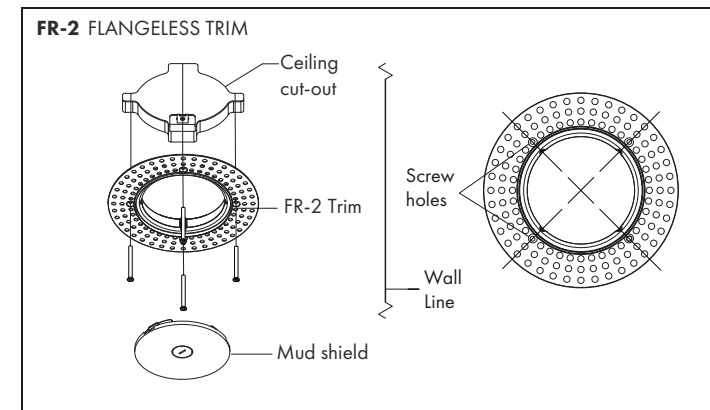
STEP 3 – CEILING CUT-OUT

3a. Install ceiling material over mounting frame noting approximate location of frame aperture. Using a spiral saw with appropriate guide bit, make square or round cut-out for the light engine using mounting frame aperture plate as guide. **Note:** Use caution to avoid damaging power supply wire lead.



STEP 4 – FLANGELESS TRIM INSTALLATION

4a. Remove mud shield and save. Install FS-2 or FR-2 flangeless trim to mounting frame through cut-out using 4x FHMS 8-32 screws provided. Note: do not tighten screws until Step 4b.
4b. Rotate trim to be aligned with adjacent walls or fixtures as shown below. Note: hand tighten trim screws. Power driver is not recommended.

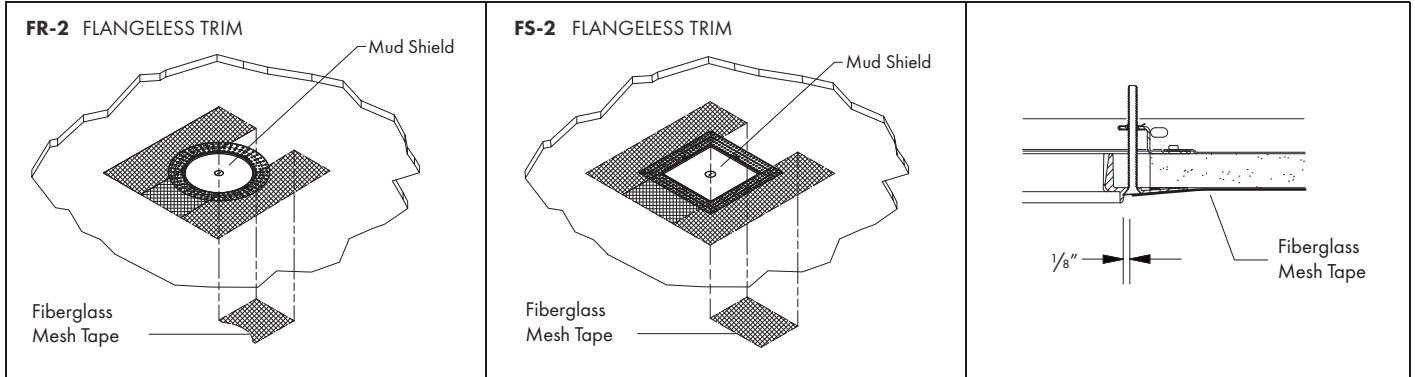


NEW CONSTRUCTION INSTALLATION - FLANGELESS TRIMS with SHEETROCK CEILINGS

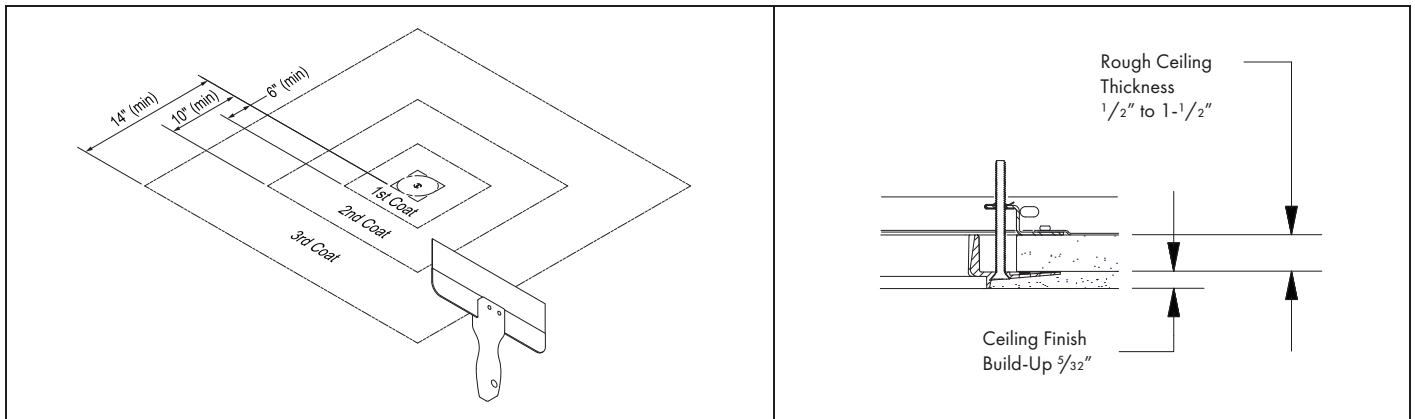
STEP 4 – FLANGELESS TRIM INSTALLATION (CONTINUED)

4c. Reinstall mud shield

4d. Apply 6" wide fiberglass mesh tape over perforated metal trim flange leaving 1/8" cut-out around the outside edge of the raised trim lip and extending over sheetrock.



4e. Apply ceiling finish around FR-2 or FS-2 flangeless trim. Note: Minimum Level 4 or 5 finish is recommended.



4f. First Coat - Apply USG "Durabond" setting-type joint compound for embedding the perforated flange and fiberglass mesh tape following the manufacturer's instructions and warnings for outside corners and trim. The compound should extend a minimum of 6" from the edge. Allow first coat to dry completely and remove any high spots by lightly sanding before applying the second coat.

4g. Second Coat - Apply USG general purpose ready-mixed joint compound flush to finished edge of trim, floating outward following the manufacturer's instructions and warnings. The compound should extend a minimum of 10" from the trim edge. Allow second coat to dry completely and remove any high spots by lighting sanding before applying the third coat.

4h. Third Coat - Apply USG ready-mixed finishing joint compound flush to finished edge of trim, floating outward following the manufacturer's instructions and warnings. The compound should extend a minimum of 14" from the trim edge. Allow third coat to dry completely before sanding.

4i. Remove mud shield.

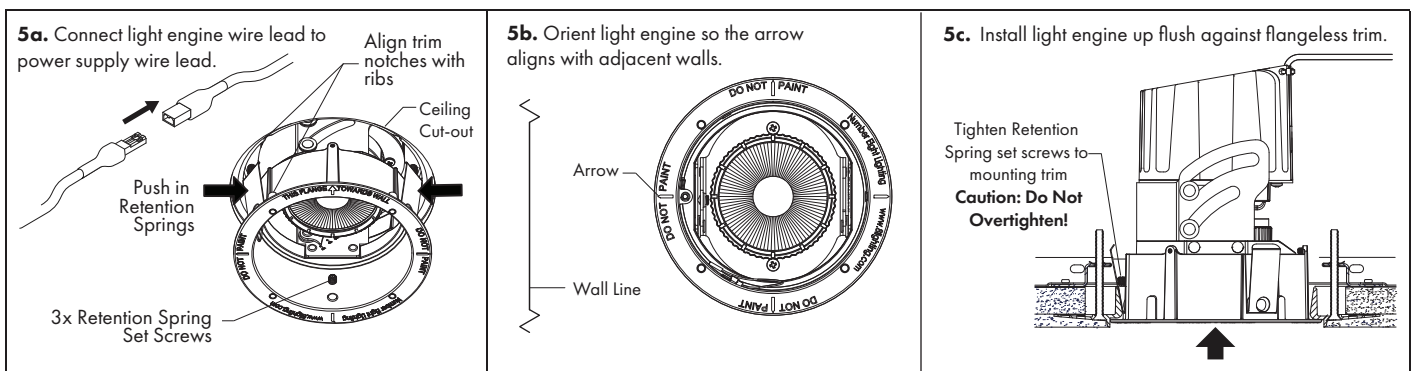
4j. Sand third coat with fine grit sandpaper until mud shield and finished metal edge of trim lip are barely exposed.

4k. Remove mud shield.

4l. Apply primer (USG Sheetrock or equivalent) and paint following the paint manufacturer's instructions and warnings.

Caution: Do not paint inside of FR-2 or FS-2 trim surface.

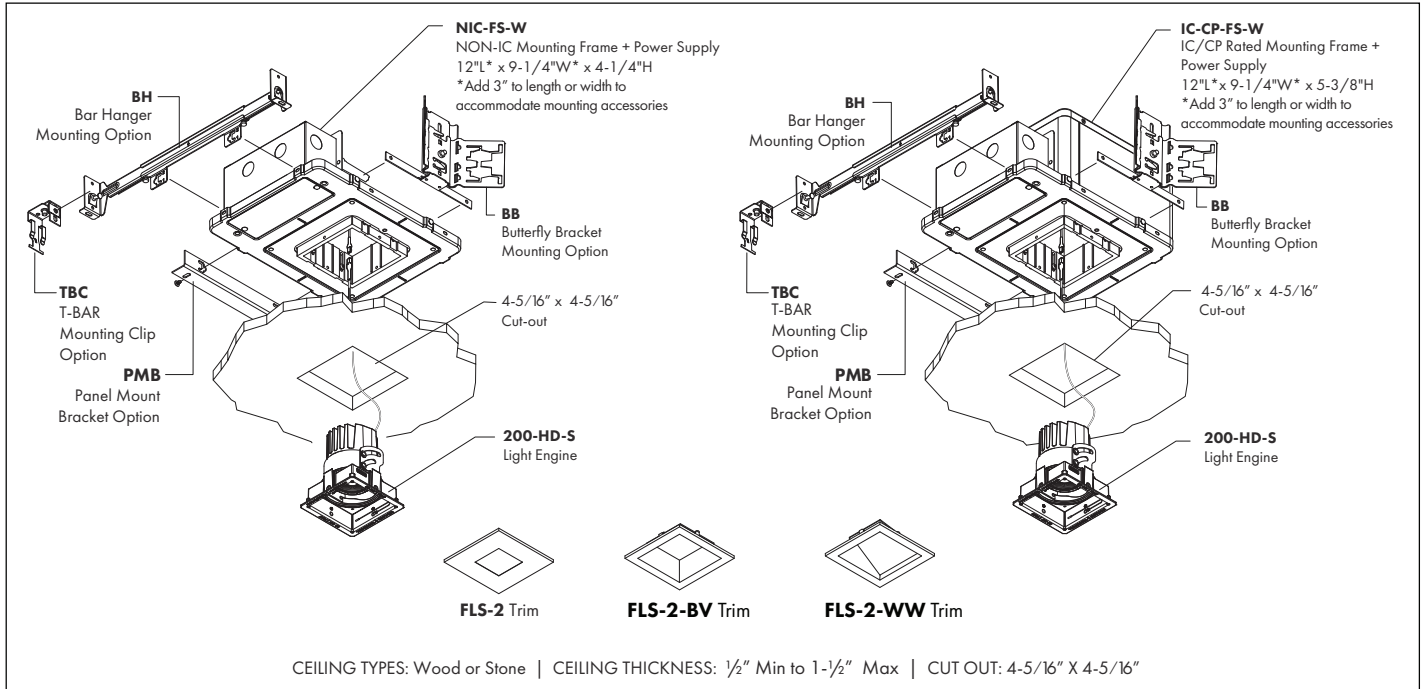
STEP 5 – LIGHT ENGINE WIRING AND INSTALLATION



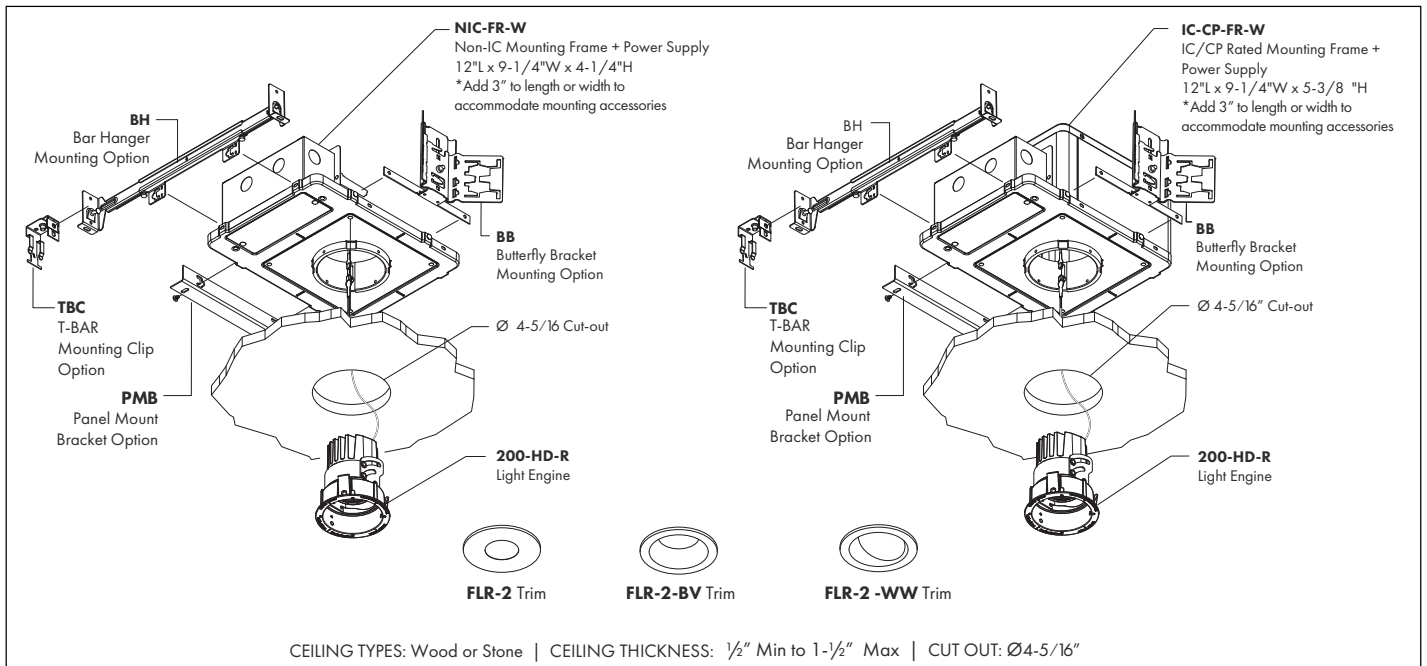
5d. Install trim plate (see Page 14).

NEW CONSTRUCTION INSTALLATION - FLANGELESS TRIMS with WOOD/STONE CEILINGS

NIC-FS-W and IC-CP-FS-W MOUNTING FRAMES



NIC-FR-W and IC-CP-FR-W MOUNTING FRAMES



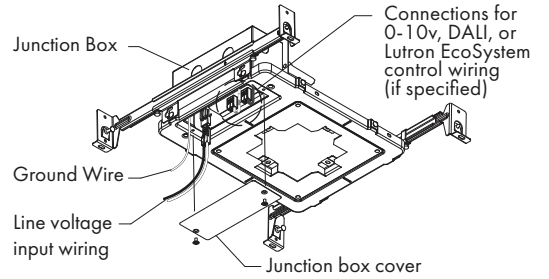
STEP 1 - REFER TO PAGE 3 for MOUNTING FRAME ASSEMBLY AND INSTALLATION

NEW CONSTRUCTION INSTALLATION - FLANGELESS TRIMS with WOOD/STONE CEILINGS

STEP 2 – FIXTURE WIRING

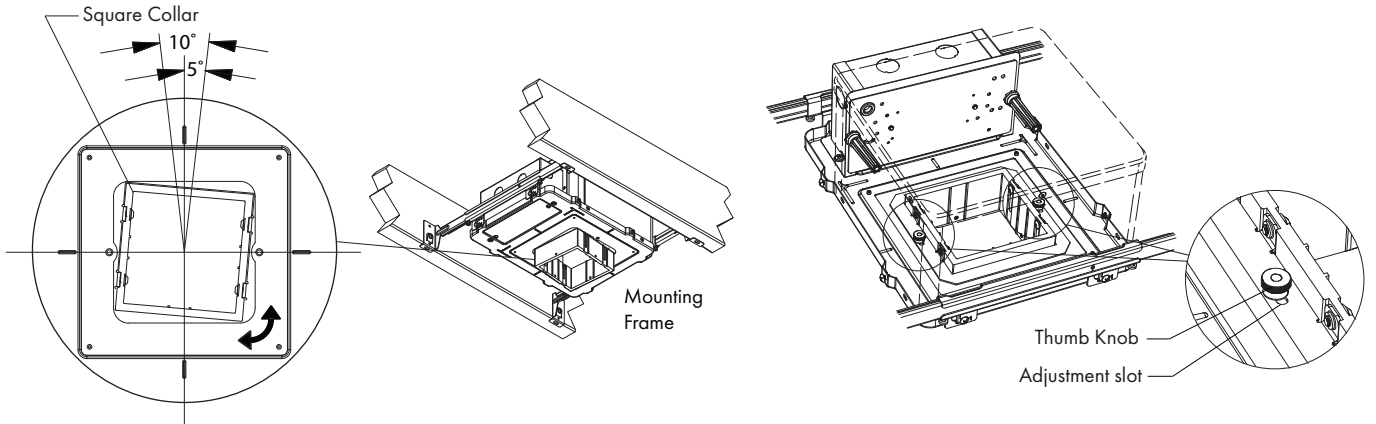
- 2a.** Disconnect power at circuit breaker.
- 2b.** Remove junction box cover. Install appropriate conduit connector(s) using one or more of the provided junction box knock-outs.
- 2c.** Review wiring diagrams on pages 13 and 14, wire fixture accordingly.
Place all wiring and connectors back in junction box and replace cover.

Note: 0-10v, DALI, or Lutron EcoSystem power supplies (if specified) require additional dimming control wiring.



STEP 3 (OPTIONAL) – SQUARE COLLAR ANGLE ADJUSTMENT

Note: The Square Collar can be rotated +/- 5° to align with adjacent wall or fixtures. Thumb Knobs shown below will permit adjustment.



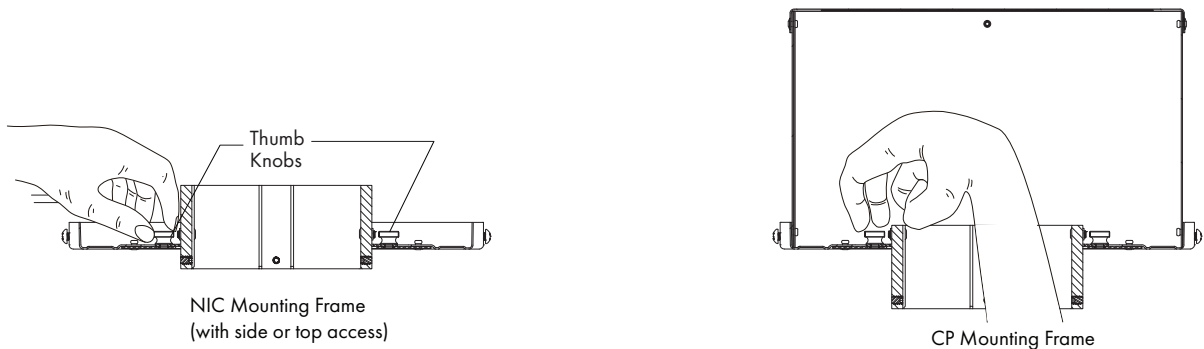
- 3a.** Loosen (do not remove) the 4x Collar Screws using supplied 5/32" allen key & pull the Square Collar down to the lowest position.
Note that the Collar Screws do not need to be fully tightened again until after determining final height adjustment for the Square Collar (see page 12).



- 3b.** Loosen two Thumb Knobs inside the Mounting Frame adjust the angle as needed.

Note: For open NIC Mounting Frames the two knobs may be accessible from above or the sides. For IC-CP mounting frames the knobs can only be accessed through the square collar.

- 3c.** Hand tighten the Thumb Knobs to lock-in the desired angle.

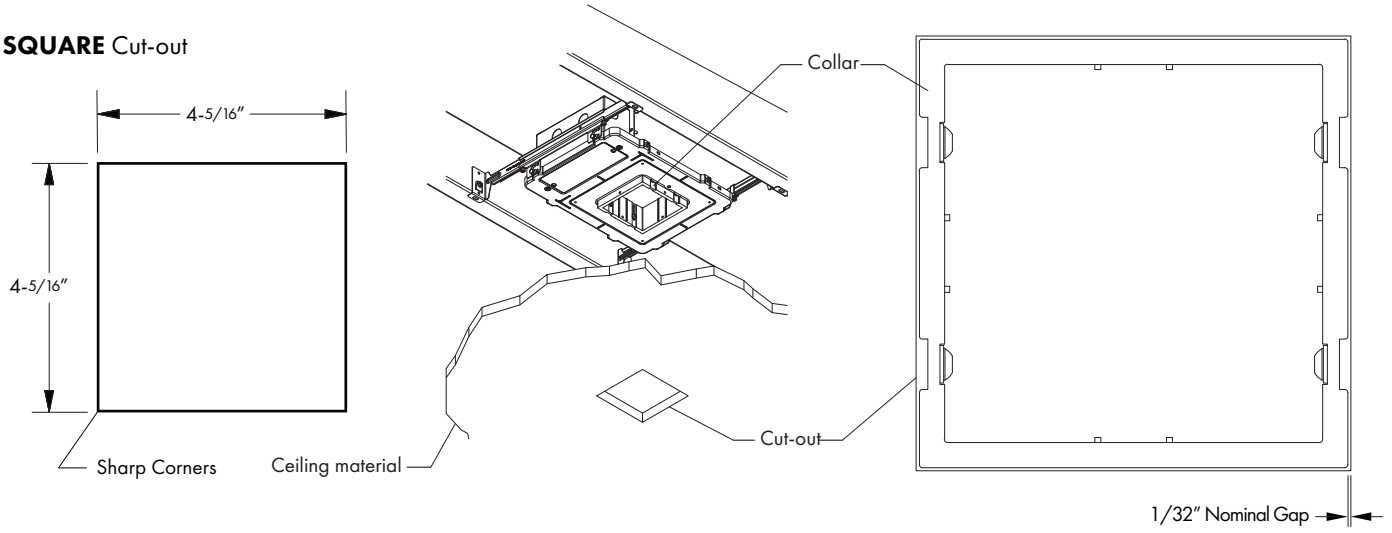


NEW CONSTRUCTION INSTALLATION - FLANGELESS TRIMS with WOOD/STONE CEILINGS

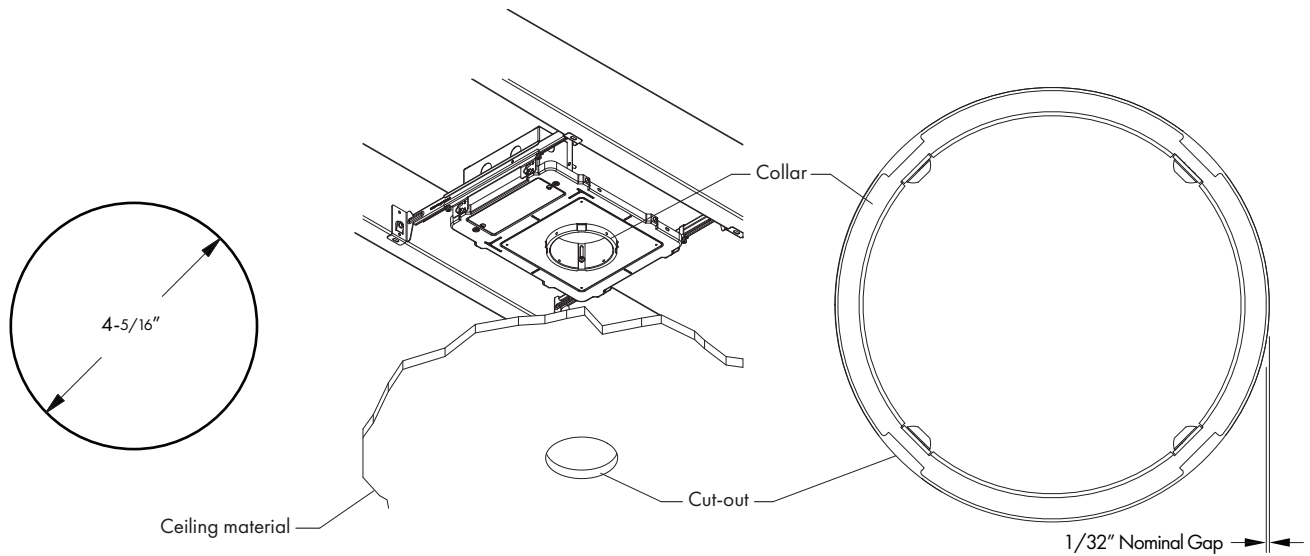
STEP 4 - CEILING CUT-OUT

4a. Ceiling cut-out must be precisely located & oriented to Square or Round collar location. All dimensions are +/- 1/32".

SQUARE Cut-out



ROUND Cut-out



NEW CONSTRUCTION INSTALLATION - FLANGELESS TRIMS with WOOD/STONE CEILINGS

STEP 5 – FLANGELESS TRIM COLLAR ADJUSTMENT

CAUTION: Accurate Collar depth is required to install trim plate flush to surface. To ensure trim plate will be flush to the mounting surface, the collar must be recessed up into the mounting surface by the depth of the supplied trim plate gauge tip. Use tip marked **<200**.

5a. Loosen the collar screws and check depth of collar at each set screw location using the trim plate gauge.

5b. Confirm depth using gauge. Once depth is corrected at each location, tighten the set screws to lock in the collar depth. (DO NOT OVERTIGHTEN!)

5c. Tighten 4x collar screws.

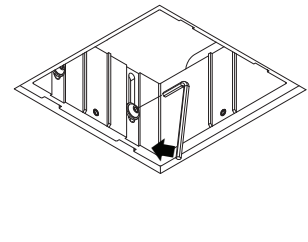
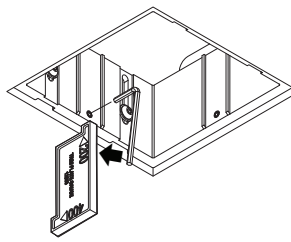
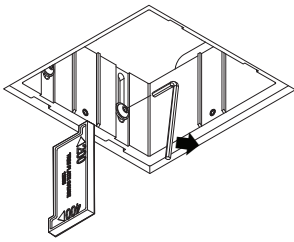
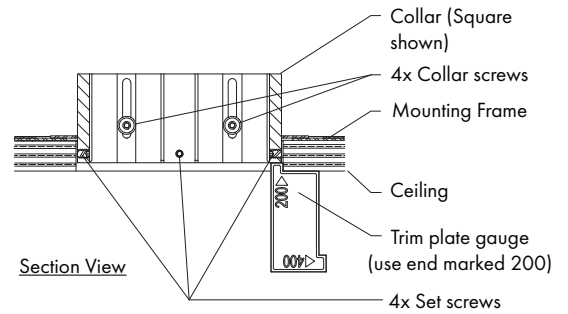


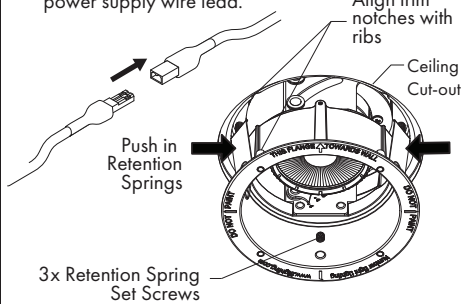
Fig 5a. Loosen Collar Screws, check & adjust Collar depth.

Fig 5b. Confirm depth and tighten Set Screws. DO NOT OVERTIGHTEN.

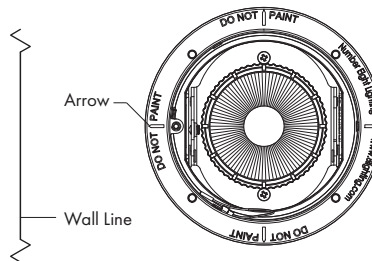
Fig 5c. Tighten Collar Screws.

STEP 6 – Light Engine Installation

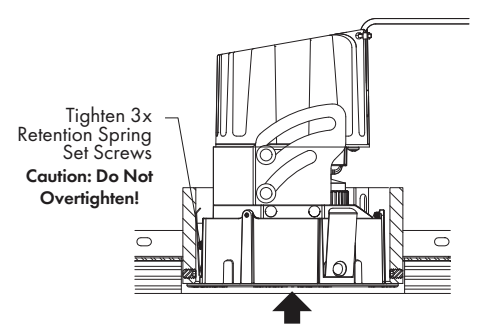
6a. Connect light engine wire lead to power supply wire lead.



6b. Orient light engine so arrow shown on flange will be perpendicular with adjacent wall.



6c. Install light engine through cut-out and flush up against ceiling.



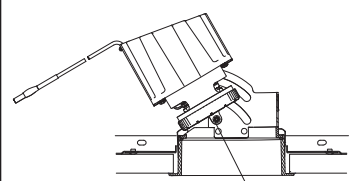
6d. Install trim plate (see page 14).

AIMING & ADJUSTMENT

STEP 1 – AIMING AND ADJUSTMENT

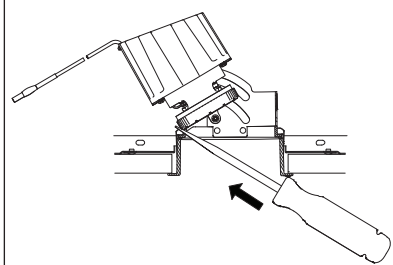
VERTICAL AIMING ANGLE ADJUSTMENT

1a. Loosen vertical lock screw using 5/64" hex key.

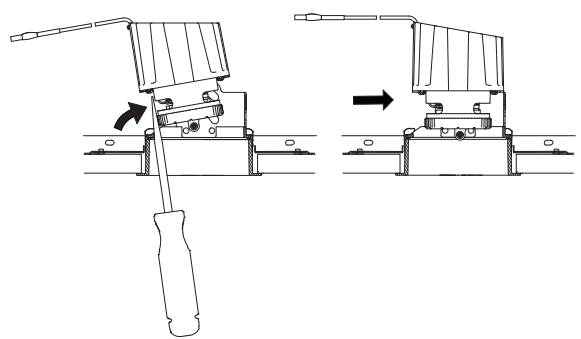


Vertical lock set screw

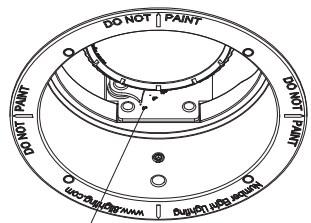
1b. Insert flat blade screw driver as shown.



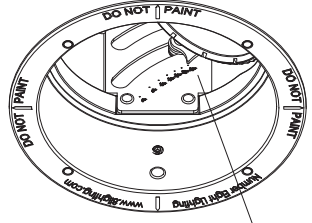
1c. Use flat blade screw driver to adjust light engine.



1d. Adjust light engine to desired vertical angle. Lock set screw at desired position.



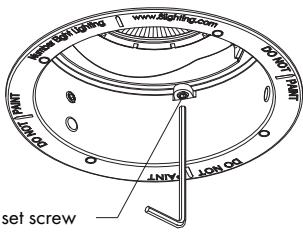
0 deg vertical adjustment



30 deg vertical adjustment

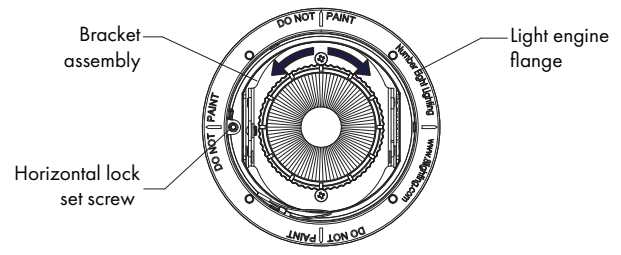
HORIZONTAL AIMING ANGLE ADJUSTMENT

1e. Unlock set screw using 5/64" Hex Key.



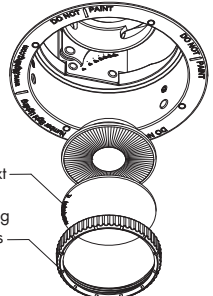
Horizontal lock set screw

1f. Rotate the bracket assembly to desired angle (rotates 0-360°). Lock set screw.



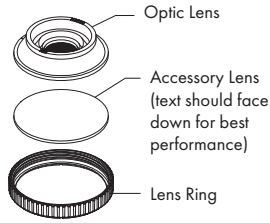
STEP 2 – LENS AND ACCESSORY REMOVAL AND REPLACEMENT

- 2a.** Remove the lens ring from the lamp holder by unscrewing counter-clockwise. **Note:** Use flat head screw driver in lens ring notches if required to loosen.
- 2b.** Remove optic lens (and accessory lens if used) from the lens ring.
- 2c.** Install desired optic (and accessory lens if used) into the lens ring.
- 2d.** Reinstall lens ring on to lamp holder by turning clockwise.



Accessory Lens ID text

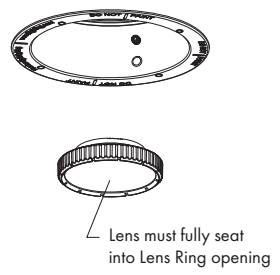
Lens Ring Notches



Optic Lens

Accessory Lens (text should face down for best performance)

Lens Ring



Lens must fully seat into Lens Ring opening

TRIM PLATE FINISHING & INSTALLATION

STEP 1. (OPTIONAL) - PAINT TRIM PLATE

1a. Remove the trim plate from packaging.

1b. Clean and prepare exposed surfaces for painting following the paint manufacturers instructions and warnings.

1c. Paint as desired using a "dry roller" or light spray application.

Note: If applying paint by spray method, mask trim plate lens (If installed).

Caution: Paint must be rated for minimum 90 C (150 F). Do not paint trim plate while installed in fixture. Do not paint backside of trim plate or safety cable.

Do not paint edges of trim plate if using with **FR-2** or **FS-2** flangeless trim.

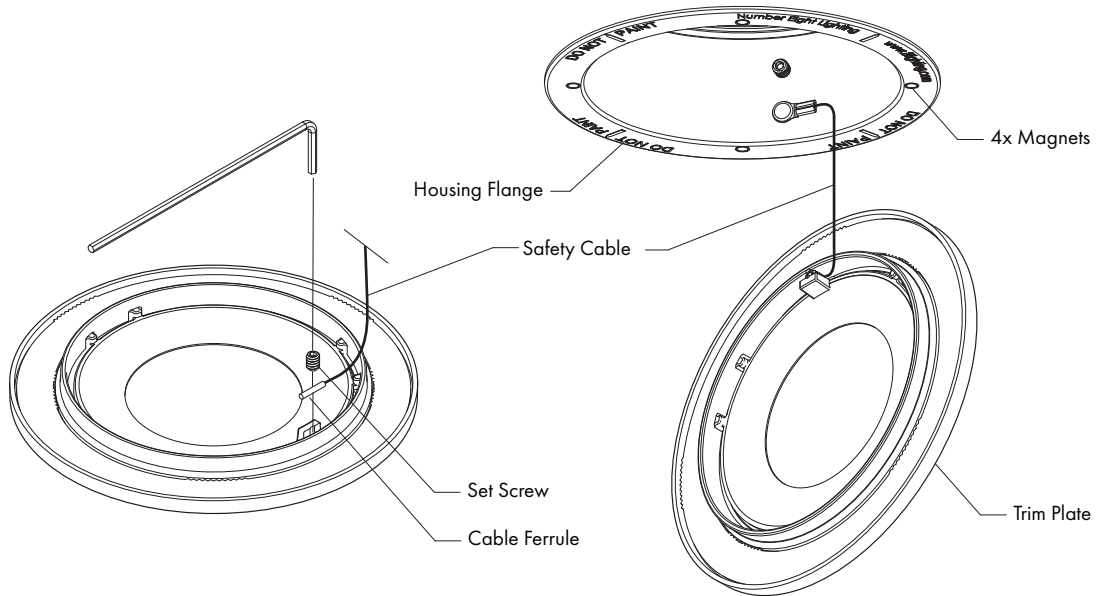
1d. Allow trim plate to dry completely before installing.

STEP 2 – INSTALL TRIM PLATE

2a. Loosen set screw in trim plate to accept safety cable.

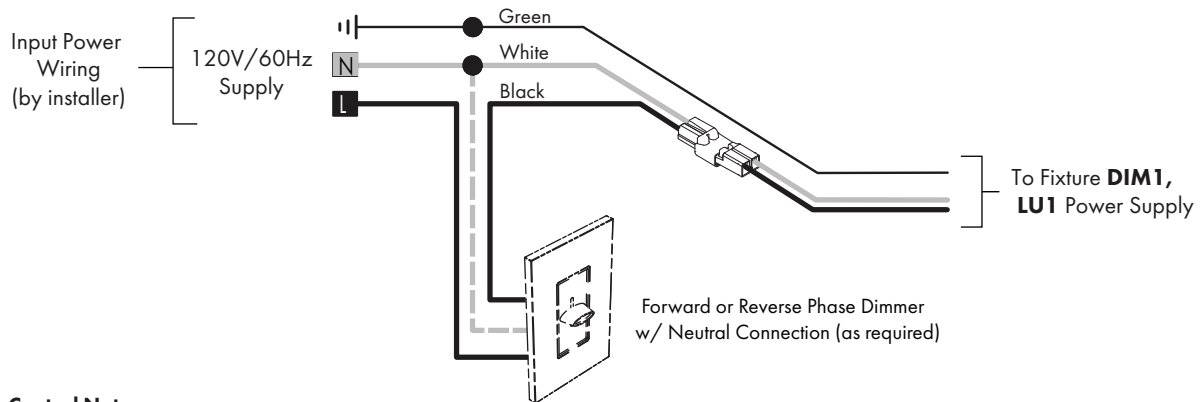
2b. Extend trim safety cable out of housing and insert cable ferrule under set screw from side and secure with 1/16" hex key.

2c. Install Trim Plate onto Housing Flange. Trim Plate will be retained on housing flange by magnets.



WIRING DIAGRAMS

DIM1 / LU1 - PHASE CONTROL



Phase Control Notes:

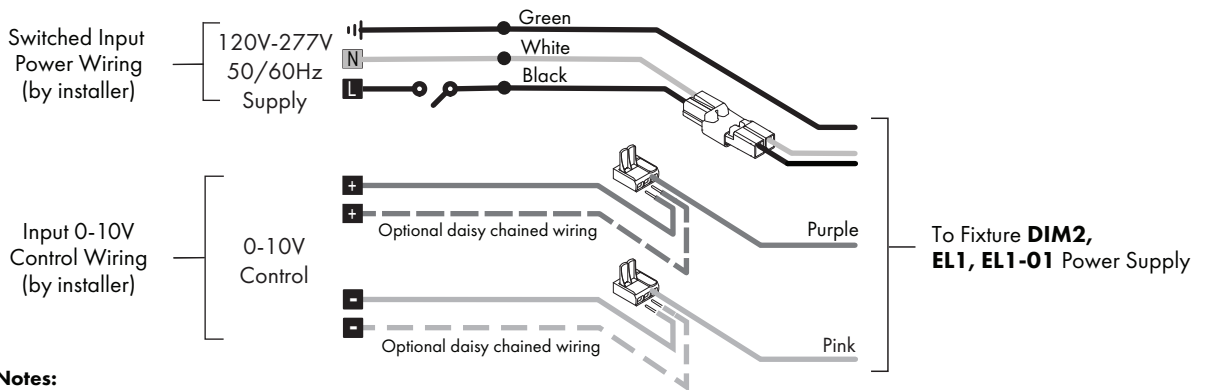
DIM1 drivers are Forward or Reverse Phase dimmable.

For compatible dimmers for use with **DIM1** drivers see: www.8lighting.com/resources-downloads

LU1 drivers are Forward Phase dimmable only.

For compatible dimmers for use with **LU1** driver, contact Lutron LED Center of Excellence at 1.877.346.5338 or LEDs@lutron.com

DIM2 / EL1 & EL1-01 - 0-10V CONTROL



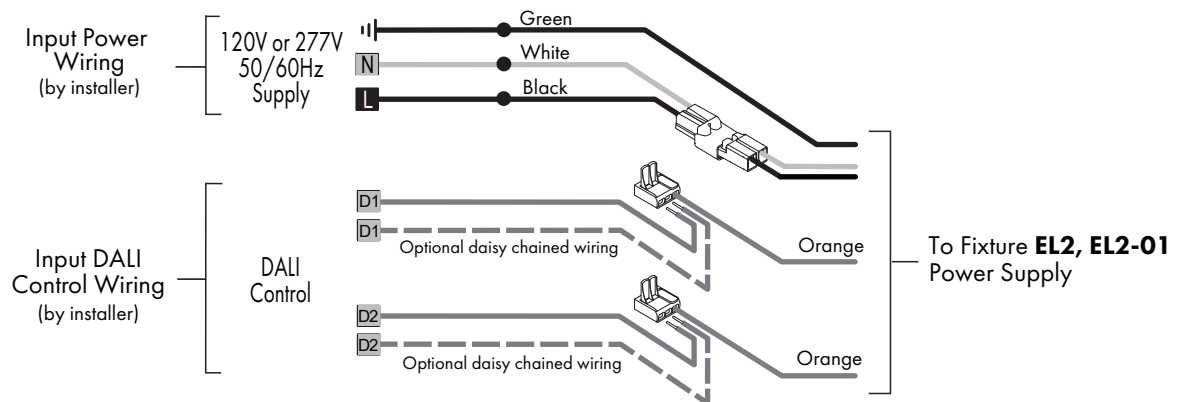
0-10V Control Notes:

0-10V control wiring is polarity sensitive and should be run as Class 2.

300' is the maximum control wiring run length to reduce EMI susceptibility and voltage drop. Voltage drop should be no greater than 0.3V.

For compatible dimmers for use with **DIM2 / EL1, EL1-01** drivers see: www.8lighting.com/resources-downloads.

EL2 / EL2-01 - DALI CONTROL

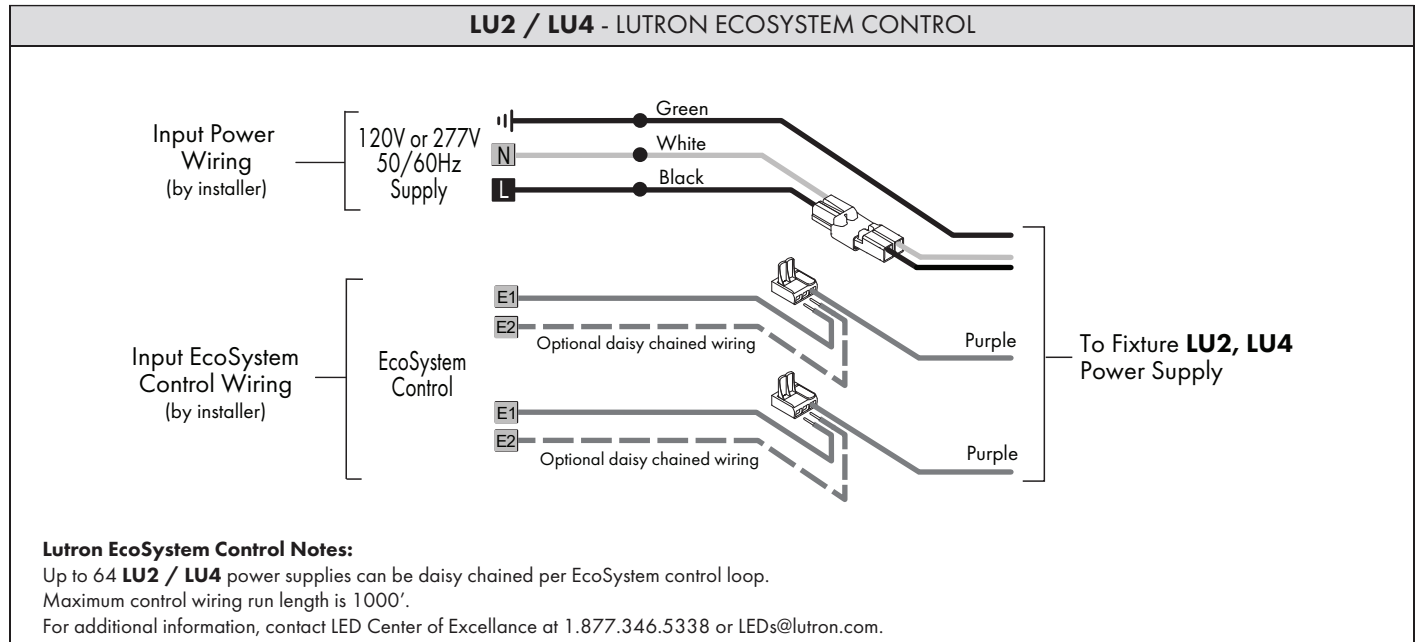


DALI Control Notes:

DALI control wiring is not polarity sensitive and can be run as Class 1 or 2. Up to 64 **EL2, EL2-01** power supplies can be daisy chained per DALI control loop. Maximum control wiring run length is 1000'.

For compatible dimmers for use with **EL2, EL2-01** drivers see: www.8lighting.com/resources-downloads

WIRING DIAGRAMS continued





8lighting.com

Number Eight Lighting Company, 526 Portal Street, Cotati, CA 94931
Phone: (707) 794-0888 Fax: (707) 795-4379 Email: customerservice@8lighting.com