



Trim Installation-Plaster/Sheetrock Ceilings

Recessed Housing Model 800 Series

Determining Housing Position For Trim

IMPORTANT: Housing must be in correct height position for Trim Kit model before installing Trim Kits.

- STEP 1 Determine which Trim Kit model below is specified for use on housing.
Check Hanger Bracket position on housing according to **Table 1.1** & **FIG 1.1** & **1.2**.
STEP 2 Adjust Hanger Bracket position as needed-**FIG 1.2**.

- ▶ For ceiling cutout details - see Page 2.
- ▶ For Trim Installation details - see Page 3 & 4
- ▶ For Trim ceiling finishing details - see Page 5 to 7

Caution:

Be sure to select correct hole position for intended Trim assembly. Changing hole position is **not possible** after ceiling is installed.

Table 1.1 Hanger Bar Bracket Position Chart

Trim Styles	For Ceiling Thickness Range	Position #
FR-P, FS-P	1/2" to 1"	Lower #1
INR-P, INS-P (Not for use with 804D Series)	1/2" to 1"	Upper #2
	1" to 1-1/2"	Lower #1

Trim Kit Models

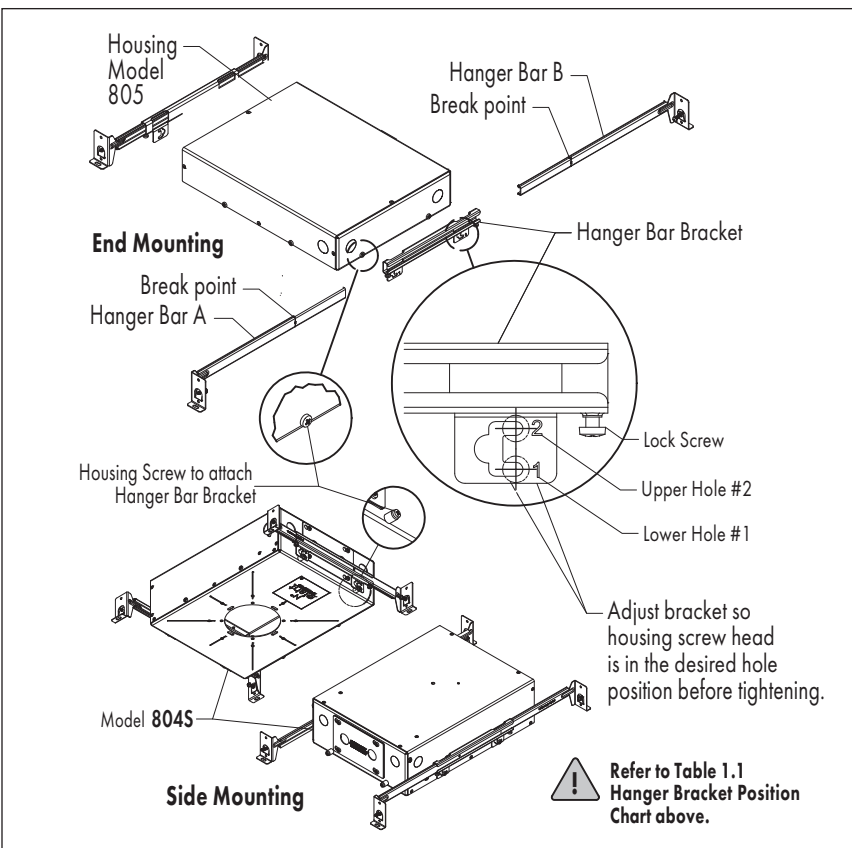
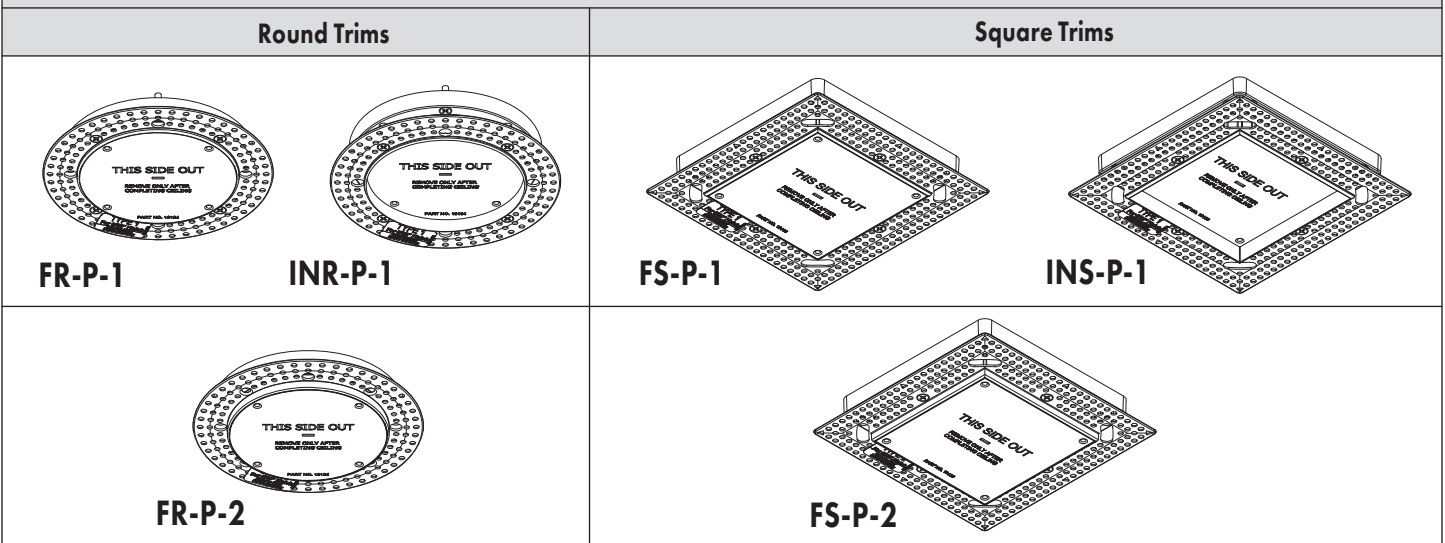


FIG 1.1 Installing Hanger Bar & Hanger Bracket Set

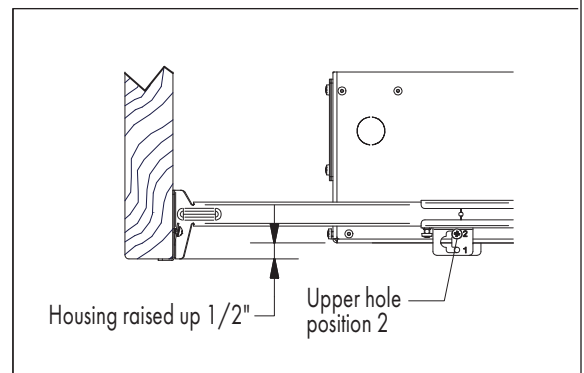


FIG 1.2 Hole Position 1 Housing Location

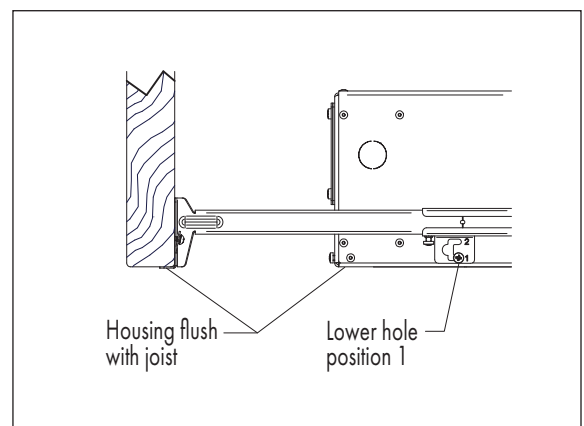


FIG 1.2 Hole Position & Housing Location




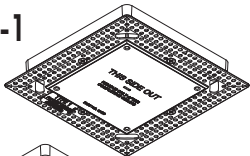
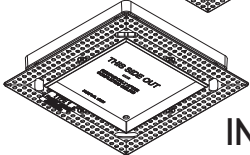
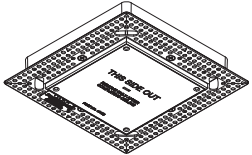
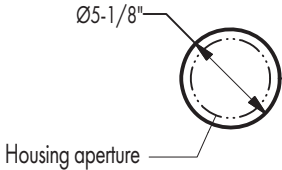
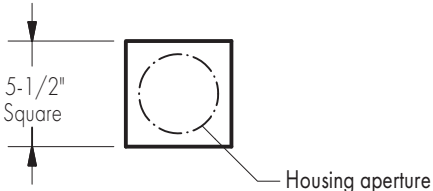
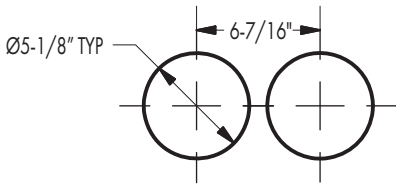
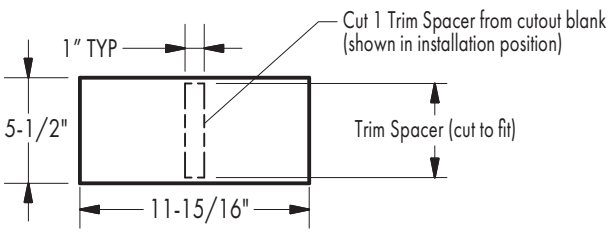
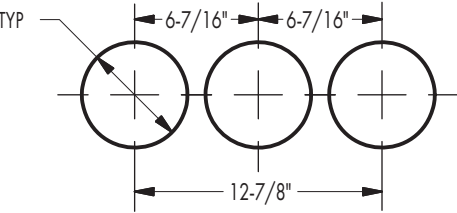
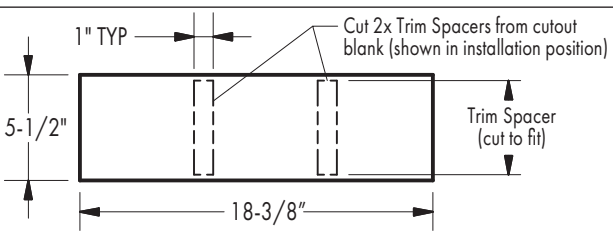
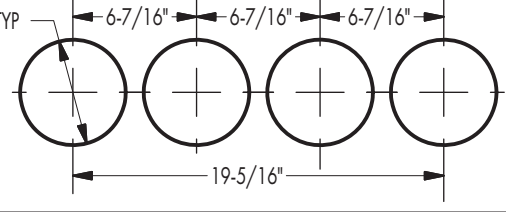
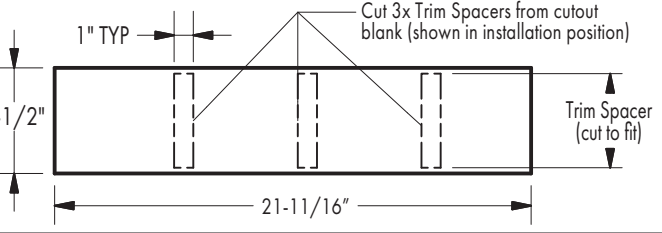
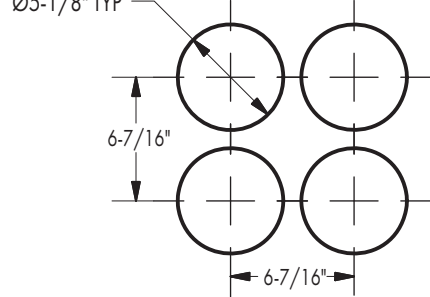
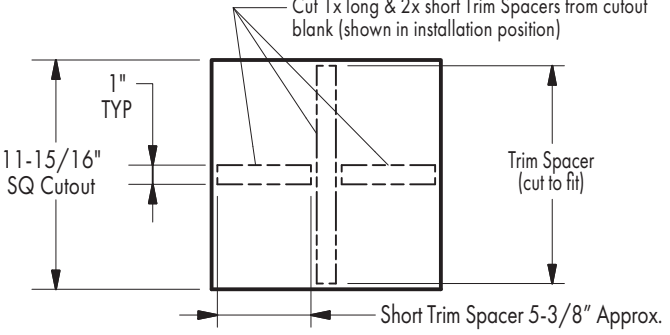


Trim Cutout Chart-Plaster/Sheetrock Ceilings

STEP 3 Accurately measure cutout location (for housing aperture center) & mark centers in ceiling material. Cut openings in ceiling board as dimensioned below.

IMPORTANT: Cutout location accuracy is critical, always double check measurements before cutting.

Note: Trim Spacers are required with Square Trims used on Multi-Lamp Housings only. Spacers can be cut randomly from anywhere within square trim ceiling board cutout blanks shown below. Trim Spacer thickness must be identical to ceiling board used. Refer to page 4 for Trim Spacer installation details.

	Round	Square
Trim Model	<p>FR-P-1</p>  <p>INR-P-1</p>  <p>FR-P-2</p> 	<p>FS-P-1</p>  <p>INS-P-1</p>  <p>FS-P-2</p> 
Lamp Housing	<p>Round Trim Ceiling Cutouts</p>  <p>Ø5-1/8"</p> <p>Housing aperture</p> <div style="border: 1px solid black; padding: 5px; width: fit-content;"> <p>Tolerances: All Round Trim Cutouts ± 1/16" CTR-CTR ± 1/32"</p> </div>	<p>Square Trim Ceiling Cutouts & Trim Spacers</p>  <p>5-1/2" Square</p> <p>Housing aperture</p> <div style="border: 1px solid black; padding: 5px; width: fit-content;"> <p>Tolerances: All Square Trim Cutouts +1/8"</p> </div>
2 Lamp Housing	 <p>Ø5-1/8" TYP</p> <p>6-7/16"</p>	 <p>1" TYP</p> <p>5-1/2"</p> <p>11-15/16"</p> <p>Cut 1 Trim Spacer from cutout blank (shown in installation position)</p> <p>Trim Spacer (cut to fit)</p>
3 Lamp Housing	 <p>Ø5-1/8" TYP</p> <p>6-7/16"</p> <p>6-7/16"</p> <p>12-7/8"</p>	 <p>1" TYP</p> <p>5-1/2"</p> <p>18-3/8"</p> <p>Cut 2x Trim Spacers from cutout blank (shown in installation position)</p> <p>Trim Spacer (cut to fit)</p>
4 Lamp Housing	 <p>Ø5-1/8" TYP</p> <p>6-7/16"</p> <p>6-7/16"</p> <p>6-7/16"</p> <p>19-5/16"</p>	 <p>1" TYP</p> <p>5-1/2"</p> <p>21-11/16"</p> <p>Cut 3x Trim Spacers from cutout blank (shown in installation position)</p> <p>Trim Spacer (cut to fit)</p>
4 Lamp-Quad Housing	 <p>Ø5-1/8" TYP</p> <p>6-7/16"</p> <p>6-7/16"</p>	 <p>1" TYP</p> <p>11-15/16" SQ Cutout</p> <p>Short Trim Spacer 5-3/8" Approx.</p> <p>Trim Spacer (cut to fit)</p> <p>Cut 1x long & 2x short Trim Spacers from cutout blank (shown in installation position)</p>

Trim Assembly & Installation for Plaster/Sheetrock Ceilings

STEP 4 Install USG "Imperial" or equivalent ceiling board (drywall/sheetrock) with cutouts positioned under housing apertures. Finish with one coat of USG sheetrock or equivalent wall covering primer.

Note: Black frame (round or square) can be installed before or after ceiling board installation-**FIG 3.2**.
housing by hand tightening 4 screws until trim is secured against ceiling board-**FIG 3.3**.

STEP 5 Install trim to housing by hand tightening 4 screws until trim is secured against ceiling board-**FIG 3.3**.

STEP 6 Install Dust Covers-**FIG 3.2 & 3.4**.

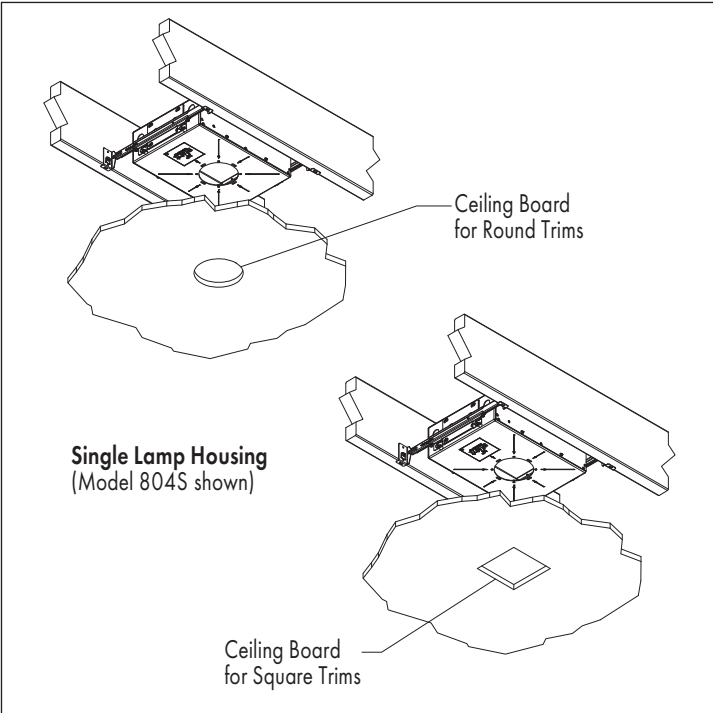


FIG 3.1 Wall Board Installation for Single Lamp Housings

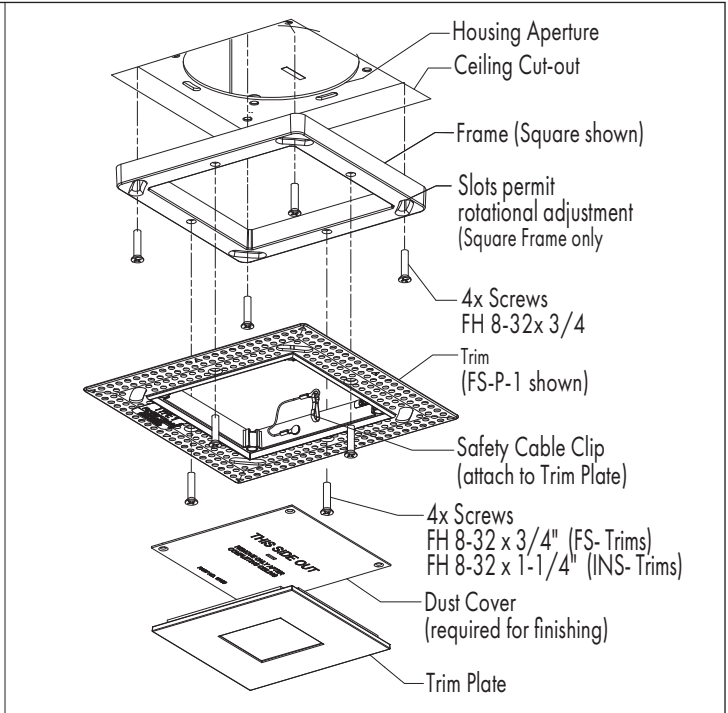


FIG 3.2 Frame & Trim Installation (for Single & Multi-Lamp)

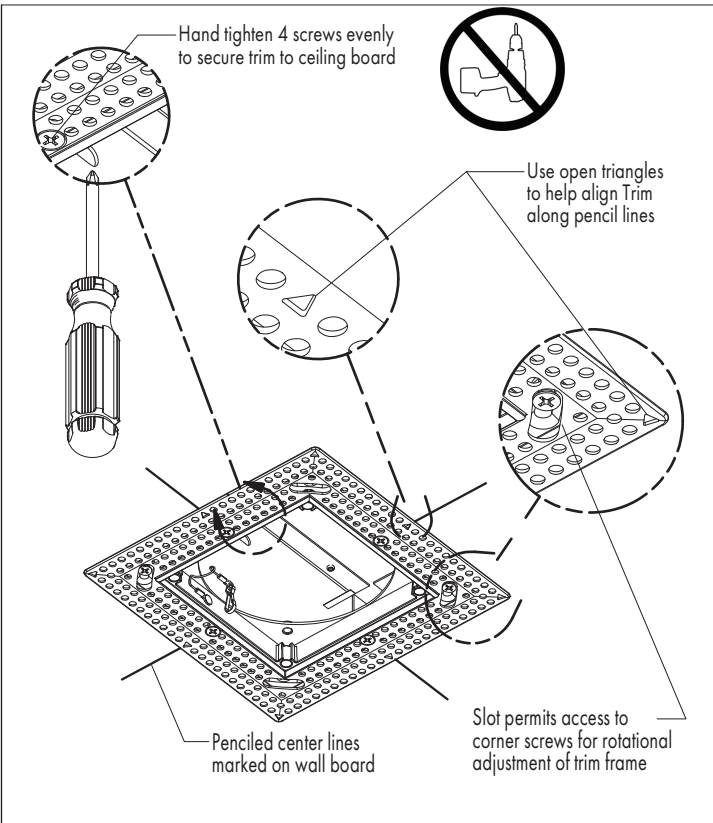


FIG 3.3 Install & Adjust Trim (for Single & Multi-Lamp)

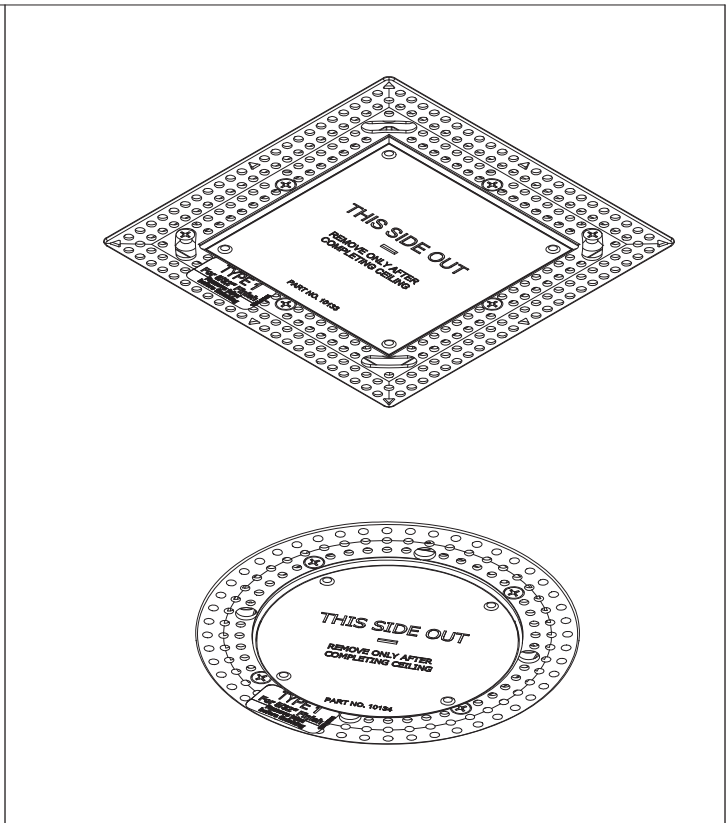


FIG 3.4 Trims installed with Dust Covers in place

Multi-Lamp Trim installation for Plaster/Sheetrock Ceilings

For Multi-Lamp Housings only (see page 3 for single lamp housings).
 Step 3 After making trim cutouts, install USG "Imperial" or equivalent ceiling board (drywall/sheetrock) and finish with one coat of USG sheetrock primer or equivalent-FIG 4.1 & 4.2.
 Step 4 Install Frames to housing. Note: Round or Square Frames can be installed before or after ceiling board installation-FIG 4.3 & 4.4.
 Step 5 For Square Trims only - Secure Trim Spacers (make from drywall/sheet rock cutout) to metal surface on bottom of Housing. Refer to page 3 for cut length required-FIG 4.5 & 4.6.
 Tip: use standard drywall adhesive to hold Trim Spacers until Trims can be installed. Trim Spacers are required to support the center of Trim Flanges when fastened to ceiling.
 Step 6 Install Trim to Housing by hand tightening 4 screws until Trim is secured against ceiling board - FIG 4.7 & 4.8. To avoid warping flanges, using power screw driver is not recommended.

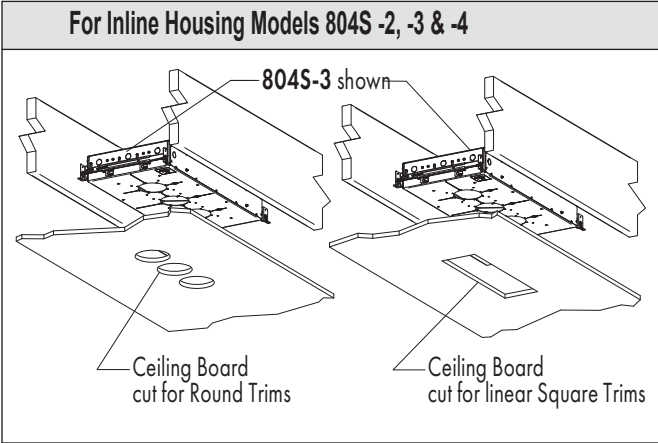


FIG 4.1 Install Ceiling Board

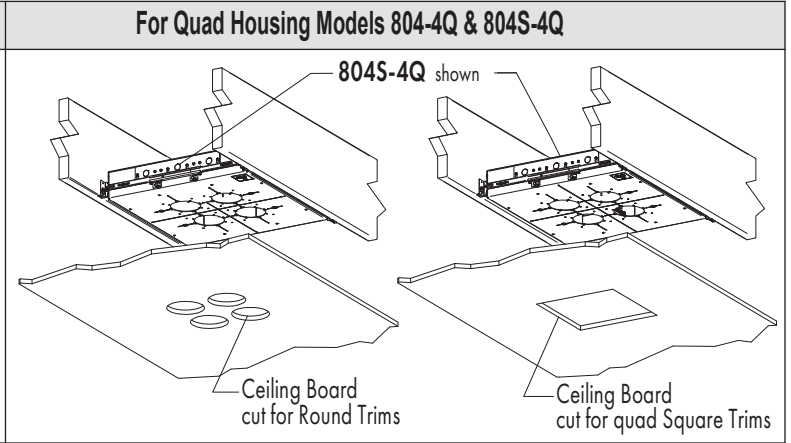


FIG 4.2 Install Ceiling Board

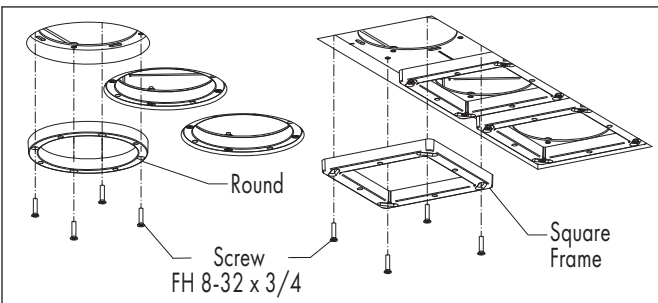


FIG 4.3 Install Frames

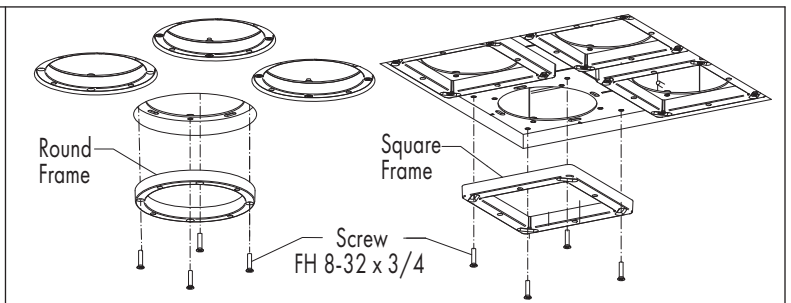


FIG 4.4 Install Frames

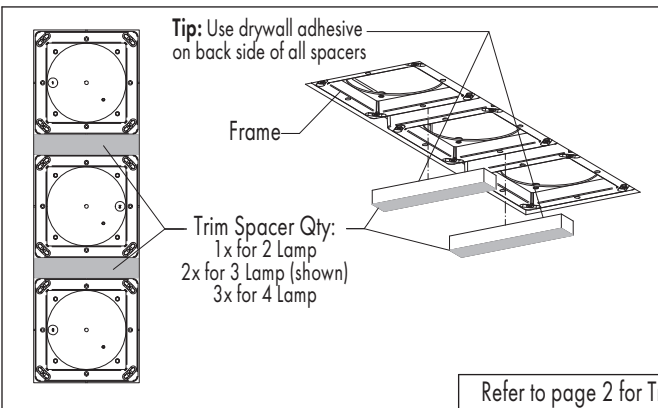


FIG 4.5 Install Trim Spacers for Square Trims

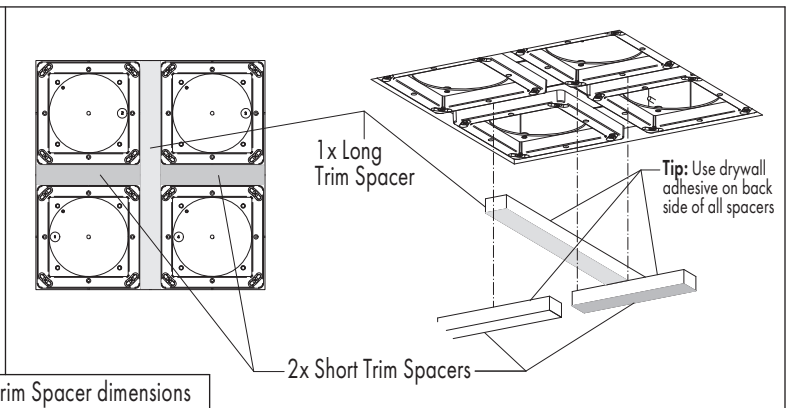


FIG 4.6 Install Trim Spacers for Square Trims

Refer to page 2 for Trim Spacer dimensions

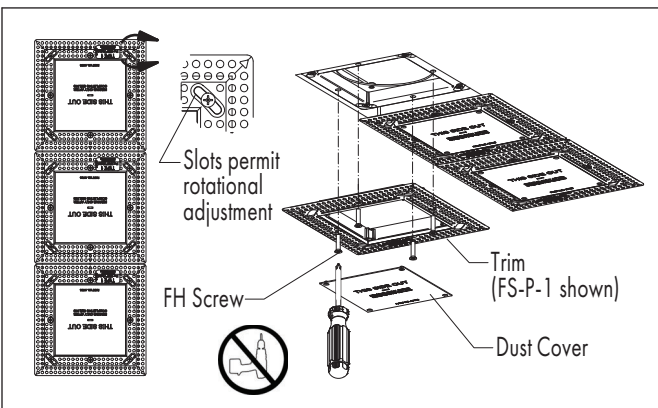


FIG 4.7 Install Trims

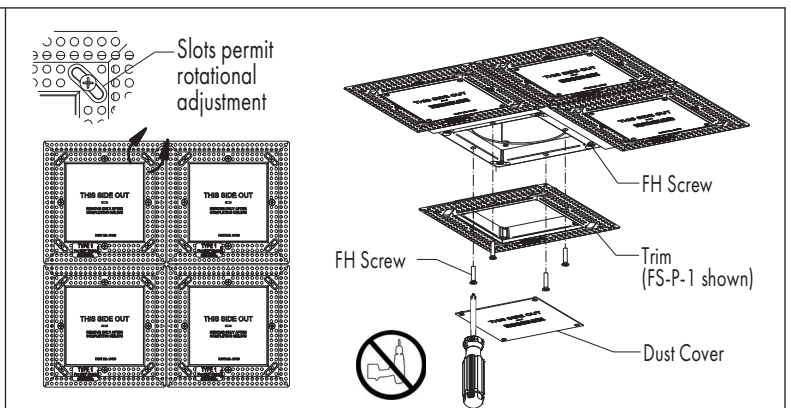


FIG 4.8 Install Trims

Type P-1 Trim Installation (Refer to Figures on pages 4 & 6)

Step 1 For Square Trims only- Adjust Trims to be square to walls and adjacent fixtures if required using four Phillips screws in each corner.
For all Trim types - Tighten trim against ceiling material using four Phillips screws in middle of trim-**FIG 4.3**. Once plaster or compound has been applied, no further adjustment to the trim is possible.



Important Note: Hand tighten trim adjustment screws.
Power driver is not recommended.

Step 2 Apply 6" wide fiberglass tape to cover perforated metal trim flange. Extend tape over ceiling board leaving 1/8" cut-out around the outside edge of the raised trim lip-**FIG 6.2**.

Multi-Lamp models - cut narrow tape strips & install in between all trims so tape edges are 1/8" away from raised trim lip-**FIG 6.2**.

Step 3 **First Coat** - Apply USG "Durabond" setting-type joint compound for embedding the perforated flange and fiberglass mesh following the manufacturer's instructions and warnings for outside corners and trim. The compound should extend on to the ceiling a minimum of 6" from the trim edge. Allow first coat to dry completely before applying the second coat-**FIG 6.3**.

Tip: Avoid excess compound build-up between edges of trim and dust shield.

Step 4 **Second Coat** - Apply USG general purpose ready-mixed joint compound flush to finished edge of trim, floating outward following the manufacturer's instructions and warnings. The compound should extend on to the ceiling a minimum of 10" from the trim edge. Allow second coat to dry completely before applying the third coat.

Tip: Avoid excess compound build-up between edges of trim and dust shield.

Step 5 **Third Coat** - Apply USG ready-mixed finishing joint compound flush to finished edge of trim, floating outward following the manufacturer's instructions and warnings. The compound should extend on to the ceiling a minimum of 14" from the trim edge. Allow third coat to dry completely before sanding-**FIG 6.3**.

Tip: Avoid excess compound build-up between edges of trim and dust shield.

Step 6 Lightly sand final coat with fine grit sandpaper until finished edge of trim and ceiling are flush.

Step 7 After sanding joint compound flush and smooth, remove metal dust shield by inserting a flat head screw driver into center slot and prying downward. After removing dust shield, remove any excess material from edges of shield and trim.

Tip: It may be necessary to remove excess finish from joints between edge of trim and dust shield by scoring with a utility knife prior to removing dust shield.

Step 8 Apply USG sheetrock wall covering primer or equivalent following the manufacturer's instructions and warnings.

Tip: If applying primer/paint by spray method, re-install dust shield to prevent overspray on inside of housing. Avoid excess paint build-up on inside edges of trim and between edges of trim and dust shield.

Step 9 Apply paint finish coats or Venetian-style plaster finish following the manufacturer's instructions and warnings.

Step 10 Remove metal dust shield and replace with trim plate-**FIG 6.6**.

Tip: It may be necessary to remove excess finish from joints between edge of trim and dust shield by scoring with a utility knife prior to removing dust shield.

Step 11 If desired, paint trim plate to match ceiling finish-see Trim Plate Finishing Instructions at end of this page

Type P-2 Trim Installation (Refer to Figures on pages 4 & 6)

Step 1 For Square Trims only- Adjust Trims to be square to walls and adjacent fixtures if required using four Phillips screws in each corner.
For all Trim types - Tighten trim against ceiling material using four Phillips screws in middle of trim-**FIG 4.3**. Once plaster or compound has been applied, no further adjustment to the trim is possible.



Important Note: Hand tighten trim adjustment screws.
Power driver is not recommended.

Step 2 Apply USG "Plaster Bonder" over perforated section of white trim flange extending 1/4" - 1/2" onto ceiling board following the manufacturer's instructions and warnings-**FIG 6.1**.

Step 3 Apply 6" wide fiberglass tape, covering perforated metal flange and extending over ceiling board leaving 1/8" cut-out around the outside of the trim edge-**FIG 6.2**.

Multi-Lamp models-cut narrow tape strips & install in between all trims so tape edges are 1/8" away from raised trim lip-**FIG 6.2**.

Step 4 Apply 5/32" basecoat using 4:1 mixture of 4 parts USG "Imperial" Base to part USG "Structo-Lite" Base following the manufacturer's instructions and warnings for outside corners & trim-**FIG 6.4**. **Note:** Allow basecoat to dry thoroughly before applying finish coat. Do not apply finish coat until moisture content of base coat is within the plaster manufacturer's recommended levels. Measure moisture content using moisture meter to ensure even dryness throughout ceiling.

Tip: Before applying base coat, it may be necessary to paint edge of trim ring to match color of plaster to avoid seeing white metal edge through finish coat.

Step 5 Apply 5/32" finish coat flush to finished edge of trim and floated outward following the manufacturer's instructions and warnings-**FIG 6.5**.

Tip: Avoid excess finish build-up between edges of trim and dust shield.

Step 6 Remove dust shield and replace with trim plate-**FIG 6.6**.

Tip: It may be necessary to remove excess finish from joints between edge of trim and dust shield by scoring with a utility knife prior to removing dust shield.

Step 7 If desired, paint trim plate to match ceiling finish-see Trim Plate Finishing Instructions.

Trim Plate Finishing Instructions:

Step 1 Remove the metal trim plate from trim-**FIG 6.6**.

Step 2 Clean and prepare exposed surfaces for painting following the manufacturer's instructions and warnings.

Step 3 Paint as desired. **Note:** Paint must be rated for minimum 90°C (150°F). Do not paint backside of trim plate, foam gaskets, inside of trim, or magnets. Do not paint Trim Plate while installed in fixture. Do not paint backside of Trim Plate.

Tip: If applying paint by spray method, it may be necessary to mask trim plate lens and foam gaskets. Avoid excess paint build-up on trim edges.

Step 4 After paint has thoroughly dried, reassemble into trim-**FIG 6.6**.

► Refer to page 7 for section views showing finished ceilings

Trim Finishing Illustrations for Plaster/Sheetrock Ceilings

Note: Square FS-P-1 Trim are shown in illustrations. Round Trims (FR-P) are installed the same way as Square Trims. Refer to page 5 for detailed instructions.

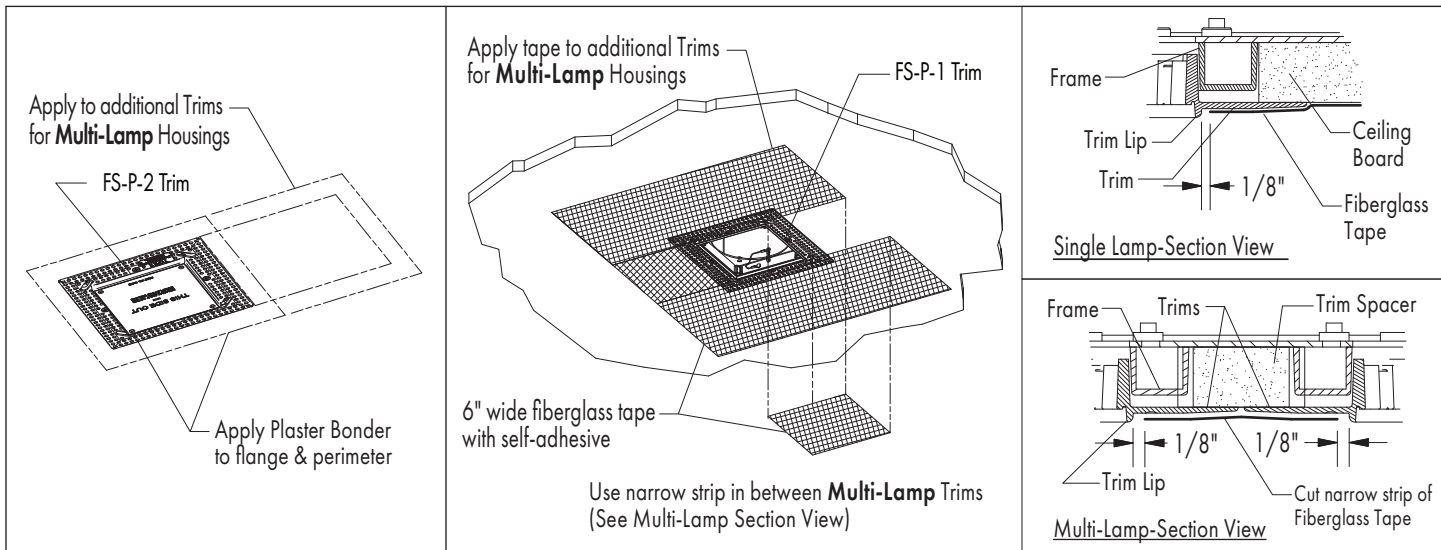


FIG 6.1 Apply bonder-For P-2 Trims only

FIG 6.2 Apply Fiberglass Tape

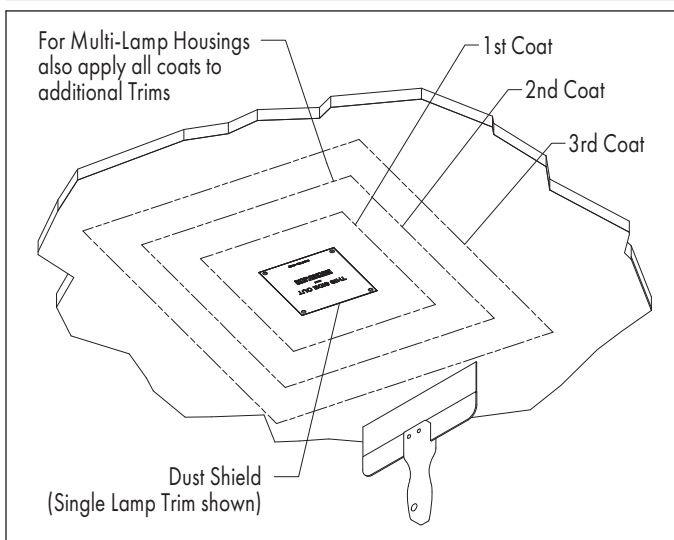


FIG 6.3 Apply Ceiling Coats-For P-1 Trims Only

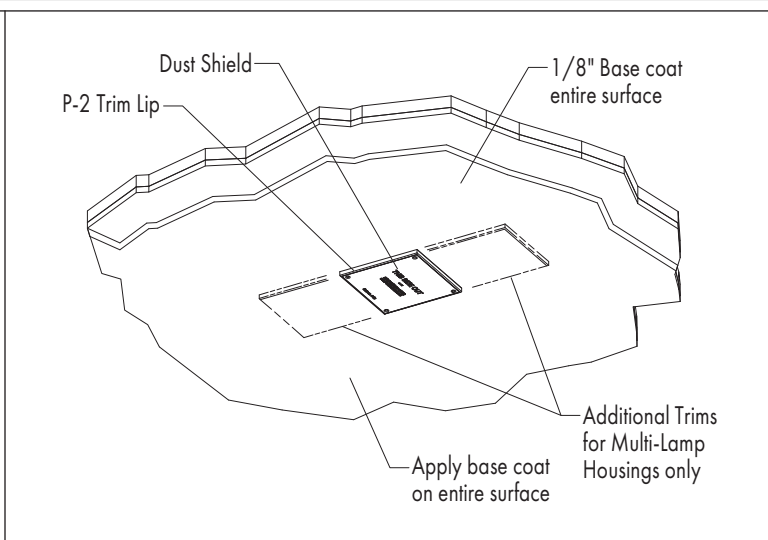


FIG 6.4 Apply Base Ceiling Coat-For P-2 Trims Only

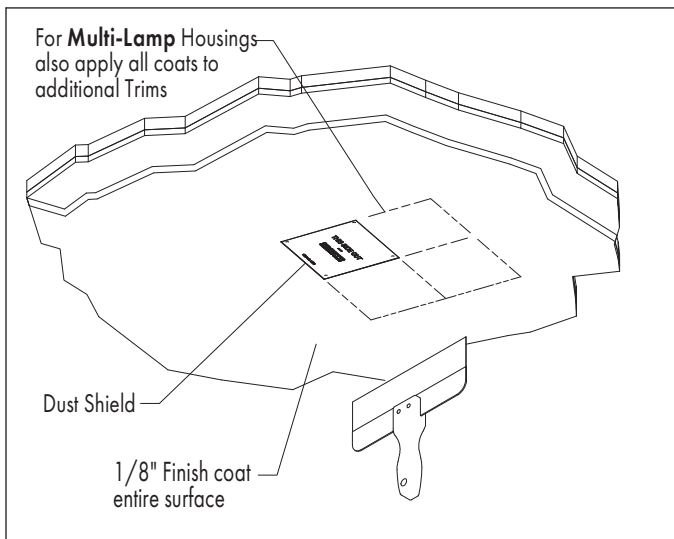


FIG 6.5 Apply Finish Ceiling Coat- For P-2 Trims Only

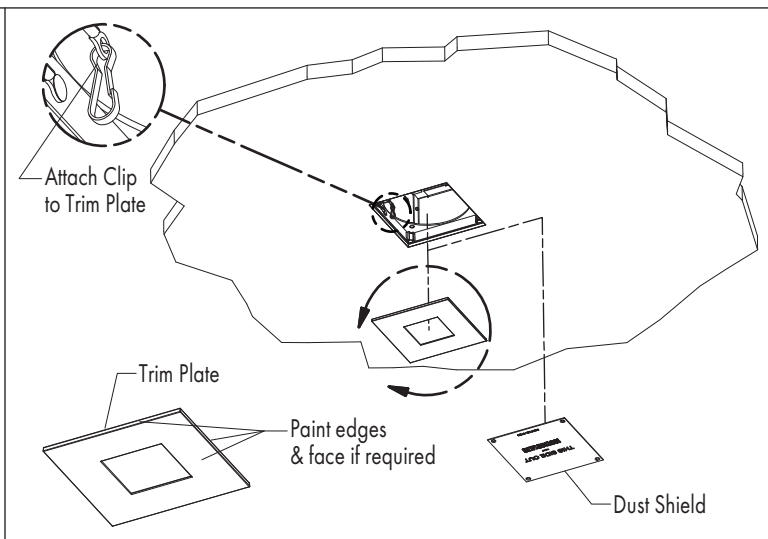


FIG 6.6 Replace Dust Shield with Trim Plate

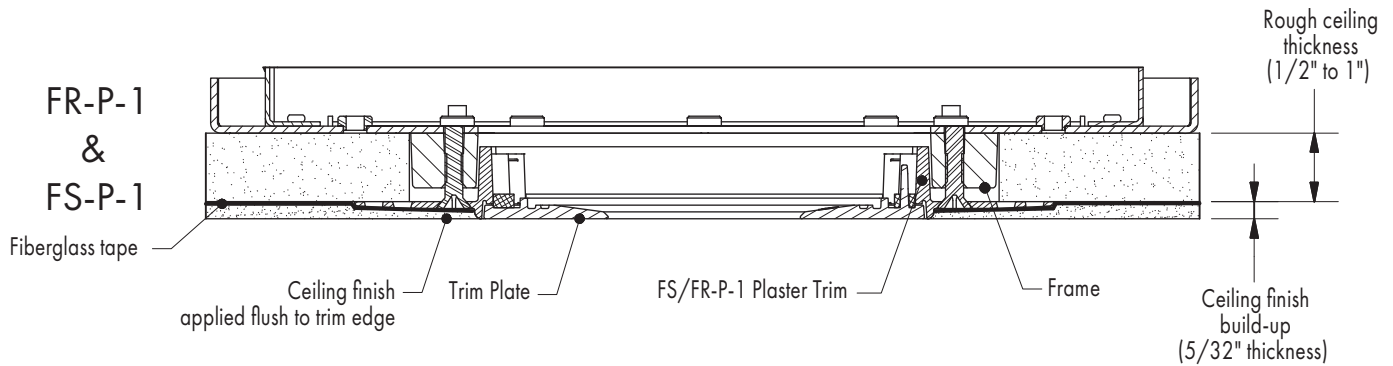
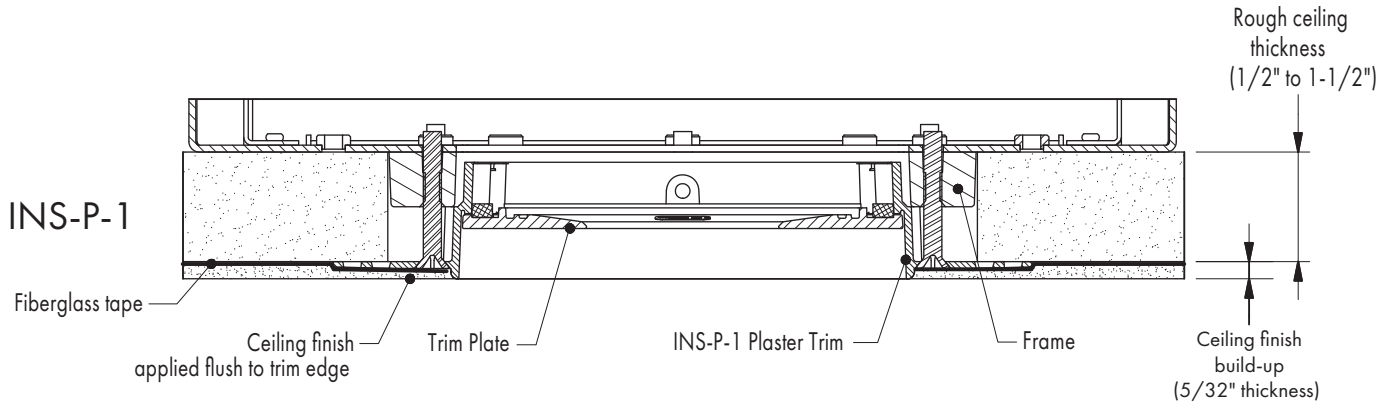


FIG 7.1 Trim Type P-1 - Finished Ceiling Section Views

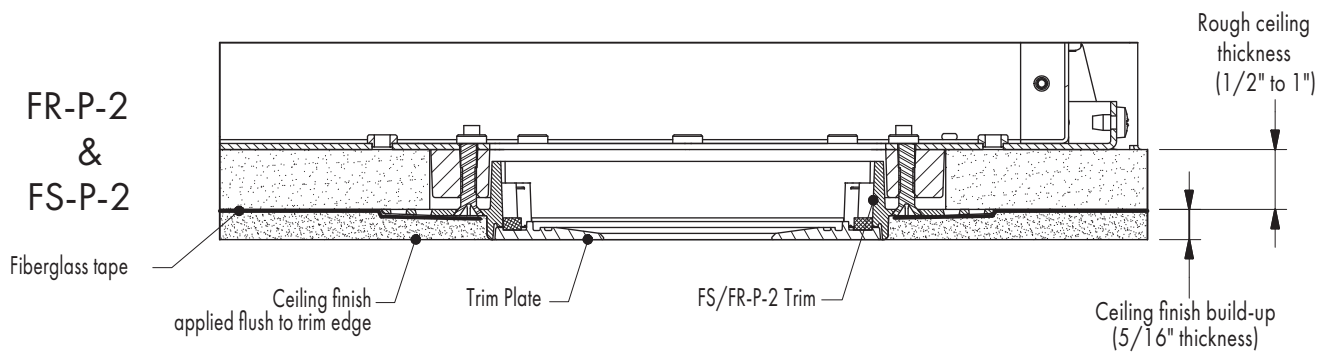


FIG 7.2 Trim Type P-2 - Finished Ceiling System Section View