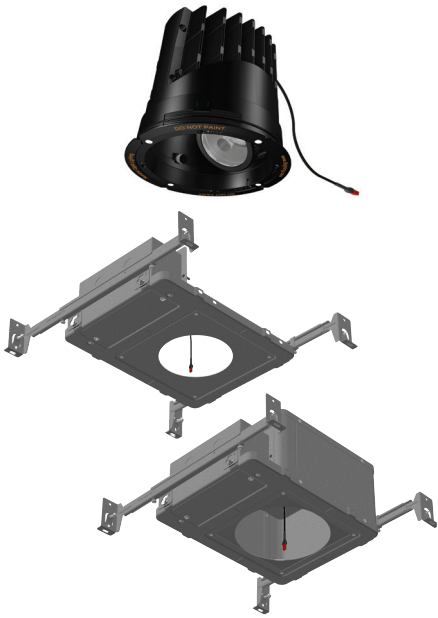


400 Series – Recessed LED

NEW CONSTRUCTION



400 – ADJUSTABLE LED

- Type IC/Airtight and Type IC/Airtight/Chicago Plenum Rated
- Fully adjustable (0-35° vertical/360° horizontal) for general, accent, and wall wash lighting applications
- Accommodates ceiling thicknesses ranging from 1/2" – 5-1/2" without affecting aiming or adjustment
- Six LED options: **HI** or **HI-2** 2700K or 3000K 94 CRI Static White, and **WD** 3000-1800K or **WD-2** 2800-2200K 97 CRI Warm Dim
- Four beam spread options: 10°, 15°, 25°, and 40°
- Five beam enhancing and three color filtering lens options
- Seven dimming driver options
- Six Round or Square 2" aperture FLAT and BEVEL trim options
- Three trim mounting options: Flanged (for multiple ceiling types), Flangeless for sheetrock, and Flangeless for wood/stone
- Two trim finish options
- Three trim lens options rated for use in DRY, DAMP, or WET locations and residential steam applications
- 2022 CA JA8 Compliant

400 SERIES PERFORMANCE SUMMARY

| LED: | HI | HI-2 | WD | WD-2 |
|-------------------------------|-------------|-------------|-------------|-------------|
| Correlated Color Temperature: | 2700K/3000K | 2700K/3000K | 3000K-1800K | 2800K-2200K |
| Color Rendering Index: | 94 | 94 | 97 | 97 |
| Delivered Lumens: | 964-1037 | 1006-1082 | 818 | 809 |
| Wattage: | 14 | 14.5 | 15 | 15 |
| Delivered Lumens Per Watt: | 69-74 | 69-75 | 56 | 55 |

Performance shown for FS-4 trim.
 HI and HI-2 LED data shown for 2700-3000K.
 WD and WD-2 Warm Dimming LED data shown for 3000K and 2800K.



526 Portal Street
 Cotati, CA 94931
 USA
 P 707.794.0888
 www.8lighting.com

All No. 8 Lighting fixtures and components are UL Listed to both U.S. and Canadian requirements. No. 8 Lighting trims and lamp modules are protected by one or more U.S. Patents. No. 8 Lighting reserves the right to change details of design, materials, and finish.

© 2023 No. 8 Lighting



09/2023

93101-05