

HOUSING: **804** – I.C.  
 LAMP MODULE: **J2** – ADJUSTABLE LED  
 TRIM: **FS/FR + FLS/FLR** w/ **WW-8** WALL WASH ACCESSORY



**N°**  
**eight**  
LIGHTING

526 Portal Street  
 Cotati, CA 94931  
 USA

**P** 707.794.0888  
**F** 707.795.4379

www.8lighting.com

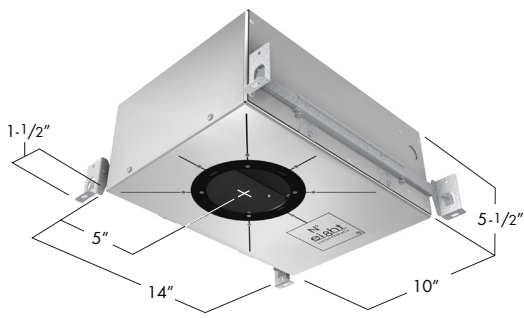
All No. 8 Lighting fixtures and components are UL/CSA listed. No. 8 Lighting trims and lamp modules are protected by one or more U.S. Patents. No. 8 Lighting reserves the right to change details of design, materials, and finish.

© 2022 No. 8 Lighting  
 Doc # 91194-13.0





Project Name	
Date	Type
Prepared By	
Comments	
Catalog # <b>804/J2</b> –      – <b>40</b> –      /      – <b>1400</b> /	
–      –      – <b>WW-8</b>	

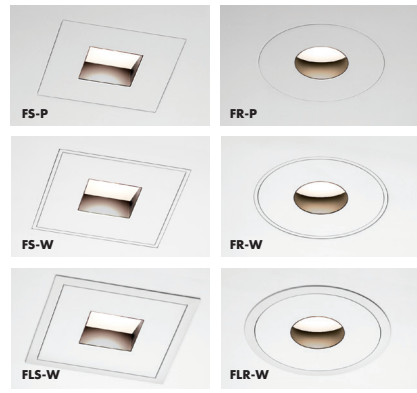
**PRODUCT FEATURES**



**804** - I.C.HOUSING  
 (Shown with BH mounting accessory)



**J2** - LED ADJUSTABLE



**FS/FR + FLS/FLR** TRIMS w/ **WW-8** WALL WASH ACCESSORY

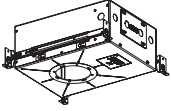

**804/J2 w/ WW-8 WALL WASH ACCESSORY - SPECIFICATION SUMMARY**

	<b>Static White High Output</b>	
	<b>HI-27</b>	<b>HI</b>
LED Option	HI-27	HI
Delivered Lumens	711-801	765-861
System Wattage	20	20
Efficacy	36-40	38-43
CRI	94	93
R9	55	56
CCT	2700K	3000K
Optic Options	40	
Color Consistency	2-Step	
Optical Accessories	2400K, 2700K, 3500K Color Filters	
Adjustability	0-45° Tilt, 360° Rotation, Lockable	
Dimming Options	0.1/1% Forward/Reverse Phase (120v), 0.1/1% 0-10v (120-277v), 0.1/1% DALI (120-277v)	
Trim Options	Round/Square Wall-Wash	
Finish Options	White, Oil-Rubbed Bronze, Polished Nickel, Satin Nickel, Black	
Trim Mounting Options	Flanged, Flangeless Sheetrock, Flangeless Wood	
Trim Lens Options	UL Wet Listed and IP54 Rated - Wall-Wash	
Housing Options	Type IC-CP Rated CCEA Approved Air-Tight	

Data shown for J2 Lamp Module with FS/FLS and FR/FLR trims and WW-8 Accessory.  
 See Performance Summaries for additional information.  
 800 Series Trims specified separately.

HOUSING PRODUCT SPECIFIER/PRODUCT ORDER NUMBER

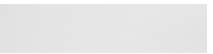

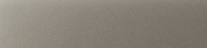


**804** / **J2** - - **40** - - / - **1400** /

HOUSING	LAMP MODULE	LED OPTIONS	OPTIC OPTIONS	OPTICAL ACCESSORIES (Optional)	DIMMING OPTIONS	OUTPUT	MOUNTING ACCESSORIES
 <p><b>804</b> New Construction – AIRTIGHT-I.C. 10"W* x 14"L* x 5 1/2"H† Accepts All No. 8 Lighting LED Lamp Modules *Add 3" to length or width to accommodate mounting accessories. †Minimum 6" ceiling space required when used with INSET and BEVEL Series trim assemblies.</p>	<p><b>LED ADJUSTABLE</b></p>  <p><b>J2</b> 45° tilt, full 360° rotation with tool-less locking vertical and horizontal adjustment</p>	<p><b>HI-27</b> 2700K White LED <b>HI</b> 3000K White LED</p>	<p><b>40</b> 40° Flood</p>	<p><b>CF24*</b> 2400K Color Filtering Lens <b>CF27*</b> 2700K Color Filtering Lens <b>CF35*</b> 3500K Color Filtering Lens *For use with HI 3000K LED option only.</p>	<p><b>PR1-8</b> Premium Forward or Reverse-Phase 0.1% Dimming <b>EL1-8</b> EldoLED 0-10v 1% Dimming <b>EL1-01-8</b> EldoLED 0-10v 0.1% Dimming <b>EL2-8</b> EldoLED DALI 1% Dimming <b>EL2-01-8</b> EldoLED DALI 0.1% Dimming <b>LU1-8</b> Lutron Hi-Lume LTEA2W Forward-Phase 1% Dimming</p>	<p><b>1400</b> High output</p>	<p><b>BH</b> Bar Hangers for joist mounting <b>BB</b> Butterfly Brackets for c-channel or bar mounting <b>TBC-BH</b> T-Bar Mounting Clips + Bar Hangers for T-Bar mounting <b>PMB</b> Panel Mounting Brackets (set of two) for direct mounting to wood panels</p>

TRIM PRODUCT SPECIFIER/PRODUCT ORDER NUMBER

- - - - **WW-8**

TRIM - TRIM APPLICATION - TRIM FINISH - TRIM ACCESSORY

<p><b>FS</b> FLANGELESS SQUARE – Trim plate flush to the ceiling <b>FR</b> FLANGELESS ROUND – Trim plate flush to the ceiling <b>FLS</b> FLANGED SQUARE – Trim plate flush to trim <b>FLR</b> FLANGED ROUND – Trim plate flush to trim</p>	<p><b>P-1</b> Flush Plaster/Sheetrock ceiling applications with 5/32" thick drywall compound or plaster finish <b>P-2</b> Flush Plaster/Sheetrock ceiling applications with 5/16" thick drywall compound or plaster finish <b>W</b> Wood/Stone/Sheetrock/Acoustic Tile ceiling applications</p>	 <p><b>WH</b> WHITE</p>  <p><b>PN</b> POLISHED NICKEL*</p>  <p><b>SN</b> SATIN NICKEL*</p>  <p><b>OB</b> OIL-RUBBED BRONZE*</p>  <p><b>BK</b> BLACK*</p> <p>*Specialty finish.</p>	<p><b>WW-8*</b> WALL WASH accessory installed in 1.75" aperture trim plate *UL WET LISTED and IP54 Rated for use in DRY, DAMP, or WET locations (covered ceiling applications only). Approved for use in residential steam applications. Not for use in commercial steam applications.</p>
--	---	---	--

**Housing and Installation Notes**

**804** IC-Rated for direct contact with standard or spray-foam thermal insulation with a max combined R-Value of R49 (may also be installed in Non-IC applications). Meets Washington State Airtight Standard WAC 51-11-0502 and in accordance with ASTM E283 to reduce energy loss. CCEA plenum rated for City of Chicago environmental air spaces. Ambient temperatures should not exceed 25°C (77°F) during normal operation.

**Lamp Module, LED, and Accessory Notes**

**J2** Fully adjustable lamp module and **WW-8** wall wash accessory installed with **FS/FR** or **FLS/FLR 800 Series** trims for uniform wall wash applications. To ensure fixture to fixture color consistency, use the same LED option with adjacent fixtures is recommended.

**Dimming and Output Option Notes**

0-10v and DALI options configured for linear dimming control. No.8 Lighting conducts extensive testing to establish compatibility with many dimmer types. For a complete list of compatible dimmers, see [8lighting.com/resources-downloads](http://8lighting.com/resources-downloads). Outputs vary depending on LED type, trim type, and optical accessories used. For photometric files in PDF and IES formats, see [8lighting.com/800-series-photometry](http://8lighting.com/800-series-photometry).

**Warranty**

All No. 8 Lighting products are covered by a 5 year limited warranty. Products installed in residential steam applications are covered by a 2 year limited warranty. For specific warranty details and limitations, see [8lighting.com/resources-downloads](http://8lighting.com/resources-downloads).

**804/J2 w/ FS/FLS-WW-8 1.75" APERTURE TRIM - PERFORMANCE SUMMARY**

LED	OUTPUT	OPTIC OPTION	CCT	CRI	R9	Delivered Lumens	System Wattage	Delivered LPW
HI-27	1400	40	2700K	94	55	801	20	40
HI	1400	40	3000K	93	56	861	20	43

**804/J2 w/ FR/FLR-WW-8 1.75" APERTURE TRIM - PERFORMANCE SUMMARY**

LED	OUTPUT	OPTIC OPTION	CCT	CRI	R9	Delivered Lumens	System Wattage	Delivered LPW
HI-27	1400	40	2700K	94	55	711	20	36
HI	1400	40	3000K	93	56	765	20	38

**804/J2-HI-40/1400 w/ FS/FLS TRIM + WW-8 WALL WASH ACCESSORY – FOOTCANDLES ON WALL**

DISTANCE TO WALL		2.0 ft						2.5 ft					
ON CENTER SPACING			2.0 ft			2.5 ft			2.5 ft			3.0 ft	
	0.5 ft	1.3	1.5	1.3	1.3	1.0	1.3	0.4	0.4	0.4	0.4	0.3	0.4
	1.5 ft	35.4	40.2	35.4	32.5	32.4	32.5	17.3	19.2	17.3	16.3	15.7	16.3
	2.5 ft	36.3	42.4	36.3	32.8	37.4	32.8	25.5	29.6	25.5	23.5	26.0	23.5
	3.5 ft	23.9	27.1	23.9	21.7	25.1	21.7	20.9	24.2	20.9	19.2	22.3	19.2
	4.5 ft	14.7	16.1	14.7	13.6	15.3	13.6	14.6	16.5	14.6	13.5	15.6	13.5
	5.5 ft	9.2	9.9	9.2	8.7	9.5	8.7	9.9	10.9	9.9	9.3	10.4	9.3
	6.5 ft	6.0	6.4	6.0	5.8	6.2	5.8	6.8	7.3	6.8	6.4	7.1	6.4
	7.5 ft	4.1	4.3	4.1	3.9	4.2	3.9	4.7	5.0	4.7	4.6	4.9	4.6
	8.5 ft	2.9	3.0	2.9	2.8	2.9	2.8	3.4	3.6	3.4	3.3	3.5	3.3
9.5 ft	2.1	2.2	2.1	2.0	2.1	2.0	2.5	2.6	2.5	2.5	2.6	2.5	

Note: With HI LED option, use 40° optic and 20° aiming angle for optimal performance. Data shown for 3000K CCT.

**804/J2-HI-40/1400 w/ FR/FLR TRIM + WW-8 WALL WASH ACCESSORY – FOOTCANDLES ON WALL**

DISTANCE TO WALL		2.0 ft						2.5 ft						
ON CENTER SPACING			2.0 ft			2.5 ft			2.5 ft			3.0 ft		
	DISTANCE FROM CEILING	0.5 ft	1.1	0.9	1.1	1.0	0.6	1.0	0.3	0.3	0.3	0.3	0.2	0.3
	1.5 ft	32.2	36.6	32.2	29.4	29.3	29.4	15.5	17.0	15.5	14.6	13.7	14.6	
	2.5 ft	34.0	39.6	34.0	30.5	34.6	30.5	23.5	27.2	23.5	21.6	23.7	21.6	
	3.5 ft	22.9	26.1	22.9	20.7	24.0	20.7	19.7	22.9	19.7	18.1	20.9	18.1	
	4.5 ft	14.1	15.6	14.1	13.0	14.8	13.0	14.0	15.9	14.0	12.9	14.9	12.9	
	5.5 ft	8.8	9.5	8.8	8.3	9.2	8.3	9.5	10.5	9.5	8.9	10.1	8.9	
	6.5 ft	5.7	6.1	5.7	5.5	5.9	5.5	6.5	7.0	6.5	6.1	6.8	6.1	
	7.5 ft	3.9	4.1	3.9	3.7	4.0	3.7	4.5	4.8	4.5	4.3	4.7	4.3	
	8.5 ft	2.7	2.8	2.7	2.6	2.8	2.6	3.3	3.4	3.3	3.1	3.4	3.1	
9.5 ft	2.0	2.0	2.0	1.9	2.0	1.9	2.4	2.5	2.4	2.3	2.5	2.3		

Note: With HI LED option, use 40° optic and 20° aiming angle for optimal performance. Data shown for 3000K CCT.