

HOUSING: **804** – I.C.
 LAMP MODULE: **M2** – MIRROR REFLECTOR LED

Project Name	
Date	Type
Prepared By	
Comments	
Catalog # 804/M2 - - - - / / - 1400 /	



eight
LIGHTING

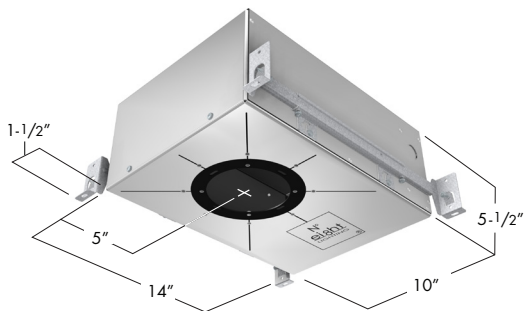
526 Portal Street
 Cotati, CA 94931
 USA
 P 707.794.0888
 F 707.795.4379
 www.8lighting.com

All No. 8 Lighting fixtures and components are UL/CSA listed. No. 8 Lighting trims and lamp modules are protected by one or more U.S. Patents. No. 8 Lighting reserves the right to change details of design, materials, and finish.

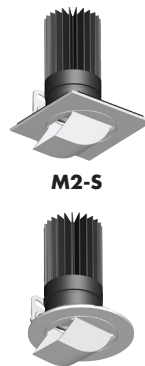
© 2022 No. 8 Lighting
Doc # 91193-13.0



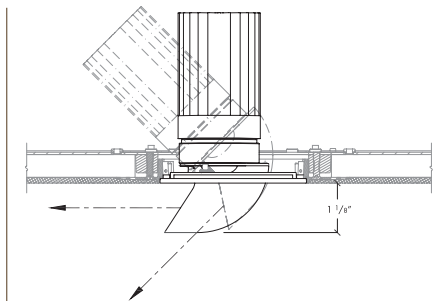

PRODUCT FEATURES



804 - I.C. HOUSING
 (Shown with BH mounting accessory)



M2 - LED MIRROR REFLECTOR



LAMP MODULE **M2**- TRIM ASSEMBLY
 CROSS SECTION DETAIL

Note: Cross sections are for illustration purposes only. Refer to Page 3 for additional details.

804/M2 SPECIFICATION SUMMARY

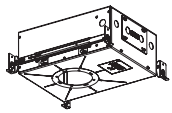
	Static White High Output	
	HI-27	HI
LED Option	HI-27	HI
Delivered Lumens	884	951
System Wattage	20	20
Efficacy	44	48
CRI	93	93
R9	53	53
CCT	2700K	3000K
Optic Options	15, 25, 40	
Color Consistency	2-Step	
Optical Accessories	Narrow, Medium, Wide, Extra Wide, Linear Spread, and 2400K, 2700K, 3500K Color Filters	
Adjustability	35-90° Tilt, 90° Rotation, Lockable	
Dimming Options	0.1/1% Forward/Reverse Phase (120v), 0.1/1% 0-10v (120-277v), 0.1/1% DALI (120-277v)	
Trim Options	Round/Square Flat	
Finish Options	White, Oil-Rubbed Bronze	
Trim Mounting Options	Flanged, Flangeless Sheetrock, Flangeless Wood	
Housing Options	New Construction: Type IC-CP Rated CCEA Approved Air-Tight	

Data shown for M2 Lamp Module with FS/FLS and FR/FLR trim.
 See Performance Summaries for additional information.
 800 Series Trims specified separately.



PRODUCT SPECIFIER/PRODUCT ORDER NUMBER

804 / **M2-** - - - - / / - **1400** /

HOUSING / LAMP MODULE - LED OPTIONS - OPTIC OPTIONS - OPTICAL ACCESSORIES (Optional) / TRIM FINISH / DIMMING OPTIONS - OUTPUT / MOUNTING ACCESSORIES





804
New Construction – AIRTIGHT-I.C.
10"W* x 14"L* x 5 1/2"H†
Accepts All No. 8 Lighting LED Lamp Modules
*Add 3" to length or width to accommodate mounting accessories.
†Minimum 6" ceiling space required when used with INSET and BEVEL Series trim assemblies.

LED MIRROR REFLECTOR
M2-S
4" SQUARE module w/integral trim plate fits into square Seamless Series™ trim assemblies

M2-R
4" ROUND module w/ integral trim plate fits into round Seamless Series™ trim assemblies


HI-27
2700K White LED
HI
3000K White LED

15
15° Narrow Spot
25
25° Narrow Flood
40
40° Flood

NSP
Narrow Softening Lens
NFL
Medium Softening Lens
FL
Wide Softening Lens
WFL
Extra Wide Softening Lens
LS
Linear Spread Lens
CF24*
2400K Color Filtering Lens
CF27*
2700K Color Filtering Lens
CF35*
3500K Color Filtering Lens
*For use with HI 3000K LED option only.

WH
WHITE

OB*
OIL-RUBBED BRONZE

*Specialty finish.

PR1-8
Premium Forward or Reverse-Phase 0.1% Dimming
EL1-8
EldoLED 0-10v 1% Dimming
EL1-01-8
EldoLED 0-10v 0.1% Dimming
EL2-8
EldoLED DALI 1% Dimming
EL2-01-8
EldoLED DALI 0.1% Dimming
LU1-8
Lutron Hi-Lume LTEA2W Forward-Phase 1% Dimming

1400
High output

BH
Bar Hangers
BB
Butterfly Brackets
TBC-BH
T-Bar Mounting Clips + Bar Hangers
PMB
Panel Mounting Brackets

Housing and Installation Notes

804 IC-Rated for direct contact with standard or spray-foam thermal insulation with a max combined R-Value of R49 (may also be installed in Non-IC applications). Meets Washington State Airtight Standard WAC 51-11-0502 and in accordance with ASTM E283 to reduce energy loss. CCEA plenum rated for City of Chicago environmental air spaces. Ambient temperatures should not exceed 25°C (77°F) during normal operation. Accepts **J2** and **M2** LED Lamp Modules and all **800 Series** Trim Assemblies. For **800 Series** Trims (specified separately), see 8lighting.com/products-800-series-led.

Lamp Module, LED, Optic Option, and Accessory Notes

M2 Adjustable lamp module features 35-90° vertical* and 90° horizontal adjustment. *Vertical adjustment range based on ceiling thickness and trim type used. See Page 4 for additional details. Use on sloped ceilings for adjustable accent, wall wash, and general lighting applications. Lamp module assembly includes either a SQUARE or ROUND trim plate for use with **800 Series Seamless** trims. To ensure fixture to fixture color consistency, use of the same LED option with adjacent fixtures is recommended. One field interchangeable optic option included standard. Up to two additional optical accessories can be accommodated.

Dimming and Output Option Notes

0-10v and DALI options configured for linear dimming control. No.8 Lighting conducts extensive testing to establish compatibility with many dimmer types. For a complete list of compatible dimmers, see 8lighting.com/resources-downloads. Outputs vary depending on LED type, trim type, and optical accessories used. For photometric files in PDF and IES formats, see 8lighting.com/800-series-photometry.

Warranty

All No. 8 Lighting products are covered by a 5 year limited warranty. Products installed in residential steam applications are covered by a 2 year limited warranty. For specific warranty details and limitations, see 8lighting.com/resources-downloads.

804/M2 w/ FS/FLS/FR/FLR TRIM - PERFORMANCE SUMMARY

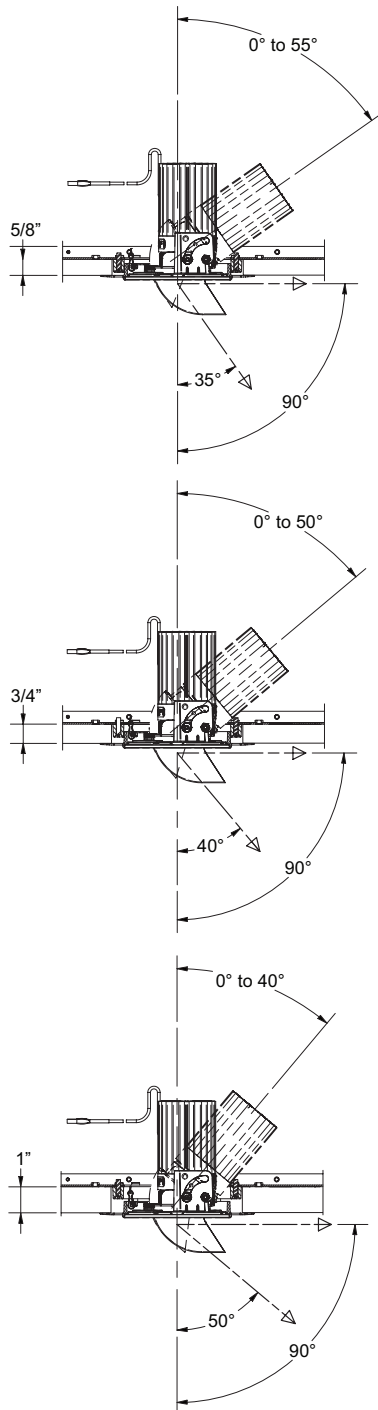
LED	OUTPUT	CCT	CRI	R9	Delivered Lumens	System Wattage	Delivered LPW
HI-27	1400	2700K	93	53	734-884	20	37-44
HI	1400	3000K	93	53	789-951	20	39-48

Performance summary for HI LED with 15°, 25°, and 40° optic options.

M2 LAMP MODULE - VERTICAL AIMING RANGE

SEAMLESS SERIES

PLASTER/SHEETROCK CEILING APPLICATIONS



SEAMLESS SERIES

WOOD/STONE CEILING APPLICATIONS

