

HOUSING: **804** – I.C.
 LAMP MODULE: **J2** – ADJUSTABLE LED



eight
LIGHTING

526 Portal Street
 Cotati, CA 94931
 USA
 P 707.794.0888
 F 707.795.4379
 www.8lighting.com

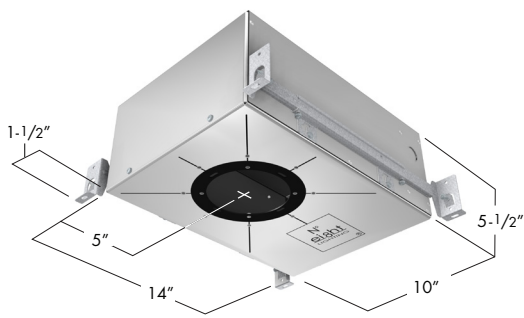
All No. 8 Lighting fixtures and components are UL/CSA listed. No. 8 Lighting trims and lamp modules are protected by one or more U.S. Patents. No. 8 Lighting reserves the right to change details of design, materials, and finish.

© 2022 No. 8 Lighting
Doc # 91190-13.0





| | |
|---|------|
| Project Name | |
| Date | Type |
| Prepared By | |
| Comments | |
| Catalog # 804/J2 – – – / – 1400 / | |

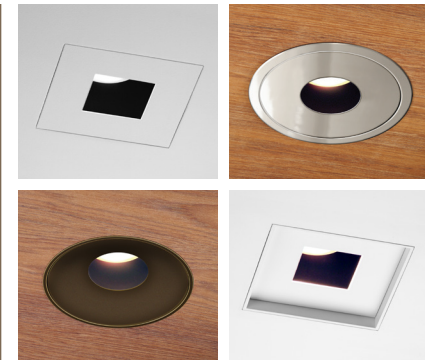
PRODUCT FEATURES



804 - I.C. HOUSING
(Shown with BH mounting accessory)



J2 - LED ADJUSTABLE



800 SERIES TRIMS
(Specified separately)

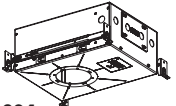

804/J2 SPECIFICATION SUMMARY

| | Static White High Output | |
|-----------------------|--|-------|
| | HI-27 | HI |
| LED Option | HI-27 | HI |
| Delivered Lumens | 1262 | 1357 |
| System Wattage | 20 | 20 |
| Efficacy | 63 | 68 |
| CRI | 94 | 93 |
| R9 | 57 | 58 |
| CCT | 2700K | 3000K |
| Optic Options | 15, 25, 40 | |
| Color Consistency | 2-Step | |
| Optical Accessories | Narrow, Medium, Wide, Extra Wide, Linear Spread, and 2400K, 2700K, 3500K Color Filters | |
| Adjustability | 0-45° Tilt, 360° Rotation, Lockable | |
| Dimming Options | 0.1/1% Forward/Reverse Phase (120v), 0.1/1% 0-10v (120-277v), 0.1/1% DALI (120-277v) | |
| Trim Options | Round/Square Flat, Round/Square Bevel, Round/Square Inset, Round/Square Wall-Wash | |
| Finish Options | White, Oil-Rubbed Bronze, Polished Nickel, Satin Nickel, Black | |
| Trim Mounting Options | Flanged, Flangeless Sheetrock, Flangeless Wood | |
| Trim Lens Options | UL Wet Listed and IP54 Rated - Clear, Soft Focus, Wall-Wash | |
| Housing Options | Type IC-CP Rated CCEA Approved | |

Data shown for J2 Lamp Module with FS/FLS/INS-LG/NL trim.
 Warm Dimming data shown for 3000K and 2800K.
 See Performance Summaries for additional information.
 800 Series Trims specified separately.

PRODUCT SPECIFIER/PRODUCT ORDER NUMBER

804 / **J2** - - - / - **1400** /

| HOUSING | LAMP MODULE | LED OPTIONS | OPTIC OPTIONS | OPTICAL ACCESSORIES (Optional) | DIMMING OPTIONS | OUTPUT | MOUNTING ACCESSORIES |
|---|--|---|---|--|--|------------------------------------|---|
|  <p>804 New Construction – AIRTIGHT-I.C. 10"W* x 14"L* x 5 1/2"H† Accepts All No. 8 Lighting LED Lamp Modules *Add 3" to length or width to accommodate mounting accessories. †Minimum 6" ceiling space required when used with INSET and BEVEL Series trim assemblies.</p> | <p>LED ADJUSTABLE</p>  <p>J2 45° tilt, full 360° rotation with tool-less locking vertical and horizontal adjustment</p> | <p>HI-27 2700K White LED HI 3000K White LED</p> | <p>15 15° Narrow Spot 25 25° Narrow Flood 40 40° Flood</p> | <p>NSP Narrow Softening Lens NFL Medium Softening Lens FL Wide Softening Lens WFL Extra Wide Softening Lens LS Linear Spread Lens CF24* 2400K Color Filtering Lens CF27* 2700K Color Filtering Lens CF35* 3500K Color Filtering Lens *For use with HI 3000K LED option only.</p> | <p>PR1-8 Premium Forward or Reverse-Phase 0.1% Dimming EL1-8 EldoLED 0-10v 1% Dimming EL1-01-8 EldoLED 0-10v 0.1% Dimming EL2-8 EldoLED DALI 1% Dimming EL2-01-8 EldoLED DALI 0.1% Dimming LUT1-8 Lutron Hi-Lume LTEA2W Forward-Phase 1% Dimming</p> | <p>1400 High output</p> | <p>BH Bar Hangers for joist mounting BB Butterfly Brackets for c-channel or bar mounting TBC-BH T-Bar Mounting Clips + Bar Hangers for T-Bar mounting PMB Panel Mounting Brackets (set of two) for direct mounting to wood panels</p> |

Housing and Installation Notes

804 IC-Rated for direct contact with standard or spray-foam thermal insulation with a max combined R-Value of R49 (may also be installed in Non-IC applications). Meets Washington State Airtight Standard WAC 51-11-0502 and in accordance with ASTM E283 to reduce energy loss. CCEA plenum rated for City of Chicago environmental air spaces. Ambient temperatures should not exceed 25°C (77°F) during normal operation. Accepts **J2** and **M2** LED Lamp Modules and all **800 Series** Trim Assemblies. For **800 Series** Trims (specified separately), see 8lighting.com/products-800-series-led.

Lamp Module, LED, Optic Option, and Accessory Notes

J2 Fully adjustable lamp module features patented tool-free adjustment mechanism. Use for adjustable accent, wall wash*, and general lighting applications. *For wall washing: specify 40° optic option with **HI**, **WD**, or **WD-2**. Requires **WW-8** wall wash accessory, specified with **FS/FR** or **FLS/FLR** (1.75" aperture) **800 Series** trims. To ensure fixture to fixture color consistency, use of the same LED option with adjacent fixtures is recommended. One field interchangeable optic option included standard. Up to two additional optical accessories can be accommodated.

Dimming and Output Option Notes

0-10v and DALI options configured for linear dimming control. No.8 Lighting conducts extensive testing to establish compatibility with many dimmer types. For a complete list of compatible dimmers, see 8lighting.com/resources-downloads. Outputs vary depending on LED type, trim type, and optical accessories used. For photometric files in PDF and IES formats, see 8lighting.com/800-series-photometry.

Warranty

All No. 8 Lighting products are covered by a 5 year limited warranty. Products installed in residential steam applications are covered by a 2 year limited warranty. For specific warranty details and limitations, see 8lighting.com/resources-downloads.

JA8-2022 CA Title Compliant

804/J2 w/ FS/FLS/INS 1.75" APERTURE TRIM - PERFORMANCE SUMMARY

| LED | OUTPUT | CCT | CRI | R9 | Delivered Lumens | System Wattage | Delivered LPW |
|-------|--------|-------|-----|----|------------------|----------------|---------------|
| HI-27 | 1400 | 2700K | 94 | 57 | 962-1141 | 20 | 48-57 |
| HI | 1400 | 3000K | 93 | 58 | 1034-1227 | 20 | 52-6 |

Performance summary for HI LED with 15°, 25°, and 40° optic options.

804/JS w/ FR/FLR/INR 1.75" APERTURE TRIM - PERFORMANCE SUMMARY

| LED | OUTPUT | CCT | CRI | R9 | Delivered Lumens | System Wattage | Delivered LPW |
|-------|--------|-------|-----|----|------------------|----------------|---------------|
| HI-27 | 1400 | 2700K | 94 | 57 | 933-1156 | 20 | 47-58 |
| HI | 1400 | 3000K | 93 | 58 | 1003-1243 | 20 | 50-62 |

Performance summary for HI LED with 15°, 25°, and 40° optic options.

804/J2 w/ FS/FLS/INS-LG/NL 2.75" APERTURE TRIM - PERFORMANCE SUMMARY

| LED | OUTPUT | CCT | CRI | R9 | Delivered Lumens | System Wattage | Delivered LPW |
|-------|--------|-------|-----|----|------------------|----------------|---------------|
| HI-27 | 1400 | 2700K | 94 | 57 | 1098-1262 | 20 | 55-63 |
| HI | 1400 | 3000K | 93 | 58 | 1181-1357 | 20 | 59-68 |

Performance summary for HI LED with 15°, 25°, and 40° optic options.

804/J2 w/ FR/FLR/INR-LG/NL 2.75" APERTURE TRIM - PERFORMANCE SUMMARY

| LED | OUTPUT | CCT | CRI | R9 | Delivered Lumens | System Wattage | Delivered LPW |
|-------|--------|-------|-----|----|------------------|----------------|---------------|
| HI-27 | 1400 | 2700K | 94 | 57 | 1097-1256 | 20 | 55-63 |
| HI | 1400 | 3000K | 93 | 58 | 1180-1350 | 20 | 59-68 |

Performance summary for HI LED with 15°, 25°, and 40° optic options.

804/J2 w/ 1.75" APERTURE TRIM - OPTICAL OPTIONS AND ACCESSORY PERFORMANCE SUMMARY

| OPTIC OPTIONS | LED OPTION | BEAM ENHANCING LENS (OPTIONAL)* | | | | |
|------------------|------------|---------------------------------|-------|------|-------|-----------|
| | | + NSP | + NFL | + FL | + WFL | + LS |
| 15° Narrow Spot | HI | 21° | 30° | 45° | 51° | 21° x 40° |
| 25° Narrow Flood | HI | 28° | 34° | 47° | 52° | 30° x 39° |
| 40° Flood | HI | 41° | 43° | 43° | 59° | 40° x 52° |

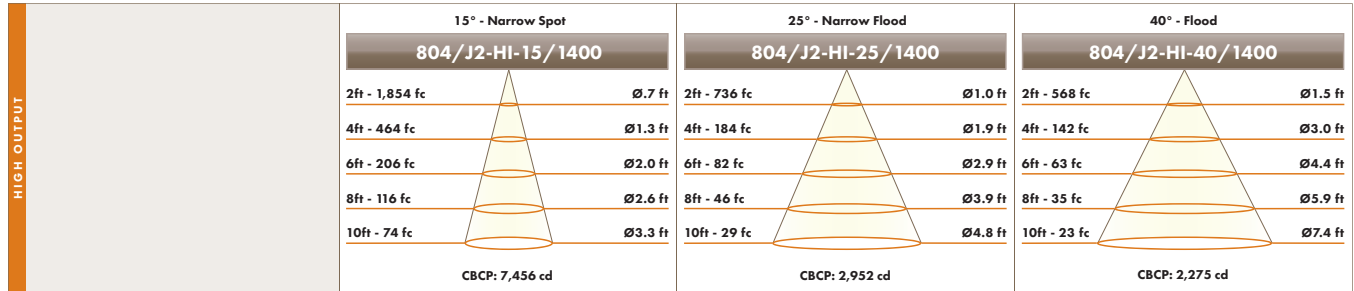
*Beam enhancing lens used in combination with 15°, 25°, or 40° optic to achieve desired beam spread.

804/J2 w/ 2.75" APERTURE TRIM - OPTICAL OPTIONS AND ACCESSORY PERFORMANCE SUMMARY

| OPTIC OPTIONS | LED OPTION | BEAM ENHANCING LENS (OPTIONAL)* | | | | |
|------------------|------------|---------------------------------|-------|------|-------|-----------|
| | | + NSP | + NFL | + FL | + WFL | + LS |
| 15° Narrow Spot | HI | 21° | 31° | 54° | 67° | 22° x 48° |
| 25° Narrow Flood | HI | 29° | 37° | 57° | 71° | 30° x 55° |
| 40° Flood | HI | 42° | 45° | 46° | 80° | 41° x 63° |

*Beam enhancing lens used in combination with 15°, 25°, or 40° optic to achieve desired beam spread.

804/J2 w/ FS/FLS/INS 1.75" APERTURE TRIM - CONE OF LIGHT DIAGRAMMS



804/J2 w/ FS/FLS/INS-LG/NL 2.75" APERTURE TRIM - CONE OF LIGHT DIAGRAMMS

