

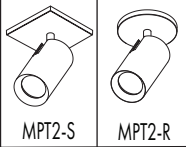
# INSTALLATION INSTRUCTIONS - MPT2-R/S-Monopoint

## For Integral and Remote Dimming Options with 4" Backplate

### CAUTION: TO AVOID RISK OF FIRE OR ELECTRIC SHOCK

Turn off power at circuit breaker or fuse panel & read instructions completely before proceeding. Failure to follow instructions may void warranty. Save these instructions.

- Installation must conform to National Electric code and local regulations.
- Installation must be by a qualified electrician only.
- Verify correct dimming system, LED type, power supply type and input supply requirements.
- Always allow LED assembly to cool before servicing.
- Do not install where insulation or ambient temperature will exceed maximum values noted in product specifications.
- See [www.8lighting.com](http://www.8lighting.com) for current product specifications.



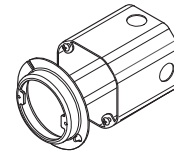
### MPT2-R/S Install and Adjust

**Step 1** Determine Power Supply type and junction box requirements - FIG 1.1.

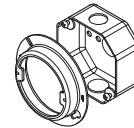
**Step 2** After junction box installation, wire according to wiring instructions shown on proceeding pages.

**Step 3** After ceiling or wall installation and wiring is complete, install Mounting Bracket to mud ring. Locate In-line Power Connector and connect Fixture to Power Supply. Position Fixture Backplate as desired and tighten set screw in Backplate - FIG 1.4 & 1.5

**Step 4** (Adjustment) Remove Housing from Heat Sink as shown & remove Accessory Ring to remove or install accessories. Loosen set screws slightly (DO NOT remove) with Hex Keys provided to adjust head tilt or rotation as shown. Lock position by tightening set screws - FIG 1.2 & 1.3.



4" x 3-1/2" deep junction box with 4" Round x 1/2" (min) deep mud-ring **required** for **INTEGRAL** dimming options.



4" x 1-1/2" deep junction box with 4" Round x 1/2" (min) deep mud-ring **optional** for **REMOTE** dimming options.

FIG 1.1

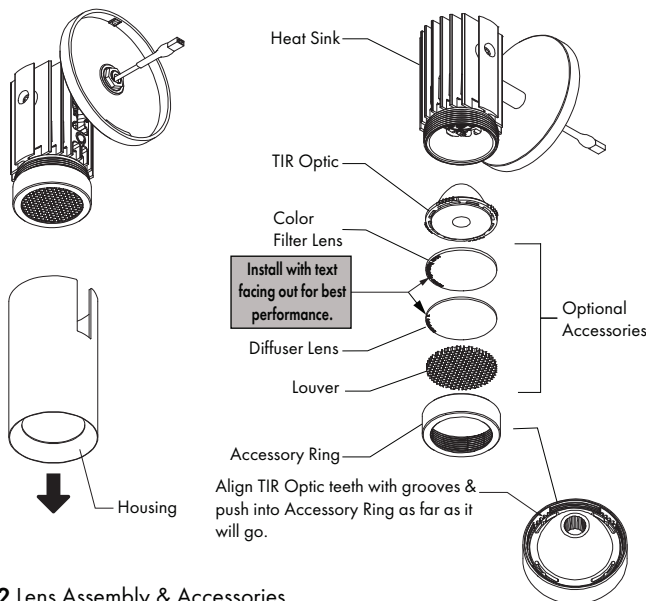


FIG 1.2 Lens Assembly & Accessories

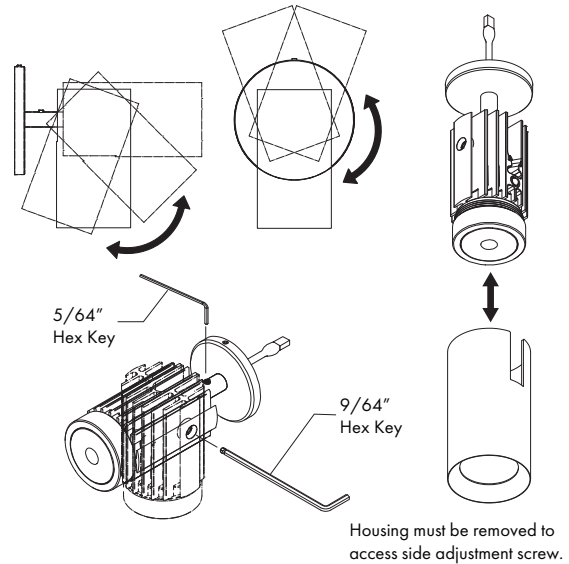


FIG 1.3 Fixture Adjustment

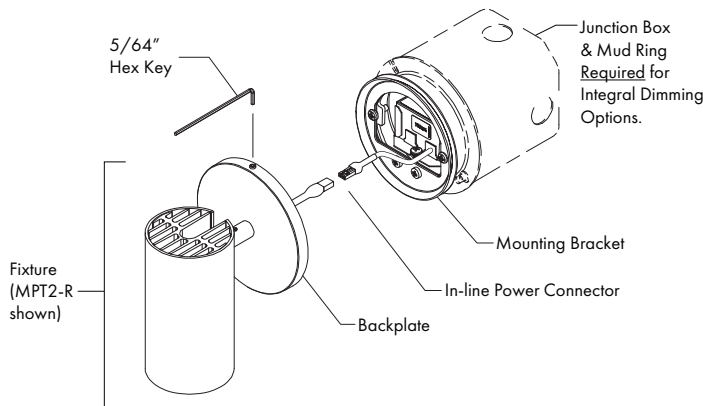


FIG 1.4 Lens Assembly & Accessories

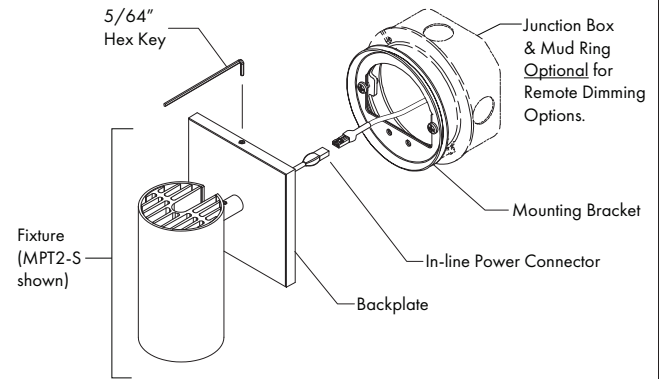


FIG 1.5 Install Fixture (Remote Power Supply)

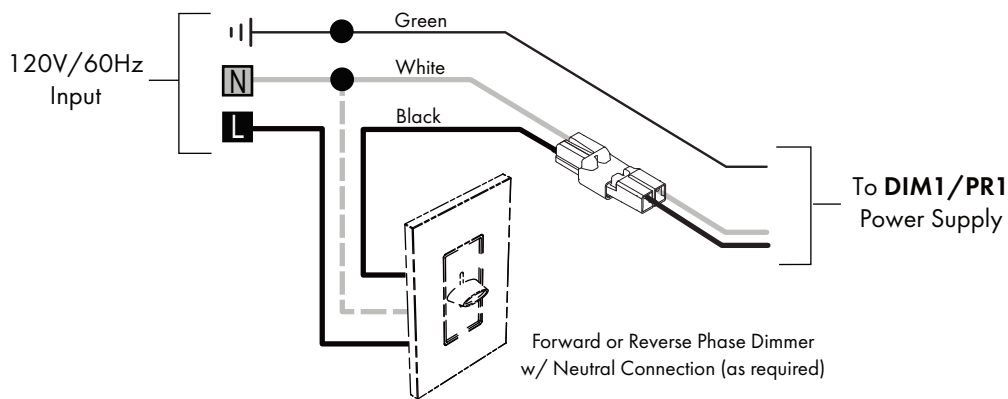
# WIRING INSTRUCTIONS - MPT2

## For DIM1/PR1-M4-1000/1000-WD/1400 Integral Dimming Options

### Wiring Connections

1. Verify correct power supply model (see label on cover plate), LED type (see label on fixture) and input requirements (see label on driver) - FIG 2.2.
2. Connect supply & ground wires following Wiring Diagram - FIG 2.1.
3. Push all wires & connections completely inside junction box and secure Power Supply Assembly to Junction Box Mud Ring - 2.2.

### DIM1/PR1-M4-1000/1000-WD/1400 - INTEGRAL PHASE CONTROL

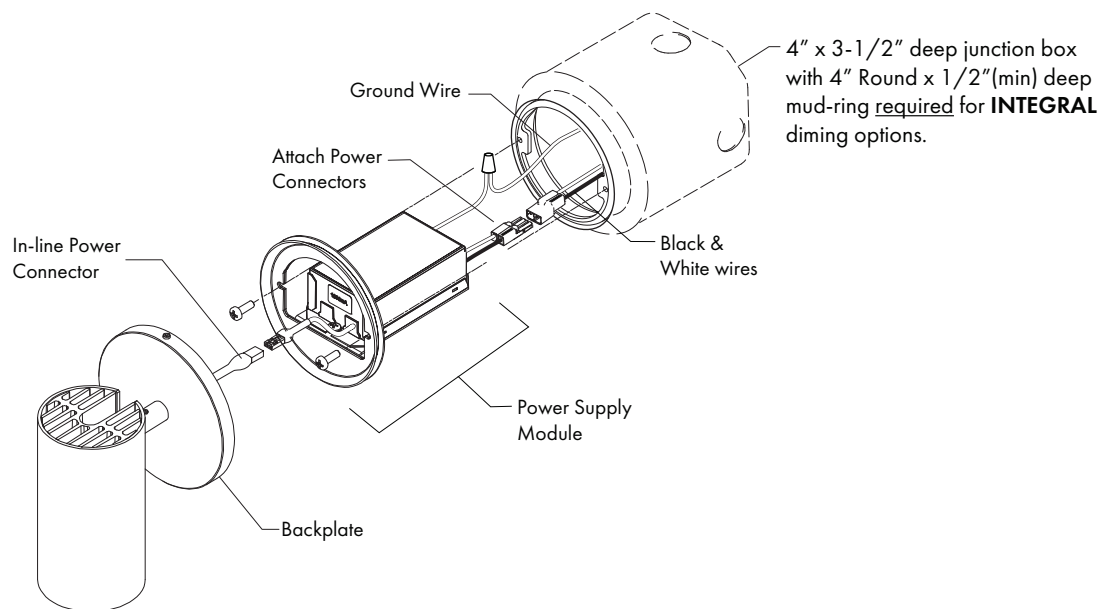


#### Phase Control Notes:

**DIM1/PR1** drivers are Forward Phase Dimmable only.

for compatible dimmers for use with **DIM1/PR1** drivers, refer to [www.8lighting.com/resources-downloads](http://www.8lighting.com/resources-downloads).

**FIG 2.1** Wiring Diagram



**FIG 2.2** Wire & Install Integral Power Supply

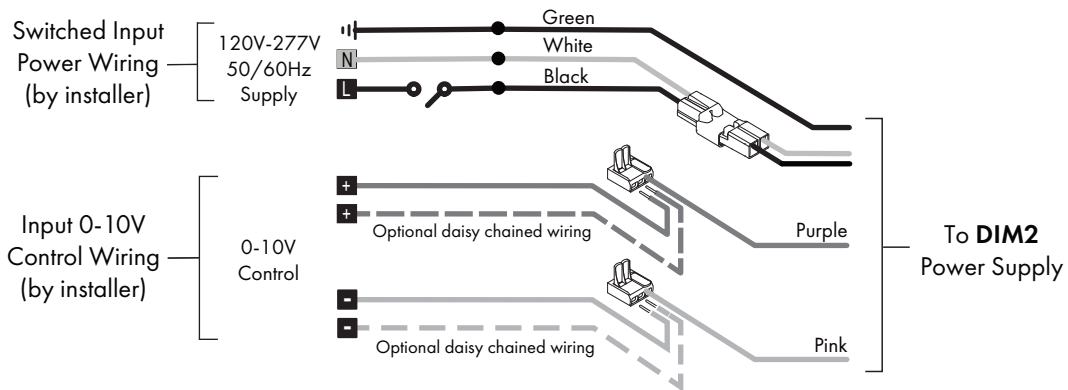
# WIRING INSTRUCTIONS - MPT2 (continued)

## For DIM2-M4-1000/1000-WD/1400 Integral Dimming Options

### Wiring Connections

1. Verify correct power supply model (see label on cover plate), LED type (see label on fixture) and input requirements (see label on driver) - FIG 3.2.
2. Connect supply & ground wires following Wiring Diagram - FIG 3.1.
3. Push all wires & connections completely inside junction box and secure Power Supply Assembly to Junction Box Mud Ring - 3.2.

### DIM2-M4-1000/1000-WD/1400 - INTEGRAL 0-10V CONTROL

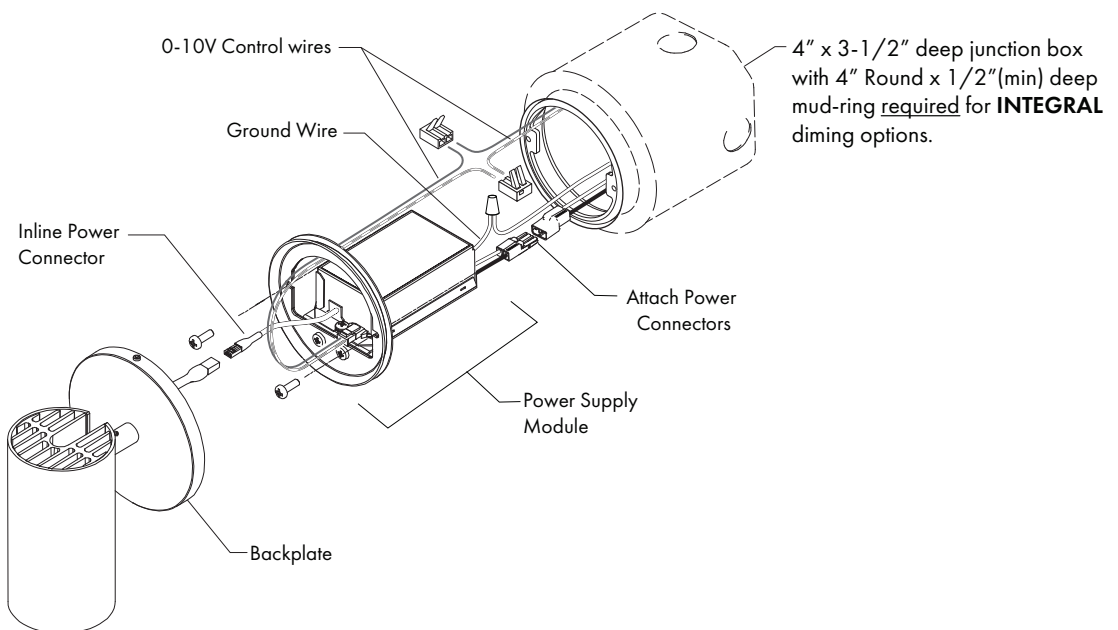


#### 0-10V Control Notes:

**DIM2** drivers are 0-10V dimmable and the supply power (120V or 277V) must be switched. 0-10V control wiring is polarity sensitive and should be run as Class 2. 300' is the maximum control wiring run length to reduce EMI susceptibility and voltage drop. Voltage drop should be no greater than 0.3V.

For compatible dimmers for use with **DIM2** drivers see: [www.8lighting.com/resources-downloads](http://www.8lighting.com/resources-downloads)

**FIG 3.1** Wiring Diagram



**FIG 3.2** Wire & Install Integral Power Supply

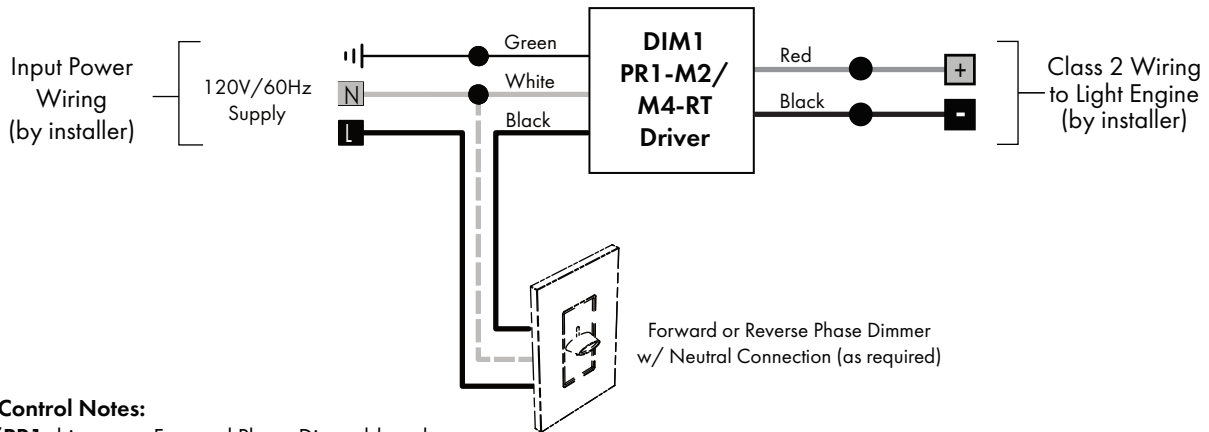
# WIRING INSTRUCTIONS - MPT2 (continued)

## For DIM1/PR1-M2/M4-RT-1000/1000-WD/1400 Remote Dimming Options

### Wiring Connections

1. Verify correct power supply model (see label on cover plate), LED type (see label on fixture), wire length and gauge (see chart below) and input requirements (see label on driver) - FIG 4.2.
2. Install & wire remote power supply assembly - FIG 4.1 & 4.2.
3. Connect fixture supply wires to Class 2 wiring - FIG 4.1 & 4.2.
4. Push fixture supply connections completely behind Mounting Bracket - FIG 4.2.

### DIM1/PR1-M2/M4-RT-1000/1000-WD/1400 - REMOTE PHASE CONTROL

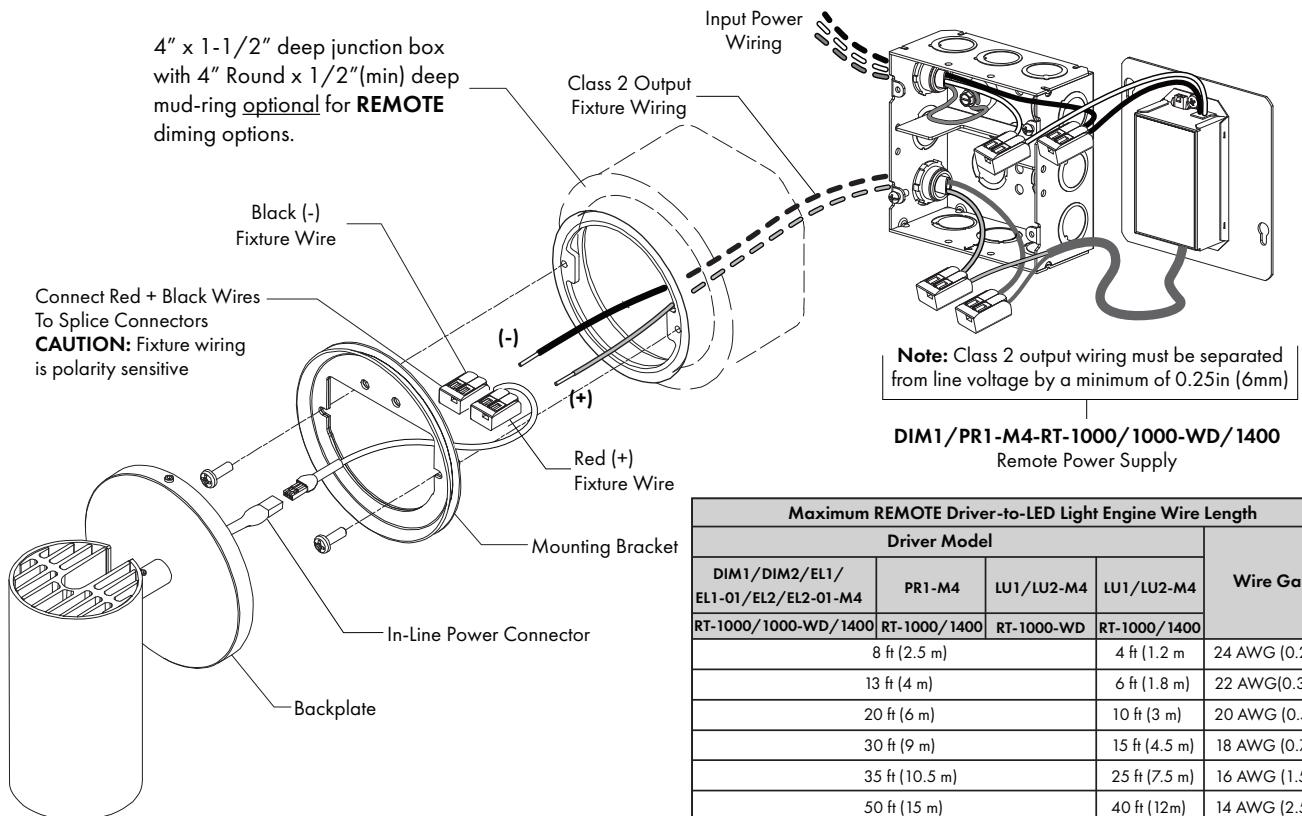


#### Phase Control Notes:

**DIM1/PR1** drivers are Forward Phase Dimmable only.

for compatible dimmers for use with **DIM1/PR1** drivers, refer to [www.8lighting.com/resources-downloads](http://www.8lighting.com/resources-downloads).

**FIG 4.1** Wiring Diagram



4" x 1-1/2" deep junction box with 4" Round x 1/2" (min) deep mud-ring optional for **REMOTE** dimming options.

Black (-) Fixture Wire

Connect Red + Black Wires To Splice Connectors  
**CAUTION:** Fixture wiring is polarity sensitive

Red (+) Fixture Wire

Mounting Bracket

In-Line Power Connector

Backplate

**Note:** Class 2 output wiring must be separated from line voltage by a minimum of 0.25in (6mm)

**DIM1/PR1-M4-RT-1000/1000-WD/1400**  
Remote Power Supply

Maximum REMOTE Driver-to-LED Light Engine Wire Length				
Driver Model				Wire Gauge
DIM1/DIM2/EL1/ EL1-01/EL2/EL2-01-M4	PR1-M4	LU1/LU2-M4	LU1/LU2-M4	
RT-1000/1000-WD/1400	RT-1000/1400	RT-1000-WD	RT-1000/1400	
	8 ft (2.5 m)		4 ft (1.2 m)	24 AWG (0.2mm <sup>2</sup> )
	13 ft (4 m)		6 ft (1.8 m)	22 AWG (0.34mm <sup>2</sup> )
	20 ft (6 m)		10 ft (3 m)	20 AWG (0.5 mm <sup>2</sup> )
	30 ft (9 m)		15 ft (4.5 m)	18 AWG (0.75 mm <sup>2</sup> )
	35 ft (10.5 m)		25 ft (7.5 m)	16 AWG (1.5 mm <sup>2</sup> )
	50 ft (15 m)		40 ft (12m)	14 AWG (2.5 mm <sup>2</sup> )
	100 ft (30 m)		60 ft (18 m)	12 AWG (4.0 mm <sup>2</sup> )

Wire Type: Stranded Class 2 wire (supplied by others)

**FIG 4.2** Wire & Install Remote Power Supply

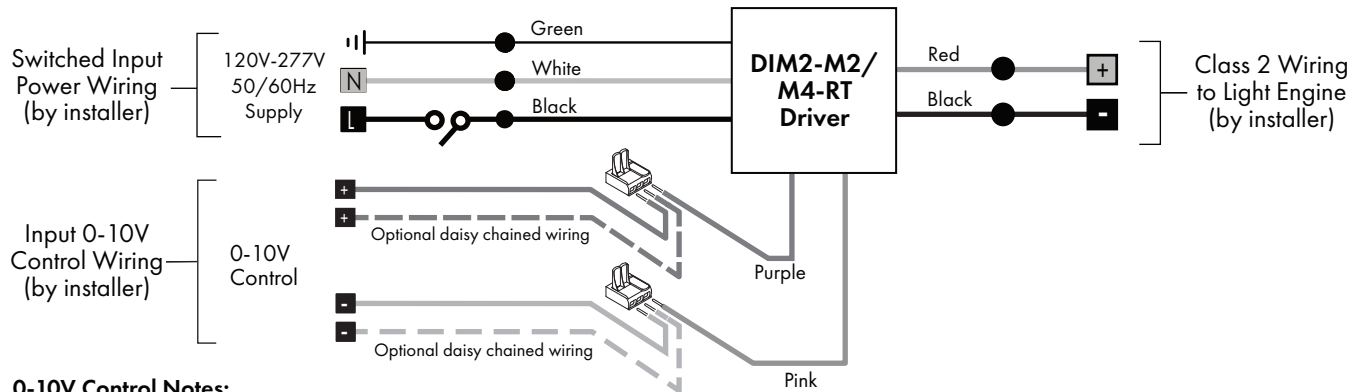
# WIRING INSTRUCTIONS - MPT2 (continued)

## For DIM2-M2/M4-RT-1000/1000-WD/1400 Remote Dimming Options

### Wiring Connections

1. Verify correct power supply model (see label on cover plate), LED type (see label on fixture), wire length and gauge (see chart below) and input requirements (see label on driver) - FIG 5.2.
2. Install & wire remote power supply assembly - FIG 5.1 & 5.2.
3. Connect fixture supply wires to Class 2 wiring - FIG 5.1 & 5.2.
4. Push fixture supply connections completely behind Mounting Bracket - FIG 5.2.

### DIM2/M4-RT-1000/1000-WD/1400 - REMOTE 0-10V CONTROL



#### 0-10V Control Notes:

0-10V control wiring is polarity sensitive and should be run as Class 2. 300' is the maximum control wiring run length to reduce EMI susceptibility and voltage drop. Voltage drop should be no greater than 0.3V. For compatible dimmers for use with DIM2 drivers see: [www.8lighting.com/resources-downloads](http://www.8lighting.com/resources-downloads).

FIG 5.1 Wiring Diagram

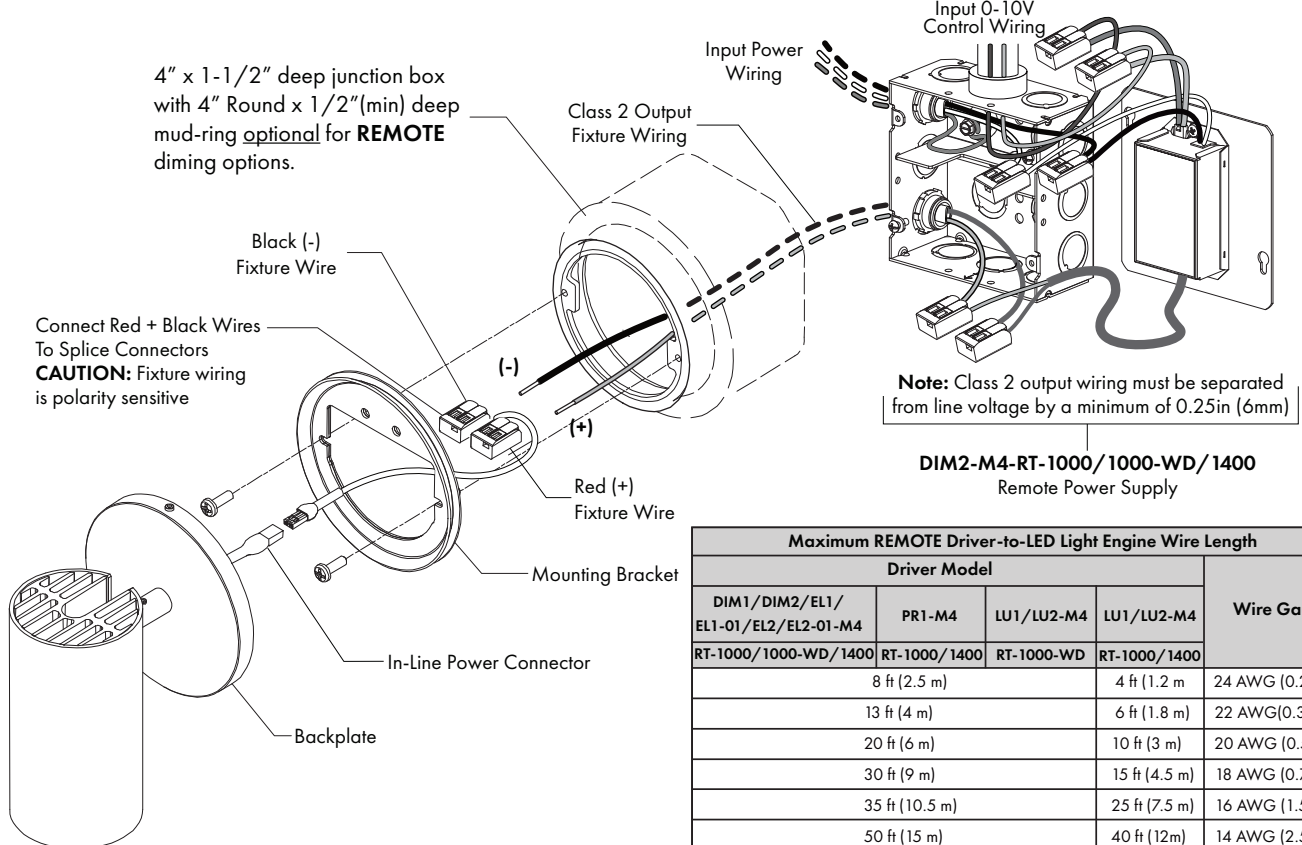


FIG 5.2 Wire & Install Remote Power Supply

Maximum REMOTE Driver-to-LED Light Engine Wire Length				
Driver Model				Wire Gauge
DIM1/DIM2/EL1/ EL1-01/EL2/EL2-01-M4	PR1-M4	LU1/LU2-M4	LU1/LU2-M4	
RT-1000/1000-WD/1400	RT-1000/1400	RT-1000-WD	RT-1000/1400	
	8 ft (2.5 m)		4 ft (1.2 m)	24 AWG (0.2mm <sup>2</sup> )
	13 ft (4 m)		6 ft (1.8 m)	22 AWG(0.34mm <sup>2</sup> )
	20 ft (6 m)		10 ft (3 m)	20 AWG (0.5 mm <sup>2</sup> )
	30 ft (9 m)		15 ft (4.5 m)	18 AWG (0.75 mm <sup>2</sup> )
	35 ft (10.5 m)		25 ft (7.5 m)	16 AWG (1.5 mm <sup>2</sup> )
	50 ft (15 m)		40 ft (12m)	14 AWG (2.5 mm <sup>2</sup> )
	100 ft (30 m)		60 ft (18 m)	12 AWG (4.0 mm <sup>2</sup> )

Wire Type: Stranded Class 2 wire (supplied by others)

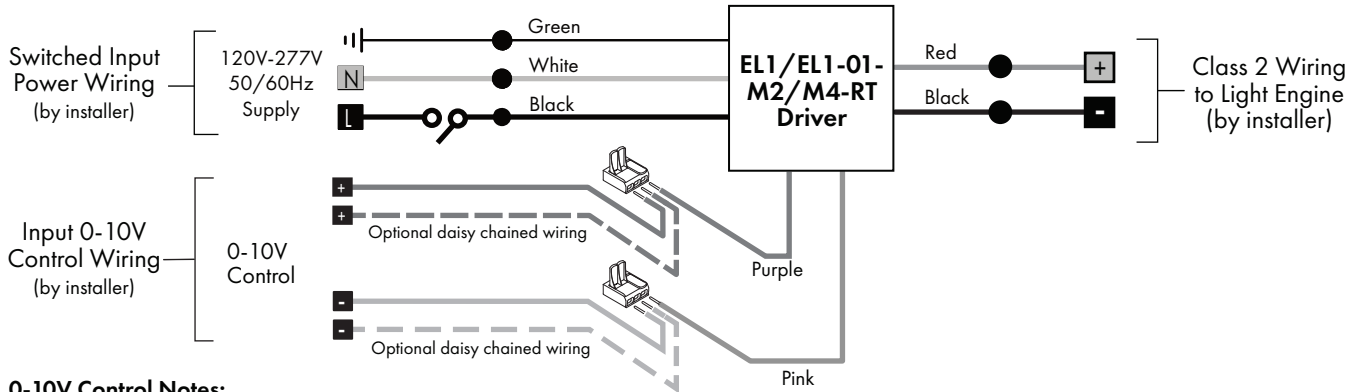
# WIRING INSTRUCTIONS - MPT2 (continued)

For EL1/EL1-01-M2 /M4-RT-1000/1000-WD/1400 Remote Dimming Option

## Wiring Connections

1. Verify correct power supply model (see label on cover plate), LED type (see label on fixture), wire length and gauge (see chart below) and input requirements (see label on driver) - FIG 6.2.
2. Install & wire remote power supply assembly - FIG 6.1 & 6.2.
3. Connect fixture supply wires to Class 2 wiring - FIG 6.1 & 6.2.
4. Push fixture supply connections completely behind Mounting Bracket - FIG 1.3 & 4.2.

## EL1/EL1-01-M2/M4-RT-1000/1000-WD/1400 - REMOTE 0-10V CONTROL



### 0-10V Control Notes:

0-10V control wiring is polarity sensitive and should be run as Class 2. 300' is the maximum control wiring run length to reduce EMI susceptibility and voltage drop. Voltage drop should be no greater than 0.3V. For compatible dimmers for use with **EL1** drivers see: [www.8lighting.com/resources-downloads](http://www.8lighting.com/resources-downloads).

FIG 6.1 Wiring Diagram

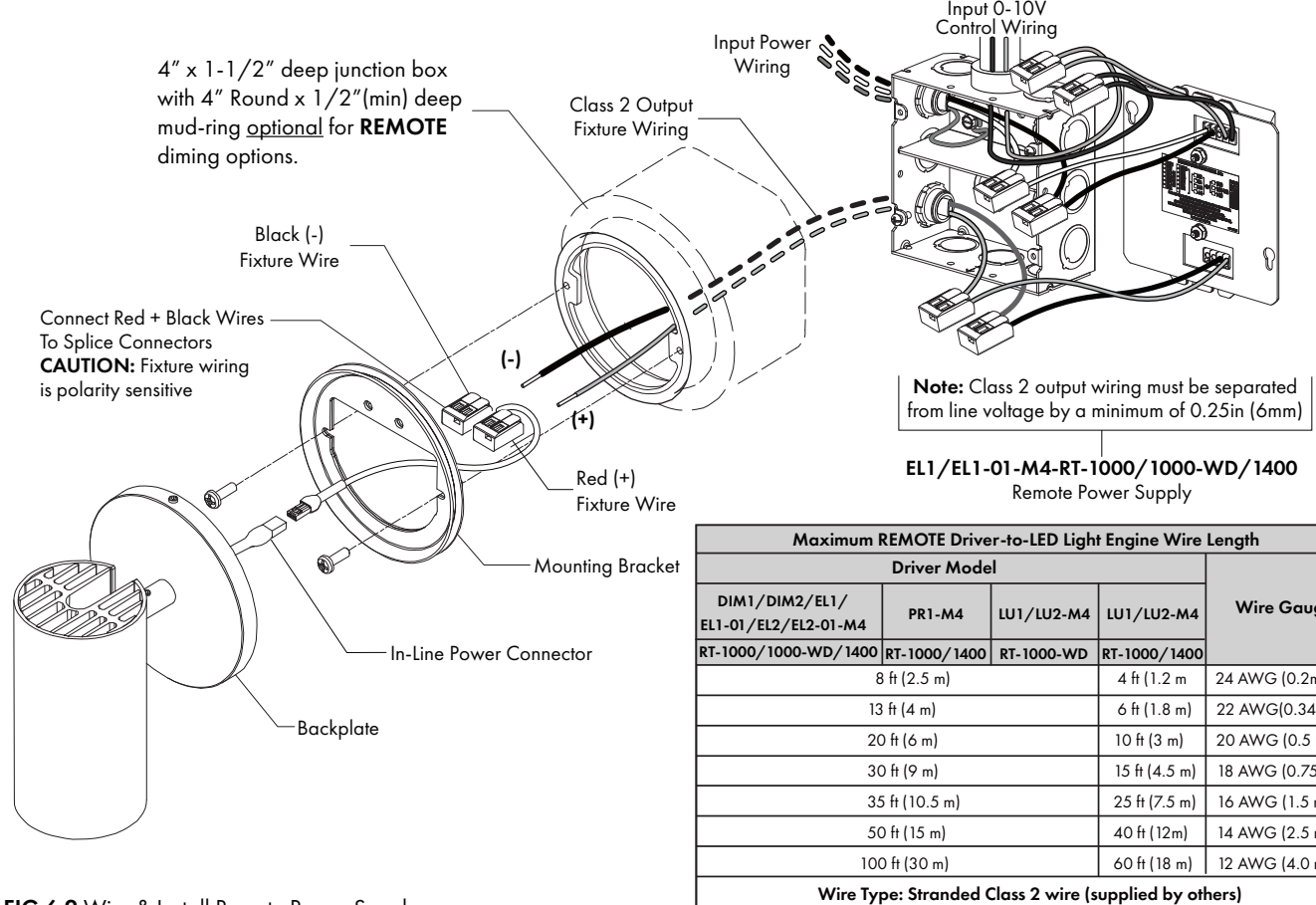


FIG 6.2 Wire & Install Remote Power Supply



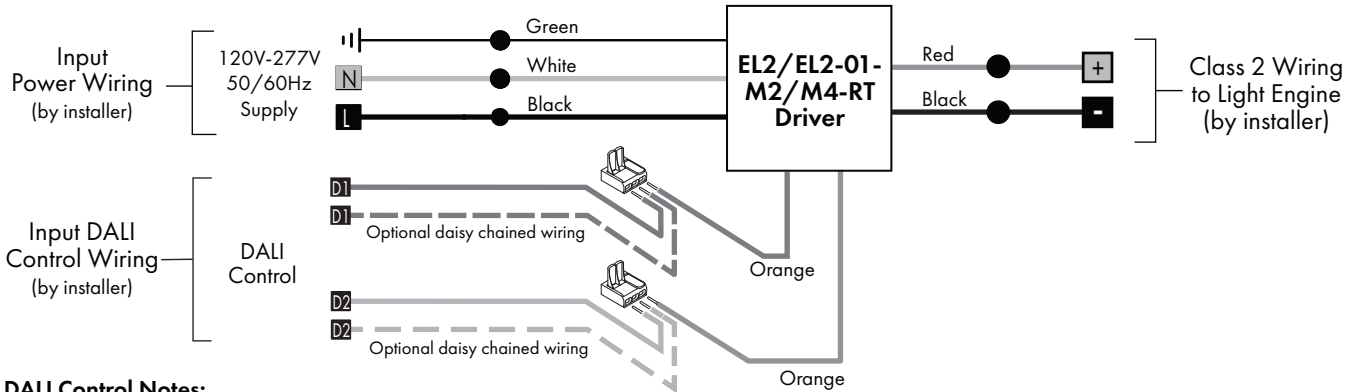
# WIRING INSTRUCTIONS - MPT2 (continued)

## For EL2/EL2-01-M2 /M4-RT-1000/1000-WD/1400 Remote Dimming Option

### Wiring Connections

1. Verify correct power supply model (see label on cover plate), LED type (see label on fixture), wire length and gauge (see chart below) and input requirements (see label on driver) - FIG 7.2.
2. Install & wire remote power supply assembly - FIG 7.1 & 7.2.
3. Connect fixture supply wires to Class 2 wiring - FIG 7.1 & 7.2.
4. Push fixture supply connections completely behind Mounting Bracket - FIG 7.2.

### EL2/EL2-01-M2/M4-RT-1000/1000-WD/1400 - REMOTE DALI CONTROL



#### DALI Control Notes:

DALI control wiring is NOT polarity sensitive and can be run as Class 1 or 2.  
Up to 64 **EL2** power supplies can be daisy chained per DALI control loop. Maximum control wiring run length is 1000'.  
For compatible dimmers for use with **EL2** drivers see: [www.8lighting.com/resources-downloads](http://www.8lighting.com/resources-downloads).

FIG 7.1 Wiring Diagram

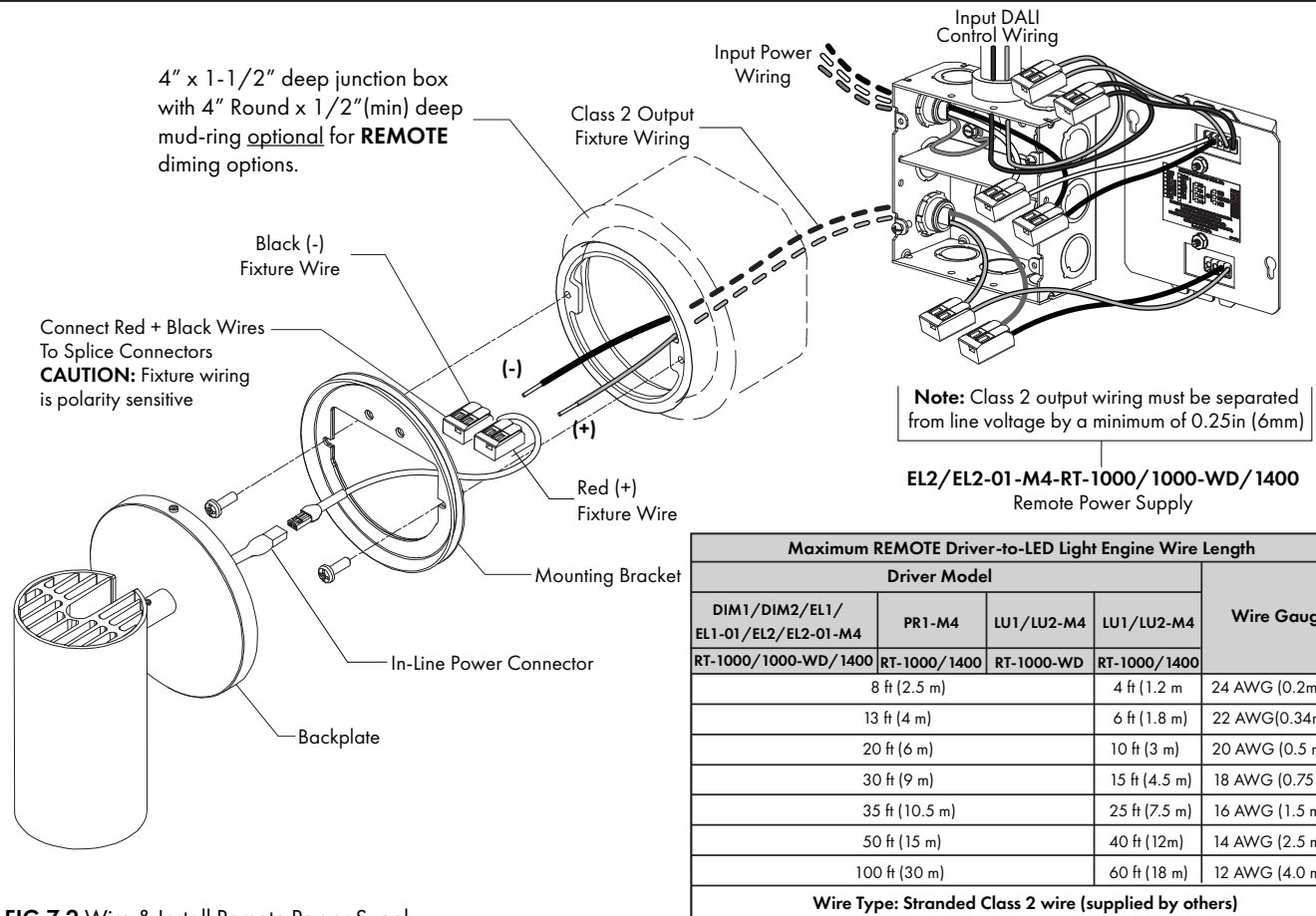


FIG 7.2 Wire & Install Remote Power Supply

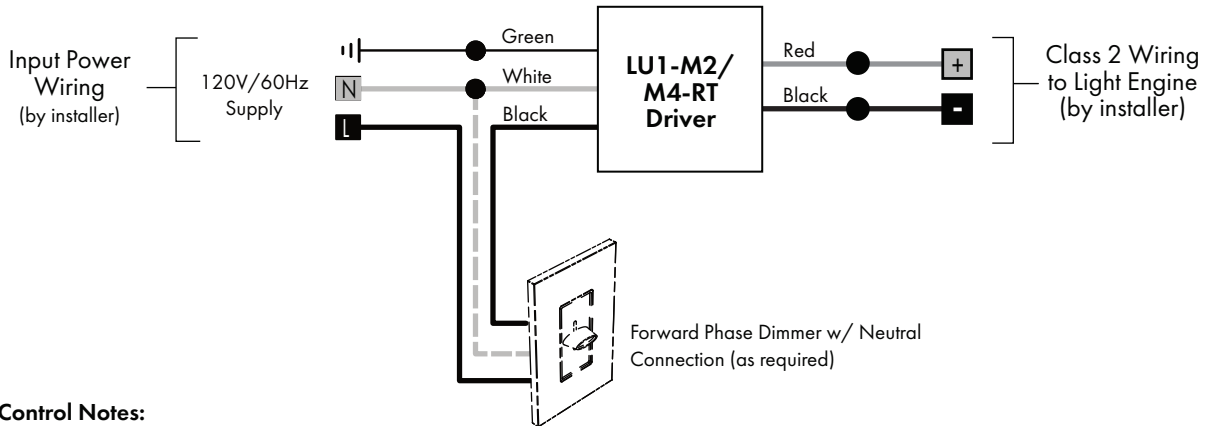
# WIRING INSTRUCTIONS - MPT2 (continued)

## For LU1-M2/M4-RT-1000/1000-WD/1400 Remote Dimming Option

### Wiring Connections

1. Verify correct power supply model (see label on cover plate), LED type (see label on fixture), wire length and gauge (see chart below) and input requirements (see label on driver) - FIG 8.2.
2. Install & wire remote power supply assembly - FIG 8.1 & 8.2.
3. Connect fixture supply wires to Class 2 wiring - FIG 8.1 & 8.2.
4. Push fixture supply connections completely behind Mounting Bracket - FIG 8.2.

### LU1-M2/M4-RT-1000/1000-WD/1400 - REMOTE PHASE CONTROL



#### Phase Control Notes:

LU1 drivers are Forward Phase dimmable only.

For compatible dimmers for use with LU1 drivers, contact Lutron LED Center of Excellence at 1.877.346.5338 or LEDs@lutron.com.

FIG 8.1 Wiring Diagram

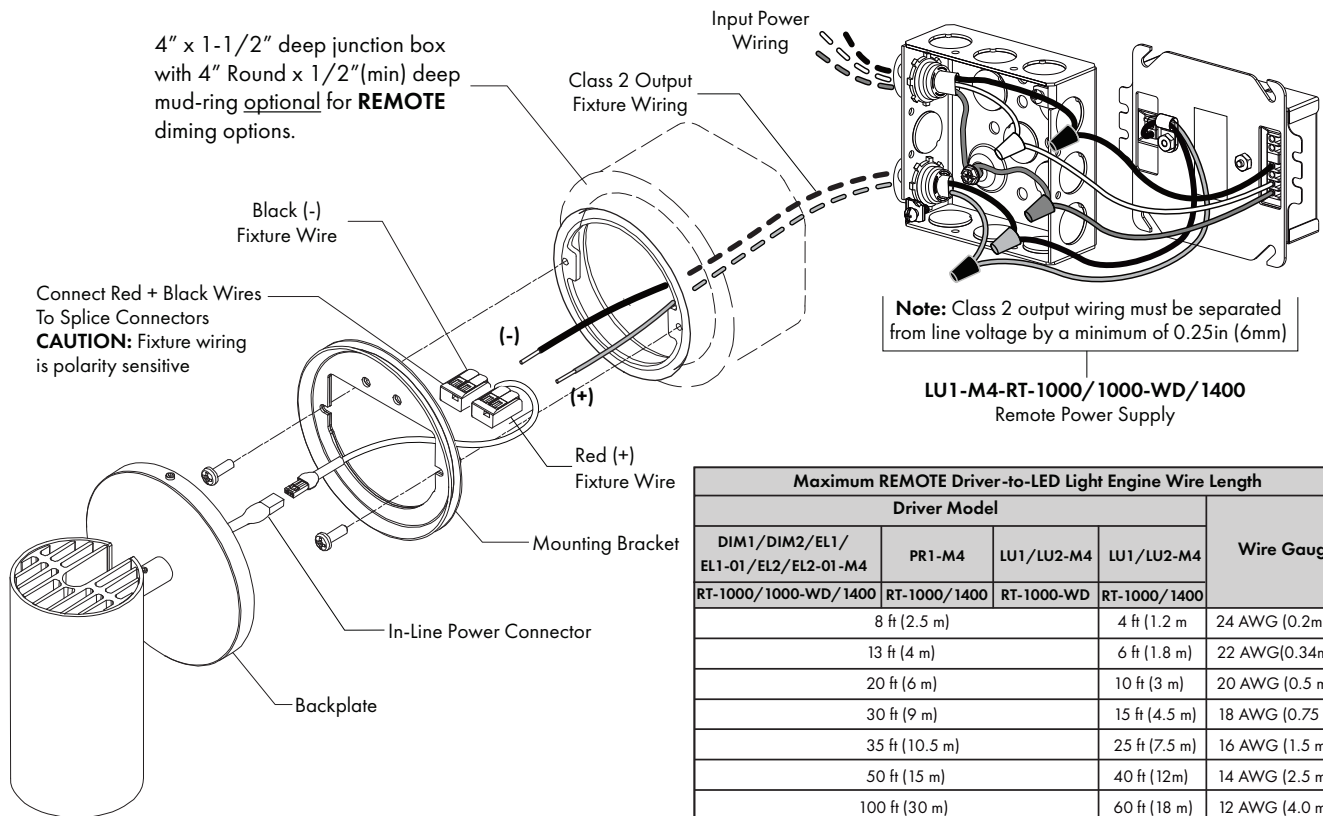


FIG 8.2 Wire & Install Remote Power Supply



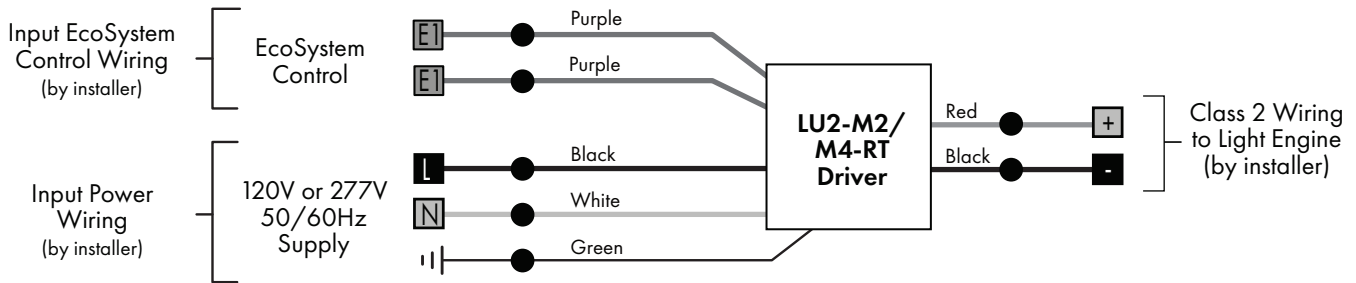
# WIRING INSTRUCTIONS - MPT2 (continued)

## For LU2-M2/M4-RT-1000/1000-WD Remote Dimming Options

### Wiring Connections

1. Verify correct power supply model (see label on cover plate), LED type (see label on fixture), wire length and gauge (see chart below) and input requirements (see label on driver) - FIG 9.2.
2. Install & wire remote power supply assembly - FIG 9.1 & 9.2.
3. Connect fixture supply wires to Class 2 wiring - FIG 9.1 & 9.2.
4. Push fixture supply connections completely behind Mounting Bracket - FIG 9.2.

### LU2-M2/M4-RT-1000/1000-WD - REMOTE ECOSYSTEM CONTROL



#### Lutron EcoSystem Control Notes:

Up to 64 LU2 power supplies can be daisy chained per EcoSystem control loop. Maximum control wiring run length is 1000'. For additional information contact LED Center of Excellence at 1.877.346.5338 or LEDs@lutron.com.

FIG 9.1 Wiring Diagram

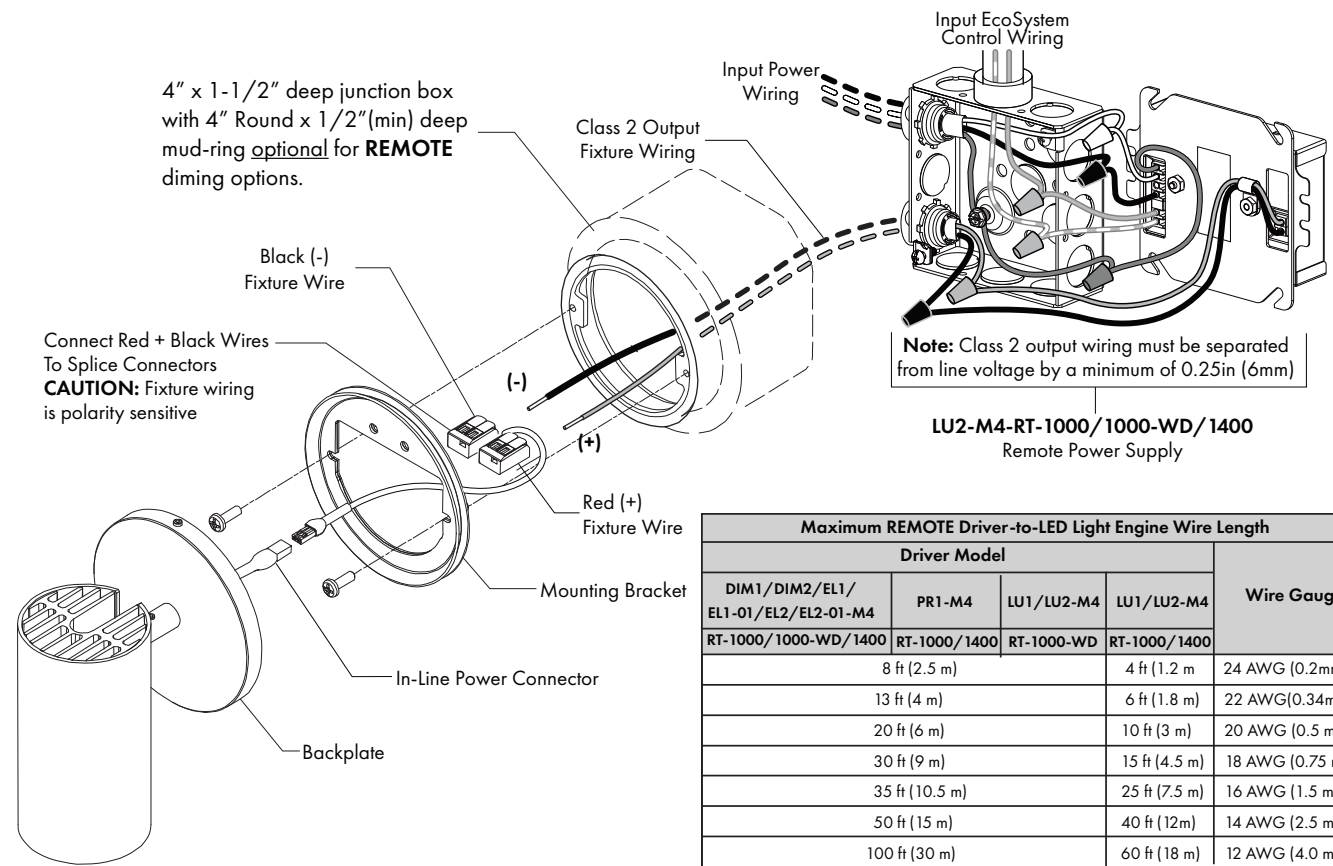


FIG 9.2 Wire & Install Remote Power Supply

Maximum REMOTE Driver-to-LED Light Engine Wire Length				
Driver Model				Wire Gauge
DIM1/DIM2/EL1/EL1-01/EL2/EL2-01-M4	PR1-M4	LU1/LU2-M4	LU1/LU2-M4	
RT-1000/1000-WD/1400	RT-1000/1400	RT-1000-WD	RT-1000/1400	
	8 ft (2.5 m)		4 ft (1.2 m)	24 AWG (0.2mm <sup>2</sup> )
	13 ft (4 m)		6 ft (1.8 m)	22 AWG(0.34mm <sup>2</sup> )
	20 ft (6 m)		10 ft (3 m)	20 AWG (0.5 mm <sup>2</sup> )
	30 ft (9 m)		15 ft (4.5 m)	18 AWG (0.75 mm <sup>2</sup> )
	35 ft (10.5 m)		25 ft (7.5 m)	16 AWG (1.5 mm <sup>2</sup> )
	50 ft (15 m)		40 ft (12m)	14 AWG (2.5 mm <sup>2</sup> )
	100 ft (30 m)		60 ft (18 m)	12 AWG (4.0 mm <sup>2</sup> )
Wire Type: Stranded Class 2 wire (supplied by others)				