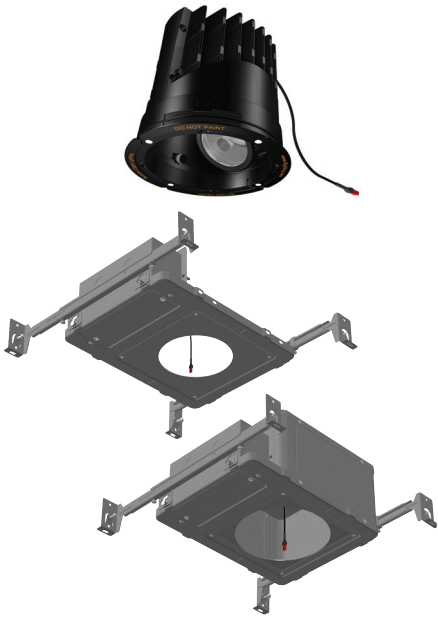


400 Series Recessed LED

NEW CONSTRUCTION



400 – ADJUSTABLE LED

- IC Rated / Airtight / Chicago Plenum* Rated (*with optional CP mounting frame)
- 2019 CA JA8 Compliant
- Fully adjustable (0-35° vertical / 360° horizontal) for general, accent and wall wash* lighting applications (*with optional WW-4 wall wash accessory)
- 4-7/8" maximum* overall height (*with 1/2" ceiling material)
- 5-3/8" overall height (with optional CP mounting frame)
- Accommodates ceiling thicknesses ranging from 1/2" – 5-1/2" without affecting aiming or adjustment
- 3000K 92+ CRI White LED delivers up to 1077 lumens at 14.0 watts
- 3000-1800K 97+ CRI and 2800-2200K 95+ CRI Warm Dim LED options deliver up to 813 lumens at 14.6 watts
- Four beam spread options: 10°, 15°, 25°, and 40°
- Five interchangeable beam enhancing lenses
- Three interchangeable color filtering lenses
- Ten Dimming Driver options
- Works with all **400 Series** flanged and flangeless trims



526 Portal Street
Cotati, CA 94931
USA

P 707.794.0888
F 707.795.4379

www.8lighting.com

All No. 8 Lighting fixtures and components are UL/CSA listed. No. 8 Lighting trims and lamp modules are protected by one or more U.S. Patents. No. 8 Lighting reserves the right to change details of design, materials, and finish.

© 2022 No. 8 Lighting



02/2022

93101-02