



Round Trim Installation-Wood/Stone Ceilings

Recessed Housing Model Series 804 & 804S Series

Determining Housing Position For Trim

IMPORTANT:
Housing must be in correct height position for Trim Kit model before installing Trim Kits.

STEP 1 Determine which Trim Kit model below is specified for use on housing.
Check Hanger Bracket position & Mounting Ring type according to Table 1.1.
Adjust Hanger Bracket position as needed FIG 1.1, 1.2 & 1.3.

- ▶ For ceiling cutout details - see Page 2
- ▶ For Trim assembly & adjustment details - see Page 3
- ▶ For Trim installation details - see Page 4

Trim Styles	Mounting Ring	For Ceiling Thickness Range	Position #
FR-W, FLR-W	Standard	1" to 1-1/2"	Lower (#1)
		1/2" to 1"	Upper (#2)
INR-W, FLINR-W	Short	1" to 1-1/4"	Lower (#1)
		1/2" to 3/4"	Upper (#2)
	Tall	1-1/4" to 1-1/2"	Lower (#1)
		3/4" to 1"	Upper (#2)

Trim Kit Models

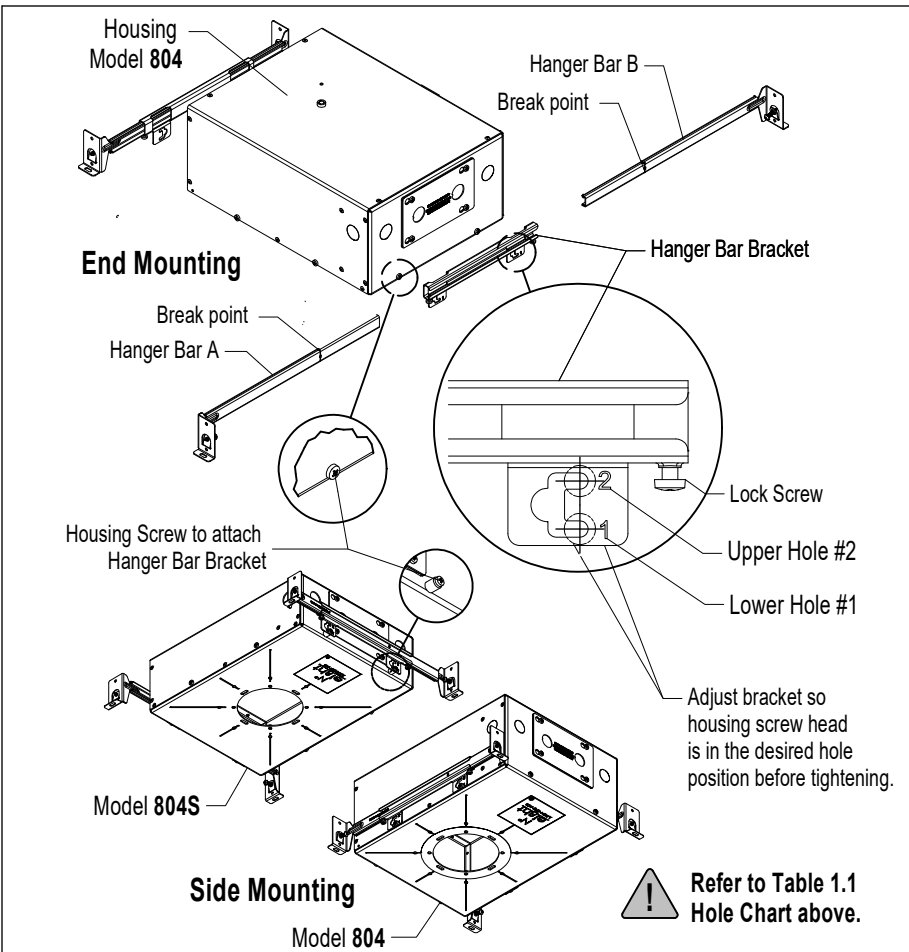
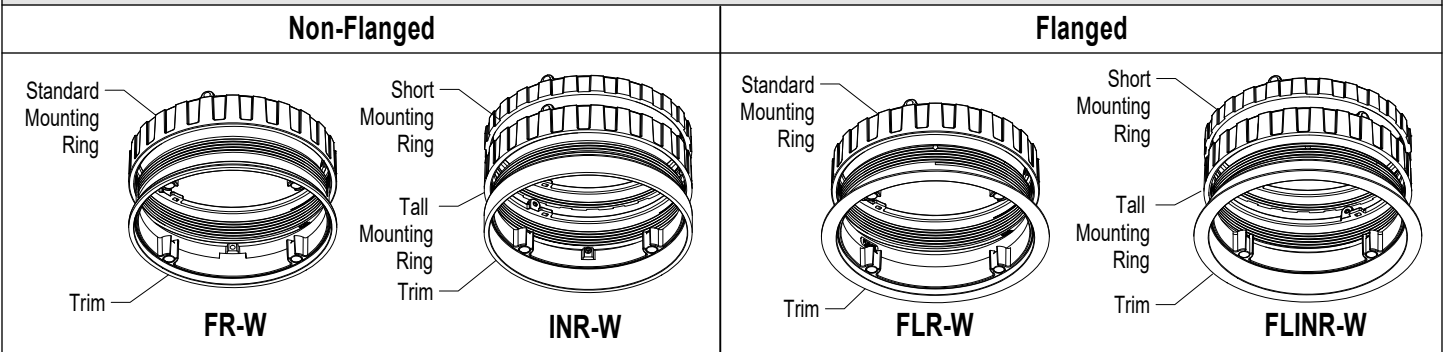


FIG 1.1 Installing Hanger Bar & Hanger Bracket Set

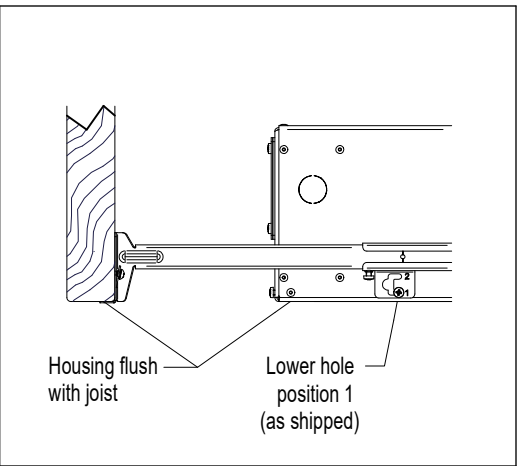


FIG 1.2 Hole Position 1 Housing Location

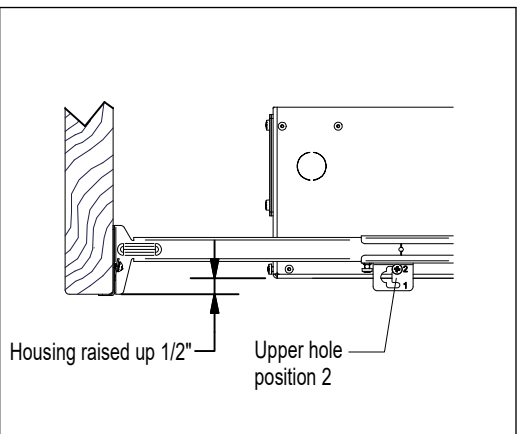


FIG 1.3 Hole Position 2 Housing Location



Round Trim Cutout Chart-Wood/Stone Ceilings

STEP 2 Accurately measure cutout location for housing aperture centers & mark centers in ceiling board. Cutout location accuracy is critical, always double check measurements before cutting. Cut openings in ceiling board as dimensioned below.

⚠ Important: Cutout location accuracy is critical. Always double check measurements before cutting.

Round Trim Models				
NON-FLANGED		FLANGED		
TRIM TYPE				
	FR-W	INR-W	FLR-W	FLINR-W
<p>IMPORTANT- For Non-Flanged trims only: The cutout edges will be exposed after trim installation & must be sharp & clean.</p>				

1 LAMP		2 LAMP	
3 LAMP		4 LAMP	
4 LAMP-QUAD		<div style="border: 1px solid black; padding: 10px; width: fit-content; margin: 0 auto;"> <p>All Round Cutout tolerances: FR-W / INR-W $\pm 1/32$" FLR-W / FLINR-W $+1/8$"-$1/32$" CTR to CTR $\pm 1/32$"</p> </div>	



Round Trim Kits For Wood/Stone Ceiling

- STEP 3** To reduce possibility of light leak, apply round & rectangular Stickers over unused holes & slots around each housing aperture as shown (prior to installing ceiling) - FIG 3.1.
- STEP 4** If required, paint Trim & Trim Plate (see note in FIG 3.3).
- STEP 5** Insert Mounting Ring lip fully into Housing & fasten with 3x Set Screws using allen key supplied - **Do Not overtighten**. Mounting Ring can be installed with or without ceiling in place - FIG 3.2.
- Note:** After Trim installation (FIG 3.3) the Mounting Ring may need to be rotated to align the Trim - See Page 4, FIG 4.1, 4.2 & 4.3.
- STEP 6** Thread Trim into Mounting Ring. For FR-W & INR-W versions, adjust height to be level with ceiling. For FLR-W & FLINR-W versions, flange must seat flush to ceiling - FIG 3.3 & FIG 3.5.
- STEP 7** Lock Trim height with Set Screw - FIG 3.4.
- STEP 8** Attach Trim Plate Safety Cable to Mounting Ring - FIG 3.3.

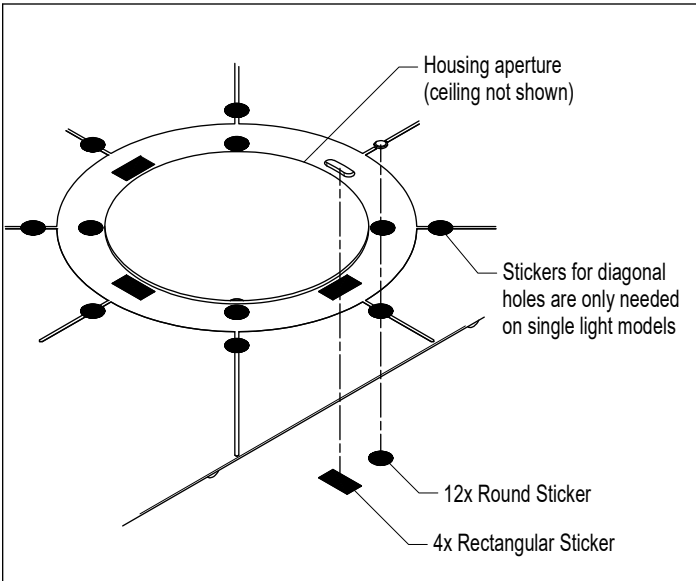


FIG 3.1 Install Housing Stickers

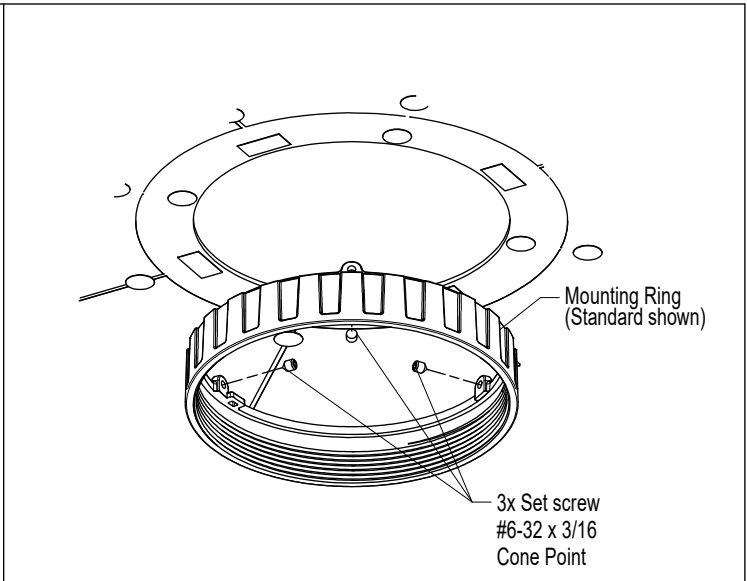


FIG 3.2 Install Mounting Ring

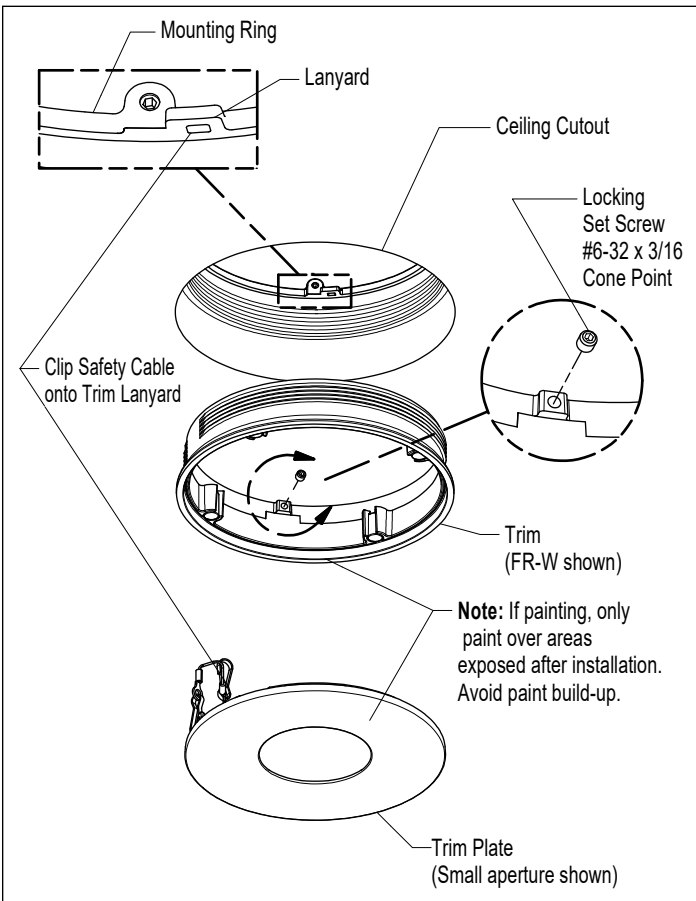


FIG 3.3 Install Trim & Trim Plate

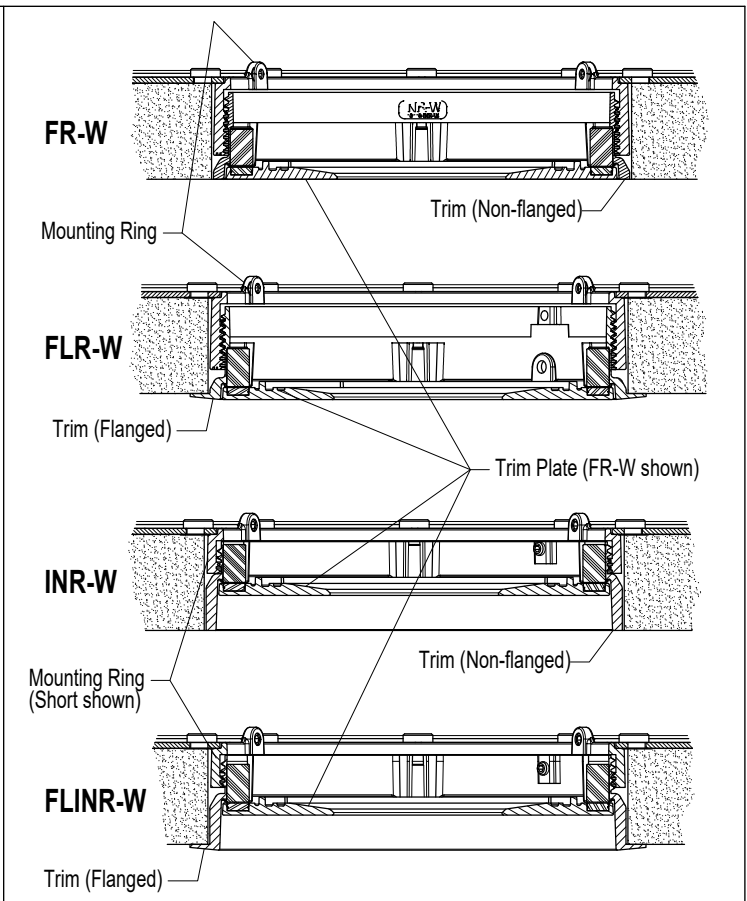


FIG 3.5 Ceiling Section Views

Round Trim Adjustment-Wood/Stone Ceiling

STEP 9 Adjust Trim to correct height - FIG 4.1.

STEP 10 Adjust Trim orientation so Magnets are in line with housing (or nearest wall). After locking Trim height, loosen 3x Mounting Ring Set Screws slightly & rotate Mounting Ring so Trim magnets are oriented inline with nearest wall or housing lines as shown in FIG 4.3.

Re-tighten 3x Mounting Ring Set Screws -Do Not Overtighten-FIG 4.1

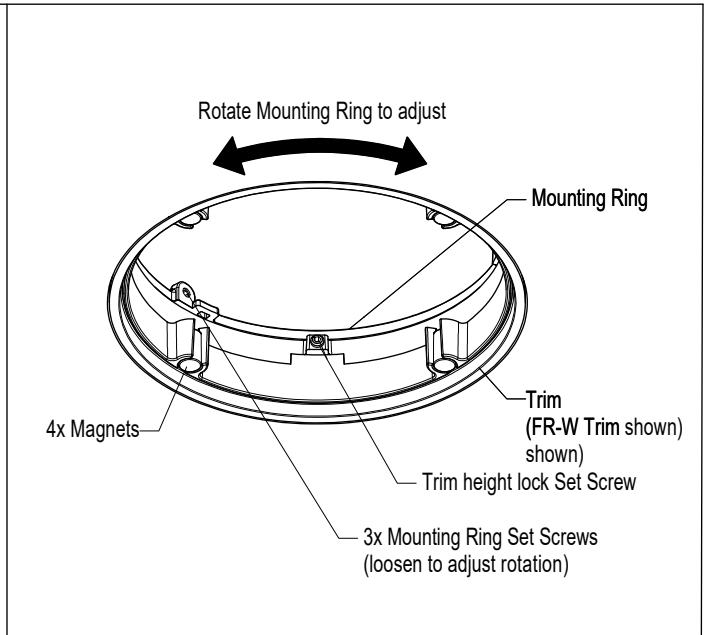
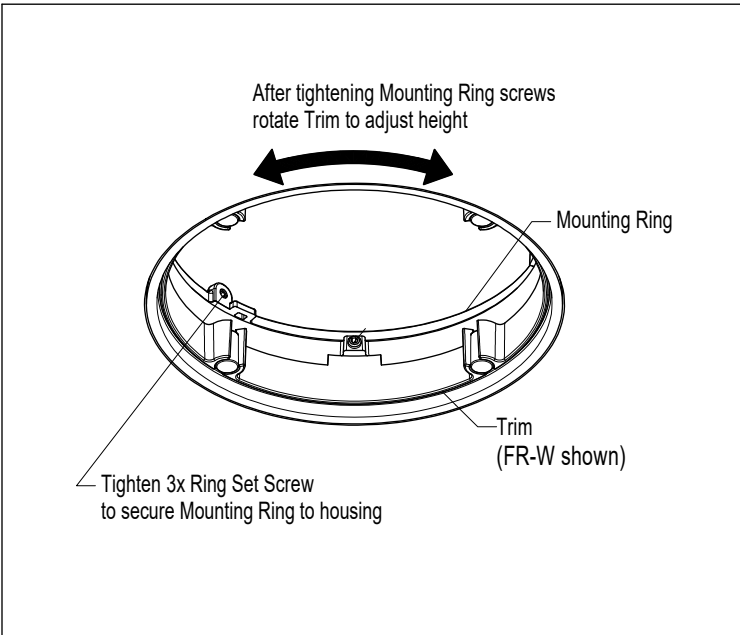


FIG 4.1 Adjust Trim Height

FIG 4.2 Adjust Trim Kit Orientation

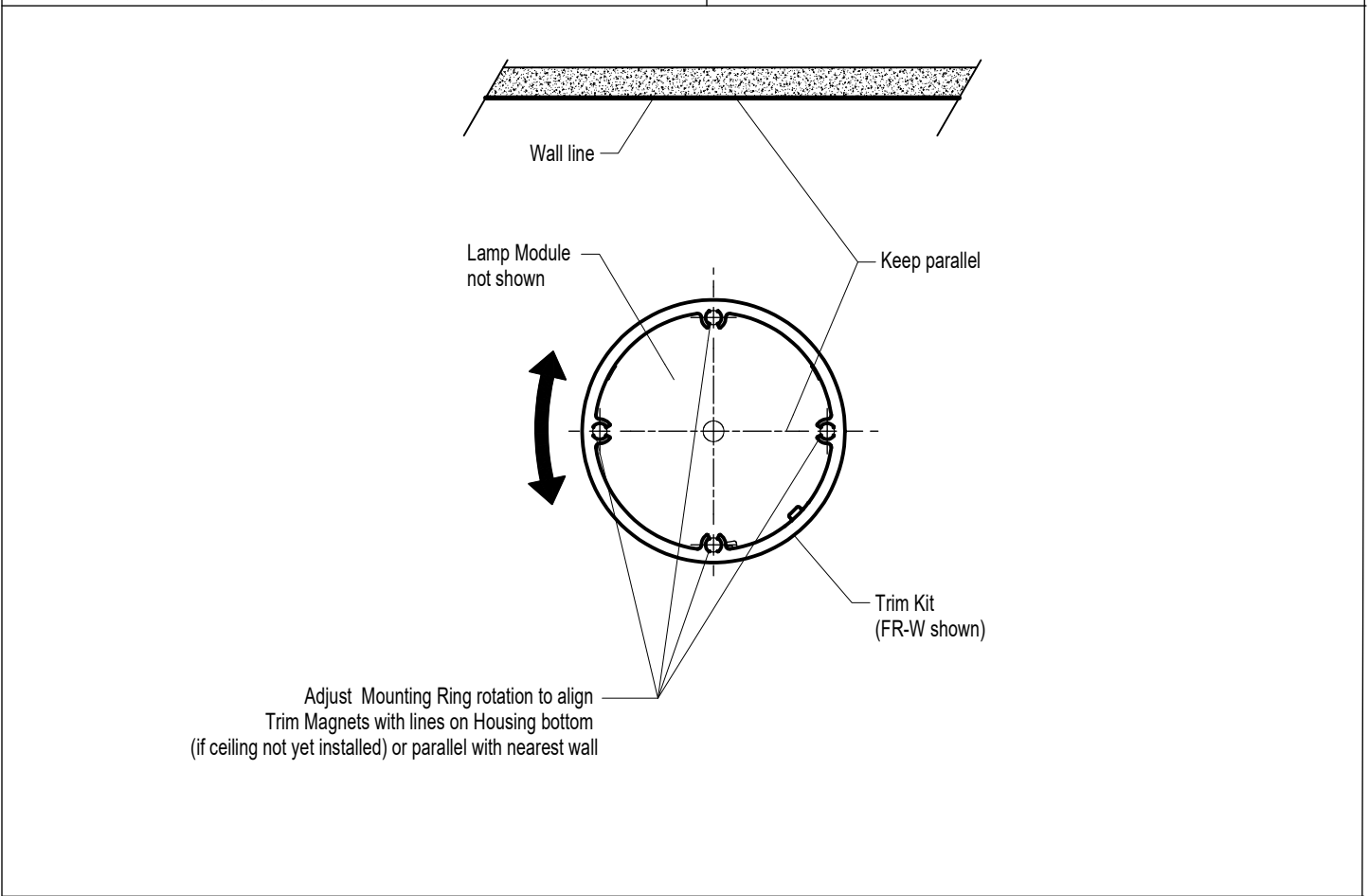


FIG 4.3 Trim Kit Alignment (Plan view shown)