


TRIM: INR-P - INSET SERIES™

4" TRIM, 1 3/4" APERTURE FOR PLASTER/SHEETROCK CEILING APPLICATIONS


Project Name	
Date	Type
Prepared By	
Comments	
Catalog #	INR - P - 1 - /



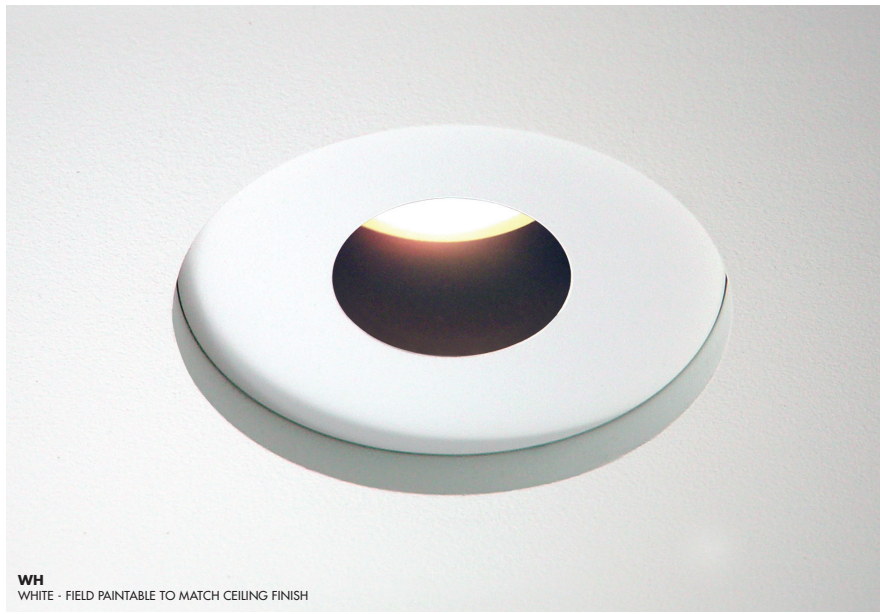
526 Portal Street
Cotati, CA 94931
USA
P 707.794.0888
F 707.795.4379
www.8lighting.com

All No. 8 Lighting 800 Series trims are UL/CSA listed and CE Certified. No. 8 Lighting trims and lamp modules are protected by one or more U.S. Patents. No. 8 Lighting reserves the right to change details of design, materials, and finish.

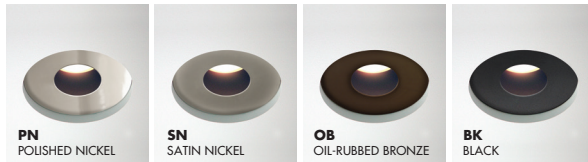
© 2020 No. 8 Lighting
Doc # 91330-12.0



PRODUCT FEATURES



WH
WHITE - FIELD PAINTABLE TO MATCH CEILING FINISH



PN
POLISHED NICKEL

SN
SATIN NICKEL

OB
OIL-RUBBED BRONZE


BK
BLACK

Trim Assembly

- **INR-P** trim recesses 1/2" above ceiling surface. Designed for sheetrock ceilings with painted or integral color drywall compound/plaster finishes
- Optimized for use with type **A**, **J2/J2S**, and **K2S** lamp modules. Not recommended for use with **B** or **M2/M2S** lamp modules.
- Accommodates 1/2" - 1 1/2" thick ceilings. Note: ceiling thicknesses less than 1" require additional 1/2" clearance above housing.
- Die-cast from Zinc alloy for maximum strength, stability, and corrosion resistance.
- Minimal 1 3/4" aperture.
- Unique magnetic trim plate is removable without marring finishes.
- Overlapping and self-leveling plaster ring sandwiches against sheetrock for a strong and fail-proof installation.
- Works with all Number Eight 800 Series housings.
- Available with optional factory installed lenses for harsh environment and beam modification applications. **All lens options are factory installed into trim plates and are UL WET LISTED and IP54 Rated for use in DRY, DAMP, or WET locations (covered ceiling applications only). Not for use in steam applications.**
- Available in many designer finishes including: White, Polished Nickel**, Satin Nickel**, Oil-Rubbed Bronze**, and Black**.

****Lot variations in specialty finishes may occur. Ordering ALL trim kits at the same time is recommended to minimize variations in finishes.**

PRODUCT SPECIFIER/PRODUCT ORDER NUMBER

INR-R
Trim INSET 1/2" above finished ceiling
4" ROUND flangeless w/ 1 3/4" square aperture
Note: One-piece die-cast assembly creates 1/2" inset above ceiling.

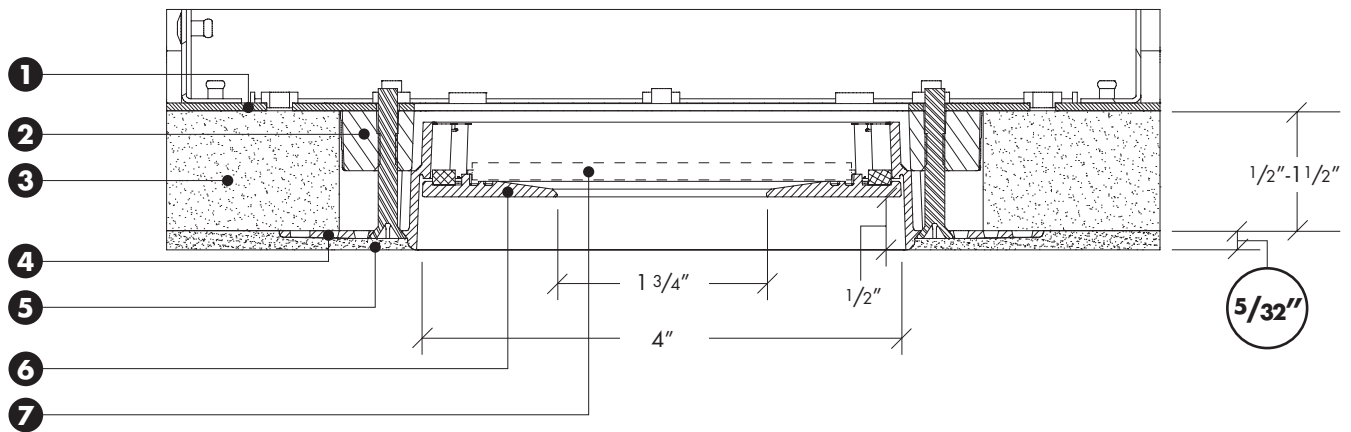
P
PLASTER/SHEETROCK ceiling applications (1/2" minimum - 1 1/4" maximum sheetrock thickness).

1
For 5/32" thick drywall compound or plaster finishes

WH
WHITE - Field paintable to match ceiling finish
PN
POLISHED NICKEL*
SN
SATIN NICKEL*
OB
OIL-RUBBED BRONZE*
BK
BLACK*
*Specialty finish. Additional lead time required.

SF
SOFT FOCUS LENS installed in trim plate*
CL
CLEAR LENS installed in trim plate*
WW
WALL WASH lens installed in trim plate*
*UL Wet listed and IP54 Rated

TYPE P1 – TRIM ASSEMBLY CROSS SECTION DETAIL – FOR 5/32" CEILING FINISH



- 1) Housing**
- 2) Frame** – May be installed before or after sheetrock.
- 3) Sheetrock** – Accommodates all thickness from 1/2" to 1 1/2". Note: ceiling thicknesses less than 1" require additional 1/2" clearance above housing.
- 4) Inset Mud Ring (type P1 for 5/32" ceiling finish)** – Sandwiches against ceiling material.
- 5) Ceiling Finish (drywall compound or plaster)** 5/32".
- 6) Trim Plate** – Features unique magnetic attachments. Mounts 1/2" above finished ceiling.
- 7) Lens (optional)** – Factory installed into trim plate. UL WET LISTED and IP54 Rated for use in DRY, DAMP, or WET locations (covered ceiling applications only). Not for use in steam applications.

Note: Cross sections are for illustration purposes only. Refer to P-Series trim installation instructions for complete installation details.