


TRIM: FR-LG-W - SEAMLESS SERIES™/ROUND

4" TRIM, 2 3/4" APERTURE FOR WOOD/STONE CEILING APPLICATIONS


Project Name	
Date	Type
Prepared By	
Comments	
Catalog #	FR-LG - W - /



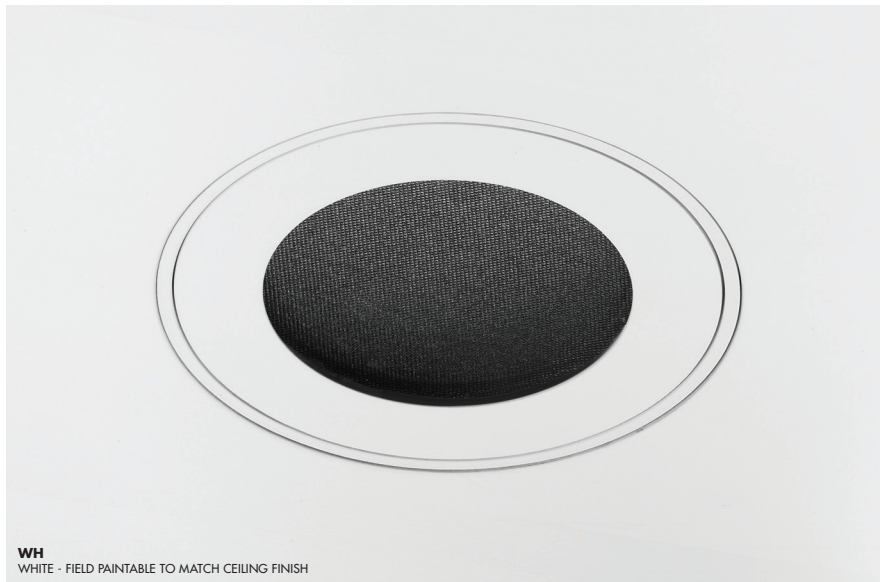
No. 8
eight
LIGHTING

526 Portal Street
Cotati, CA 94931
USA
P 707.794.0888
F 707.795.4379
www.8lighting.com

All No. 8 Lighting 800 Series trims are UL/CSA listed and CE Certified. No. 8 Lighting trims and lamp modules are protected by one or more U.S. Patents. No. 8 Lighting reserves the right to change details of design, materials, and finish.
© 2020 No. 8 Lighting
Doc # 91314-12.0



PRODUCT FEATURES



WH
WHITE - FIELD PAINTABLE TO MATCH CEILING FINISH

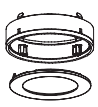


Trim Assembly

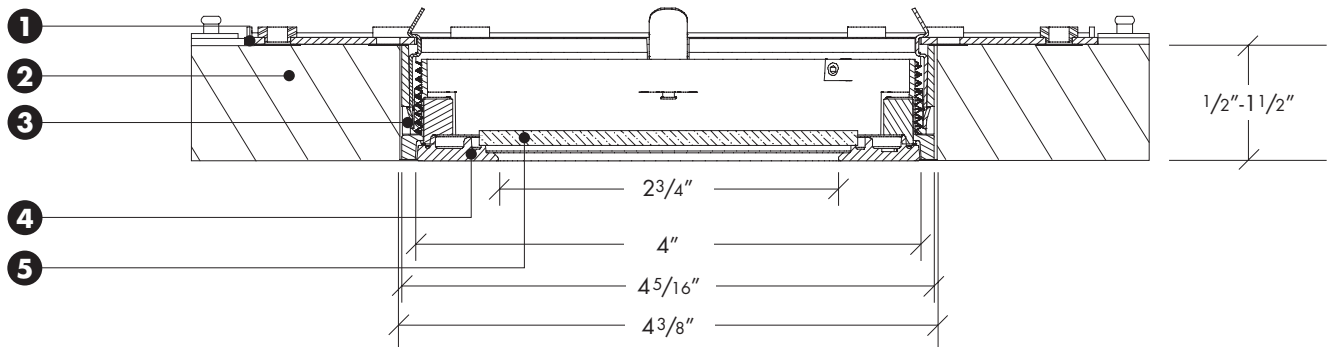
- **FR-LG-W** trim designed for flush installation into wood/stone ceilings.
- 4" trim plate with minimal 2 3/4" aperture installs flush with the finished ceiling.
- Field adjustable to accommodate ceiling thickness between 1/2" - 1 1/2".
- Die-cast from Zinc alloy for maximum strength, stability, and corrosion resistance.
- Unique magnetic trim plate is removable without marring finishes.
- 4 5/16" wide trim installs flush within 4 3/8" ceiling cut out.
- Can be installed before or after ceiling installation.
- Works with all Number Eight 800 Series housings.
- Includes Solite soft focus lens standard. Available with other lens options or without lens. **All lens options are factory installed into trim plates and are UL WET LISTED and IP54 Rated for use in DRY, DAMP, or WET locations (covered ceiling applications only). Not for use in steam applications.**
- Available in many designer finishes including: White, Polished Nickel**, Satin Nickel**, Oil-Rubbed Bronze**, and Black**.

****Lot variations in specialty finishes may occur. Ordering ALL trim kits at the same time is recommended to minimize variations in finishes.**

PRODUCT SPECIFIER/PRODUCT ORDER NUMBER

FR-LG	-	W	-	/		
TRIM ASSEMBLY	+	TRIM APPLICATION	+	TRIM FINISH	/	LENS OPTIONS
 <p>FR-LG Trim FLUSH w/ finished ceiling 4" ROUND flangeless w/ 2 3/4" round aperture Solite soft focus lens installed standard</p>	<p>W WOOD/STONE ceiling applications (1/2" min - 1 1/2" max)</p>	<p>WH WHITE - Field paintable to match ceiling finish</p> <p>PN POLISHED NICKEL*</p> <p>SN SATIN NICKEL*</p> <p>OB OIL-RUBBED BRONZE*</p> <p>BK BLACK*</p> <p><small>*Specialty finish. Additional lead time required.</small></p>	<p>NL NO LENS installed in trim plate</p> <p>CL CLEAR LENS installed in trim plate*</p> <p>WW WALL WASH lens installed in trim plate*</p> <p><small>*UL Wet listed and IP54 Rated</small></p>			

TRIM ASSEMBLY CROSS SECTION DETAIL



- 1) Housing**
- 2) Wood/Stone Ceiling Material** – Accommodates all thickness from $1/2''$ to $1 1/2''$.
- 3) Flush Trim Kit** – $4 5/16''$ wide trim installs flush within $4 3/8''$ ceiling cut out. Height and rotation may be adjusted before or after ceiling installation.
- 4) Trim Plate** – Features unique magnetic attachments. Mounts flush to finished ceiling.
- 5) Lens** – Factory installed into trim plate. UL WET LISTED and IP54 Rated for use in DRY, DAMP, or WET locations (covered ceiling applications only). Not for use in steam applications.

Note: Cross sections are for illustration purposes only. Refer to W-Series trim installation instructions for complete installation details.