


# TRIM: INS-LG-P - INSET SERIES™


4" TRIM, 2 3/4" APERTURE FOR PLASTER/SHEETROCK CEILING APPLICATIONS

Project Name	
Date	Type
Prepared By	
Comments	
Catalog #	<b>INS - LG - P - 1 - /</b>

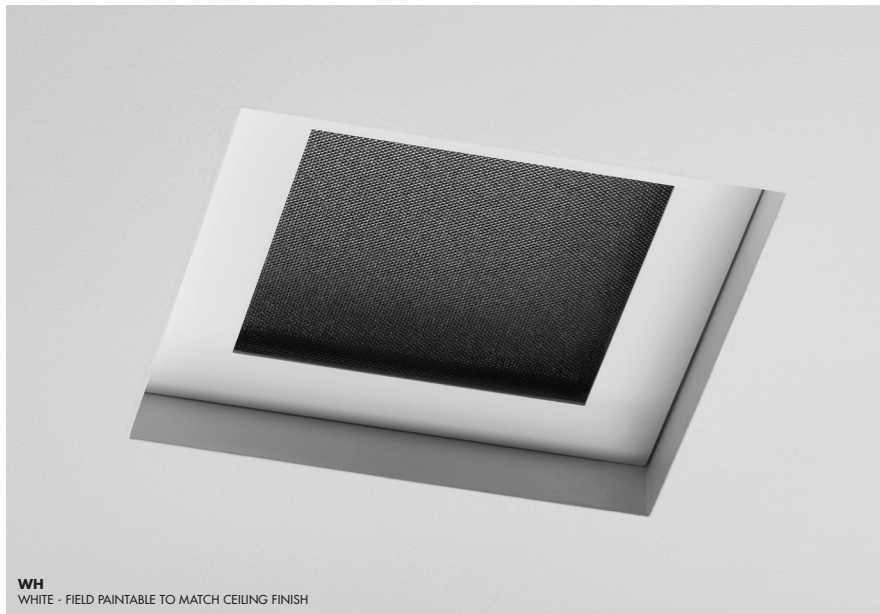


526 Portal Street  
Cotati, CA 94931  
USA  
P 707.794.0888  
F 707.795.4379  
www.8lighting.com

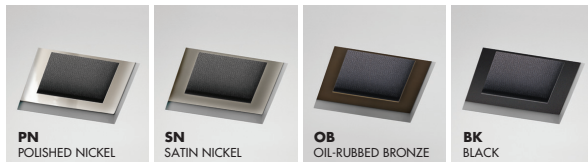
All No. 8 Lighting 800 Series trims are UL/CSA listed and CE Certified. No. 8 Lighting trims and lamp modules are protected by one or more U.S. Patents. No. 8 Lighting reserves the right to change details of design, materials, and finish.  
© 2020 No. 8 Lighting  
Doc # 91312-12.0



## PRODUCT FEATURES



**WH**  
WHITE - FIELD PAINTABLE TO MATCH CEILING FINISH



**PN**  
POLISHED NICKEL

**SN**  
SATIN NICKEL

**OB**  
OIL-RUBBED BRONZE

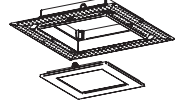
**BK**  
BLACK

### Trim Assembly

- **INS-LG-P** trim recesses trim plate 1/2" above ceiling surface. Designed for sheetrock ceilings with painted or integral color drywall compound/plaster finishes.
- Optimized for use with type **A**, **J2/J2S**, and **K2S** lamp modules. Not recommended for use with **B** or **M2/M2S** lamp modules.
- Accommodates 1/2" - 1 1/2" thick ceilings. Note: ceiling thicknesses less than 1" require additional 1/2" clearance above housing.
- Die-cast from Zinc alloy for maximum strength, stability, and corrosion resistance.
- Minimal 2 3/4" aperture.
- Unique magnetic trim plate is removable without marring finishes.
- Overlapping and self-leveling plaster ring sandwiches against sheetrock for a strong and fail-proof installation.
- Features field adjustable +/- 5° rotation for squaring trim to other fixtures or nearby walls.
- Can be installed before or after sheetrock installation.
- Works with all Number Eight 800 Series housings.
- Includes Solite soft focus lens standard. Available with other lens options or without lens. **All lens options are factory installed into trim plates and are UL WET LISTED and IP54 Rated for use in DRY, DAMP, or WET locations (covered ceiling applications only). Not for use in steam applications.**
- Available in many designer finishes including: White, Polished Nickel\*\*, Satin Nickel\*\*, Oil-Rubbed Bronze\*\*, and Black\*\*.

**\*\*Lot variations in specialty finishes may occur. Ordering ALL trim kits at the same time is recommended to minimize variations in finishes.**

## PRODUCT SPECIFIER/PRODUCT ORDER NUMBER

**INS-LG**  
Trim INSET 1/2" above finished ceiling  
4" SQUARE flangeless w/ 2 3/4" square aperture  
**Solite soft focus lens installed standard**  
Note: One-piece die-cast assembly creates 1/2" inset above ceiling.

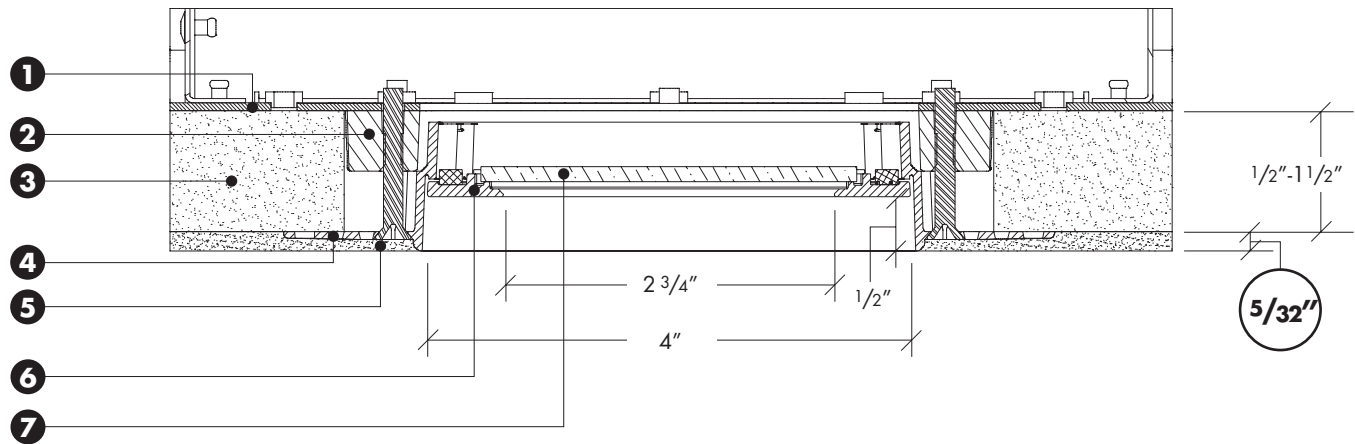
**P**  
PLASTER/SHEETROCK ceiling applications (1/2" minimum - 1 1/4" maximum sheetrock thickness).

**1**  
For 5/32" thick drywall compound or plaster finishes

**WH**  
WHITE - Field paintable to match ceiling finish  
**PN**  
POLISHED NICKEL\*  
**SN**  
SATIN NICKEL\*  
**OB**  
OIL-RUBBED BRONZE\*  
**BK**  
BLACK\*  
\*Specialty finish. Additional lead time required.

**NL**  
NO LENS installed in trim plate  
**CL**  
CLEAR LENS installed in trim plate\*  
**WW**  
WALL WASH lens installed in trim plate\*  
\*UL Wet listed and IP54 Rated

TYPE P1 – TRIM ASSEMBLY CROSS SECTION DETAIL – FOR 5/32" CEILING FINISH



- 1) Housing**
- 2) Frame** – May be installed before or after sheetrock. Square frame can be rotated 45° for diagonal appearance.
- 3) Sheetrock** – Accommodates all thickness from 1/2" to 1 1/2". Note: ceiling thicknesses less than 1" require additional 1/2" clearance above housing.
- 4) Inset Mud Ring (type P1 for 5/32" ceiling finish)** – Sandwiches against ceiling material. Square inset mud ring may be rotated +/- 5° after sheetrock installation (prior to plastering).
- 5) Ceiling Finish (drywall compound or plaster) 5/32"**.
- 6) Trim Plate** – Features unique magnetic attachments. Mounts 1/2" above finished ceiling.
- 7) Lens** – Factory installed into trim plate. UL WET LISTED and IP54 Rated for use in DRY, DAMP, or WET locations (covered ceiling applications only). Not for use in steam applications.

**Note:** Cross sections are for illustration purposes only. Refer to P-Series trim installation instructions for complete installation details.