


# TRIM: **FLS-W** - SEAMLESS SERIES™ / FLANGED SQUARE

4" TRIM, 1 3/4" APERTURE FOR WOOD/STONE/ACOUSTIC TILE/SHEETROCK CEILING APPLICATIONS

Project Name	
Date	Type
Prepared By	
Comments	
Catalog #	<b>FLS - W -</b> /




**No. 8**  
**eight**  
LIGHTING

526 Portal Street  
Cotati, CA 94931  
USA  
P 707.794.0888  
F 707.795.4379  
www.8lighting.com

All No. 8 Lighting 800 Series trims are UL/CSA listed and CE Certified. No. 8 Lighting trims and lamp modules are protected by one or more U.S. Patents. No. 8 Lighting reserves the right to change details of design, materials, and finish.

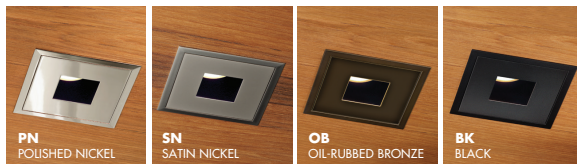
© 2020 No. 8 Lighting  
Doc # 91307-12.0



## PRODUCT FEATURES



**WH**  
WHITE - FIELD PAINTABLE TO MATCH CEILING FINISH

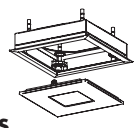


### Trim Assembly

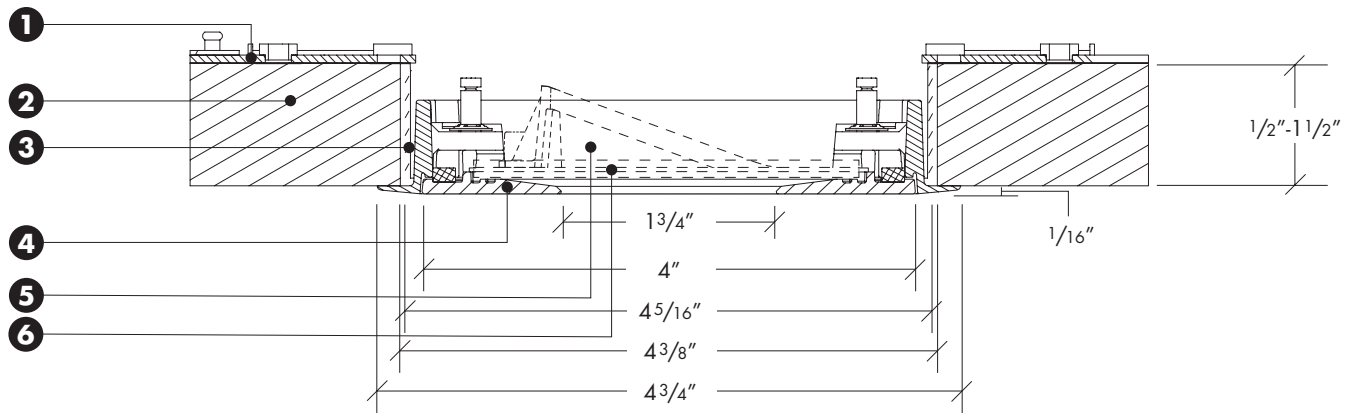
- **FLS-W** flanged trim designed for wood, stone, acoustic tile, or sheetrock ceilings.
- 4" trim plate with minimal 1 3/4" aperture installs flush with the finished ceiling.
- Field adjustable to accommodate ceiling thickness between 1/2" - 1 1/2".
- Die-cast from Zinc alloy for maximum strength, stability, and corrosion resistance.
- Unique magnetic trim plate is removable without marring finishes.
- 4 3/4" wide flanged trim overlaps 4 3/8" ceiling cutout. Height and rotation can be adjusted before or after ceiling installation.
- Features +/- 3° rotational adjustment for squaring trim to other fixtures or nearby walls.
- Works with all Number Eight 800 Series housings.
- Available with optional factory installed lenses for harsh environment and beam modification applications. **All lens options are factory installed into trim plates and are UL WET LISTED and IP54 Rated for use in DRY, DAMP, or WET locations (covered ceiling applications only). Not for use in steam applications.**
- Available in many designer finishes including: White, Polished Nickel\*\*, Satin Nickel\*\*, Oil-Rubbed Bronze\*\*, and Black\*\*.

**\*\*Lot variations in specialty finishes may occur. Ordering ALL trim kits at the same time is recommended to minimize variations in finishes.**

## PRODUCT SPECIFIER/PRODUCT ORDER NUMBER

<b>FLS</b>	-	<b>W</b>	-	/		
TRIM ASSEMBLY	+	TRIM APPLICATION	+	TRIM FINISH	/	LENS OPTIONS
 <p><b>FLS</b> 4" SQUARE trim plate w/ 1 3/4" aperture installs flush with 4 3/4" FLANGED trim</p>	<p><b>W</b> WOOD/STONE/ACOUSTIC TILE/SHEETROCK ceiling applications (1/2" min - 1 1/2" max)</p>	<p><b>WH</b> WHITE - Field paintable to match ceiling finish</p> <p><b>PN</b> POLISHED NICKEL*</p> <p><b>SN</b> SATIN NICKEL*</p> <p><b>OB</b> OIL-RUBBED BRONZE*</p> <p><b>BK</b> BLACK*</p> <p>*Specialty finish. Additional lead time required.</p>	<p><b>CL</b> CLEAR lens*</p> <p><b>SF</b> SOFT FOCUS lens*</p> <p><b>WW</b> WALL WASH lens* (for use with INCANDESCENT lamp module A).</p> <p><b>WW-8</b> WALL WASH accessory* (for use with LED lamp modules J, J2, + J2S)</p> <p>*UL Wet listed and IP54 Rated</p>			

## TRIM ASSEMBLY CROSS SECTION DETAIL



- 1) Housing**
- 2) Wood/Stone/Acoustic Tile Ceiling Material** – Accommodates all thickness from 1/2" to 1 1/2".
- 3) Flanged Flush Trim Kit** – 4 3/4" wide flanged trim overlaps 4 3/8" ceiling cut out. Height and rotation can be adjusted before or after ceiling installation.
- 4) Trim Plate** – Features unique magnetic attachments. Mounts flush to finished ceiling.
- 5) WW-8 Wall Wash Accessory (optional)** – For use with Model J, J2, or J2S LED lamp modules. - Factory installed into trim plate. UL WET LISTED and IP54 Rated for use in DRY, DAMP, or WET locations (covered ceiling applications only). Not for use in steam applications.
- 6) Lens (optional)** – Factory installed into trim plate. UL WET LISTED and IP54 Rated for use in DRY, DAMP, or WET locations (covered ceiling applications only). Not for use in steam applications.

**Note:** Cross sections are for illustration purposes only. Refer to W-Series trim installation instructions for complete installation details.