


TRIM: - SEAMLESS SERIES™/SQUARE

4" TRIM, 1 3/4" APERTURE FOR PLASTER/SHEETROCK CEILING APPLICATIONS


Project Name	
Date	Type
Prepared By	
Comments	
Catalog #	FS - P - - /



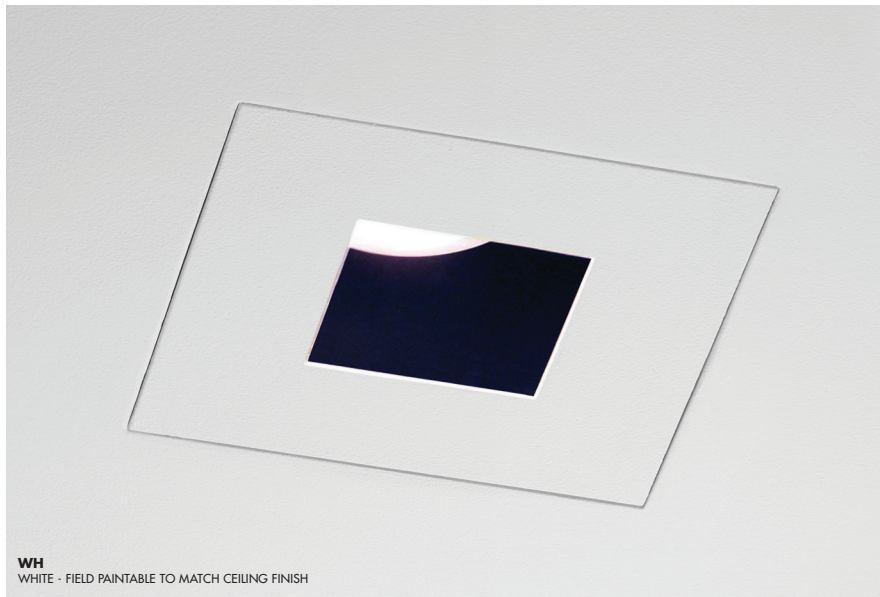
No. 8
eight
LIGHTING

526 Portal Street
Cotati, CA 94931
USA
P 707.794.0888
F 707.795.4379
www.8lighting.com

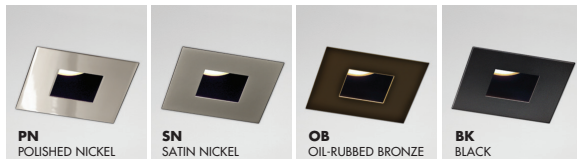
All No. 8 Lighting 800 Series trims are UL/CSA listed and CE Certified. No. 8 Lighting trims and lamp modules are protected by one or more U.S. Patents. No. 8 Lighting reserves the right to change details of design, materials, and finish.
© 2020 No. 8 Lighting
Doc # 91301-12.0



PRODUCT FEATURES



WH
WHITE - FIELD PAINTABLE TO MATCH CEILING FINISH

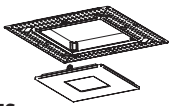


Trim Assembly

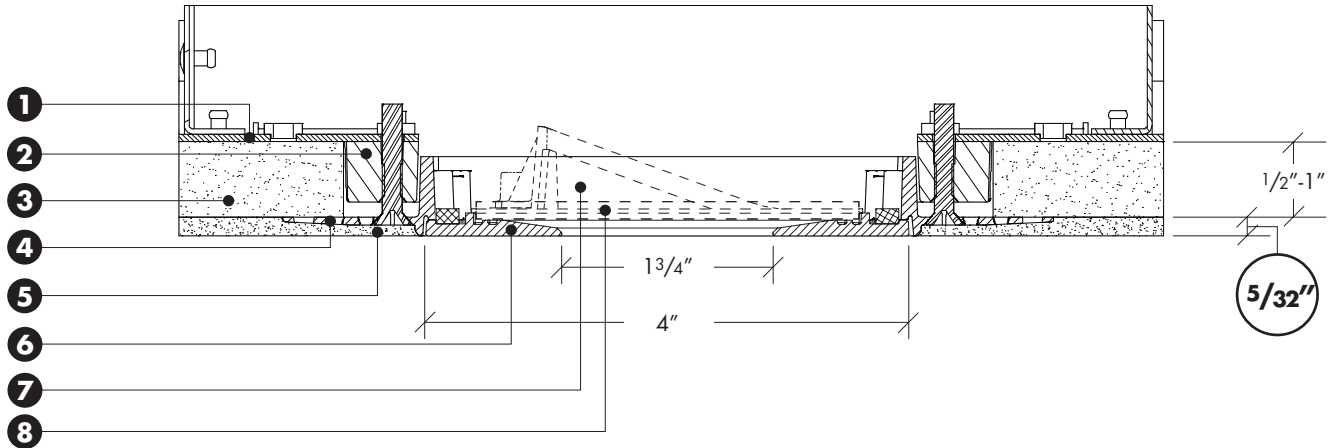
- **FS-P** trim designed for flush installation into sheetrock ceilings with painted or integral color drywall compound/plaster finishes.
- Available in two thicknesses to accommodate different ceiling finishing systems. Specify **P-1** for standard 5/32" thick finishes and **P-2** for 5/16" thick finishes.
- Field adjustable to accommodate sheetrock thickness between 1/2" - 1".
- Die-cast from Zinc alloy for maximum strength, stability, and corrosion resistance.
- Minimal 1 3/4" aperture.
- Unique magnetic trim plate is removable without marring finishes.
- Overlapping and self-leveling plaster ring sandwiches against sheetrock for a strong and fail-proof installation.
- Features field adjustable +/- 5° rotation for squaring trim to other fixtures or nearby walls.
- Works with all Number Eight 800 Series housings.
- Available with optional factory installed lenses for harsh environment and beam modification applications. **All lens options are factory installed into trim plates and are UL WET LISTED and IP54 Rated for use in DRY, DAMP, or WET locations (covered ceiling applications only). Not for use in steam applications.**
- Available in many designer finishes including: White, Polished Nickel**, Satin Nickel**, Oil-Rubbed Bronze**, and Black**.

****Lot variations in specialty finishes may occur. Ordering ALL trim kits at the same time is recommended to minimize variations in finishes.**

PRODUCT SPECIFIER/PRODUCT ORDER NUMBER

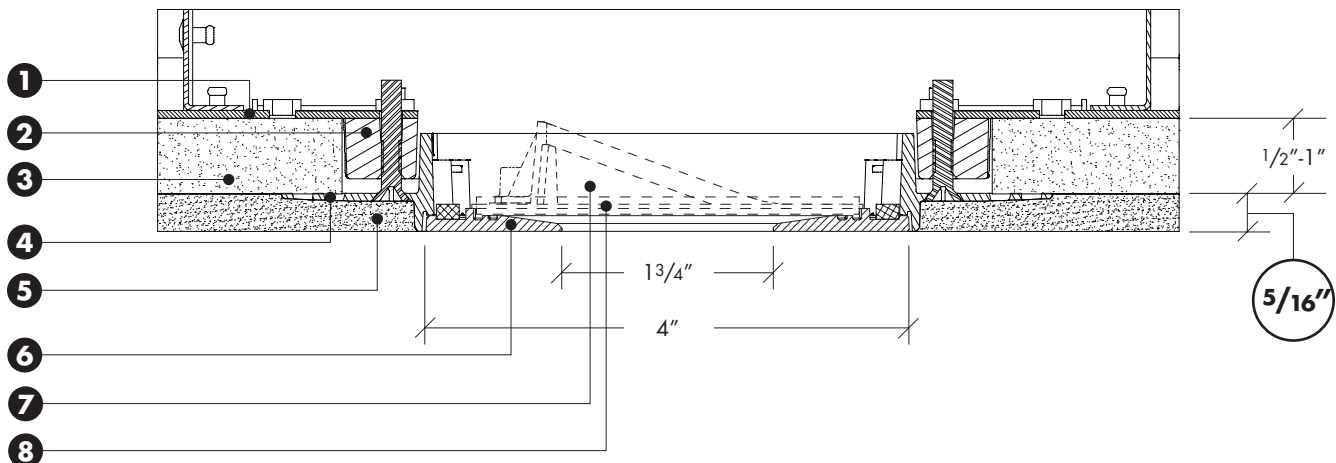
FS	-	P	-		/		
TRIM ASSEMBLY	+	TRIM APPLICATION	+	FINISH THICKNESS	+	TRIM FINISH / LENS OPTIONS	
 <p>FS Trim FLUSH w/ finished ceiling 4" SQUARE flangeless w/ 1 3/4" square aperture</p>		<p>P PLASTER/SHEETROCK ceiling applications (1/2" minimum - 1" maximum sheetrock thickness).</p>		<p>1 For 5/32" thick drywall compound or plaster finishes</p> <p>2 For 5/16" thick drywall compound or plaster finishes</p>		<p>WH WHITE - Field paintable to match ceiling finish</p> <p>PN POLISHED NICKEL*</p> <p>SN SATIN NICKEL*</p> <p>OB OIL-RUBBED BRONZE*</p> <p>BK BLACK*</p> <p>*Specialty finish. Additional lead time required.</p>	<p>CL CLEAR lens*</p> <p>SF SOFT FOCUS lens*</p> <p>WW WALL WASH lens* (for use with INCANDESCENT lamp module A).</p> <p>WW-8 WALL WASH accessory* (for use with LED lamp modules J, J2, + J2S)</p> <p>*UL Wet listed and IP54 Rated</p>

TYPE P1 – TRIM ASSEMBLY CROSS SECTION DETAIL – FOR 5/32" CEILING FINISH



- 1) Housing
- 2) Frame – May be installed before or after sheetrock. Square frame can be rotated 45° for diagonal appearance.
- 3) Sheetrock – Accommodates all thickness from 1/2" to 1".
- 4) Flush Mud Ring (type P1 for 5/32" ceiling finish) – Sandwiches against ceiling material. Square flush mud ring may be rotated +/- 5° after sheetrock installation (prior to plastering).
- 5) Ceiling Finish (drywall compound or plaster) 5/32".
- 6) Trim Plate – Features unique magnetic attachments. Mounts flush to finished ceiling.
- 7) WW-8 Wall Wash Accessory (optional) – For use with Model J, J2, or J2S LED lamp modules.- Factory installed into trim plate. UL WET LISTED and IP54 Rated for use in DRY, DAMP, or WET locations (covered ceiling applications only). Not for use in steam applications.
- 8) Lens (optional) – Factory installed into trim plate. UL WET LISTED and IP54 Rated for use in DRY, DAMP, or WET locations (covered ceiling applications only). Not for use in steam applications.

TYPE P2 – TRIM ASSEMBLY CROSS SECTION DETAIL – FOR 5/16" CEILING FINISH



- 1) Housing
- 2) Frame – May be installed before or after sheetrock. Square frame can be rotated 45° for diagonal appearance.
- 3) Sheetrock – Accommodates all thickness from 1/2" to 1".
- 4) Flush Mud Ring (type P2 for 5/16" ceiling finish) – Sandwiches against ceiling material. Square flush mud ring may be rotated +/- 5° after sheetrock installation (prior to plastering).
- 5) Ceiling Finish (drywall compound or plaster) 5/16".
- 6) Trim Plate – Features unique magnetic attachments. Mounts flush to finished ceiling.
- 7) WW-8 Wall Wash Accessory (optional) – For use with Model J, J2, or J2S LED lamp modules.- Factory installed into trim plate. UL WET LISTED and IP54 Rated for use in DRY, DAMP, or WET locations (covered ceiling applications only). Not for use in steam applications.
- 8) Lens (optional) – Factory installed into trim plate. UL WET LISTED and IP54 Rated for use in DRY, DAMP, or WET locations (covered ceiling applications only). Not for use in steam applications.

Note: Cross sections are for illustration purposes only. Refer to P-Series trim installation instructions for complete installation details.