


TRIM: INR-LG-P - INSET SERIES™

4" TRIM, 2 3/4" APERTURE FOR PLASTER/SHEETROCK CEILING APPLICATIONS

Project Name	
Date	Type
Prepared By	
Comments	
Catalog #	INR - LG - P - 1 - /



526 Portal Street
Cotati, CA 94931
USA
P 707.794.0888
F 707.795.4379
www.8lighting.com

All No. 8 Lighting fixtures and components are UL/CSA listed. U.S. Patents Pending on the Seamless™ and Inset™ Series trims as well as the type A Lamp Module. No. 8 Lighting reserves the right to change details of design, materials, and finish.

© 2018 No. 8 Lighting
Doc # 91332-11.3



PRODUCT FEATURES

WH
WHITE - FIELD PAINTABLE TO MATCH CEILING FINISH

Trim Assembly

- **INR-LG-P** trim recesses 1/2" above ceiling surface. Designed for sheetrock ceilings with painted or integral color drywall compound/plaster finishes.
- Optimized for use with 800 Series lamp modules: **A, J2/J2S and K2/K2S**. Not recommended for use with lamp modules: B, L2/L2S, or M2/M2S.
- Accommodates 1/2" - 1 1/2" thick ceilings. Note: ceiling thicknesses less than 1" require additional 1/2" clearance above housing.
- Die-cast from Zinc alloy for maximum strength, stability, and corrosion resistance.
- Minimal 2 3/4" aperture.
- Unique magnetic trim plate is removable without marring finishes.
- Overlapping and self-leveling plaster ring sandwiches against sheetrock for a strong and fail-proof installation.
- Works with all Number Eight 800 Series housings.
- Includes Solite soft focus lens standard. Available with other lens options or without lens. **All lensed trim plates are rated for use in dry, damp, or wet locations (covered ceiling applications only).**
- Available in many designer finishes including: White, Polished Nickel**, Satin Nickel**, Oil-Rubbed Bronze**, and Black**.

****Lot variations in specialty finishes may occur. Ordering ALL trim kits at the same time is recommended to minimize variations in finishes.**

PRODUCT SPECIFIER/PRODUCT ORDER NUMBER

INR-LG	-	P	-	1	-		/	
TRIM ASSEMBLY	+	TRIM APPLICATION	+	FINISH THICKNESS	+	TRIM FINISH	/	LENS OPTIONS

INR-LG
Trim INSET 1/2" above finished ceiling
4" ROUND flangeless w/ 2 3/4" round aperture
Solite soft focus lens installed standard
Note: One-piece die-cast assembly creates 1/2" inset above ceiling.

P
PLASTER/SHEETROCK ceiling applications (1/2" minimum - 1 1/4" maximum sheetrock thickness).

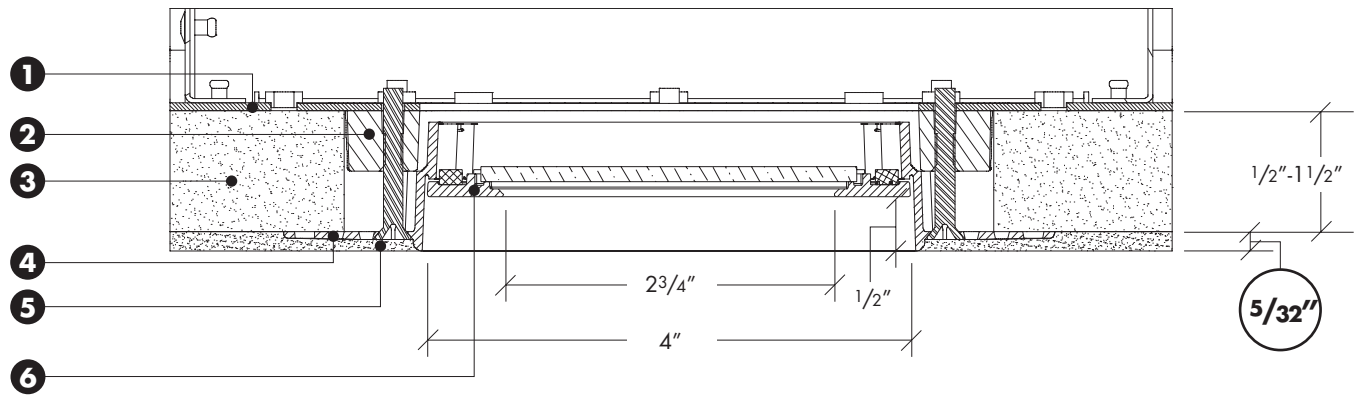
1
For 5/32" thick drywall compound or plaster finishes

WH
WHITE - Field paintable to match ceiling finish
PN
POLISHED NICKEL*
SN
SATIN NICKEL*
OB
OIL-RUBBED BRONZE*
BK
BLACK*
*Specialty finish. Additional lead time required.

NL
NO LENS installed in trim plate
CL
CLEAR LENS installed in trim plate*
WW
WALL WASH lens installed in trim plate*
*Lensed trim plate rated for use in DRY, DAMP, or WET locations (covered ceiling applications only).

91332-11.3 PAGE 1

TYPE P1 – TRIM ASSEMBLY CROSS SECTION DETAIL – FOR $5/32''$ CEILING FINISH



- 1) Housing**
- 2) Frame** – May be installed before or after sheetrock.
- 3) Sheetrock** – Accommodates all thickness from $1/2''$ to $1\ 1/2''$. Note: ceiling thicknesses less than $1''$ require additional $1/2''$ clearance above housing.
- 4) Inset Mud Ring (type P1 for $5/32''$ ceiling finish)** – Sandwiches against ceiling material.
- 5) Ceiling Finish (drywall compound or plaster)** $5/32''$ maximum.
- 6) Trim Plate** – Features unique magnetic attachments. Mounts $1/2''$ above finished ceiling. Includes Solite soft focus lens standard.

Note: Cross sections are for illustration purposes only. Refer to P-Series trim installation instructions for complete installation details.