


TRIM: INS-BV-P - BEVEL SERIES™

4" TRIM, 1 3/4" APERTURE FOR PLASTER/SHEETROCK CEILING APPLICATIONS


Project Name	
Date	Type
Prepared By	
Comments	
Catalog #	INS - BV - P - 1 - /



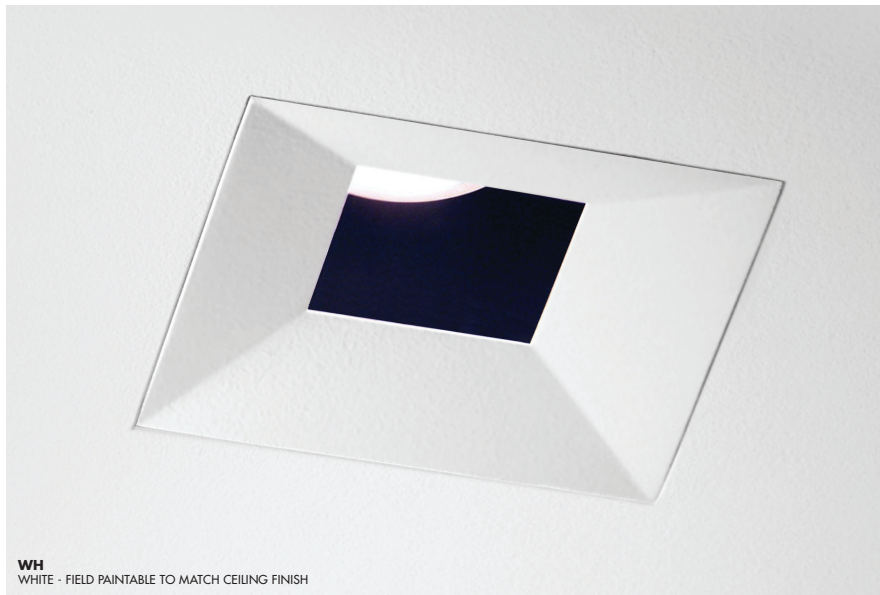
526 Portal Street
Cotati, CA 94931
USA
P 707.794.0888
F 707.795.4379
www.8lighting.com

All No. 8 Lighting fixtures and components are UL/CSA listed. U.S. Patents Pending on the Seamless™ and Inset™ Series trims as well as the type A Lamp Module. No. 8 Lighting reserves the right to change details of design, materials, and finish.

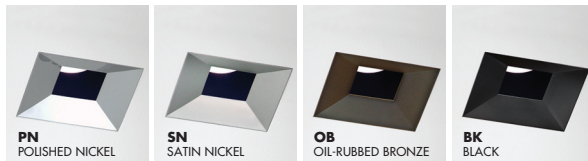
© 2018 No. 8 Lighting
Doc # 91319-11.3



PRODUCT FEATURES



WH
WHITE - FIELD PAINTABLE TO MATCH CEILING FINISH



PN
POLISHED NICKEL

SN
SATIN NICKEL

OB
OIL-RUBBED BRONZE

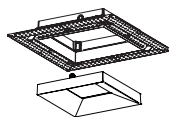
BK
BLACK

Trim Assembly

- **INS-BV-P** trim bevels from finished ceiling to 1/2" above ceiling surface. Designed for sheetrock ceilings with painted or integral color drywall compound/plaster finishes.
- Optimized for use with 800 Series lamp modules: **A, J2/J2S** and **K2/K2S**. Not recommended for use with lamp modules: B, L2/L2S, or M2/M2S.
- Accommodates 1/2" - 1 1/2" thick ceilings. Note: ceiling thicknesses less than 1" require additional 1/2" clearance above housing.
- Die-cast from Zinc alloy for maximum strength, stability, and corrosion resistance.
- Minimal 1 3/4" aperture.
- Unique magnetic trim plate is removable without marring finishes.
- Overlapping and self-leveling plaster ring sandwiches against sheetrock for a strong and fail-proof installation.
- Features field adjustable +/- 5° rotation for squaring trim to other fixtures or nearby walls.
- Works with all Number Eight 800 Series housings.
- Available with optional factory installed lenses for harsh environment and beam modification applications. **All lensed trim plates are rated for use in dry, damp, or wet locations (covered ceiling applications only).**
- Available in many designer finishes including: White, Polished Nickel**, Satin Nickel**, Oil-Rubbed Bronze**, and Black**.

****Lot variations in specialty finishes may occur. Ordering ALL trim kits at the same time is recommended to minimize variations in finishes.**

PRODUCT SPECIFIER/PRODUCT ORDER NUMBER



INS-BV
Trim BEVELS from finished ceiling to 1/2" above
4" SQUARE flangeless
w/ 1 3/4" square aperture

P
PLASTER/SHEETROCK ceiling applications (1/2" minimum - 1 1/4" maximum sheetrock thickness).

1
For 5/32" thick drywall compound or plaster finishes

WH
WHITE - Field paintable to match ceiling finish

PN
POLISHED NICKEL*

SN
SATIN NICKEL*

OB
OIL-RUBBED BRONZE*

BK
BLACK*

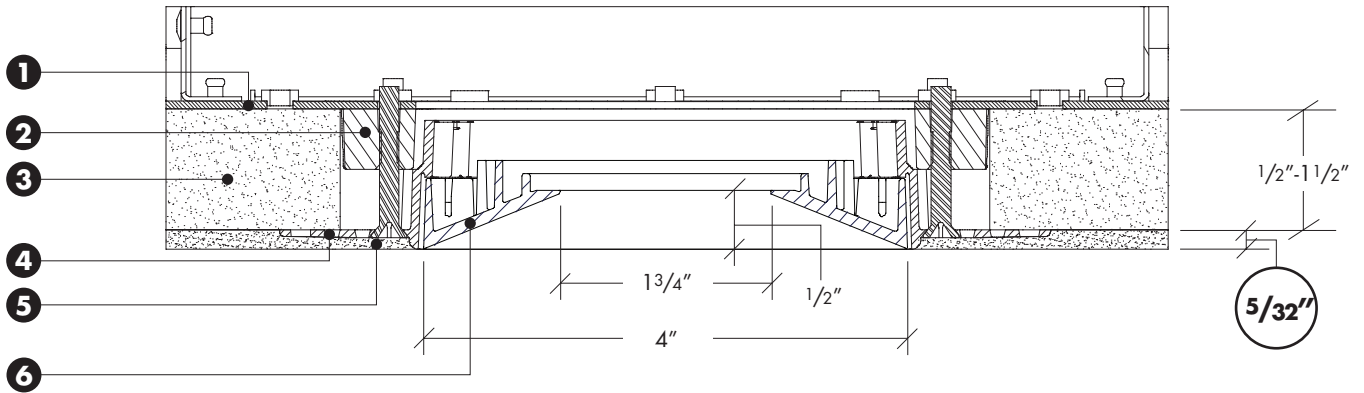
*Specialty finish. Additional lead time required.

CL
CLEAR LENS installed in trim plate*

SF
SOFT FOCUS LENS installed in trim plate*

*Lensed trim plate rated for use in DRY, DAMP, or WET locations (covered ceiling applications only).

TYPE P1 – TRIM ASSEMBLY CROSS SECTION DETAIL – FOR $5/32''$ CEILING FINISH



- 1) Housing**
- 2) Frame** – May be installed before or after sheetrock. Square frame can be rotated 45° for diagonal appearance.
- 3) Sheetrock** – Accommodates all thickness from $1/2''$ to $1\ 1/2''$. Note: ceiling thicknesses less than $1''$ require additional $1/2''$ clearance above housing.
- 4) Inset Mud Ring (type P1 for $5/32''$ ceiling finish)** – Sandwiches against ceiling material. Square inset mud ring may be rotated $\pm 5^\circ$ after sheetrock installation (prior to plastering).
- 5) Ceiling Finish (drywall compound or plaster)** $5/32''$ maximum.
- 6) Trim Plate** – Features unique magnetic attachments. Bevels from finished ceiling to $1/2''$ above.

Note: Cross sections are for illustration purposes only. Refer to P-Series trim installation instructions for complete installation details.