

# TRIM: - SEAMLESS SERIES™/SQUARE

4" TRIM, 2 3/4" APERTURE FOR PLASTER/SHEETROCK CEILING APPLICATIONS


Project Name	
Date	Type
Prepared By	
Comments	
Catalog #	<b>FS - LG - P - - /</b>



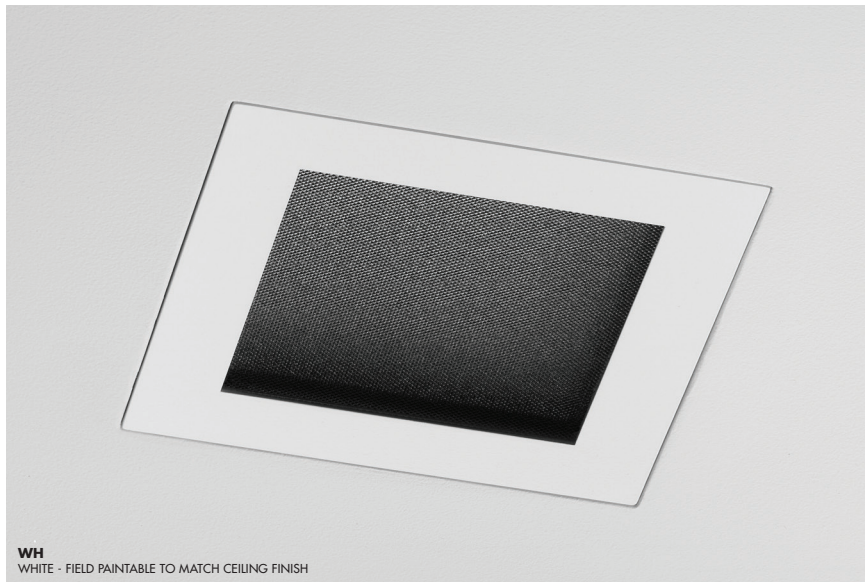
526 Portal Street  
Cotati, CA 94931  
USA  
P 707.794.0888  
F 707.795.4379  
www.8lighting.com

All No. 8 Lighting fixtures and components are UL/CSA listed. U.S. Patents Pending on the Seamless™ and Inset™ Series trims as well as the type A Lamp Module. No. 8 Lighting reserves the right to change details of design, materials, and finish.

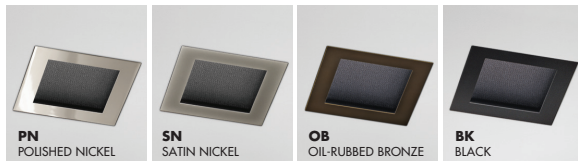
© 2018 No. 8 Lighting  
Doc # 91310-11.3



## PRODUCT FEATURES



**WH**  
WHITE - FIELD PAINTABLE TO MATCH CEILING FINISH



**PN**  
POLISHED NICKEL

**SN**  
SATIN NICKEL

**OB**  
OIL-RUBBED BRONZE

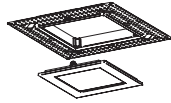
**BK**  
BLACK

### Trim Assembly

- **FS-LG-P** trim designed for flush installation into sheetrock ceilings with painted or integral color drywall compound/plaster finishes.
- Available in two thicknesses to accommodate different ceiling finishing systems. Specify **P-1** for standard 5/32" thick finishes and **P-2** for 5/16" thick finishes.
- Field adjustable to accommodate sheetrock thickness between 1/2" - 1".
- Die-cast from Zinc alloy for maximum strength, stability, and corrosion resistance.
- Minimal 2 3/4" aperture.
- Unique magnetic trim plate is removable without marring finishes.
- Overlapping and self-leveling plaster ring sandwiches against sheetrock for a strong and fail-proof installation.
- Features field adjustable +/- 5° rotation for squaring trim to other fixtures or nearby walls.
- Works with all Number Eight 800 Series housings.
- Includes Solite soft focus lens standard. Available with other lens options or without lens. **All lensed trim plates are rated for use in dry, damp, or wet locations (covered ceiling applications only).**
- Available in many designer finishes including: White, Polished Nickel\*\*, Satin Nickel\*\*, Oil-Rubbed Bronze\*\*, and Black\*\*.

**\*\*Lot variations in specialty finishes may occur. Ordering ALL trim kits at the same time is recommended to minimize variations in finishes.**

## PRODUCT SPECIFIER/PRODUCT ORDER NUMBER

**FS-LG**  
Trim FLUSH w/ finished ceiling  
4" SQUARE flangeless w/ 2 3/4" square aperture  
Solite soft focus lens installed standard

**P**  
PLASTER/SHEETROCK ceiling applications (1/2" minimum - 1" maximum sheetrock thickness).

- 1** For 5/32" thick drywall compound or plaster finishes
- 2** For 5/16" thick drywall compound or plaster finishes

**WH**  
WHITE - Field paintable to match ceiling finish

**PN**  
POLISHED NICKEL\*

**SN**  
SATIN NICKEL\*

**OB**  
OIL-RUBBED BRONZE\*

**BK**  
BLACK\*

\*Specialty finish. Additional lead time required.

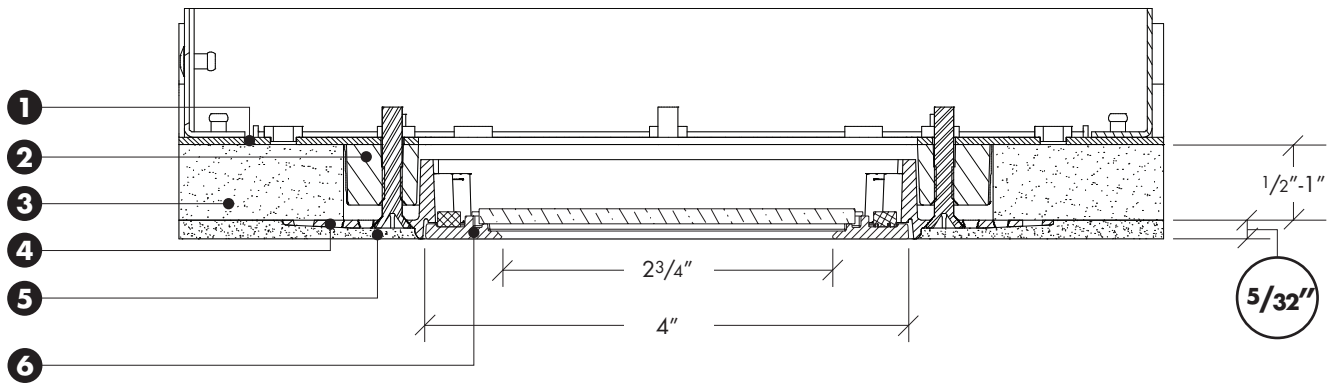
**NL**  
NO LENS installed in trim plate

**CL**  
CLEAR LENS installed in trim plate\*

**WW**  
WALL WASH lens installed in trim plate\*

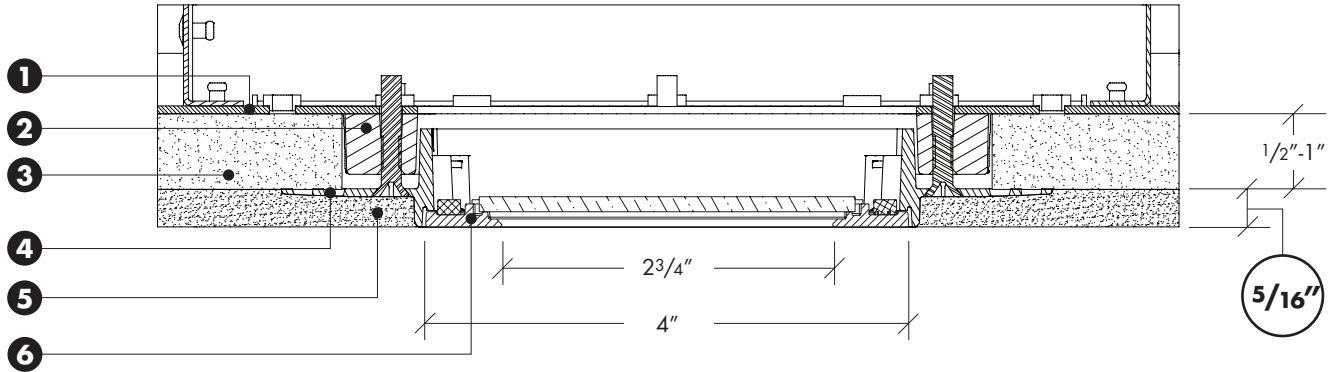
\*Lensed trim plate rated for use in DRY, DAMP, or WET locations (covered ceiling applications only).

TYPE P1 – TRIM ASSEMBLY CROSS SECTION DETAIL – FOR 5/32" CEILING FINISH



- 1) Housing
- 2) Frame – May be installed before or after sheetrock. Square frame can be rotated 45° for diagonal appearance.
- 3) Sheetrock – Accommodates all thickness from 1/2" to 1".
- 4) Flush Mud Ring (type P1 for 5/32" ceiling finish) – Sandwiches against ceiling material. Square flush mud ring may be rotated +/- 5° after sheetrock installation (prior to plastering).
- 5) Ceiling Finish (drywall compound or plaster) 5/32" maximum.
- 6) Trim Plate – Features unique magnetic attachments. Mounts flush to finished ceiling. Includes Solite soft focus lens standard.

TYPE P2 – TRIM ASSEMBLY CROSS SECTION DETAIL – FOR 5/16" CEILING FINISH



- 1) Housing
- 2) Frame – May be installed before or after sheetrock. Square frame can be rotated 45° for diagonal appearance.
- 3) Sheetrock – Accommodates all thickness from 1/2" to 1".
- 4) Flush Mud Ring (type P2 for 5/16" ceiling finish) – Sandwiches against ceiling material. Square flush mud ring may be rotated +/- 5° after sheetrock installation (prior to plastering).
- 5) Ceiling Finish (drywall compound or plaster) 5/16" maximum.
- 6) Trim Plate – Features unique magnetic attachments. Mounts flush to finished ceiling. Includes Solite soft focus lens standard.

**Note:** Cross sections are for illustration purposes only. Refer to P-Series trim installation instructions for complete installation details.