

TRIM: **FLR-W** - SEAMLESS SERIES™ / FLANGED ROUND

4" TRIM, 1 3/4" APERTURE FOR WOOD/STONE/ACOUSTIC TILE/SHEETROCK CEILING APPLICATIONS

Project Name	
Date	Type
Prepared By	
Comments	
Catalog #	FLR - W - /



N^o
eight
LIGHTING

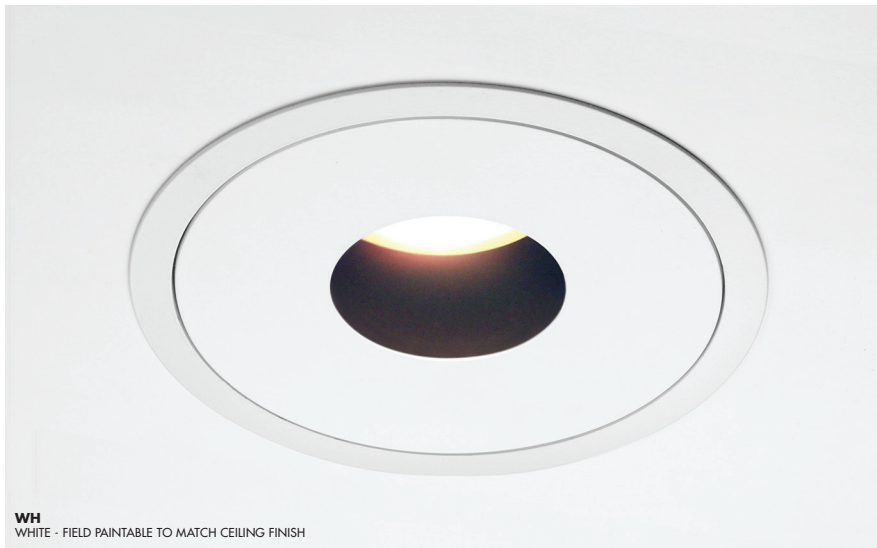
526 Portal Street
Cotati, CA 94931
USA
P 707.794.0888
F 707.795.4379
www.8lighting.com

All No. 8 Lighting fixtures and components are UL/CSA listed. U.S. Patents Pending on the Seamless™ and Inset™ Series trims as well as the type A Lamp Module. No. 8 Lighting reserves the right to change details of design, materials, and finish.

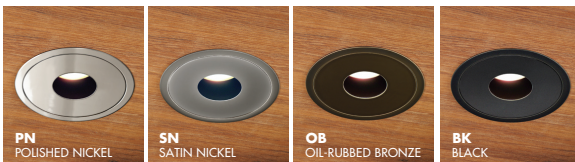
© 2018 No. 8 Lighting
Doc # 91308-11.3



PRODUCT FEATURES



WH
WHITE - FIELD PAINTABLE TO MATCH CEILING FINISH

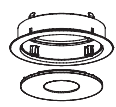


Trim Assembly

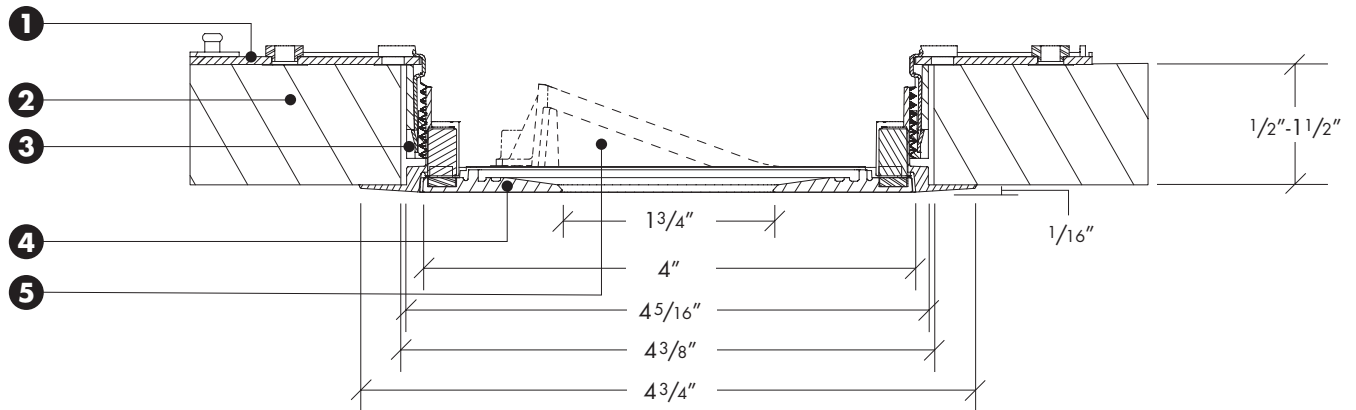
- **FLR-W** flanged trim designed for wood, stone, acoustic tile, or sheetrock ceilings.
- 4" trim plate with minimal 1 3/4" aperture installs flush with the finished ceiling.
- Field adjustable to accommodate ceiling thickness between 1/2" - 1 1/2".
- Die-cast from Zinc alloy for maximum strength, stability, and corrosion resistance.
- Unique magnetic trim plate is removable without marring finishes.
- 4 3/4" wide flanged trim overlaps 4 3/8" ceiling cutout. Height and rotation can be adjusted before or after ceiling installation.
- Works with all Number Eight 800 Series housings.
- Available with optional factory installed lenses for harsh environment and beam modification applications. **All lensed trim plates are rated for use in dry, damp, or wet locations (covered ceiling applications only).**
- Available in many designer finishes including: White, Polished Nickel**, Satin Nickel**, Oil-Rubbed Bronze**, and Black**.

****Lot variations in specialty finishes may occur. Ordering ALL trim kits at the same time is recommended to minimize variations in finishes.**

PRODUCT SPECIFIER/PRODUCT ORDER NUMBER

FLR	-	W	-	/	
TRIM ASSEMBLY	+	TRIM APPLICATION	+	/	LENS OPTIONS
 <p>FLR 4" ROUND trim plate w/ 1 3/4" aperture installs flush with 4 3/4" FLANGED trim</p>	<p>W WOOD/STONE/ACOUSTIC TILE/SHEETROCK ceiling applications (1/2" min - 1 1/2" max)</p>	<p>WH WHITE - Field paintable to match ceiling finish</p> <p>PN POLISHED NICKEL*</p> <p>SN SATIN NICKEL*</p> <p>OB OIL-RUBBED BRONZE*</p> <p>BK BLACK*</p> <p><small>*Specialty finish. Additional lead time required.</small></p>	<p>CL CLEAR lens</p> <p>SF SOFT FOCUS lens</p> <p>WW WALL WASH lens (for use with INCANDESCENT lamp module A).</p> <p>WW-8 WALL WASH accessory (for use with LED lamp modules J, J2, + J2S)</p> <p><small>Lensed trims and WW-8 accessory are rated for use in DRY, DAMP, or WET locations (covered ceiling applications only).</small></p>		

TRIM ASSEMBLY CROSS SECTION DETAIL



- 1) Housing**
- 2) Wood/Stone/Acoustic Tile Ceiling Material** – Accommodates all thickness from 1/2" to 1 1/2".
- 3) Flanged Flush Trim Kit** – 4 3/4" wide flanged trim overlaps 4 3/8" ceiling cut out. Height and rotation can be adjusted before or after ceiling installation.
- 4) Trim Plate** – Features unique magnetic attachments. Mounts flush to finished ceiling.
- 5) WW-8** – Wall Wash Accessory (optional) - For use with Model J, J2, or J2S LED lamp modules.

Note: Cross sections are for illustration purposes only. Refer to W-Series trim installation instructions for complete installation details.