


TRIM: - SEAMLESS SERIES™/ROUND

4" TRIM, 1 3/4" APERTURE FOR PLASTER/SHEETROCK CEILING APPLICATIONS

Project Name	
Date	Type
Prepared By	
Comments	
Catalog #	FR - P - - /




N^o
eight
LIGHTING

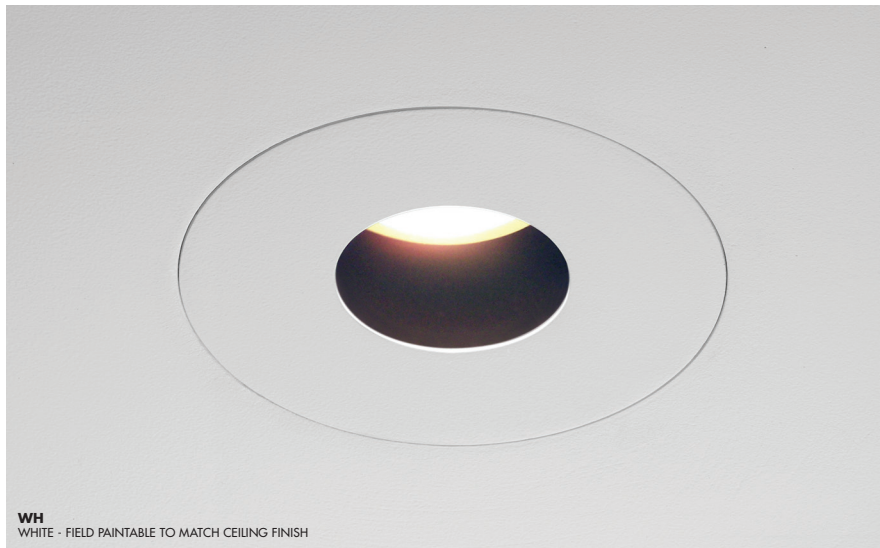
526 Portal Street
Cotati, CA 94931
USA
P 707.794.0888
F 707.795.4379
www.8lighting.com

All No. 8 Lighting fixtures and components are UL/CSA listed. U.S. Patents Pending on the Seamless™ and Inset™ Series trims as well as the Type A Lamp Module. No. 8 Lighting reserves the right to change details of design, materials, and finish.

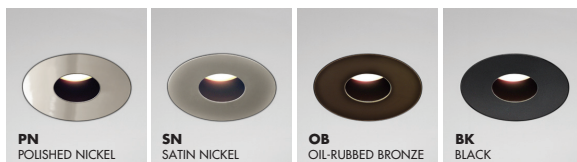
© 2018 No. 8 Lighting
Doc # 91302-11.3



PRODUCT FEATURES



WH
WHITE - FIELD PAINTABLE TO MATCH CEILING FINISH



PN
POLISHED NICKEL

SN
SATIN NICKEL

OB
OIL-RUBBED BRONZE

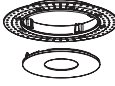
BK
BLACK

Trim Assembly

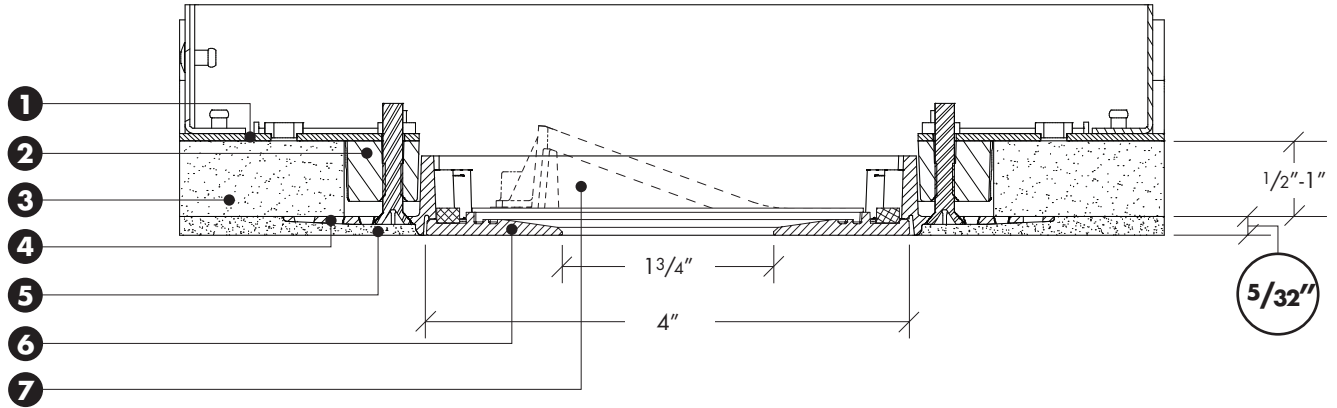
- **FR-P** trim designed for flush installation into sheetrock ceilings with painted or integral color drywall compound/plaster finishes.
- Available in two thicknesses to accommodate different ceiling finishing systems. Specify **P-1** for standard 5/32" thick finishes and **P-2** for 5/16" thick finishes.
- Field adjustable to accommodate sheetrock thickness between 1/2" - 1".
- Die-cast from Zinc alloy for maximum strength, stability, and corrosion resistance.
- Minimal 1 3/4" aperture.
- Unique magnetic trim plate is removable without marring finishes.
- Overlapping and self-leveling plaster ring sandwiches against sheetrock for a strong and fail-proof installation.
- Works with all Number Eight 800 Series housings.
- Available with optional factory installed lenses for harsh environment and beam modification applications. **All lensed trim plates are rated for use in dry, damp, or wet locations (covered ceiling applications only).**
- Available in many designer finishes including: White, Polished Nickel**, Satin Nickel**, Oil-Rubbed Bronze**, and Black**.

****Lot variations in specialty finishes may occur. Ordering ALL trim kits at the same time is recommended to minimize variations in finishes.**

PRODUCT SPECIFIER/PRODUCT ORDER NUMBER

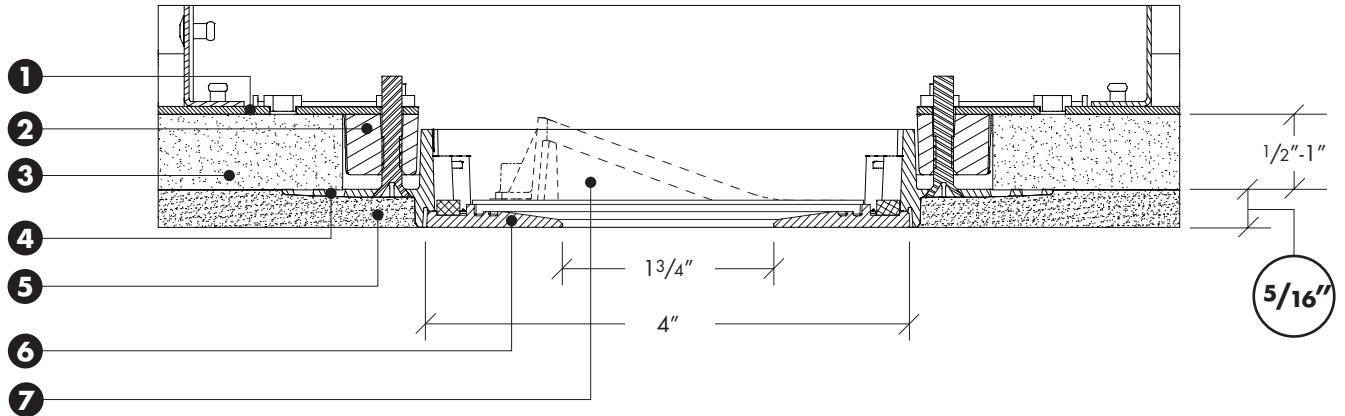
FR	+	P	+	1	+	WH	/	CL
TRIM ASSEMBLY		TRIM APPLICATION		FINISH THICKNESS		TRIM FINISH		LENS OPTIONS
 <p>FR Trim FLUSH w/ finished ceiling 4" ROUND flangeless w/ 1 3/4" round aperture</p>		<p>P PLASTER/SHEETROCK ceiling applications (1/2" minimum - 1" maximum sheetrock thickness).</p>		<p>1 For 5/32" thick drywall compound or plaster finishes</p> <p>2 For 5/16" thick drywall compound or plaster finishes</p>		<p>WH WHITE - Field paintable to match ceiling finish</p> <p>PN POLISHED NICKEL*</p> <p>SN SATIN NICKEL*</p> <p>OB OIL-RUBBED BRONZE*</p> <p>BK BLACK*</p> <p><small>*Specialty finish. Additional lead time required.</small></p>		<p>CL CLEAR lens</p> <p>SF SOFT FOCUS lens</p> <p>WW WALL WASH lens (for use with INCANDESCENT lamp module A).</p> <p>WW-8 WALL WASH accessory (for use with LED lamp modules J, J2, + J2S)</p> <p><small>Lensed trims and WW-8 accessory are rated for use in DRY, DAMP, or WET locations (covered ceiling applications only).</small></p>

TYPE P1 – TRIM ASSEMBLY CROSS SECTION DETAIL – FOR 5/32" CEILING FINISH



- 1) Housing
- 2) Frame – May be installed before or after sheetrock. Square frame can be rotated 45° for diagonal appearance.
- 3) Sheetrock – Accommodates all thickness from 1/2" to 1".
- 4) Flush Mud Ring (type P1 for 5/32" ceiling finish) – Sandwiches against ceiling material. Square flush mud ring may be rotated +/- 5° after sheetrock installation (prior to plastering).
- 5) Ceiling Finish (drywall compound or plaster) 5/32".
- 6) Trim Plate – Features unique magnetic attachments. Mounts flush to finished ceiling.
- 7) WW-8 – Wall Wash Accessory (optional) - For use with Model J, J2, or J2S LED lamp modules.

TYPE P2 – TRIM ASSEMBLY CROSS SECTION DETAIL – FOR 5/16" CEILING FINISH



- 1) Housing
- 2) Frame – May be installed before or after sheetrock. Square frame can be rotated 45° for diagonal appearance.
- 3) Sheetrock – Accommodates all thickness from 1/2" to 1".
- 4) Flush Mud Ring (type P2 for 5/16" ceiling finish) – Sandwiches against ceiling material. Square flush mud ring may be rotated +/- 5° after sheetrock installation (prior to plastering).
- 5) Ceiling Finish (drywall compound or plaster) 5/16".
- 6) Trim Plate – Features unique magnetic attachments. Mounts flush to finished ceiling.
- 7) WW-8 – Wall Wash Accessory (optional) - For use with Model J, J2, or J2S LED lamp modules.

Note: Cross sections are for illustration purposes only. Refer to P-Series trim installation instructions for complete installation details.